



US00D874768S

(12) **United States Design Patent**
Rodgers, Jr.

(10) **Patent No.:** **US D874,768 S**

(45) **Date of Patent:** **** Feb. 4, 2020**

(54) **LAUNDRY HAMPER**

(71) Applicant: **Michael D Rodgers, Jr.**, Carlsbad, CA
(US)

(72) Inventor: **Michael D Rodgers, Jr.**, Carlsbad, CA
(US)

(**) Term: **15 Years**

(21) Appl. No.: **29/631,714**

(22) Filed: **Jan. 2, 2018**

(51) **LOC (12) Cl.** **09-04**

(52) **U.S. Cl.**
USPC **D32/37**

(58) **Field of Classification Search**
USPC D32/35, 37, 53; D3/201, 304, 305, 306,
D3/307, 308, 309, 312, 314; D9/420,
D9/423, 501, 721, 742; D34/5, 6, 11
CPC . D06F 95/004; D06F 95/002; B65B 67/1244;
B65B 67/1205; A47B 61/00; B62B 3/106;
B62B 3/02; A47G 25/0685

See application file for complete search history.

(56) **References Cited**

U.S. PATENT DOCUMENTS

D290,179 S *	6/1987	Peltola	D3/309
D326,552 S *	5/1992	Goodell	D3/312
D344,378 S *	2/1994	Wolff	D32/37
D344,823 S *	3/1994	Wilgus	D32/37
D351,266 S *	10/1994	Licari	D32/37
D372,583 S *	8/1996	Brightbill	D3/312
D389,621 S *	1/1998	Short	D32/37
D392,431 S *	3/1998	Schallern	D32/37
D425,275 S *	5/2000	Delouvre	D32/37
D433,548 S *	11/2000	Baines	D32/37
D462,149 S *	8/2002	Hall	D32/37

D466,301 S *	12/2002	Sofy	D3/307
D474,603 S *	5/2003	Berenguer	D3/307
D550,912 S *	9/2007	Kempske	D32/37
D563,620 S *	3/2008	Dong	D32/37
D584,020 S *	12/2008	McNamara	D32/37
D589,664 S *	3/2009	Simas	D32/37
D593,719 S *	6/2009	McNamara	D32/37
8,025,174 B2 *	9/2011	Martheenal	B65D 21/0216 206/510
8,727,172 B2 *	5/2014	Burgess	D06F 95/002 220/532
D760,462 S *	6/2016	Kellogg	D3/304
10,167,591 B1 *	1/2019	Rodgers, Jr.	D06F 95/002
2007/0062960 A1 *	3/2007	Splain	A45C 3/04 220/669

* cited by examiner

Primary Examiner — Michelle E. Wilson

(57) **CLAIM**

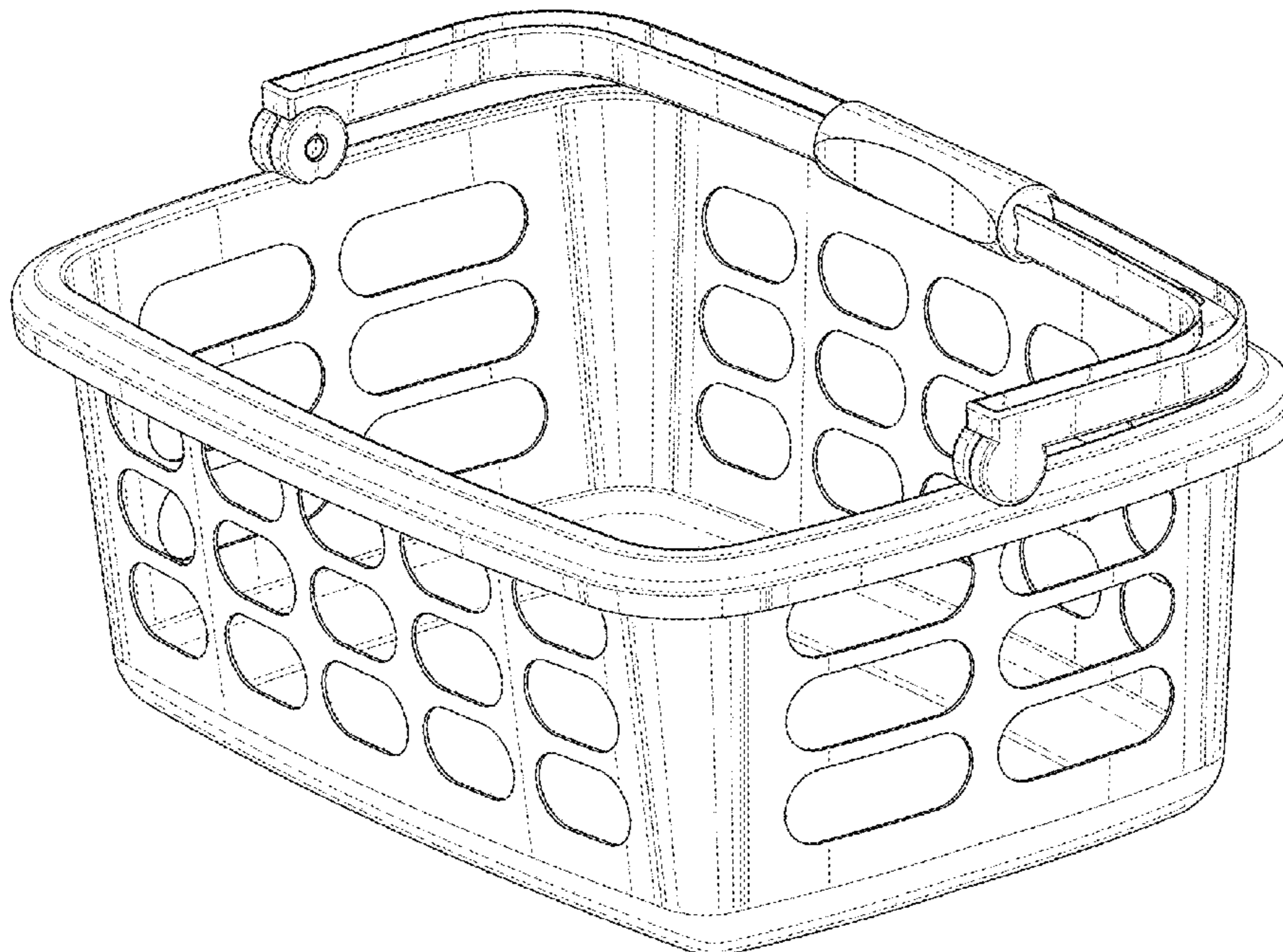
An ornamental design for a laundry hamper, as shown and described.

DESCRIPTION

FIG. 1 is a front perspective view of a laundry hamper showing my new design;
FIG. 2 is a front view thereof;
FIG. 3 is a rear view thereof;
FIG. 4 is a left side view thereof;
FIG. 5 is a right side view thereof;
FIG. 6 is a top view thereof; and,
FIG. 7 is a bottom view thereof.

The solid line showing illustrates the claimed features within the design for the claimed article of manufacture. The shading is provided to illustrate contour only and is not an indication of texture, or gloss.

1 Claim, 7 Drawing Sheets



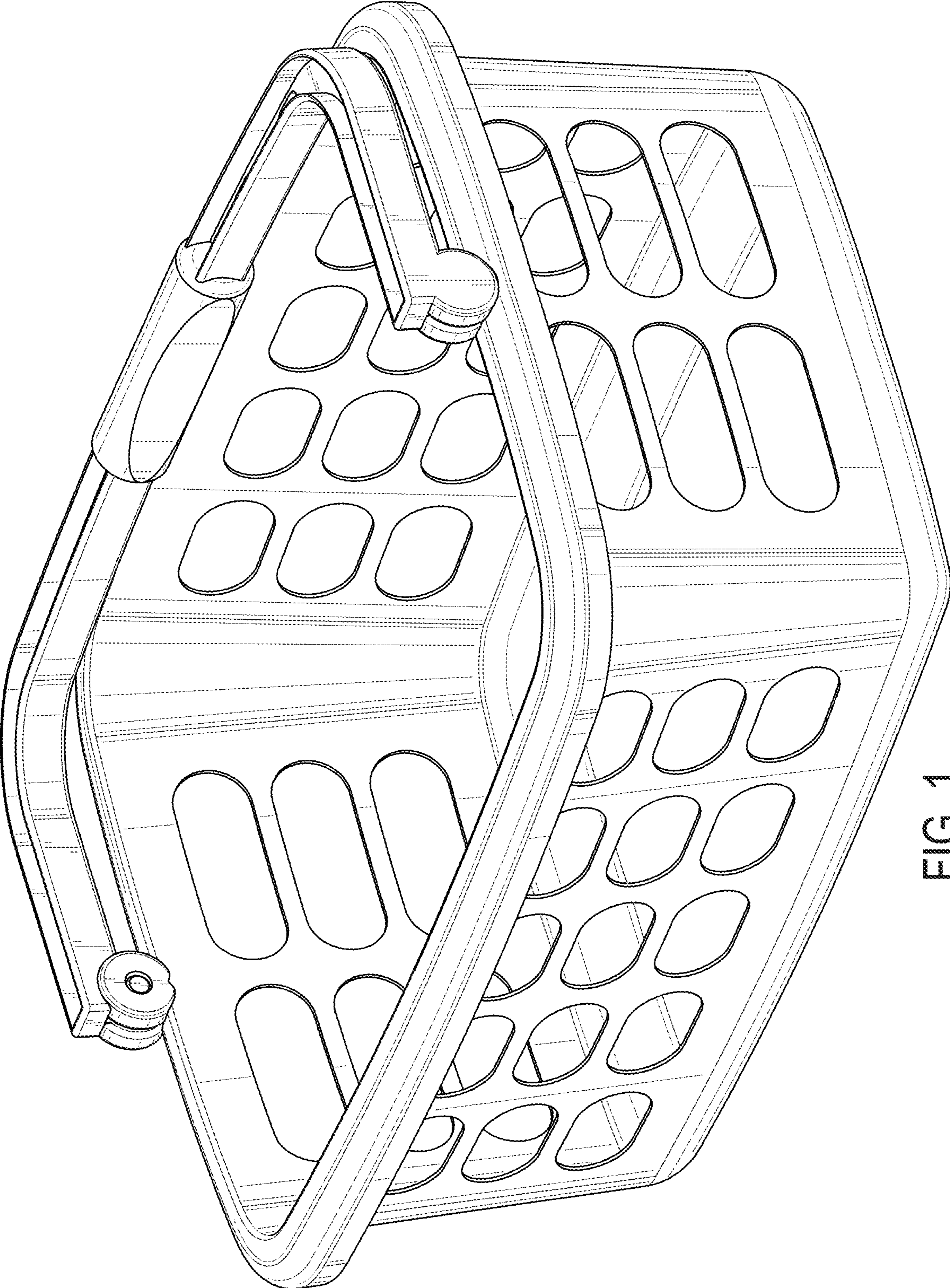


FIG. 1

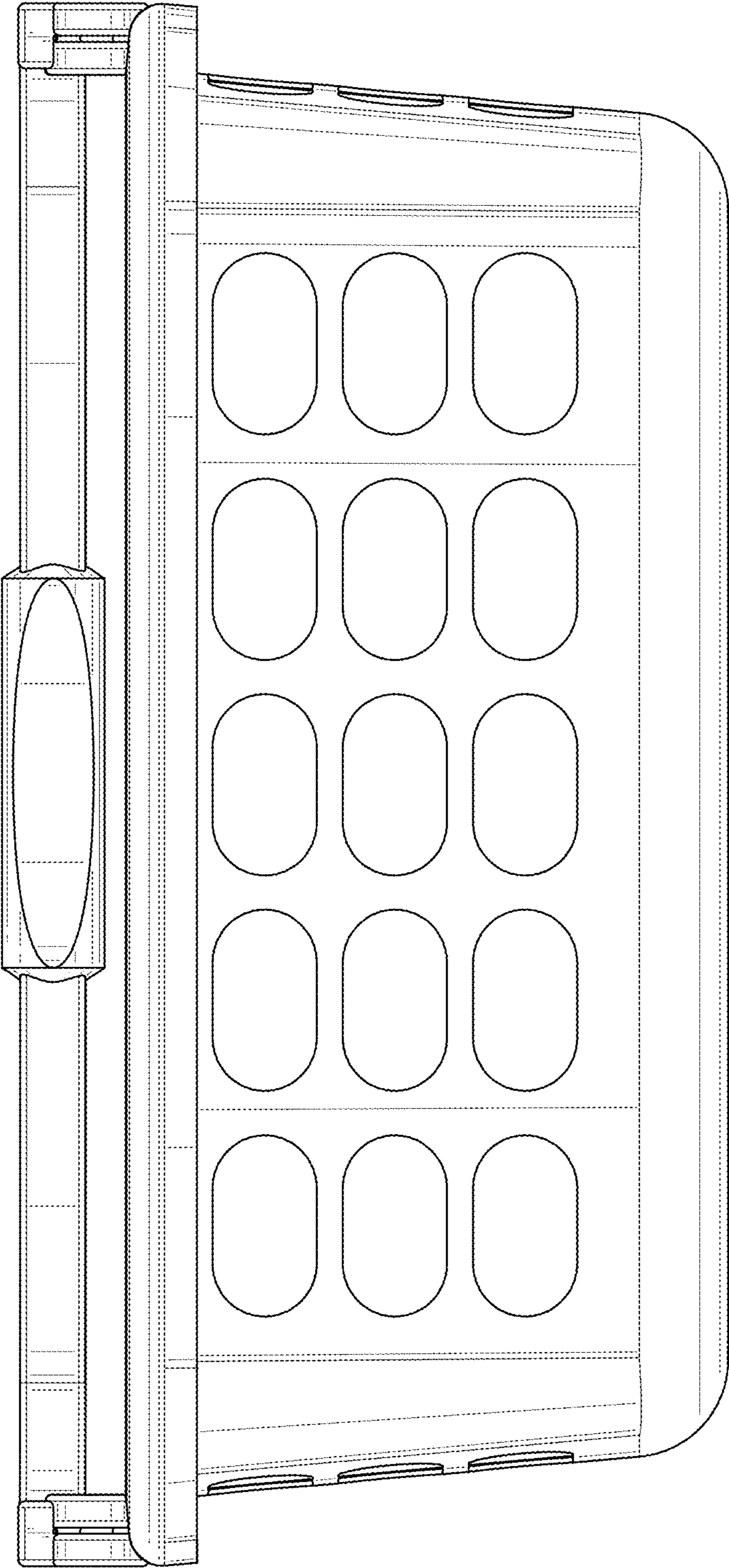


FIG. 2

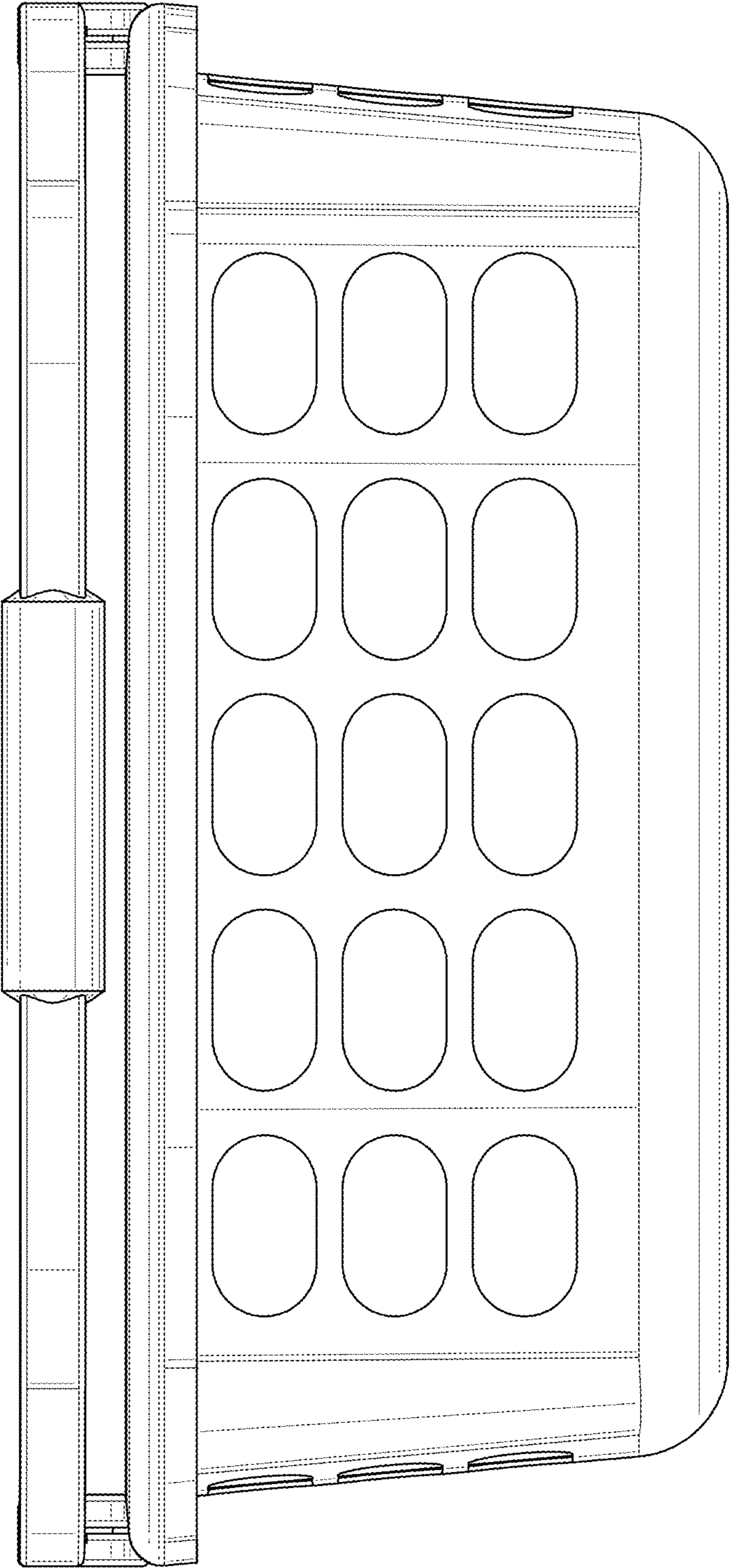


FIG. 3

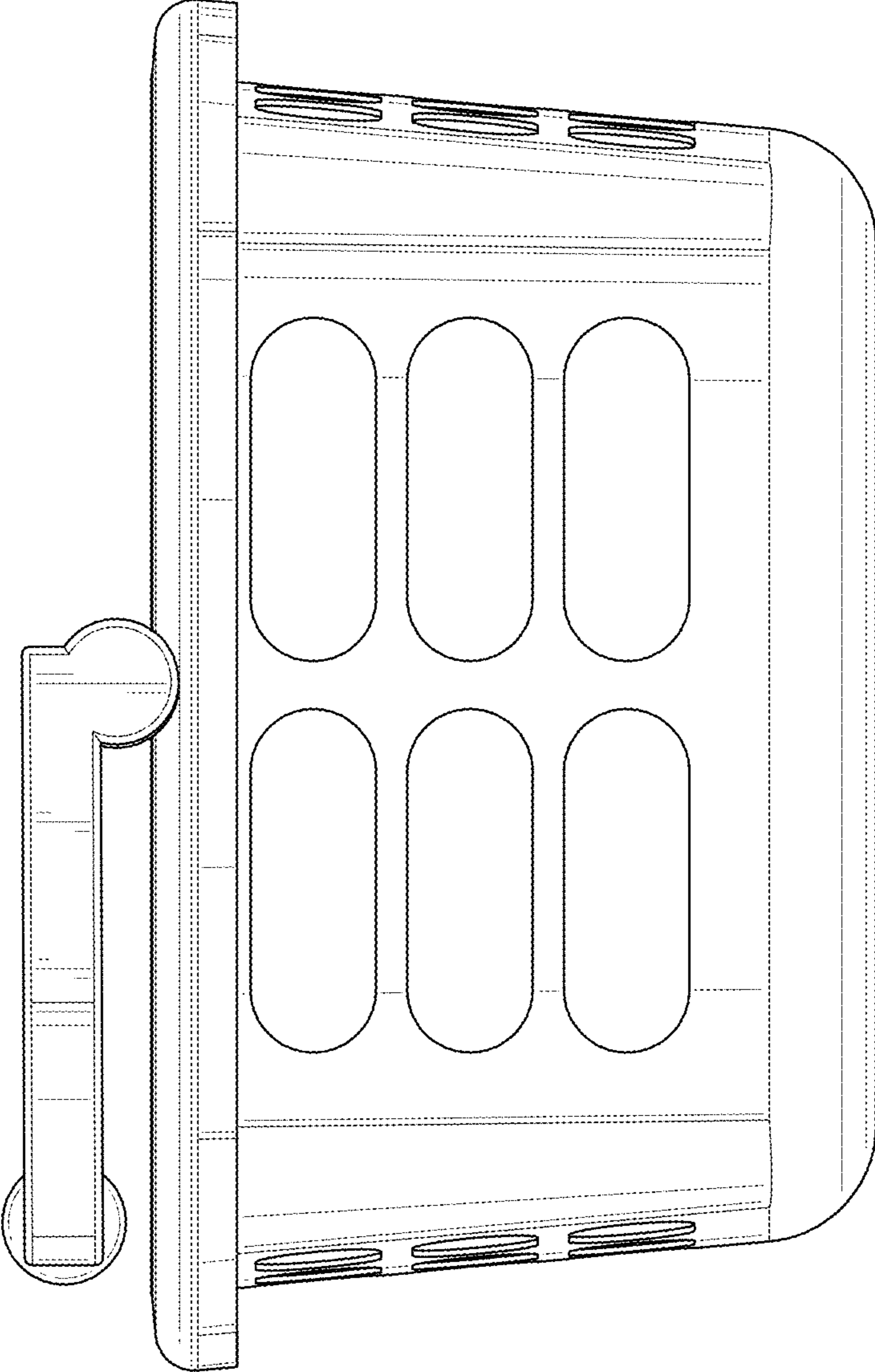


FIG. 4

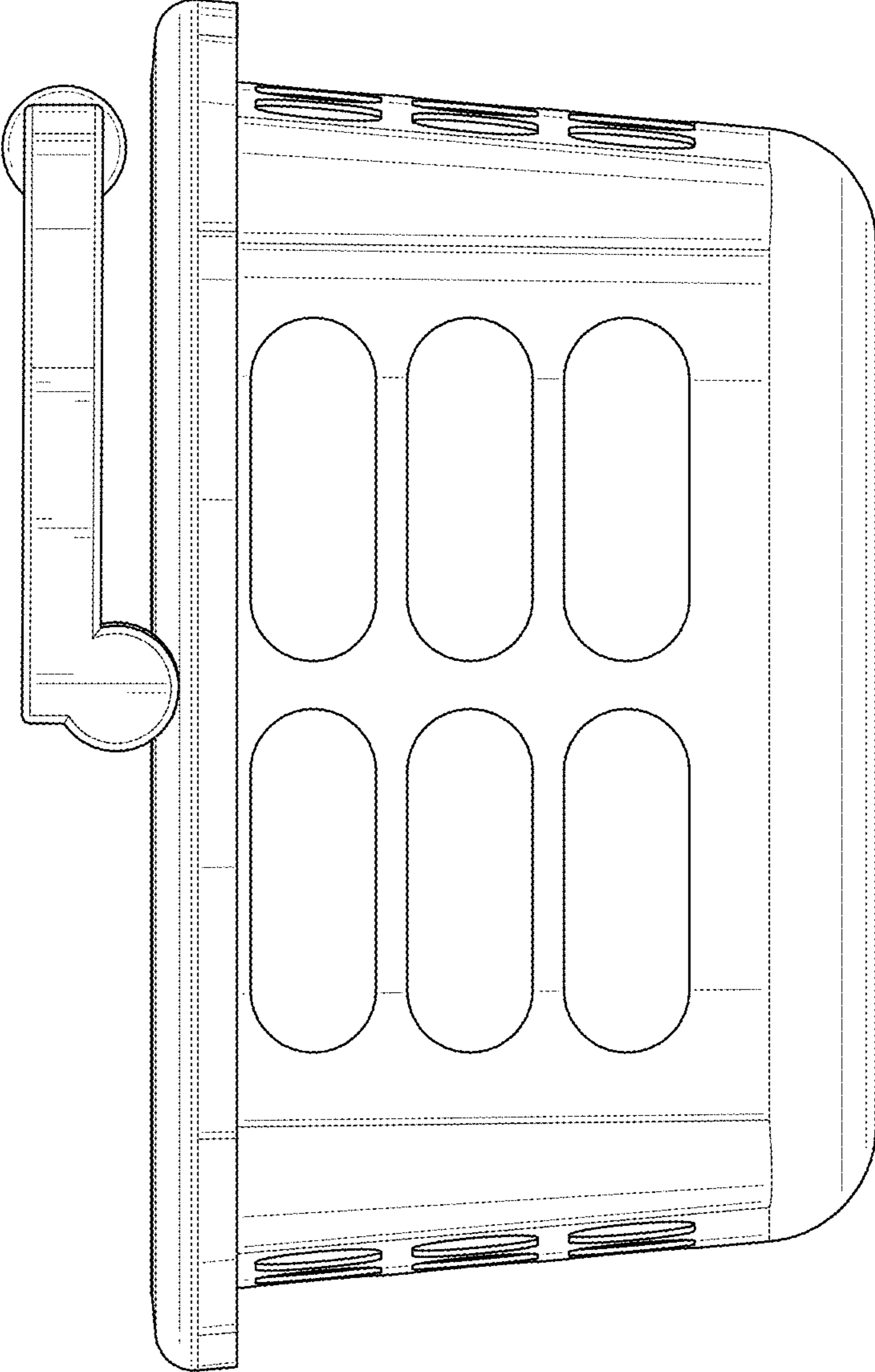


FIG. 5

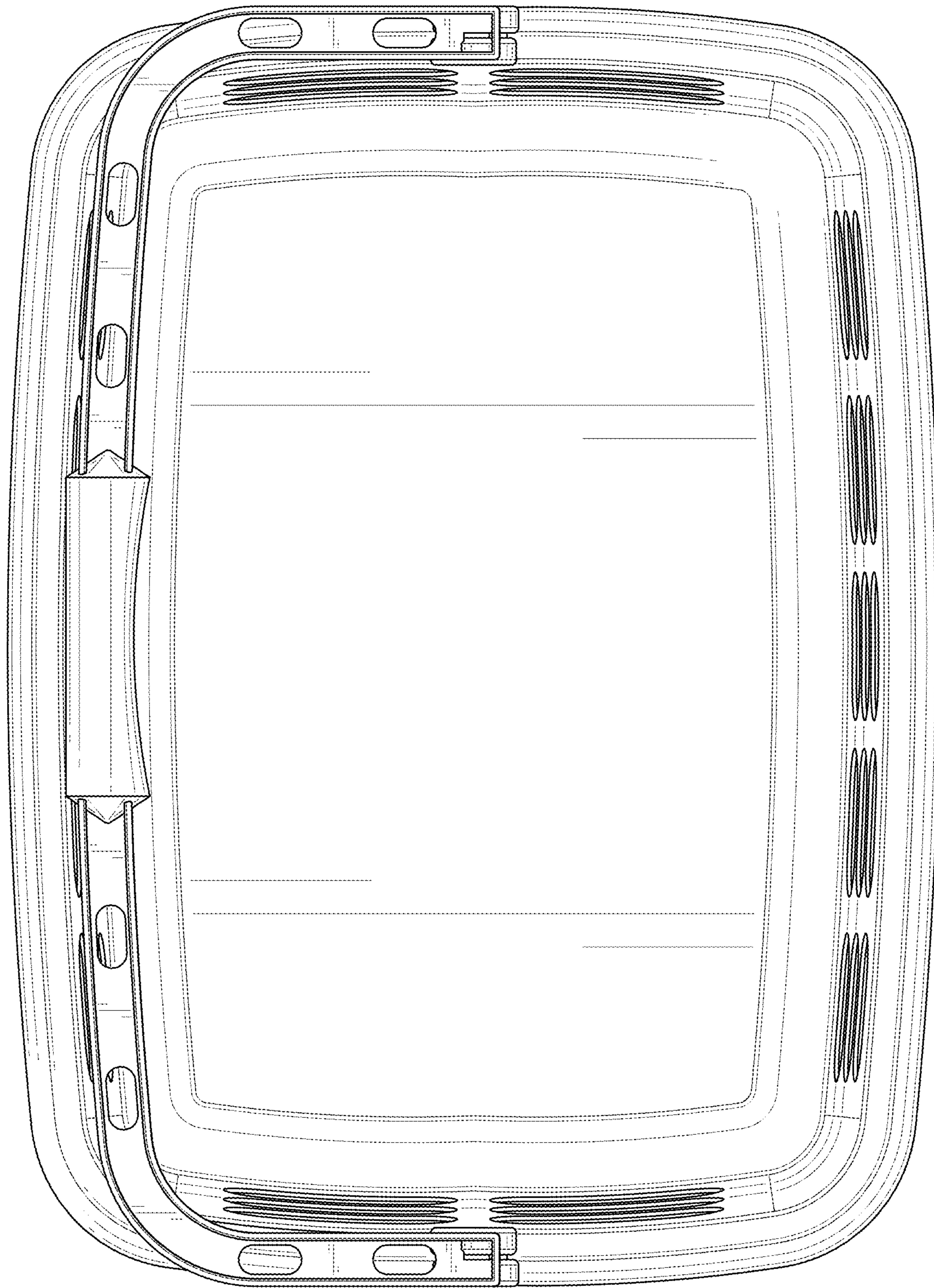


FIG. 6

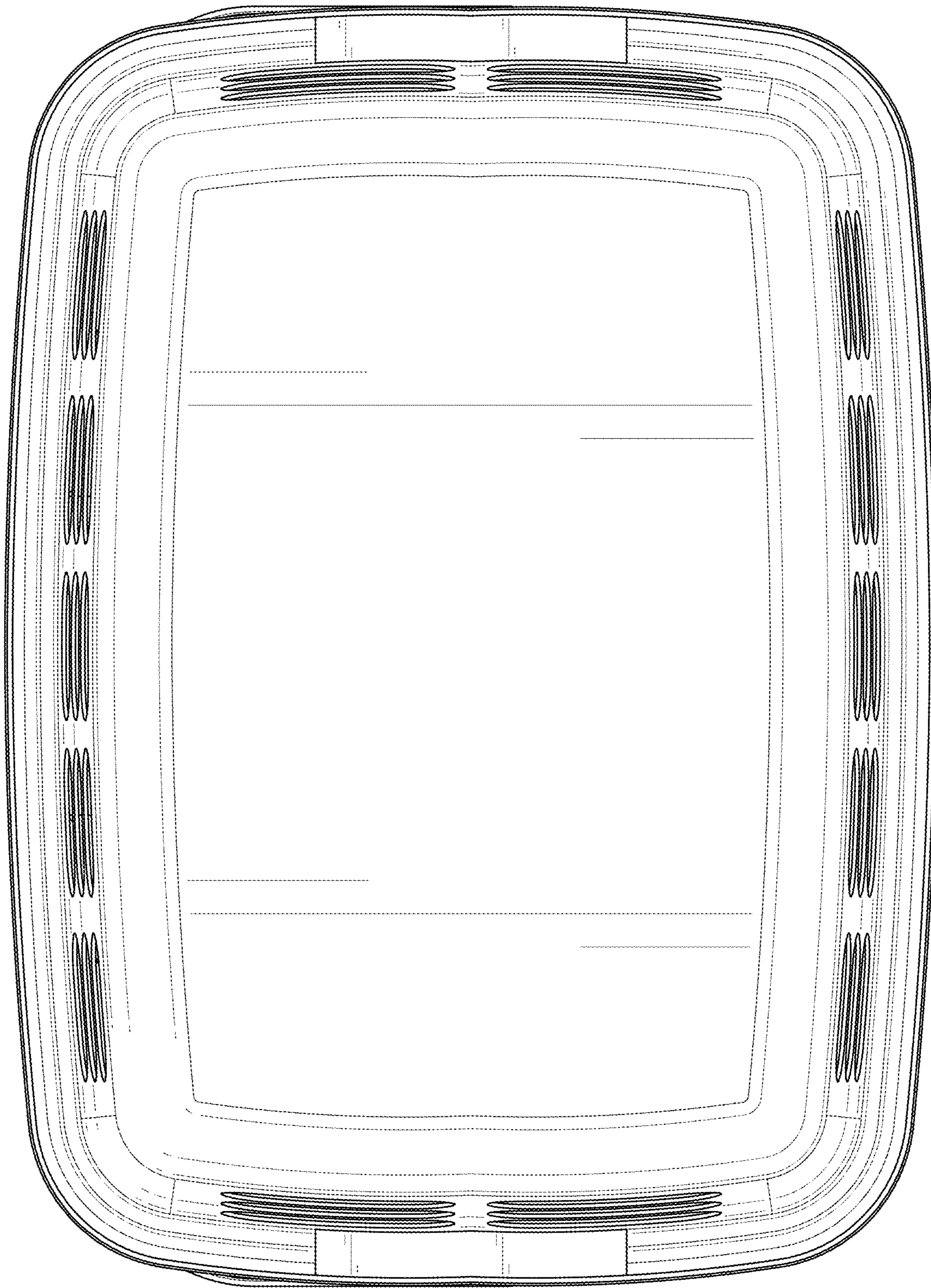


FIG. 7