



US00D874767S

(12) **United States Design Patent**
Chavana, Jr. et al.

(10) **Patent No.:** **US D874,767 S**

(45) **Date of Patent:** **** Feb. 4, 2020**

(54) **SURFACE CLEANING HEAD**

(71) Applicant: **Rug Doctor, LLC**, Plano, TX (US)

(72) Inventors: **Ernest Matthew Chavana, Jr.**, Villa Ridge, MO (US); **Richard Foster**, Powell, OH (US); **Stanley Anderson**, Fenton, MO (US); **Christopher Terpstra**, Frisco, TX (US); **Jan Valentic**, Plano, TX (US); **Xintao Ma**, Suzhou (CN)

(73) Assignee: **RUG DOCTOR, LLC**, Plano, TX (US)

(**) Term: **15 Years**

(21) Appl. No.: **29/618,147**

(22) Filed: **Sep. 19, 2017**

(51) **LOC (12) Cl.** **15-05**

(52) **U.S. Cl.**
USPC **D32/33**

(58) **Field of Classification Search**
USPC D32/31-33
CPC . A47L 9/02; A47L 9/04; A47L 9/0461; A47L 9/0693; A47L 9/0626; A47L 7/0009; B65G 51/00; B08B 9/0813; B08B 9/0808; B08B 3/024; B08B 5/04
See application file for complete search history.

(56) **References Cited**

U.S. PATENT DOCUMENTS

D215,875 S * 11/1969 Hoadley D32/32
D239,243 S * 3/1976 Hachtmann D32/32

D264,139 S * 4/1982 Pearman, Jr. D32/33
D289,336 S * 4/1987 Fitzwater D32/32
D289,337 S * 4/1987 Fitzwater D32/32
D296,372 S * 6/1988 Toney D32/32
D306,788 S * 3/1990 McAllister D32/32
D506,046 S * 6/2005 Schroter D32/32
D590,112 S * 4/2009 Sun D32/32
D621,112 S * 8/2010 Benacquisto D32/33
D624,717 S * 9/2010 Roschi D32/32
D674,978 S * 1/2013 Hill D32/32
D701,011 S * 3/2014 Miller D32/32
D767,224 S * 9/2016 Santiago D32/32
D780,392 S * 2/2017 Mikula D32/32
D793,638 S * 8/2017 LaBarbera D32/32
D830,023 S * 10/2018 Kantas D32/32
D852,443 S * 6/2019 Martin D32/33

* cited by examiner

Primary Examiner — Ruth McInroy

(74) *Attorney, Agent, or Firm* — Hauptman Ham, LLP

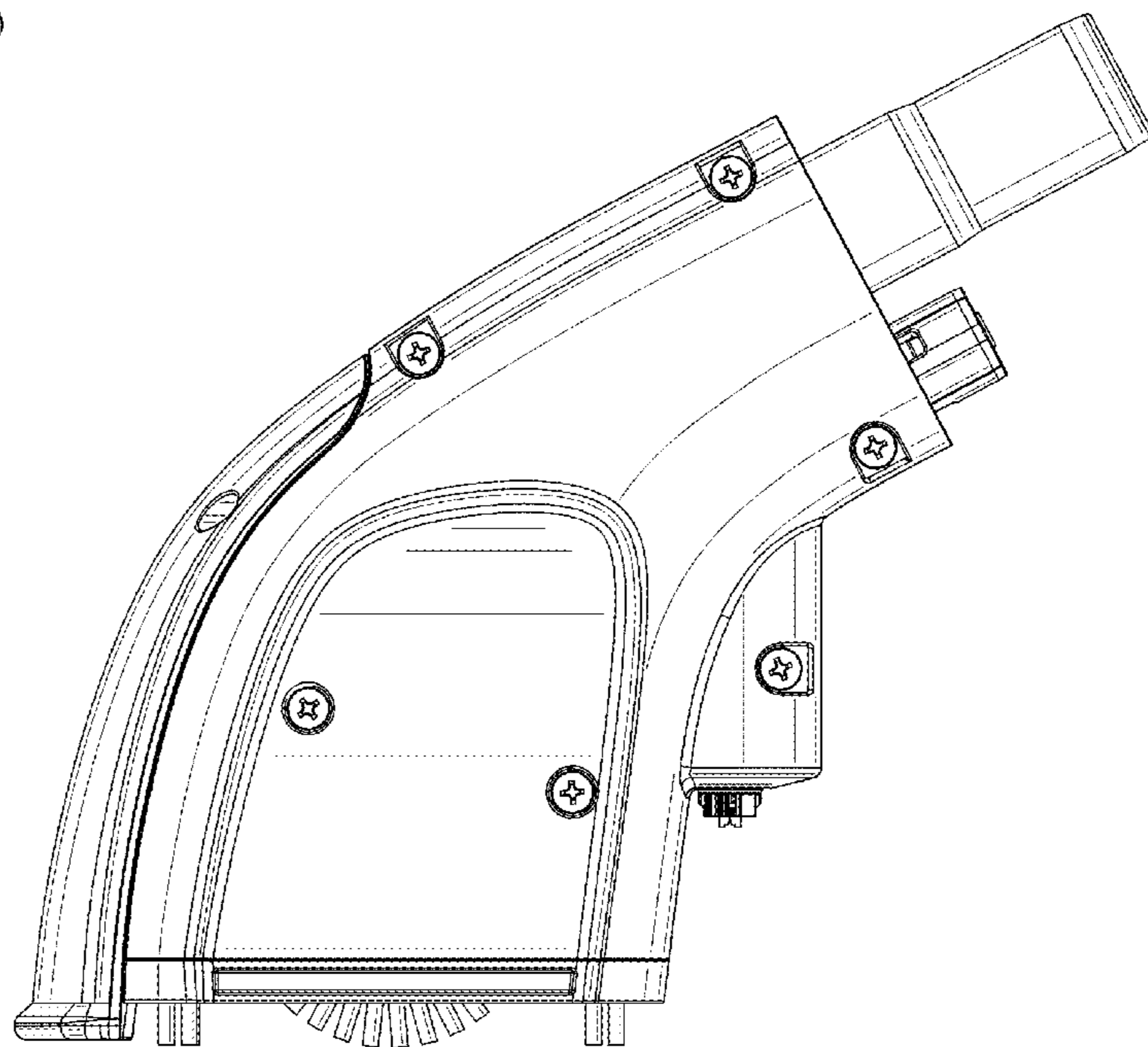
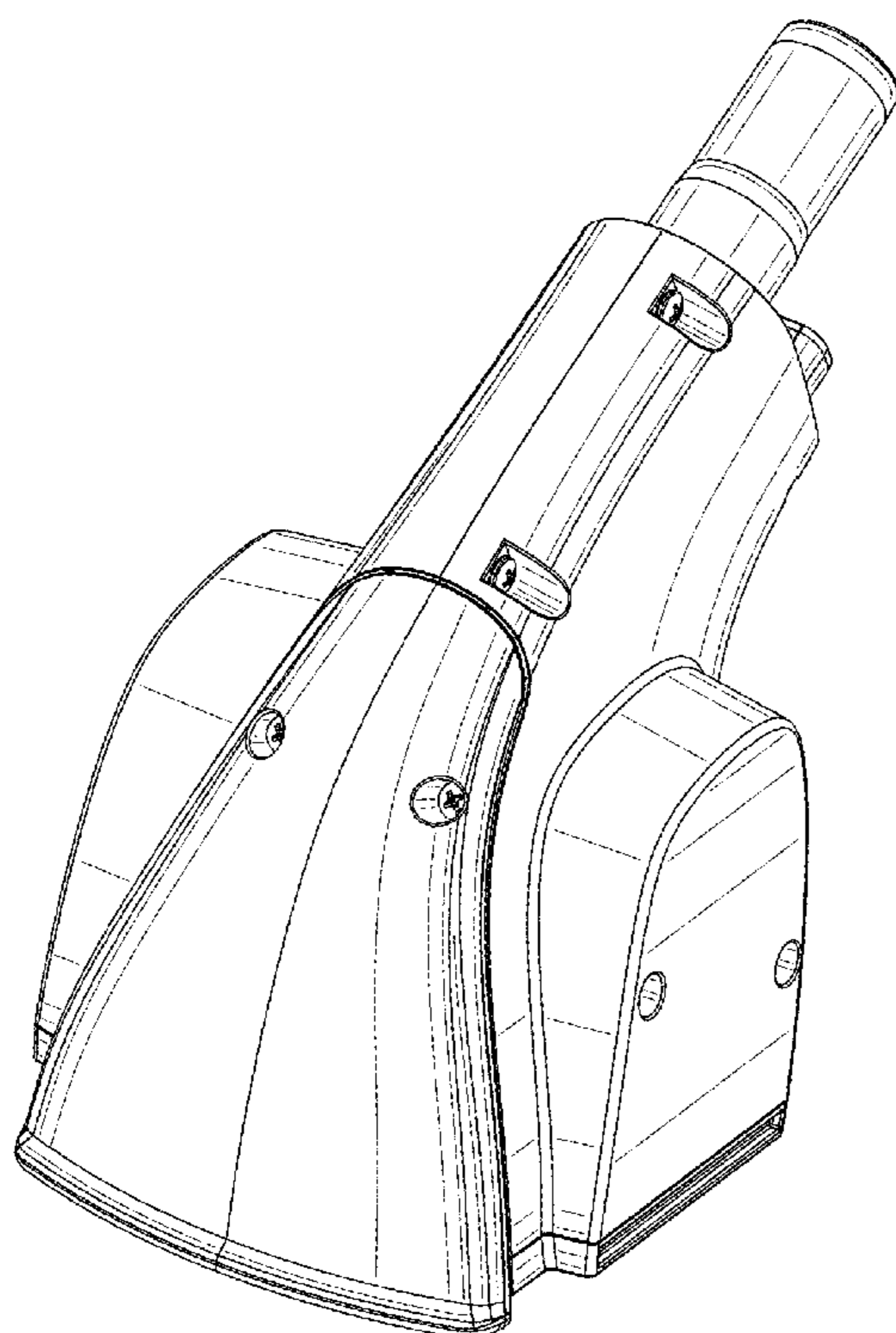
(57) **CLAIM**

The ornamental design for a surface cleaning head, as shown and described.

DESCRIPTION

FIG. 1 is a perspective view of a surface cleaning head showing our new design;
FIG. 2 is a front view thereof;
FIG. 3 is a rear view thereof;
FIG. 4 is a left side view thereof;
FIG. 5 is a right side view thereof;
FIG. 6 is a top view thereof; and,
FIG. 7 is a bottom view thereof.

1 Claim, 7 Drawing Sheets



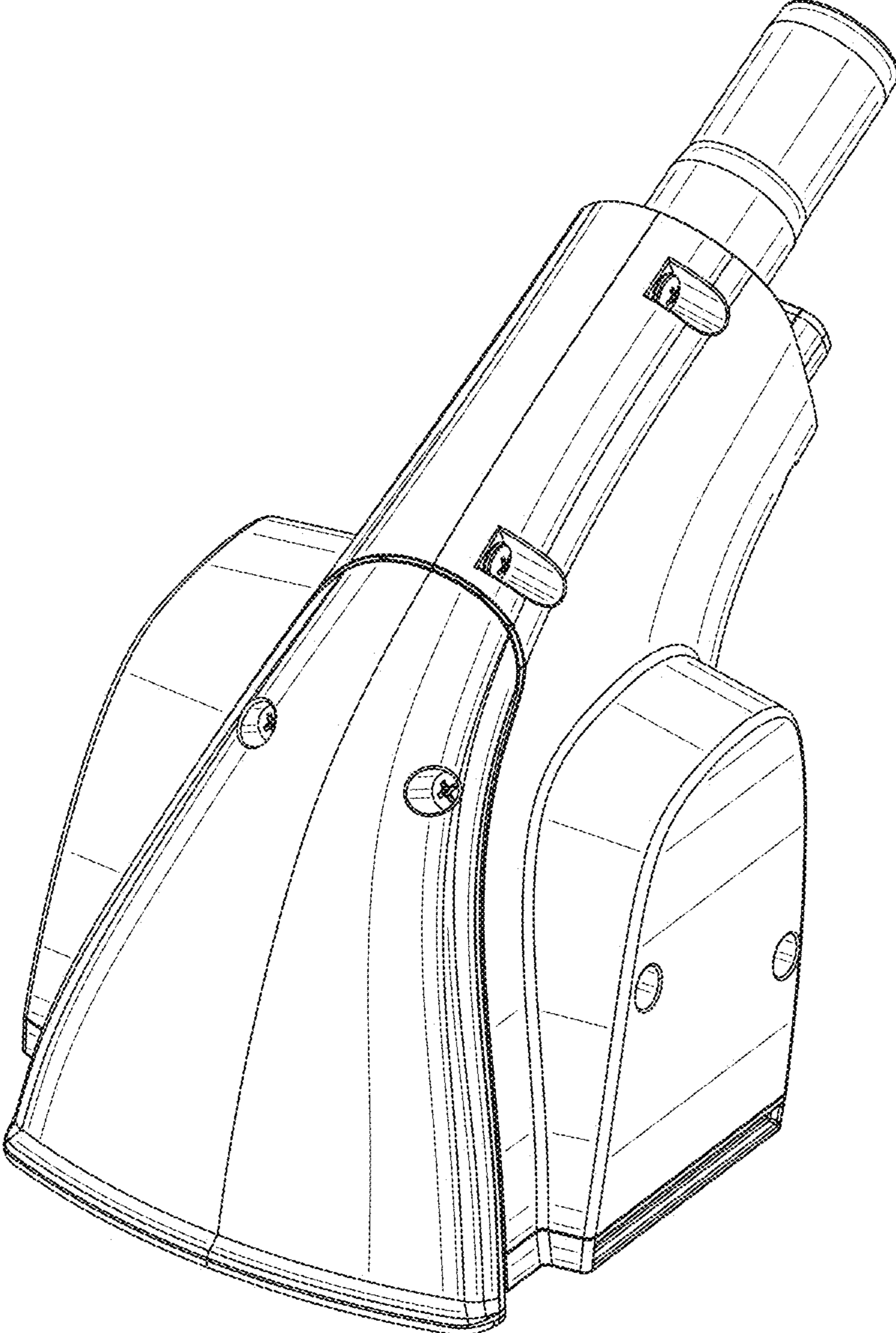


FIG. 1

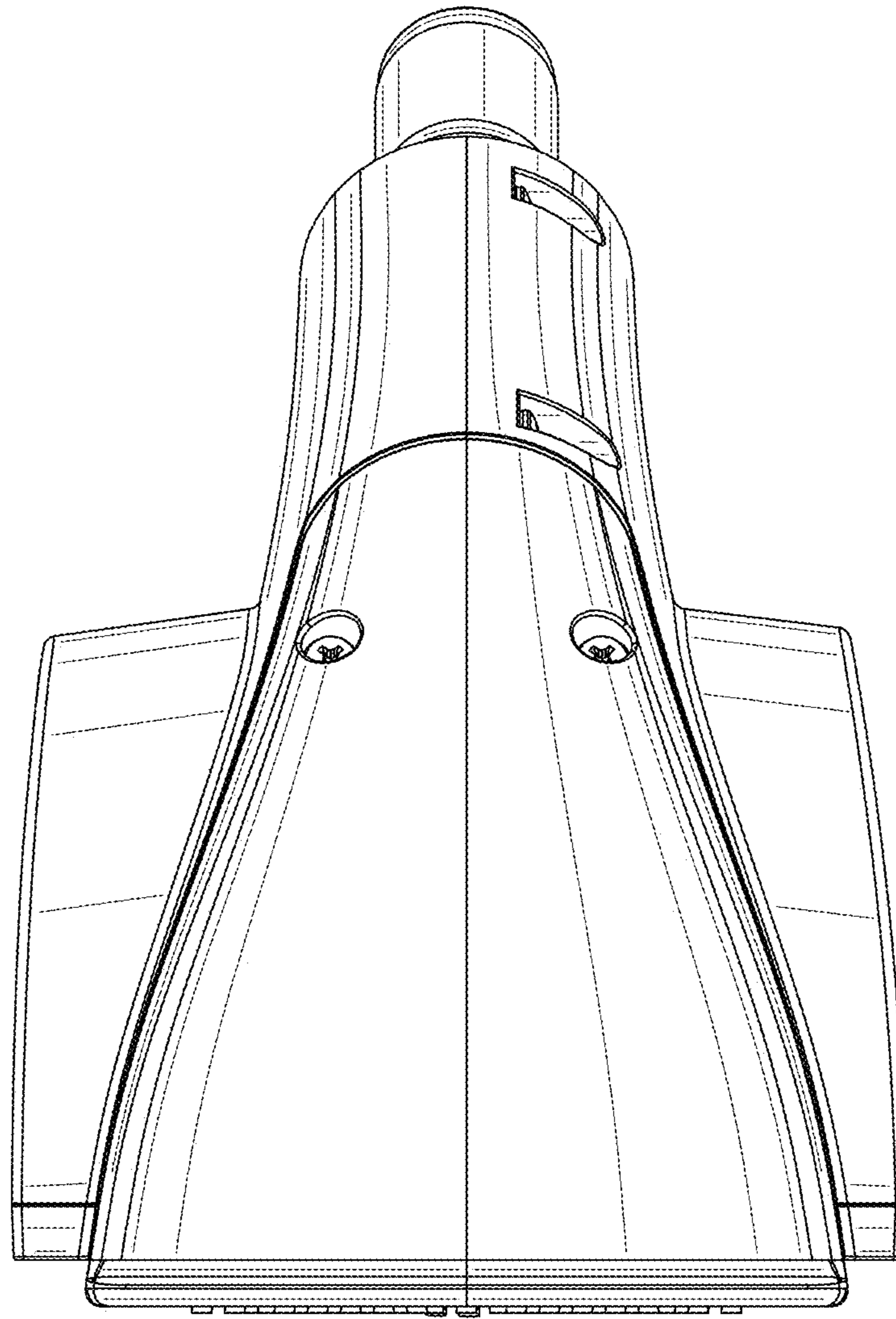


FIG. 2

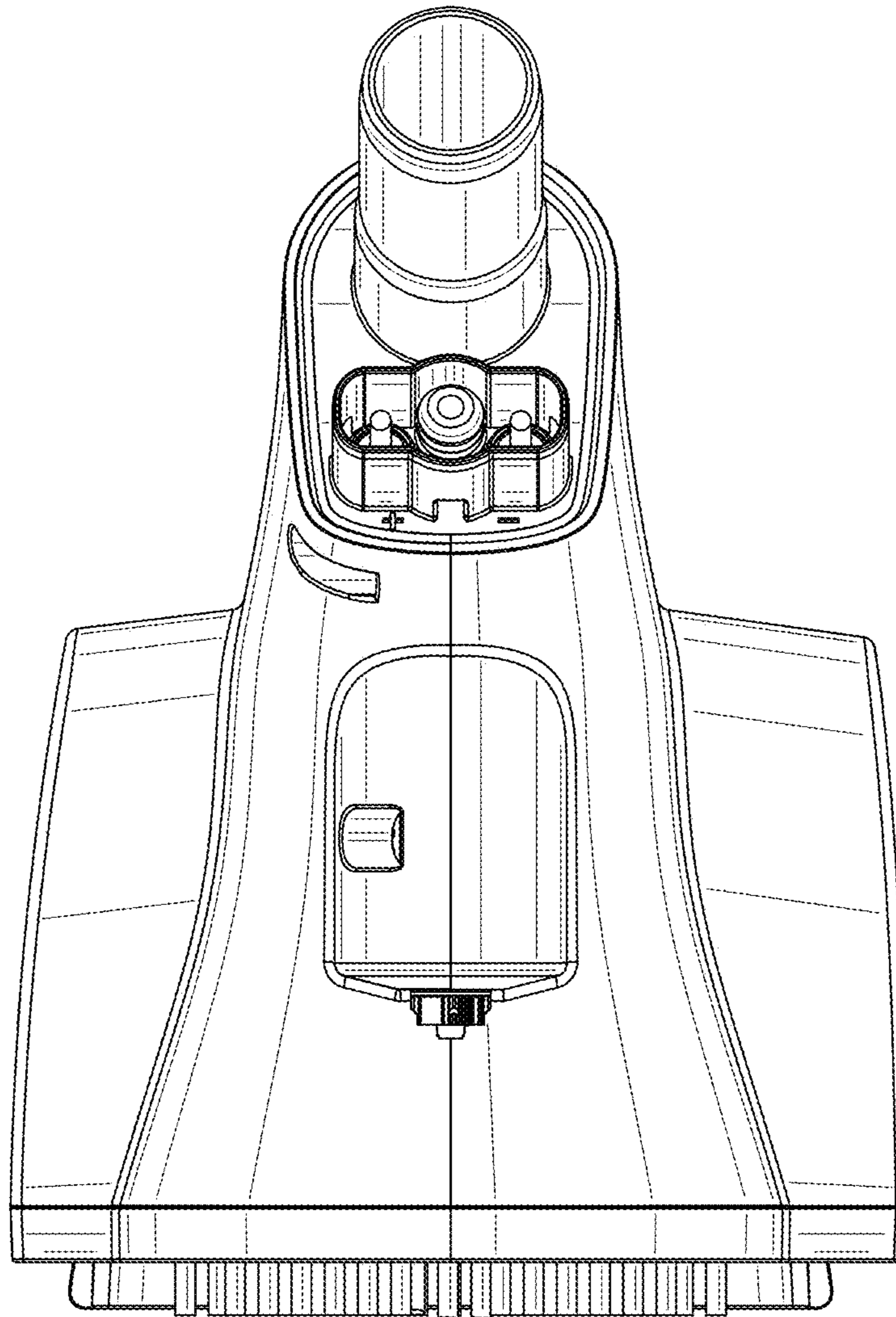


FIG. 3

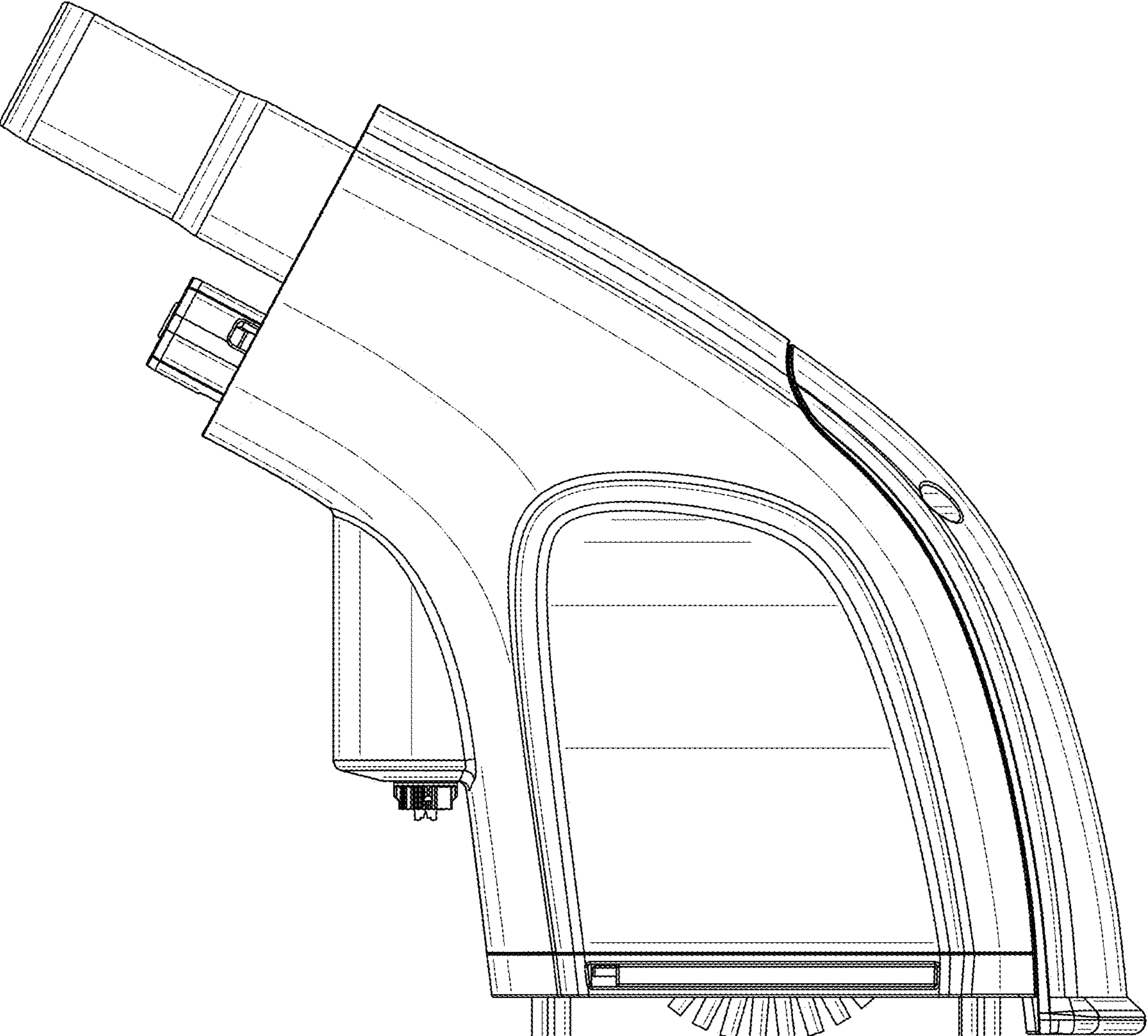


FIG. 4

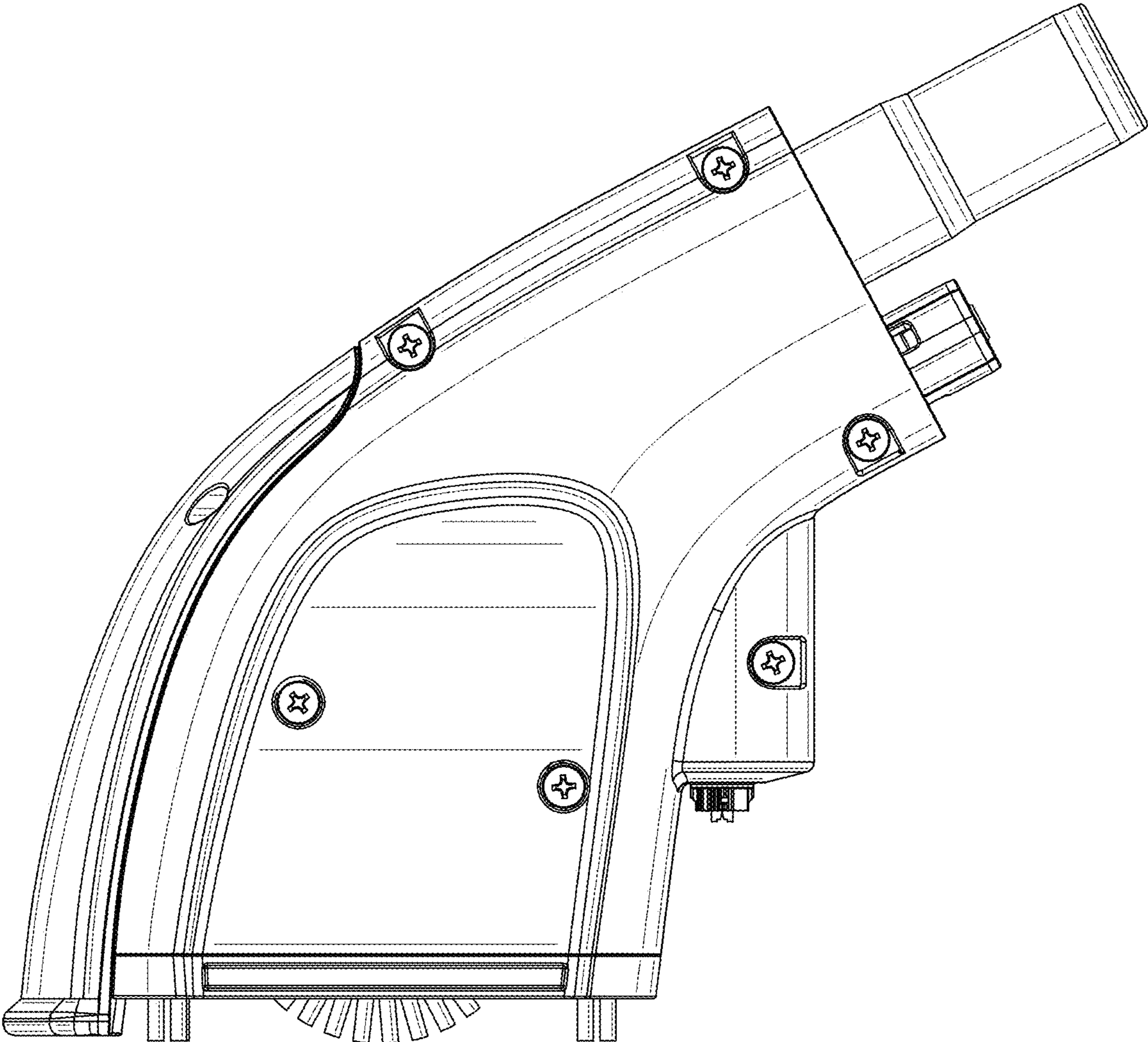


FIG. 5

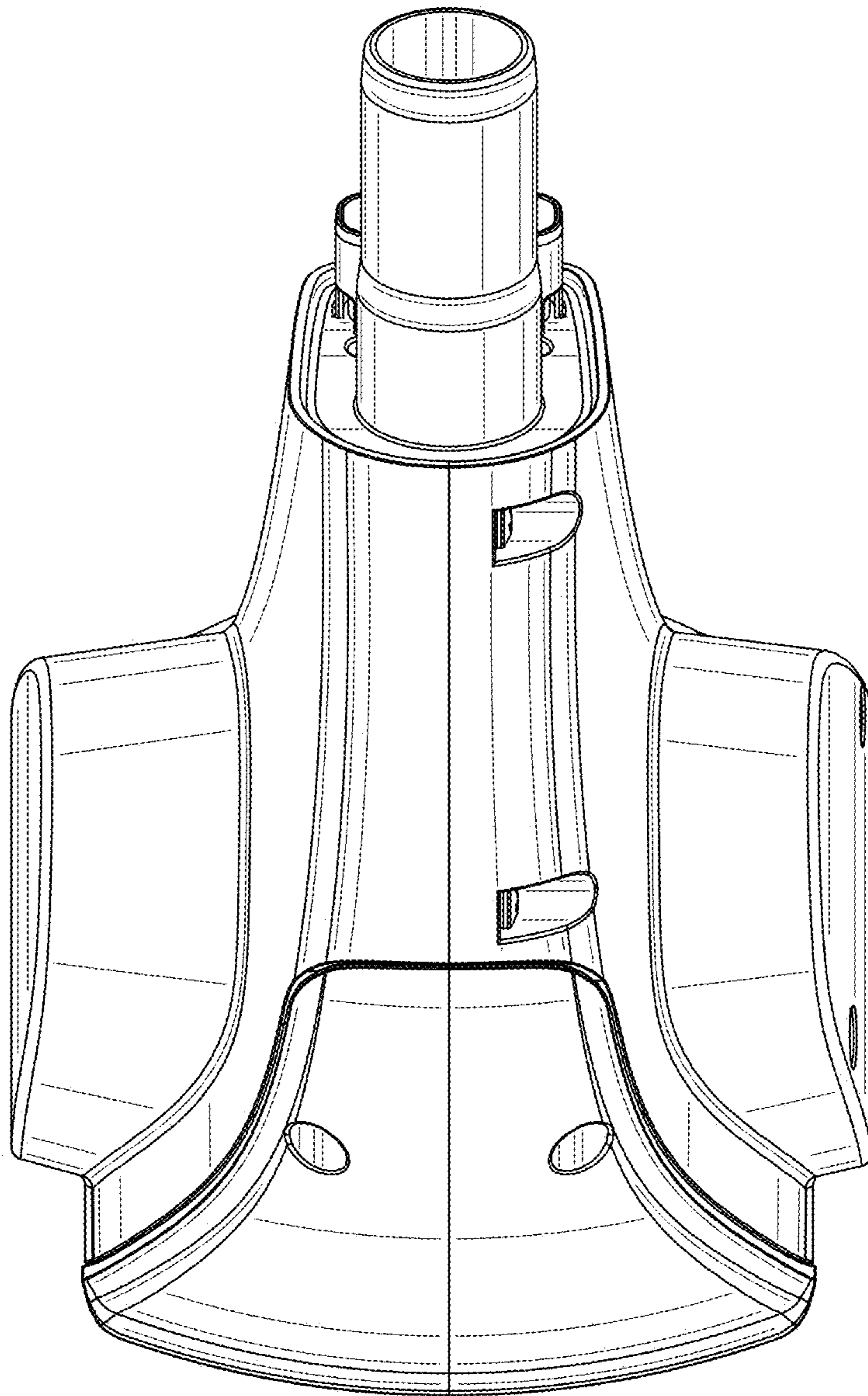


FIG. 6

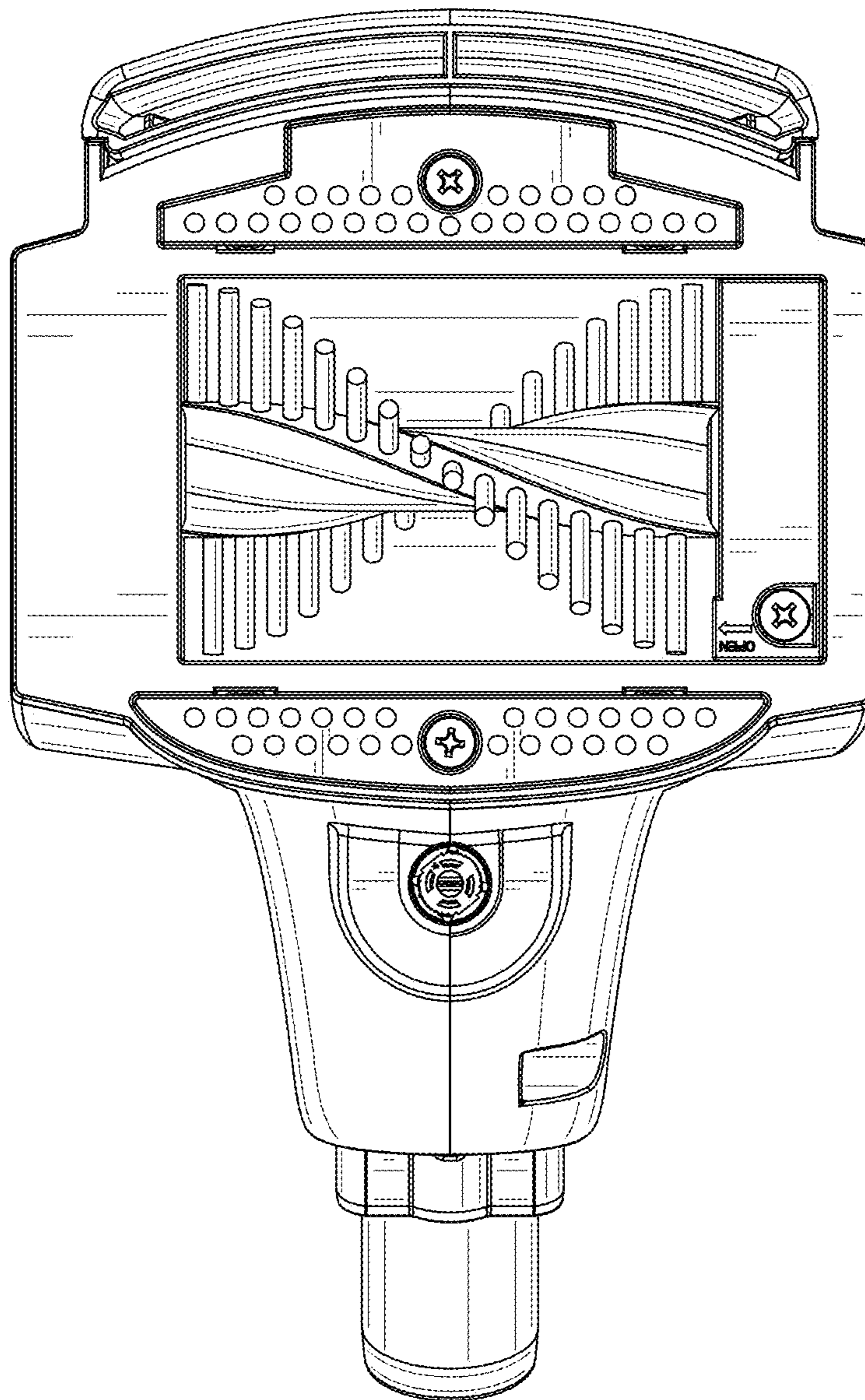


FIG. 7