



US00D874764S

(12) **United States Design Patent**  
**Liu et al.**

(10) **Patent No.:** **US D874,764 S**  
(45) **Date of Patent:** **\*\* Feb. 4, 2020**

(54) **USER INTERFACE**

(71) Applicant: **WHIRLPOOL CORPORATION**,  
Benton Harbor, MI (US)

(72) Inventors: **Xuehui Nancy Liu**, Saint Joseph, MI  
(US); **Daniel Polonsky**, Stevensville,  
MI (US); **Anna C. Schelling**,  
Stevensville, MI (US); **Wei Zheng**,  
Saint Joseph, MI (US)

(73) Assignee: **Whirlpool Corporation**, Benton  
Harbor, MI (US)

(\*\*) Term: **15 Years**

(21) Appl. No.: **29/630,480**

(22) Filed: **Dec. 21, 2017**

(51) **LOC (12) Cl.** ..... **15-05**

(52) **U.S. Cl.**  
USPC ..... **D32/28**

(58) **Field of Classification Search**  
USPC ..... D32/1, 2, 5, 6, 8, 10, 25, 28, 29, 29.1;  
134/113; D21/324-325, 329;  
D13/162-162.1; D14/258; 341/22-23;  
D10/52-53, 106.1, 106.95, 123, 125  
CPC ..... D06F 39/045; D06F 25/00; D06F 39/022;  
D06F 37/28; A47L 15/4418

See application file for complete search history.

(56) **References Cited**

**U.S. PATENT DOCUMENTS**

D71,886 S \* 1/1927 Oversmith ..... D10/2  
3,091,954 A 6/1963 Billings  
3,699,785 A 10/1972 Waugh  
3,757,543 A 9/1973 Braga  
4,085,870 A 4/1978 Von Holdt  
4,417,457 A 11/1983 Brenner  
4,422,247 A \* 12/1983 Deschaaf ..... D06F 58/28  
34/550

D272,819 S \* 2/1984 Bean ..... D13/162  
D276,599 S \* 12/1984 Segan ..... D10/106.1  
D310,369 S \* 9/1990 Kolenda ..... D13/162  
D345,712 S \* 4/1994 Rounds ..... D10/106.1  
D347,856 S \* 6/1994 Marfori ..... D14/340  
D349,729 S \* 8/1994 Wong ..... D14/339  
D363,432 S \* 10/1995 Wong ..... D10/15  
5,473,914 A 12/1995 Pyo  
5,628,430 A 5/1997 Barbe  
5,782,109 A 7/1998 Spriggs  
5,862,468 A \* 1/1999 Kim ..... H04B 1/082  
455/321  
D426,685 S \* 6/2000 Sans Rovira ..... D32/6

(Continued)

**FOREIGN PATENT DOCUMENTS**

AU 2008202222 AA 12/2008  
BR 202013015525 U2 8/2015

(Continued)

**OTHER PUBLICATIONS**

Front Load Washing Machine posted by Whirlpool posted date unknown, © Metro Appliances, [online], [site visited Sep. 14, 2019]. Available from Internet, <https://www.metroappliancesandmore.com/laundry/washers/front-load-washers/WFW862CHC/> (Year: 2019).\*

*Primary Examiner* — Cynthia Ramirez

*Assistant Examiner* — Laura H Yu

(74) *Attorney, Agent, or Firm* — McGarry Bair PC

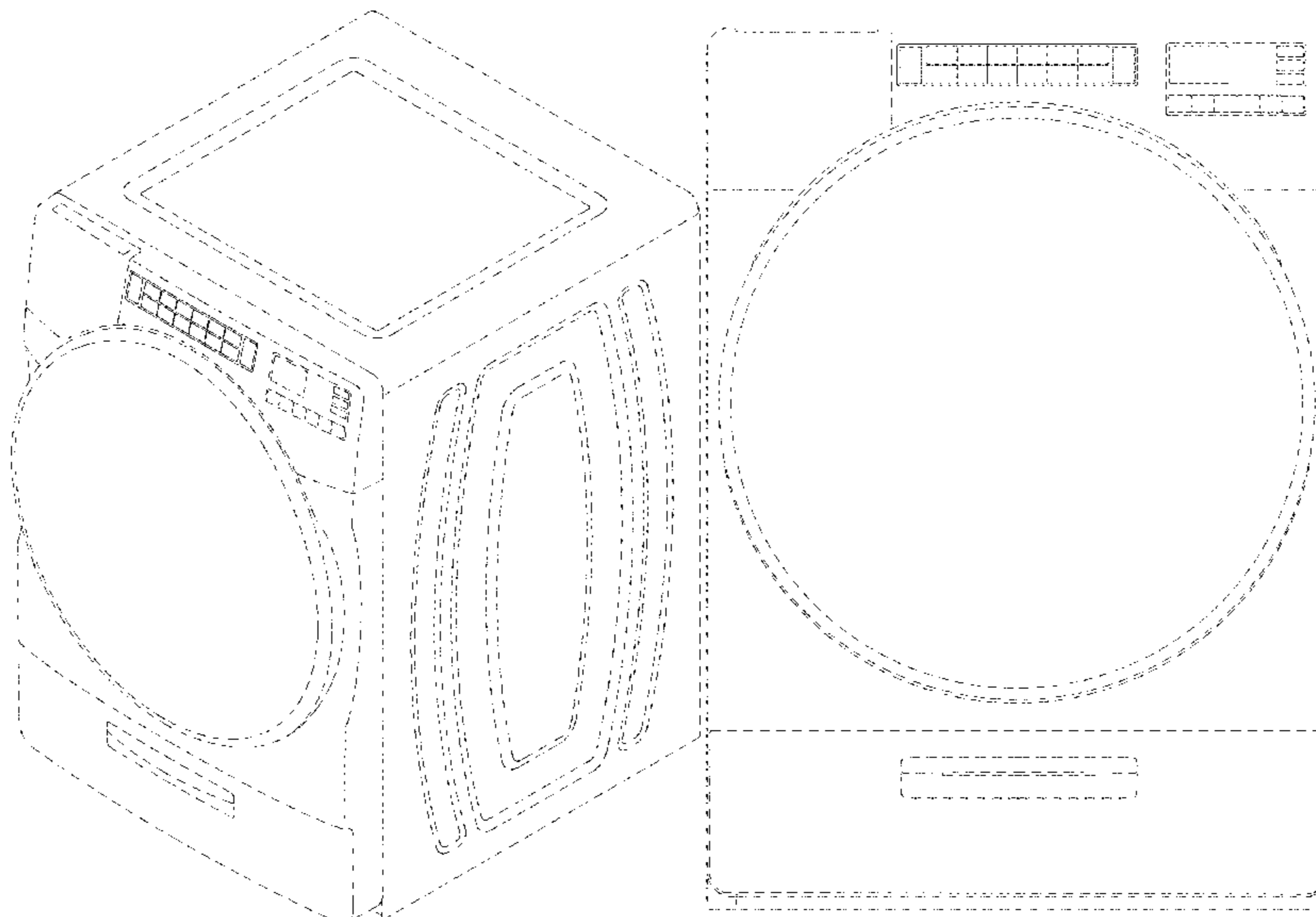
(57) **CLAIM**

The ornamental design for a user interface, as shown and described.

**DESCRIPTION**

FIG. 1 is a top perspective view of a user interface; and, FIG. 2 is a front view of the user interface of FIG. 1. The broken lines in the drawings illustrate environment and form no part of the claimed design.

**1 Claim, 2 Drawing Sheets**



(56)

References Cited

FOREIGN PATENT DOCUMENTS

U.S. PATENT DOCUMENTS

D428,062 S \* 7/2000 Hayashi ..... D21/325  
 6,109,480 A 8/2000 Monsrud  
 D445,224 S \* 7/2001 Costello ..... D32/1  
 6,295,004 B1 \* 9/2001 Burnett ..... A47L 15/4257  
 134/113  
 D449,720 S \* 10/2001 Costello ..... D32/28  
 6,401,499 B1 6/2002 Clark  
 D491,324 S \* 6/2004 Kim ..... D32/6  
 D510,781 S \* 10/2005 Seo ..... D32/2  
 D511,230 S \* 11/2005 Kim ..... D32/2  
 D520,194 S \* 5/2006 Kwon ..... D32/6  
 D543,322 S \* 5/2007 Usui ..... D32/6  
 D549,901 S \* 8/2007 Kwon ..... D32/6  
 D551,402 S \* 9/2007 Jung ..... D32/8  
 7,707,858 B2 5/2010 Jeon  
 7,777,502 B2 8/2010 Grosser  
 7,805,964 B2 10/2010 Park  
 7,843,200 B2 11/2010 Klopfer  
 8,056,374 B2 11/2011 Hoppe  
 8,056,747 B2 11/2011 Vitan  
 8,166,781 B2 5/2012 Lee  
 8,322,169 B2 12/2012 Kendall  
 D673,742 S 1/2013 Eng  
 8,368,805 B2 2/2013 Kim  
 8,555,678 B2 10/2013 Lee et al.  
 8,584,492 B2 11/2013 Seo  
 8,931,310 B2 1/2015 Risen  
 8,931,667 B2 1/2015 Smith  
 9,133,576 B2 9/2015 Lee  
 9,217,218 B2 12/2015 Kim  
 D769,236 S \* 10/2016 Fiore, IV ..... D14/258  
 D773,132 S 11/2016 Ha  
 D773,133 S 11/2016 Ha  
 9,487,904 B2 11/2016 Kim  
 9,506,183 B2 11/2016 Del Pos  
 9,615,468 B2 4/2017 Moncrieff  
 9,663,886 B2 5/2017 Mackay  
 2006/0053842 A1 3/2006 Je  
 2008/0028802 A1 2/2008 Jordan  
 2009/0126123 A1 5/2009 Kim  
 2009/0288453 A1 11/2009 Lee  
 2010/0115709 A1 5/2010 Kim  
 2010/0251782 A1 \* 10/2010 McMaster ..... D06F 37/02  
 68/139  
 2011/0030428 A1 2/2011 Han  
 2011/0174021 A1 7/2011 Lee  
 2012/0017381 A1 1/2012 Hong  
 2012/0144872 A1 6/2012 Kappler  
 2012/0174632 A1 7/2012 Sung  
 2013/0047680 A1 2/2013 Han  
 2013/0219972 A1 8/2013 Mora  
 2013/0277353 A1 10/2013 Joseph  
 2014/0041418 A1 2/2014 Lee et al.  
 2014/0076008 A1 3/2014 Jo  
 2014/0076009 A1 3/2014 Kim  
 2015/0059418 A1 3/2015 Lee  
 2015/0252513 A1 9/2015 Seo  
 2015/0252514 A1 9/2015 Seo  
 2015/0354126 A1 12/2015 Lee  
 2016/0010267 A1 1/2016 Kim  
 2016/0017531 A1 1/2016 Jo  
 2016/0017532 A1 1/2016 Jo  
 2016/0069012 A1 3/2016 Kim  
 2016/0186370 A1 6/2016 Kim  
 2016/0237613 A1 8/2016 Lee  
 2016/0355969 A1 12/2016 Kim  
 2017/0121881 A1 \* 5/2017 Yang ..... D06F 39/005  
 2017/0121890 A1 5/2017 Kwon

CN 1746413 B 10/2010  
 CN 101298733 B 10/2010  
 CN 204509793 U 7/2015  
 CN 102345223 B 11/2015  
 CN 204939890 U 1/2016  
 CN 105671877 A 6/2016  
 CN 105803733 A 7/2016  
 CN 303900353 \* 10/2016  
 CN 304045523 \* 2/2017  
 DE 2424393 A1 12/1975  
 DE 8033429 U1 5/1982  
 DE 3242382 A1 5/1984  
 DE 3246127 A1 6/1984  
 DE 3247529 A1 6/1984  
 DE 102008041439 A1 2/2010  
 DE 102013102733 A1 9/2014  
 DE 202013012060 U1 3/2015  
 DE 202013012059 U1 4/2015  
 EP 0077463 A2 4/1983  
 EP 0096260 A1 12/1983  
 EP 0268451 A2 5/1988  
 EP 0379950 B1 8/1992  
 EP 0597513 A1 5/1994  
 EP 2251480 A1 11/2010  
 EP 2304091 A1 4/2011  
 EP 2405052 A1 1/2012  
 EP 2708633 A1 3/2014  
 EP 2708634 A1 3/2014  
 EP 2708635 A1 3/2014  
 EP 2719816 A1 4/2014  
 EP 2743393 A1 6/2014  
 EP 2784205 A1 10/2014  
 EP 2479335 B1 12/2014  
 EP 2857569 A1 4/2015  
 EP 2873764 A1 5/2015  
 EP 2894249 A1 7/2015  
 EP 2905369 A1 8/2015  
 EP 2994565 A1 3/2016  
 EP 1884584 B1 4/2016  
 EP 3056599 A1 8/2016  
 EP 3164537 A1 5/2017  
 FR 2244859 A1 4/1975  
 FR 2646674 A3 11/1990  
 GB 2134612 A1 8/1984  
 GB 2147613 A1 5/1985  
 GB 2214524 A1 9/1989  
 JP 63043698 A2 2/1988  
 JP 7227495 A2 8/1995  
 JP 10033888 A2 2/1998  
 JP 1553160 S 7/2016  
 JP 1553162 S 7/2016  
 KR 100556791 B1 3/2006  
 KR 20080092197 A 10/2008  
 KR 100873681 B1 12/2008  
 KR 20100066909 A 6/2010  
 KR 101481508 B1 1/2015  
 KR 101481520 B1 1/2015  
 KR 101482109 B1 1/2015  
 KR 20150025084 A 3/2015  
 KR 101590012 B1 2/2016  
 WO 15133796 A1 9/2015  
 WO 15133798 A1 9/2015  
 WO 15133799 A1 9/2015  
 WO 15167073 A1 11/2015  
 WO 16088912 A1 6/2016

\* cited by examiner

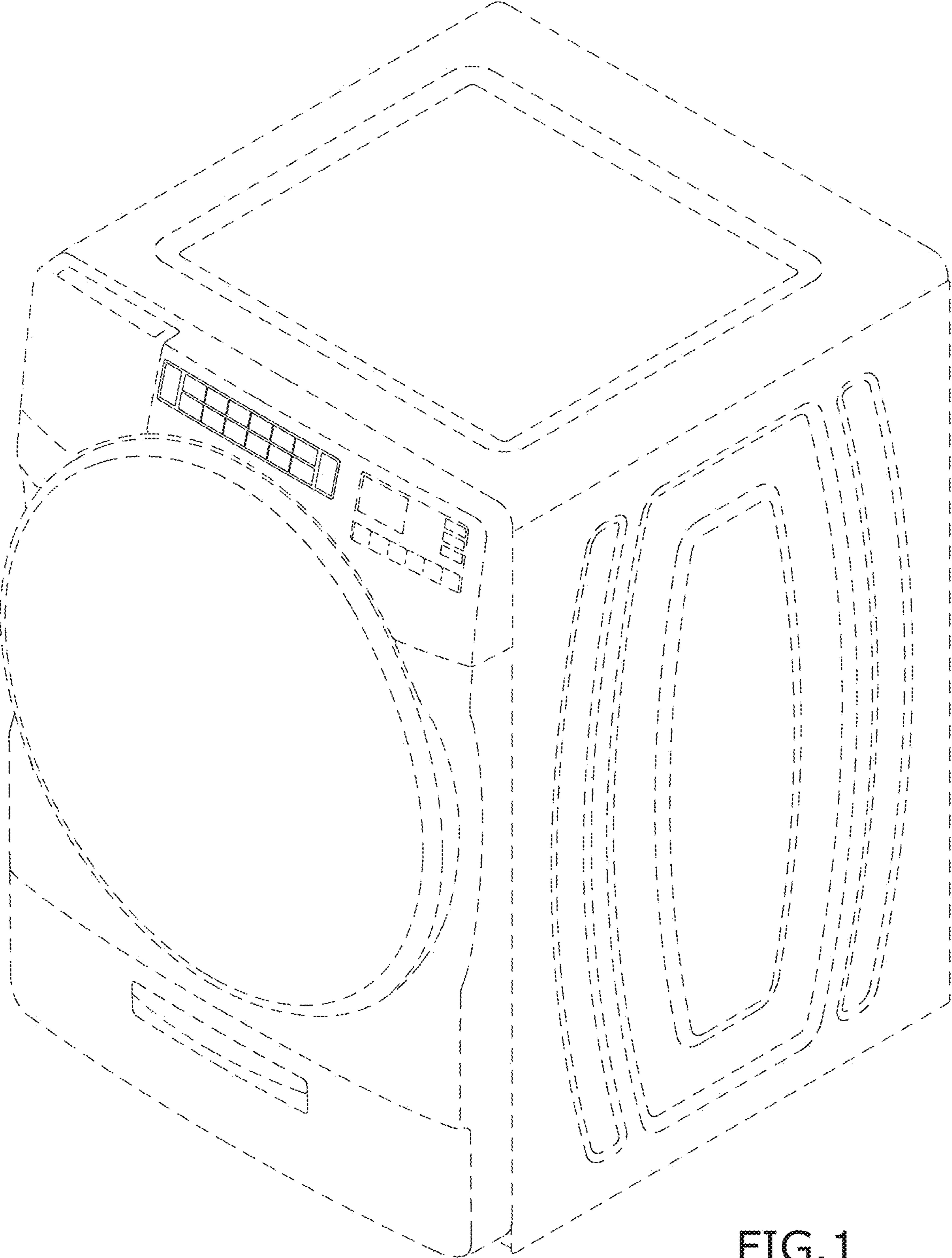


FIG. 1

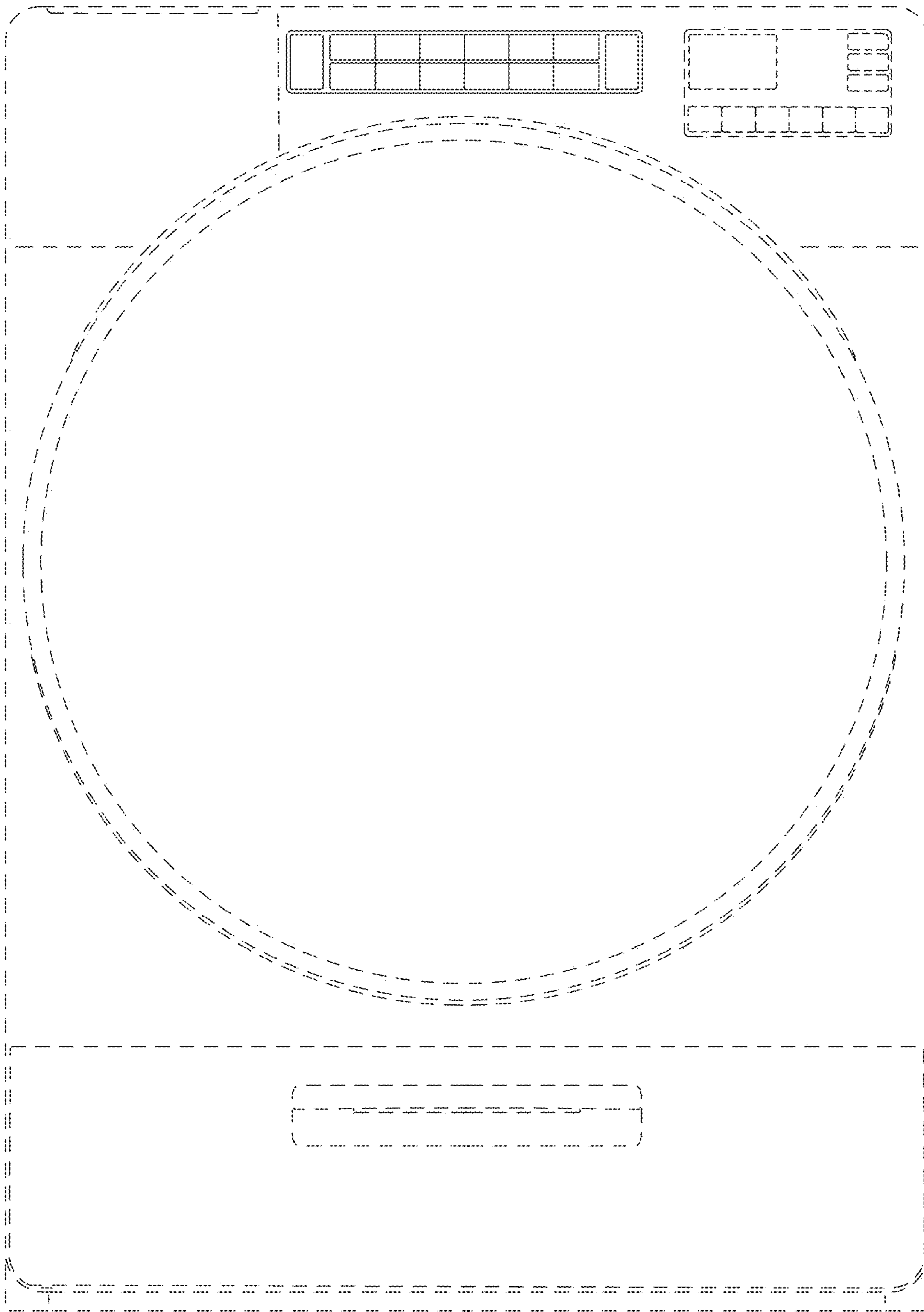


FIG. 2