



US00D874759S

(12) **United States Design Patent**  
**Tang**

(10) **Patent No.:** **US D874,759 S**

(45) **Date of Patent:** **\*\* Feb. 4, 2020**

(54) **VACUUM CLEANER**

(71) Applicants: **JIANGSU MIDEA CLEANING APPLIANCES CO., LTD.**, Suzhou (CN); **MIDEA GROUP CO., LTD.**, Foshan (CN)

(72) Inventor: **Hao Tang**, Suzhou (CN)

(\*\*) Term: **15 Years**

(21) Appl. No.: **29/657,068**

(22) Filed: **Jul. 18, 2018**

(30) **Foreign Application Priority Data**

Feb. 28, 2018 (CN) ..... 2018 3 0077227

(51) **LOC (12) Cl.** ..... **15-05**

(52) **U.S. Cl.**  
USPC ..... **D32/18**

(58) **Field of Classification Search**  
USPC ..... D32/17, 18, 22, 31  
CPC ... A47L 5/24; A47L 5/362; A47L 5/36; A47L 5/28; A47L 9/102; A47L 9/1683; B01D 50/002  
See application file for complete search history.

(56) **References Cited**

**U.S. PATENT DOCUMENTS**

D505,760 S \* 5/2005 Griffin ..... D32/18  
D528,253 S \* 9/2006 Wu ..... D32/18

D537,578 S \* 2/2007 Crevling, Jr. .... D32/18  
D562,512 S \* 2/2008 Yoon ..... D32/34  
D605,820 S \* 12/2009 LaValle ..... D32/18  
D697,679 S \* 1/2014 Wolfe, Jr. .... D32/18  
D731,725 S \* 6/2015 Jang ..... D32/34  
D740,502 S \* 10/2015 Janda ..... D32/18  
D804,756 S \* 12/2017 Nam ..... D32/34  
D844,265 S \* 3/2019 Burgess ..... D32/18

\* cited by examiner

*Primary Examiner* — Ruth McInroy

(74) *Attorney, Agent, or Firm* — Kilpatrick Townsend & Stockton, LLP

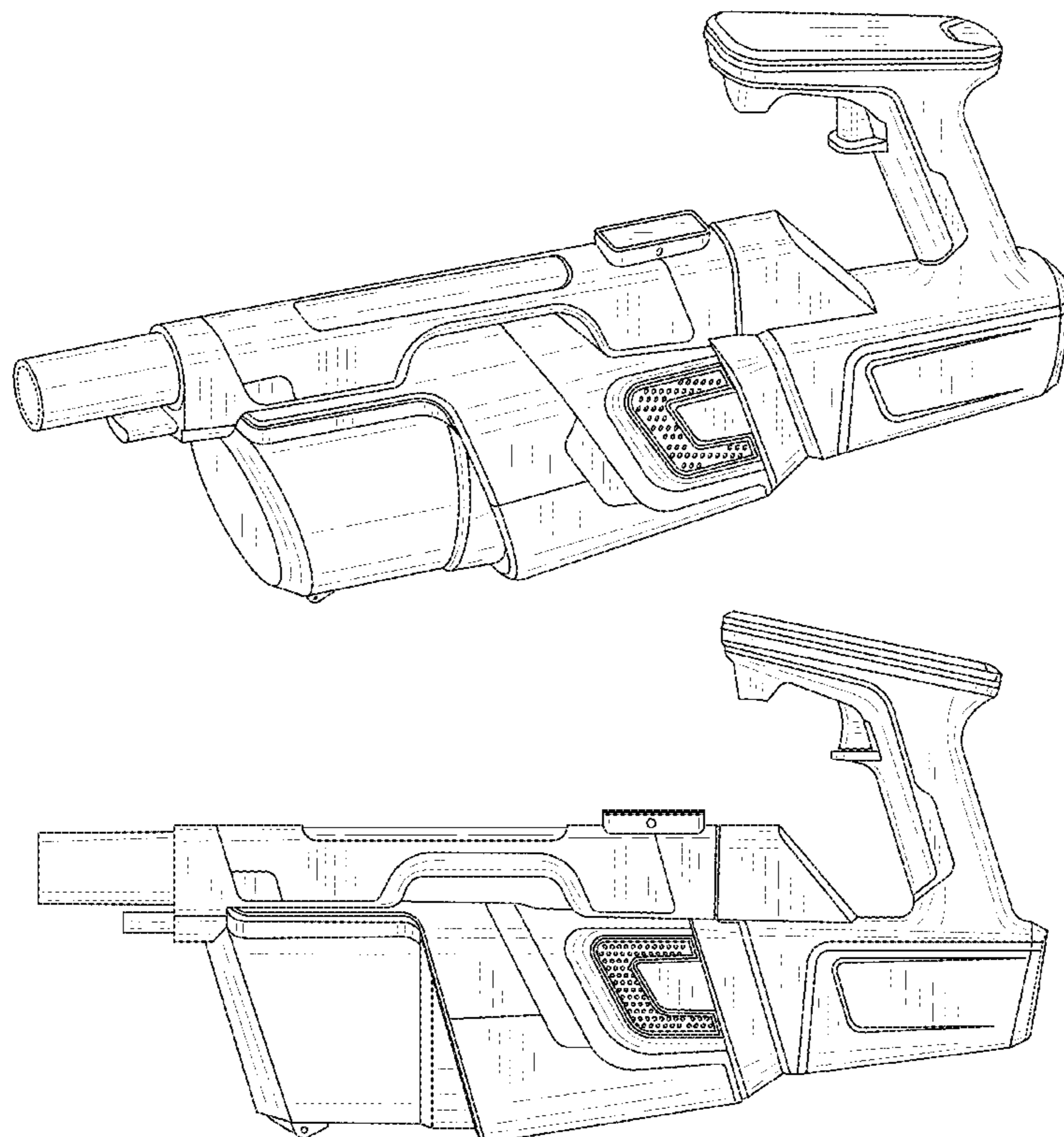
(57) **CLAIM**

The ornamental design of a vacuum cleaner, as shown and described.

**DESCRIPTION**

FIG. 1 is a perspective view of a vacuum cleaner, showing my new design;  
FIG. 2 is a front elevation view thereof;  
FIG. 3 is a rear elevation view thereof;  
FIG. 4 is a right side elevation view thereof;  
FIG. 5 is a left side elevation view thereof;  
FIG. 6 is a top plan view thereof; and,  
FIG. 7 is a bottom plan view thereof.  
The details shown in broken lines form no part of the claimed design.

**1 Claim, 7 Drawing Sheets**



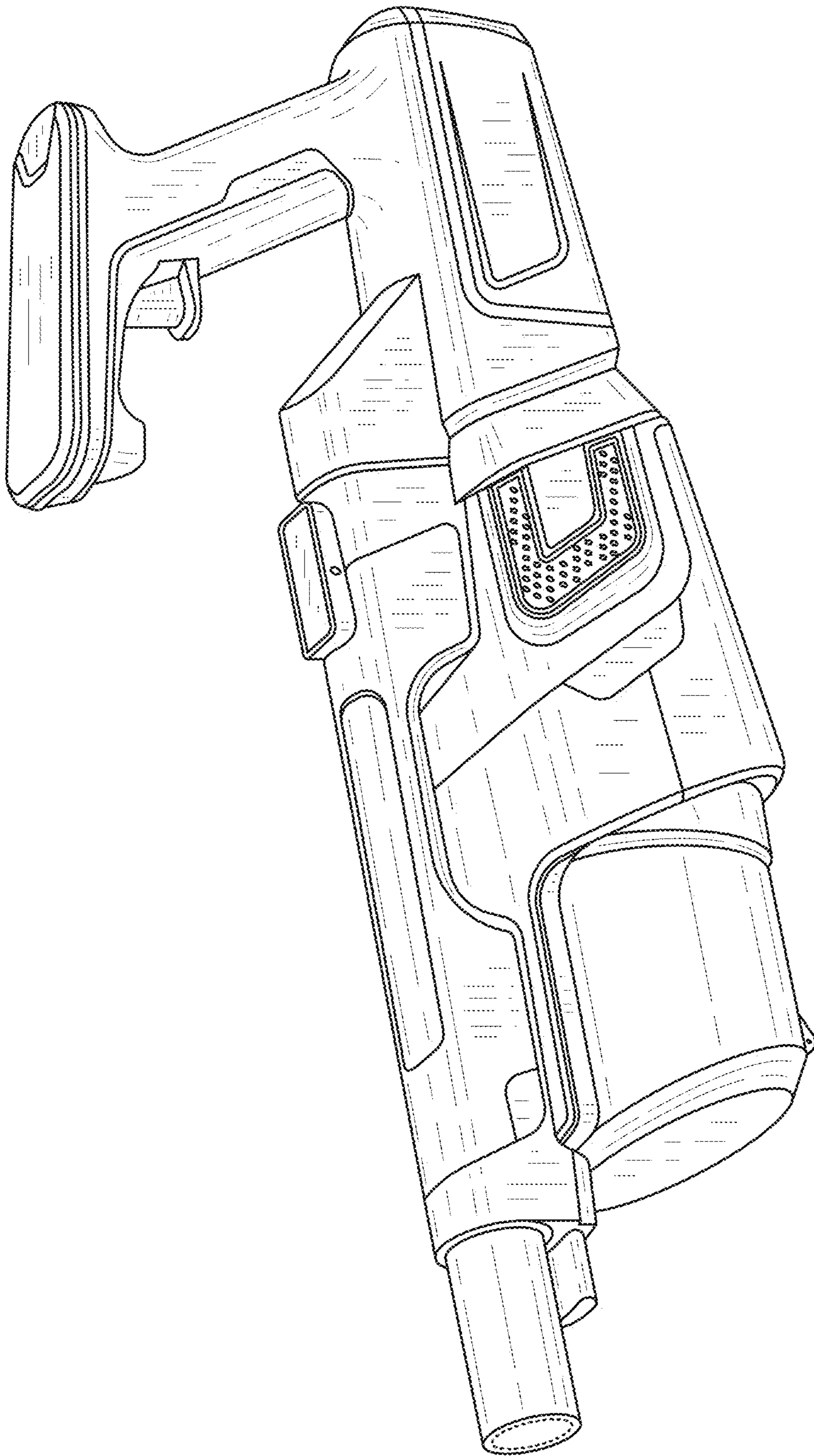


FIG. 1

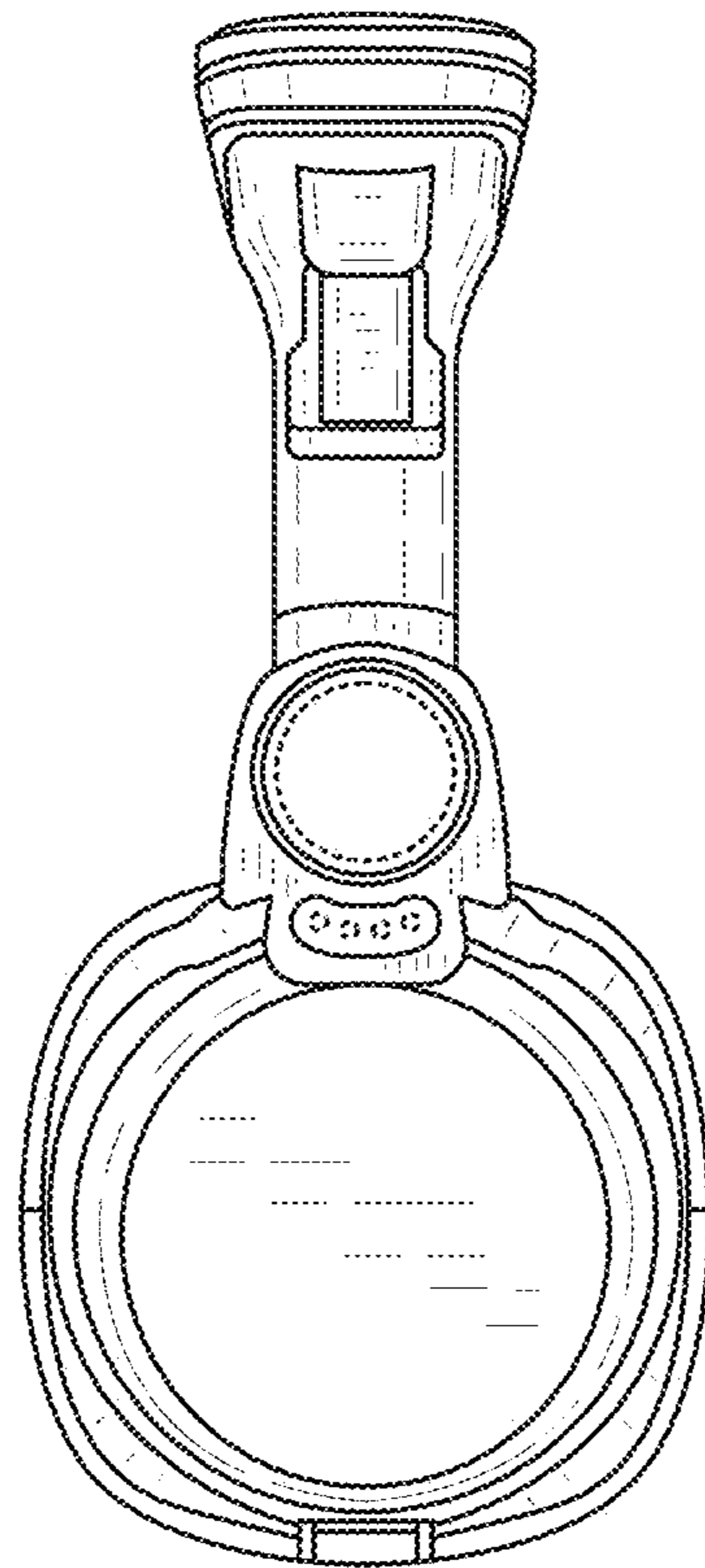


FIG. 2

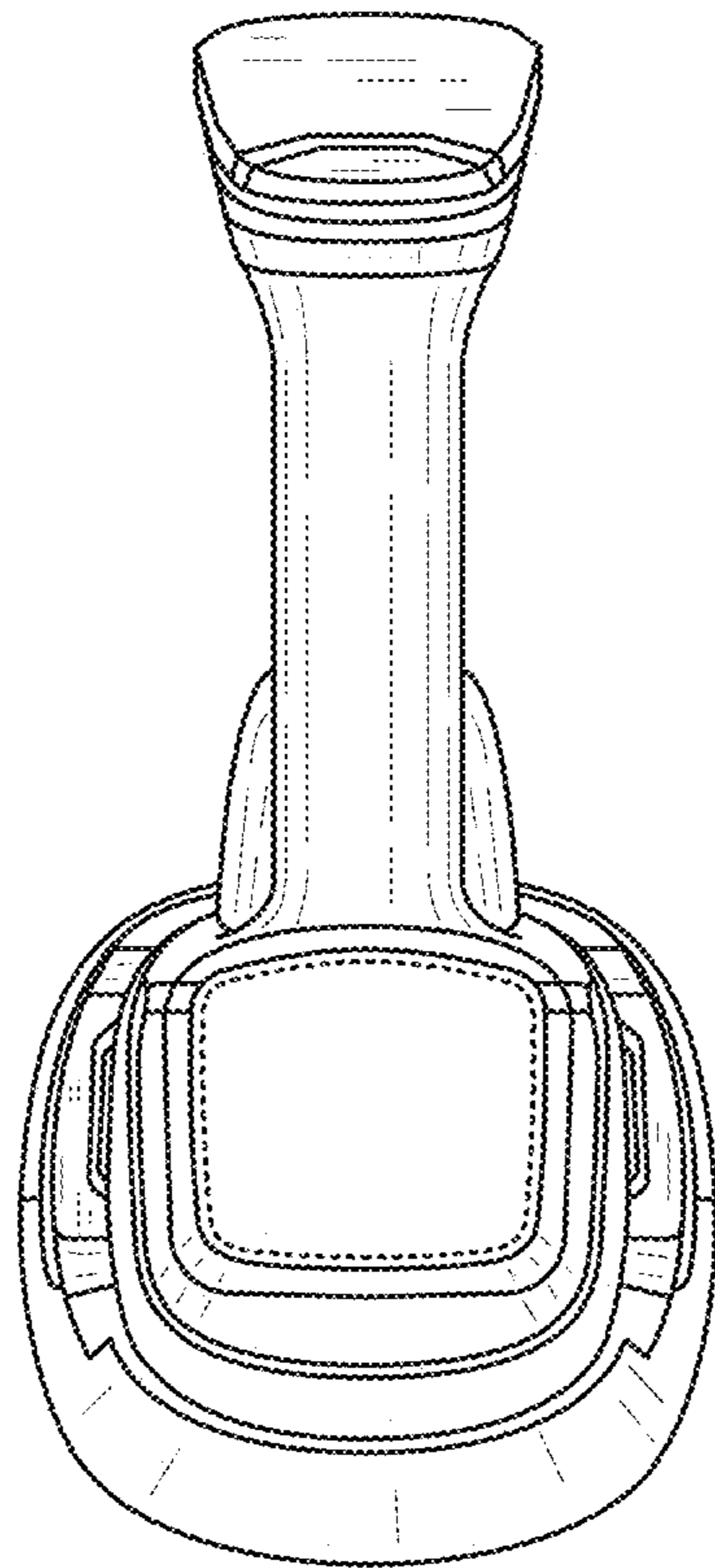


FIG. 3

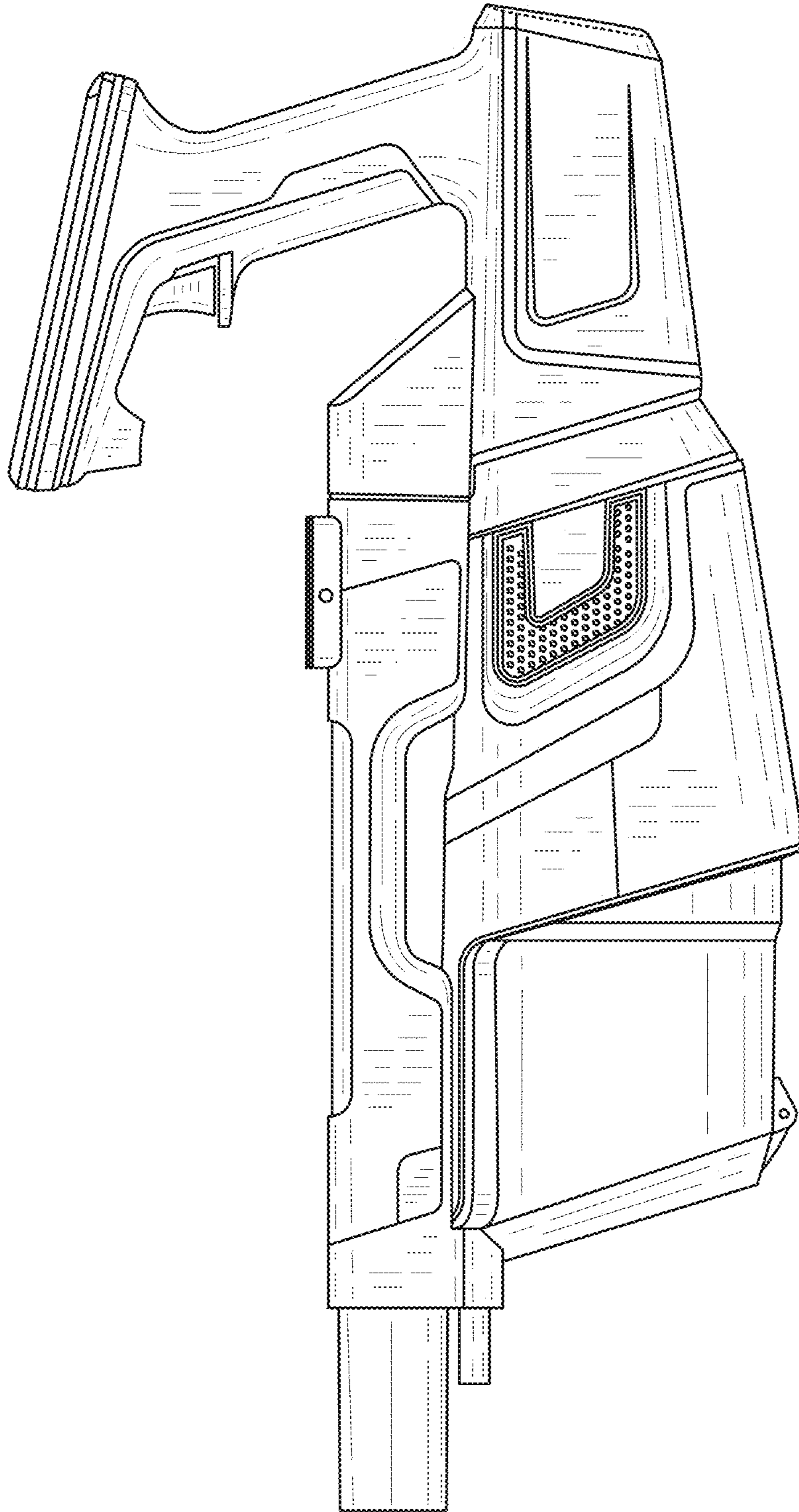


FIG. 4

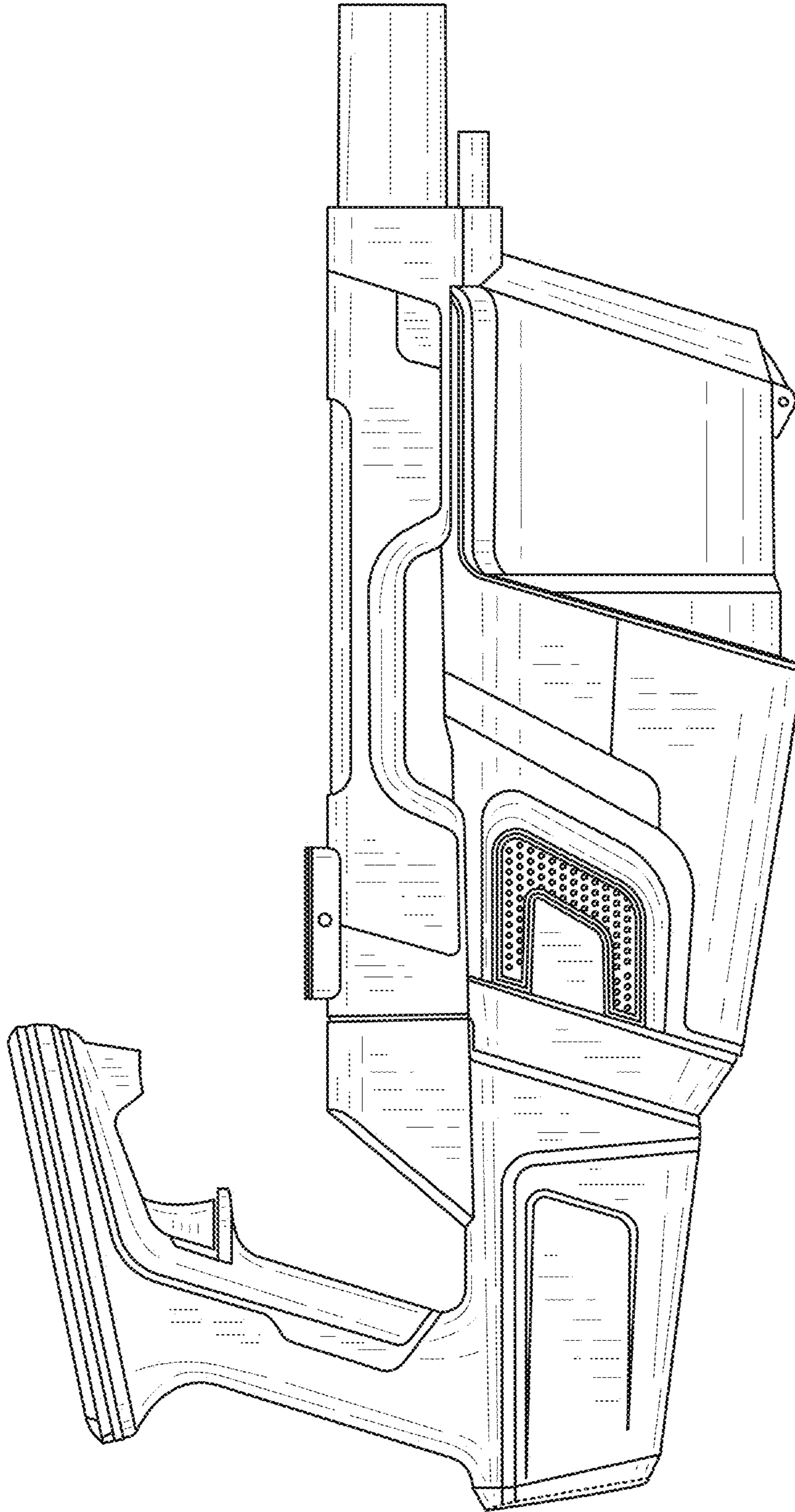


FIG. 5

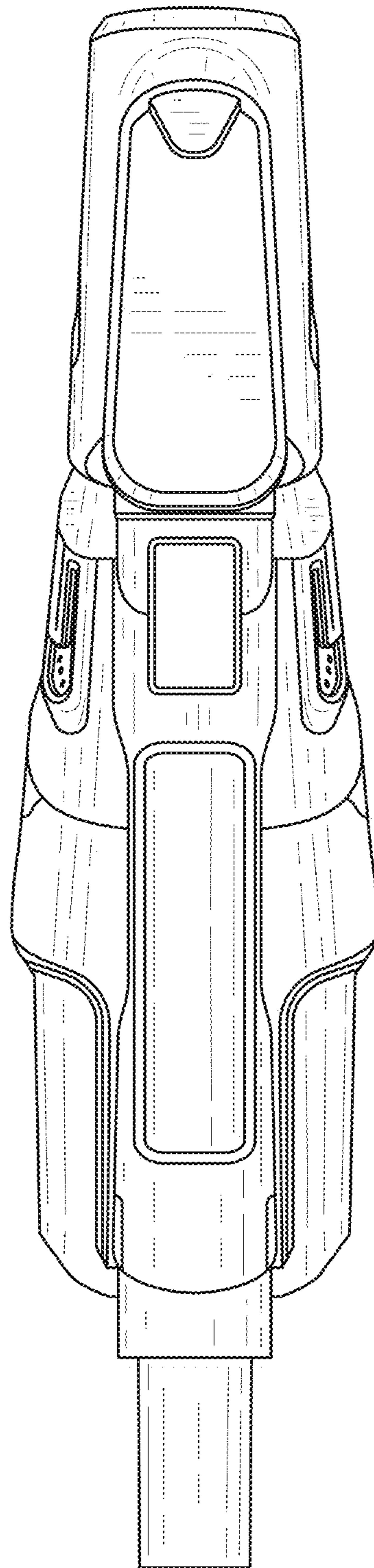


FIG. 6

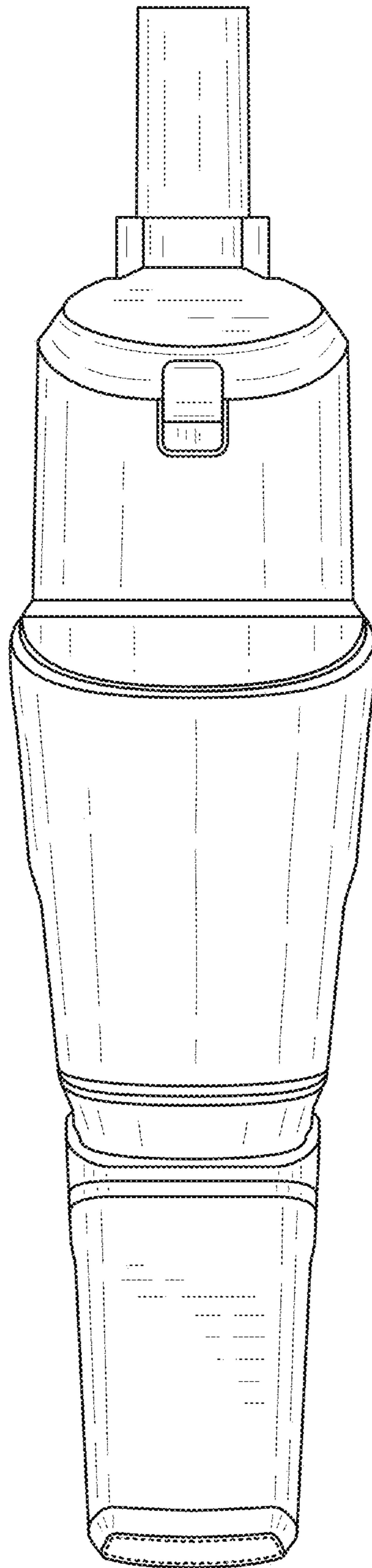


FIG. 7