



US00D874753S

(12) **United States Design Patent**
Qin et al.

(10) **Patent No.:** **US D874,753 S**

(45) **Date of Patent:** **** Feb. 4, 2020**

(54) **DRUM DRYING MACHINE**

(71) Applicant: **Wuxi Little Swan Electric Co., Ltd.,**
Wuxi (CN)

(72) Inventors: **Su Qin, Wuxi (CN); Tao Chen, Wuxi**
(CN); **Honggang Xie, Wuxi (CN)**

(73) Assignee: **WUXI LITTLE SWAN ELECTRIC**
CO., LTD., Wuxi (CN)

(**) Term: **15 Years**

(21) Appl. No.: **29/641,537**

(22) Filed: **Mar. 22, 2018**

(30) **Foreign Application Priority Data**

Sep. 30, 2017 (CN) 2017 3 0474719

(51) **LOC (12) Cl.** **15-05**

(52) **U.S. Cl.**
USPC **D32/8**

(58) **Field of Classification Search**

USPC D32/29.1, 29, 28, 6, 25, 8, 1, 5, 10

CPC D06F 39/045; D06F 29/00; D06F 29/005;

D06F 25/00; D06F 39/022; D06F 33/02;

D06F 2204/065; D06F 35/006

See application file for complete search history.

(56) **References Cited**

U.S. PATENT DOCUMENTS

D496,709 S *	9/2004	Suh	D32/6
D517,255 S *	3/2006	Kim	D32/5
D517,257 S *	3/2006	Kim	D32/6
D520,686 S *	5/2006	Jeon	D32/6
D527,499 S *	8/2006	Jung	D32/6
D544,658 S *	6/2007	Kim	D32/6

D549,896 S *	8/2007	Suh	D32/6
D549,897 S *	8/2007	Suh	D32/6
D549,898 S *	8/2007	Suh	D32/6
D549,899 S *	8/2007	Suh	D32/6
D549,902 S *	8/2007	Suh	D32/8
D550,907 S *	9/2007	Jeon	D32/6
D559,479 S *	1/2008	Kwon	D32/6
D559,480 S *	1/2008	Kwon	D32/6
D565,809 S *	4/2008	Eicher	D32/6
D577,870 S *	9/2008	Kim	D32/6
D579,610 S *	10/2008	Jeon	D32/6
D697,678 S *	1/2014	Jeon	D32/6

* cited by examiner

Primary Examiner — Michelle E. Wilson

(74) *Attorney, Agent, or Firm* — Morgan, Lewis & Bockius LLP

(57) **CLAIM**

The ornamental design for a drum drying machine, as shown and described.

DESCRIPTION

FIG. 1 is a front perspective view of a drum drying machine showing our new design;

FIG. 2 is a front elevational view thereof;

FIG. 3 is a rear elevational view thereof;

FIG. 4 is a right-side elevational view thereof;

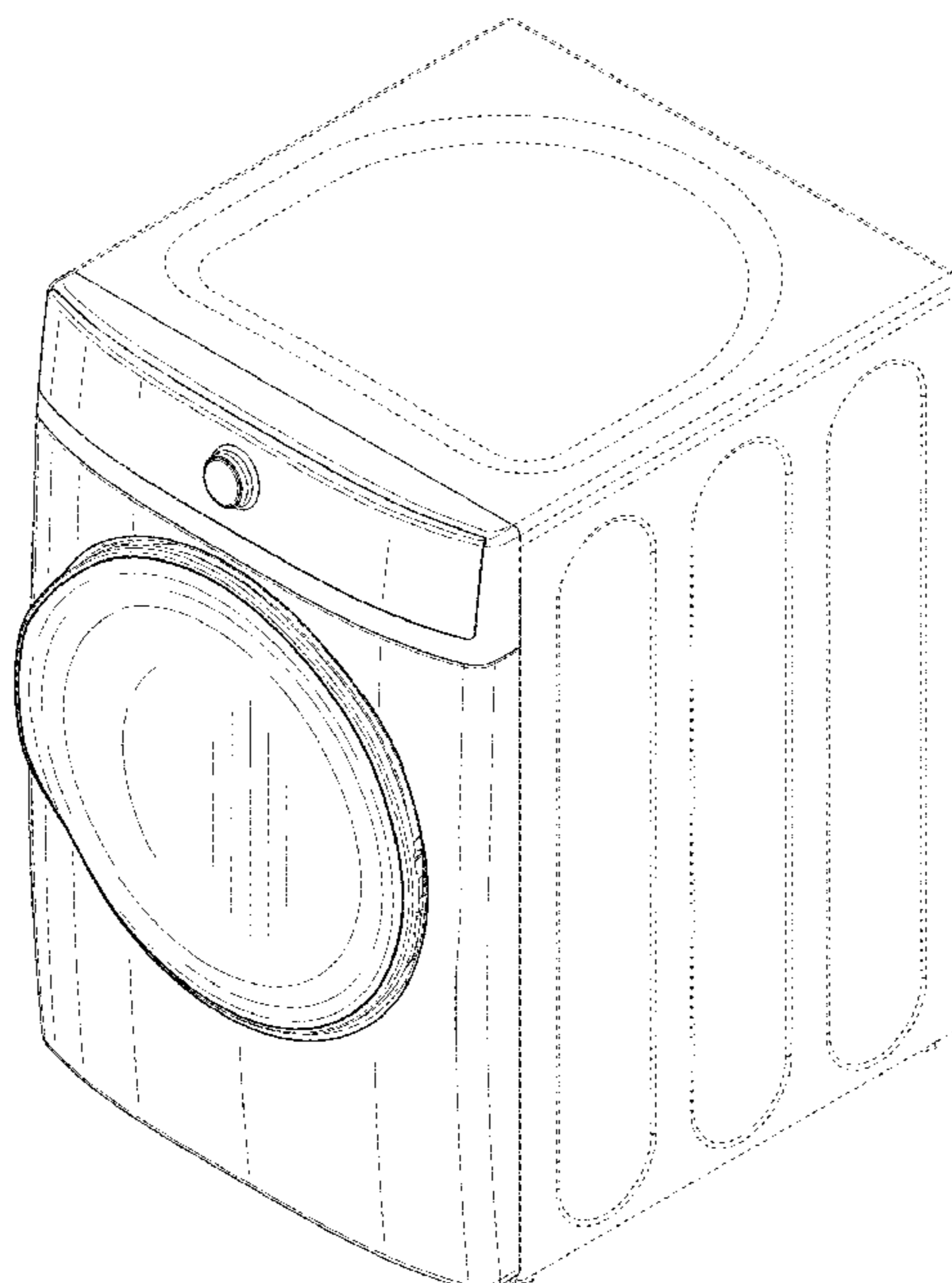
FIG. 5 is a left-side elevational view thereof;

FIG. 6 is a top plan view thereof; and,

FIG. 7 is a bottom plan view thereof.

The broken lines immediately adjacent the shaded areas represent the bounds of the claimed design while all other broken lines are directed to environment and are for illustrative purposes only; the broken lines form no part of the claimed design.

1 Claim, 7 Drawing Sheets



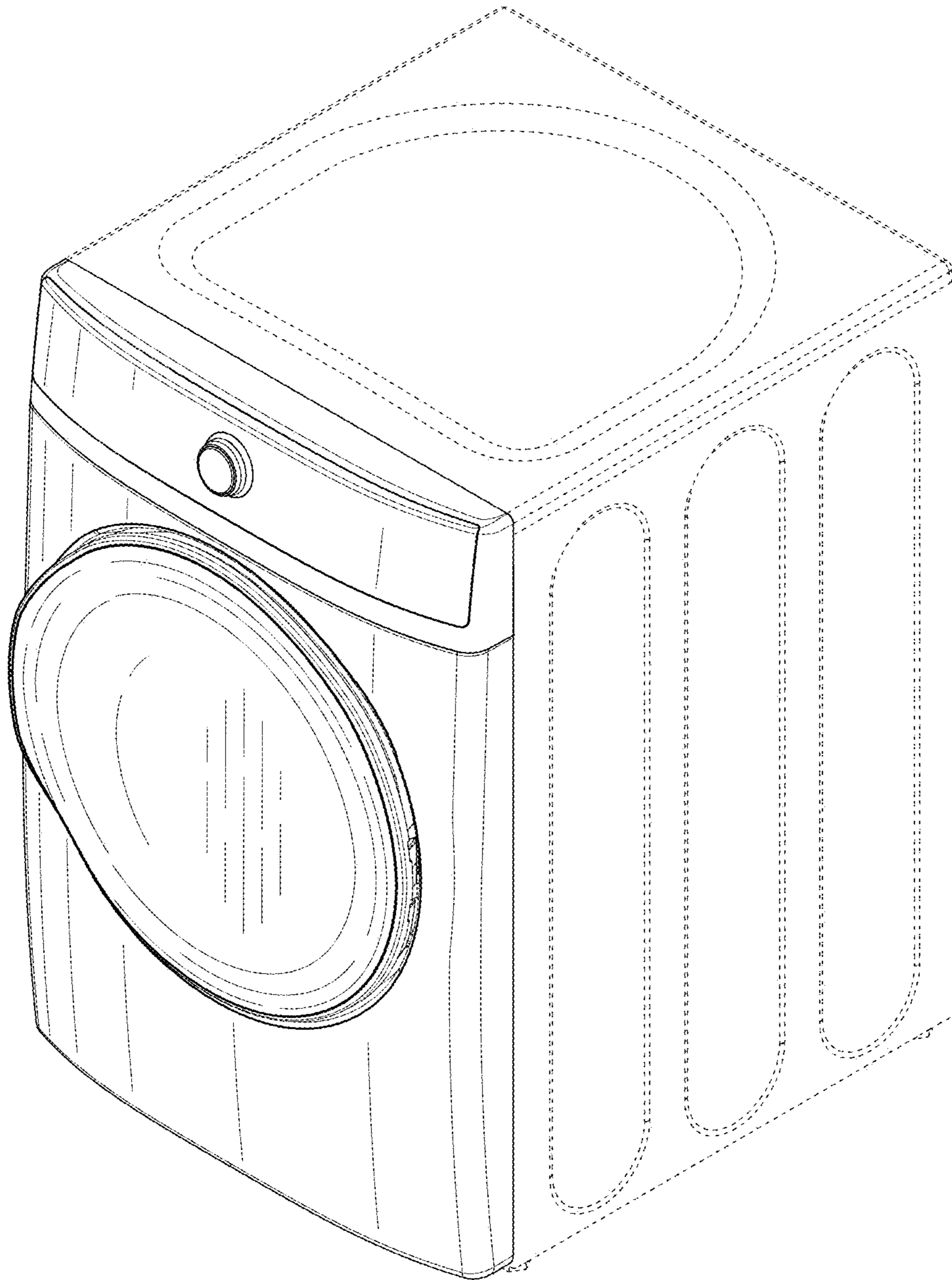


FIG. 1

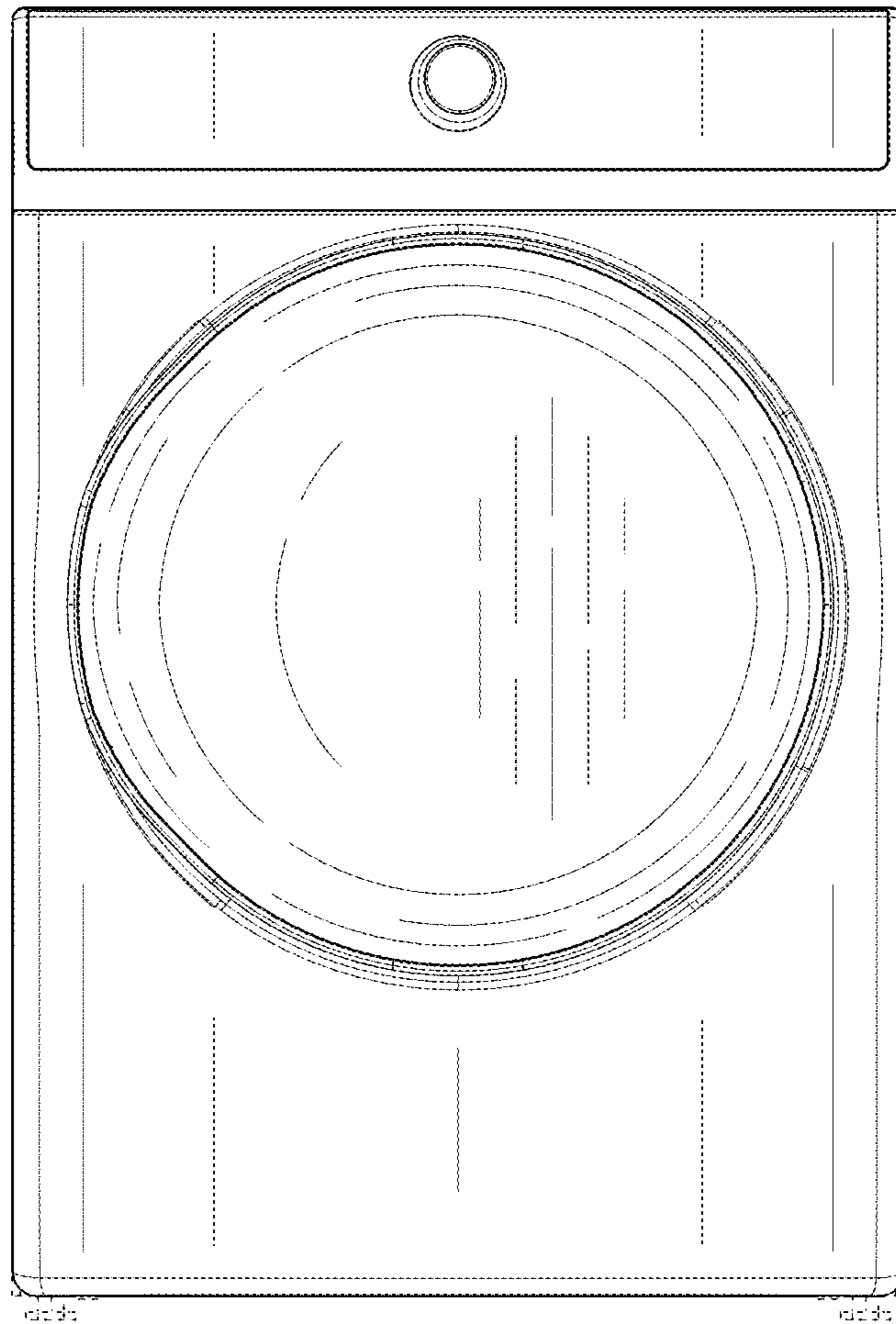


FIG. 2

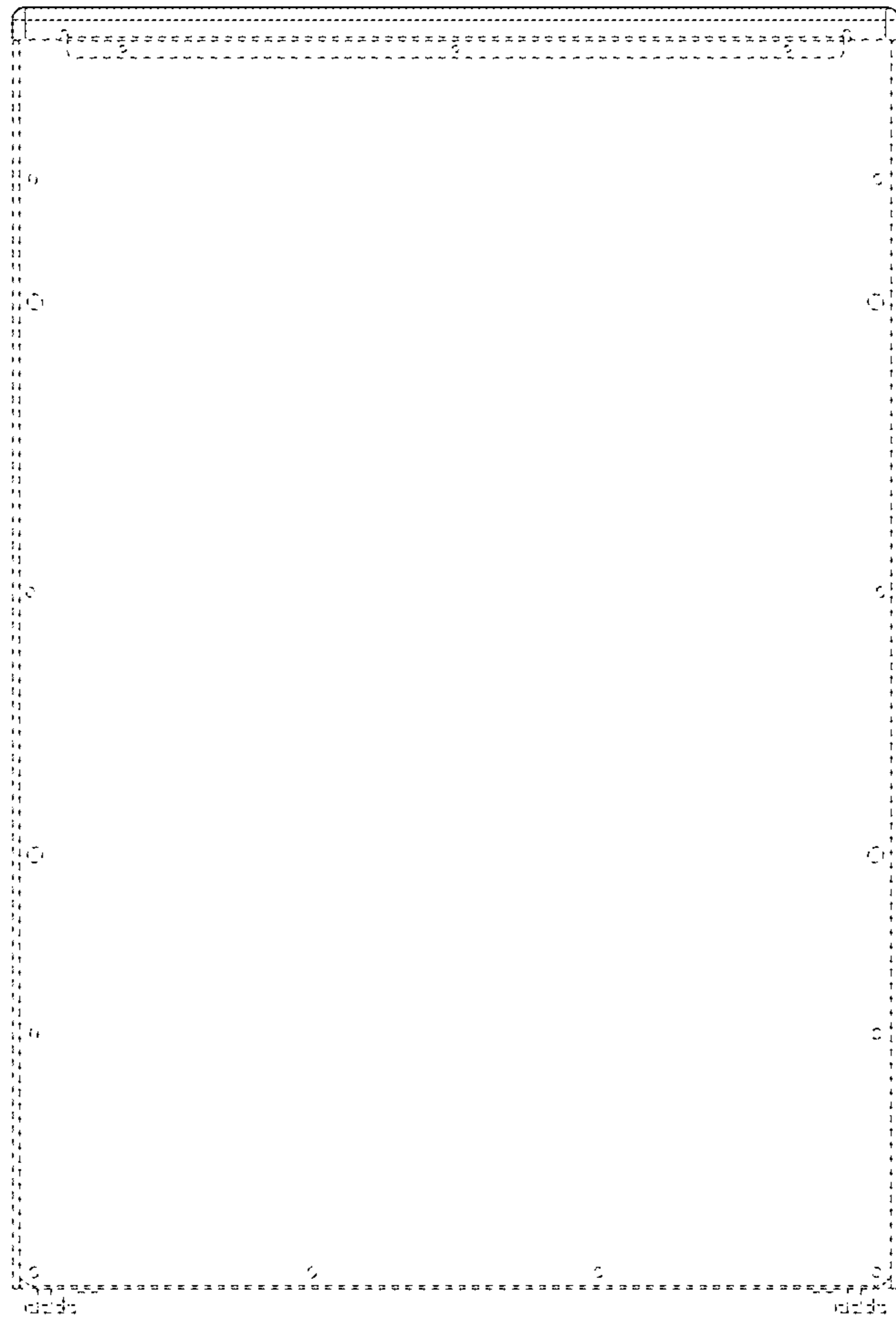


FIG. 3

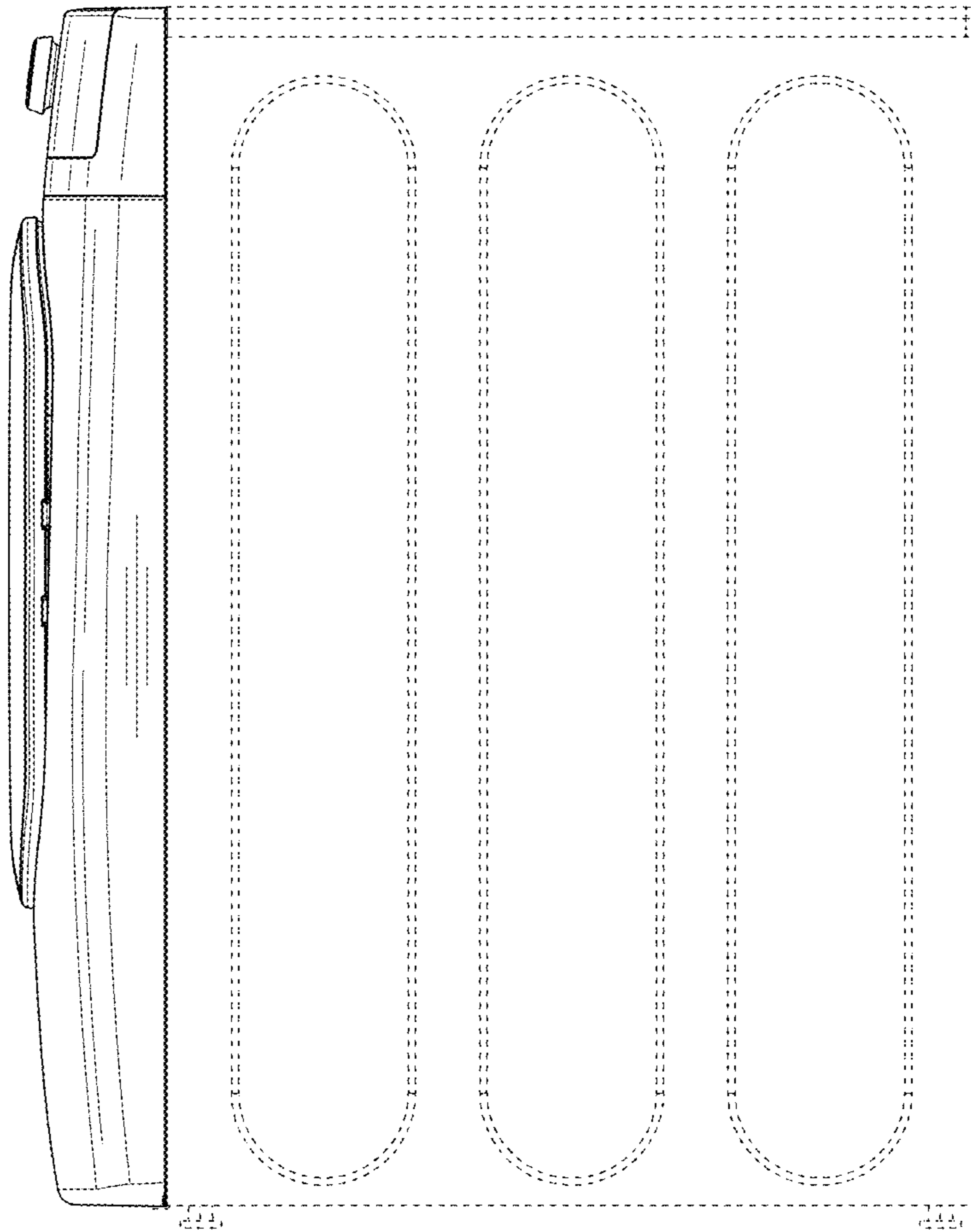


FIG. 4

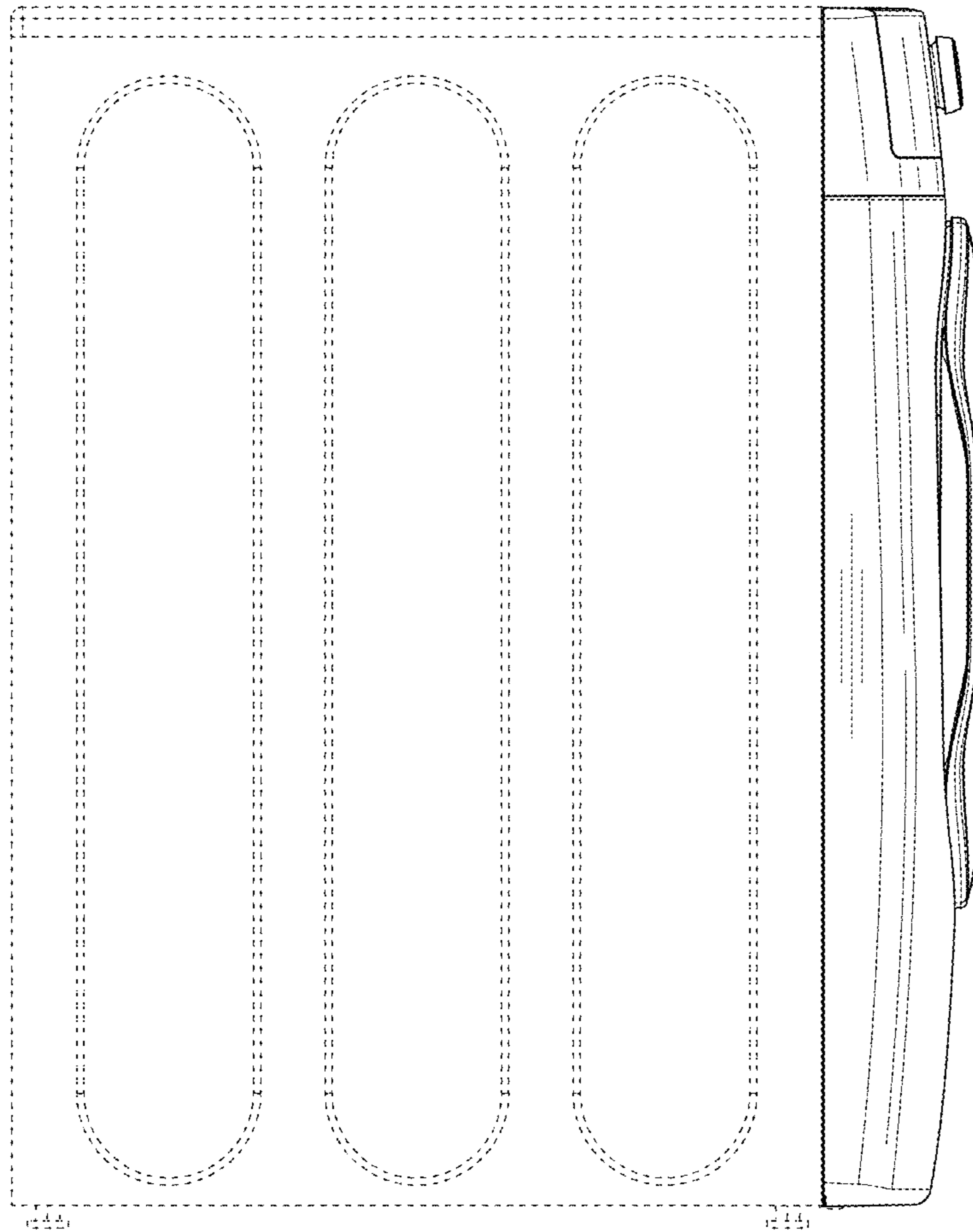


FIG. 5

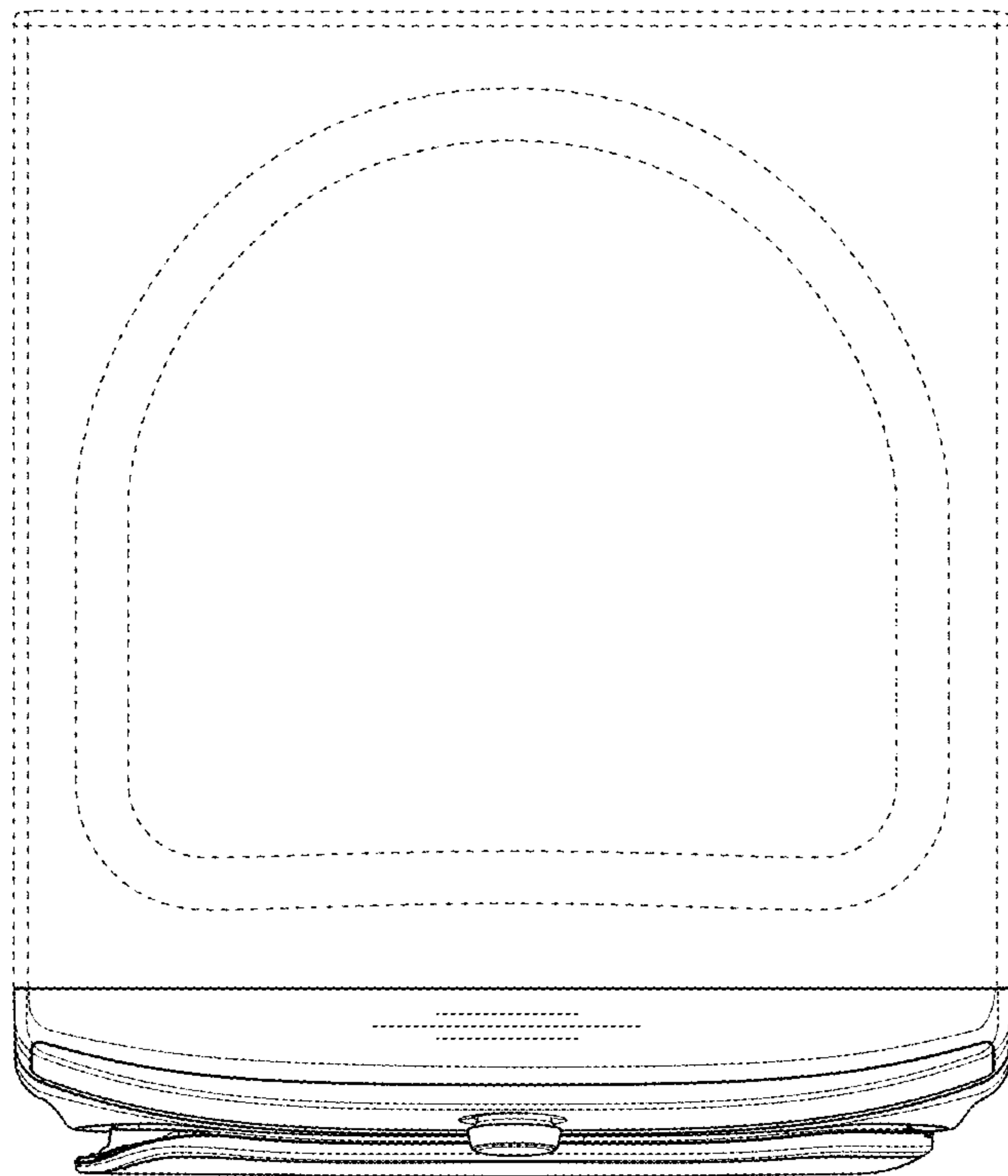


FIG. 6

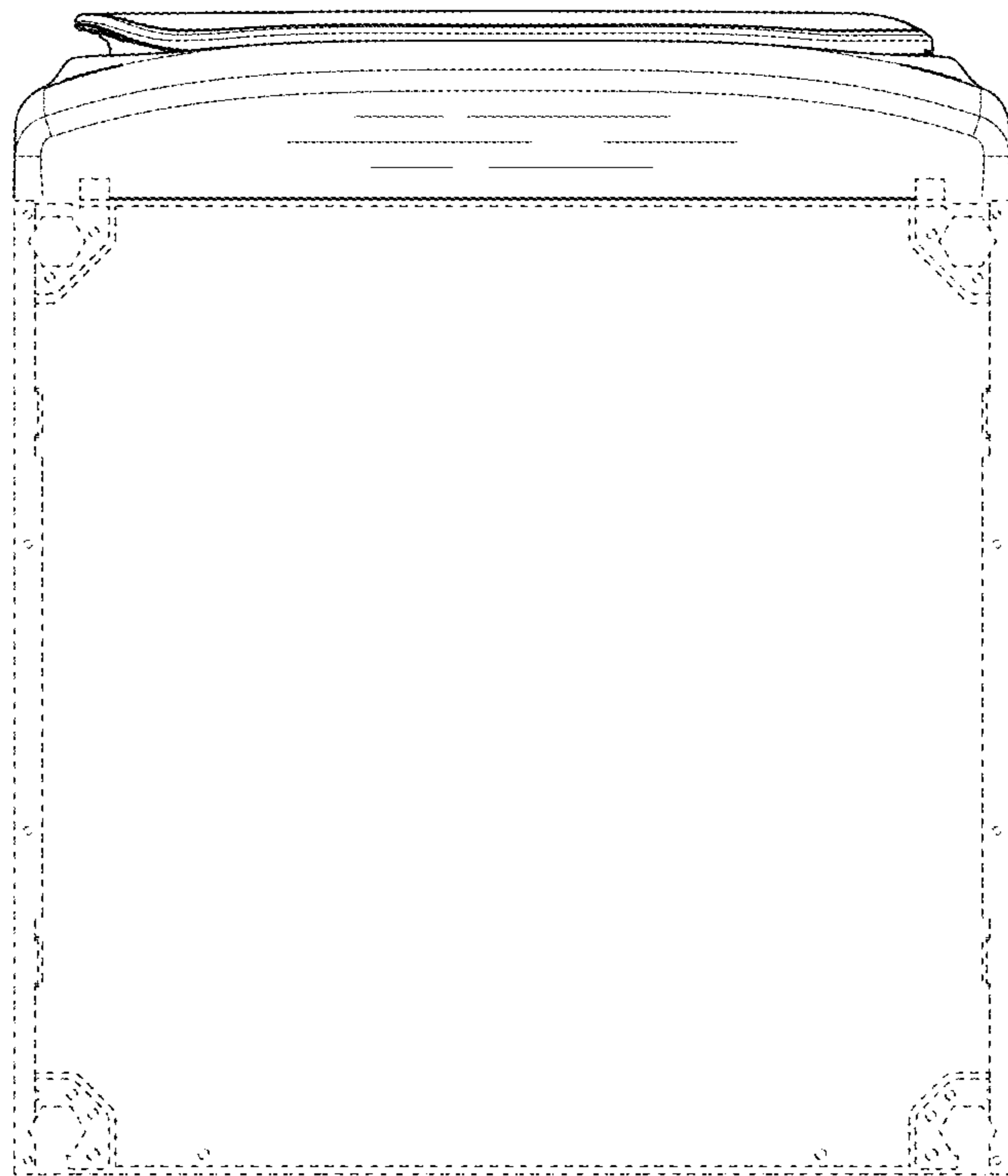


FIG. 7