



US00D874752S

(12) **United States Design Patent** (10) **Patent No.:** **US D874,752 S**
Lee et al. (45) **Date of Patent:** **** Feb. 4, 2020**

- (54) **WASHING MACHINE**
- (71) Applicant: **Samsung Electronics Co., Ltd.**,
Suwon-si (KR)
- (72) Inventors: **Dae-Kyun Lee**, Suwon-si (KR);
Hwa-Yong Shin, Anyang-si (KR)
- (73) Assignee: **Samsung Electronics Co., Ltd.**,
Suwon-si (KR)
- (**) Term: **15 Years**
- (21) Appl. No.: **29/688,535**
- (22) Filed: **Apr. 23, 2019**

Related U.S. Application Data

- (62) Division of application No. 29/617,510, filed on Sep. 14, 2017.

(30) **Foreign Application Priority Data**

Mar. 30, 2017 (KR) 30-2017-0014824
 Mar. 30, 2017 (KR) 30-2017-0014828

- (51) **LOC (12) Cl.** **15-05**
- (52) **U.S. Cl.**
USPC **D32/6**
- (58) **Field of Classification Search**
USPC D32/6, 29.1, 29, 28, 25, 8, 1, 5, 10;
134/113
CPC D06F 39/045; D06F 25/00; D06F 39/022;
D06F 37/28; A47L 15/4418
See application file for complete search history.

(56) **References Cited**

U.S. PATENT DOCUMENTS

6,508,085 B1 * 1/2003 Byrne D06F 37/28
134/113
D527,853 S * 9/2006 Carey D32/6

D532,941 S * 11/2006 Carey D32/6
 D538,488 S * 3/2007 Carey D32/6
 D575,464 S * 8/2008 Rossetto D32/8
 D597,711 S * 8/2009 Nam D32/6
 D620,656 S * 7/2010 Bixby D32/25
 D682,492 S * 5/2013 Chung D32/6
 D703,887 S * 4/2014 Lee D32/8
 D730,597 S * 5/2015 Jeon D32/8
 D738,582 S * 9/2015 Chung D32/6
 D758,031 S * 5/2016 Bixby D32/25
 D758,032 S * 5/2016 Bixby D32/25
 D760,968 S * 7/2016 Choi D32/8
 D776,886 S * 1/2017 Choi D32/8
 D778,010 S * 1/2017 Choi D32/8
 D795,511 S * 8/2017 Jeon D32/6
 D795,512 S * 8/2017 Joo D32/8
 D798,511 S 9/2017 Bixby et al.
 D817,568 S 5/2018 Ha et al.
 D818,219 S 5/2018 Bixby et al.

(Continued)

Primary Examiner — Cynthia Ramirez
Assistant Examiner — Laura H Yu
 (74) *Attorney, Agent, or Firm* — NSIP Law

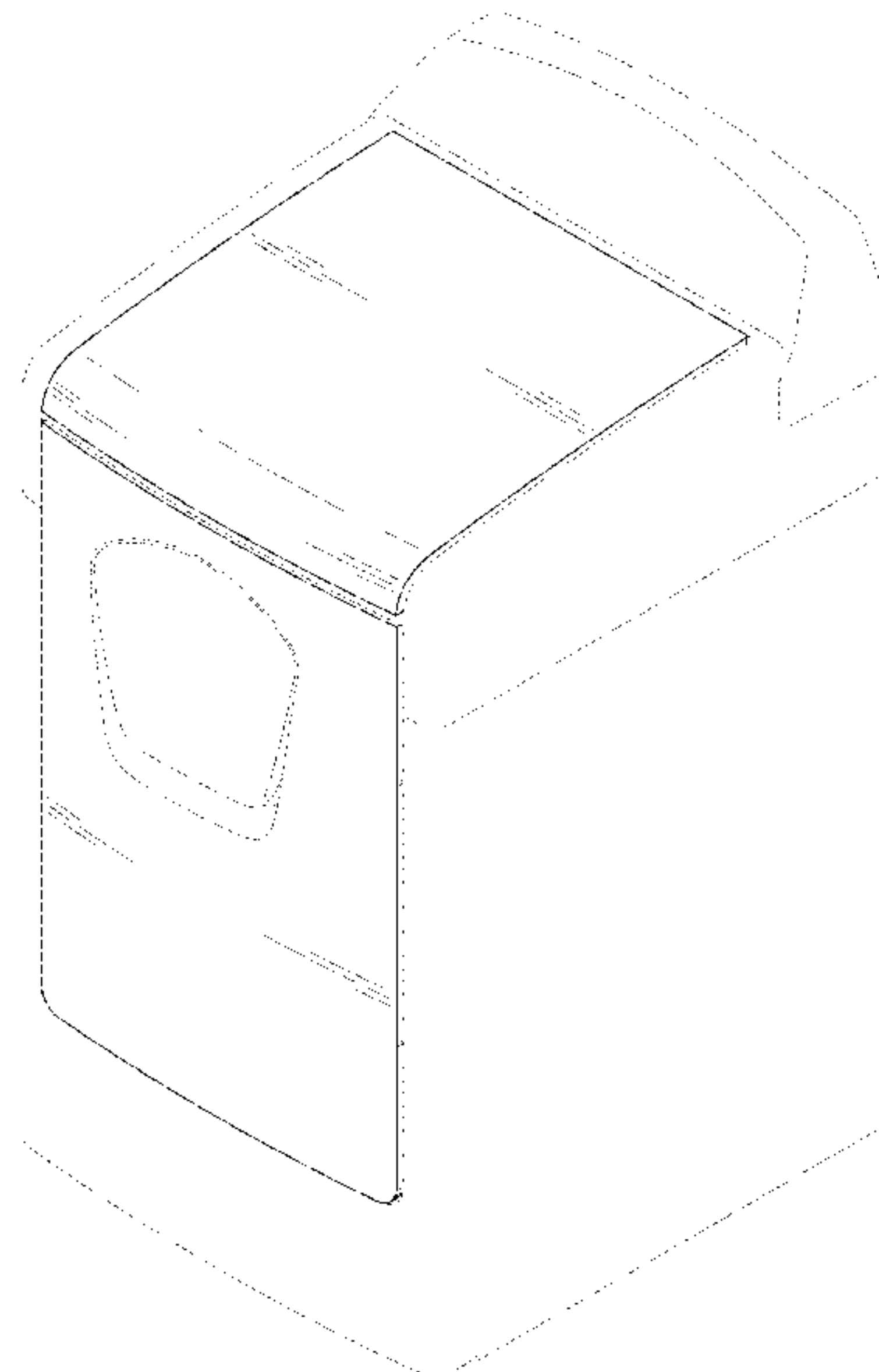
(57) **CLAIM**

We claim the ornamental design for a washing machine, as shown and described.

DESCRIPTION

FIG. 1 is a front perspective view of a washing machine showing our new design;
 FIG. 2 is a front view thereof;
 FIG. 3 is a rear view thereof;
 FIG. 4 is a left-side view thereof;
 FIG. 5 is a right-side view thereof;
 FIG. 6 is a top view thereof; and,
 FIG. 7 is a bottom view thereof.
 The evenly-dashed broken lines in the figures depict portions of the washing machine which form no part of the claimed design.

1 Claim, 7 Drawing Sheets



(56)

References Cited

U.S. PATENT DOCUMENTS

D832,534 S	10/2018	Ha et al.
D833,091 S	11/2018	Ayers et al.
D835,864 S	12/2018	Ha et al.
D839,503 S	1/2019	Ha et al.
D839,506 S	1/2019	Ha et al.

* cited by examiner

FIG. 1

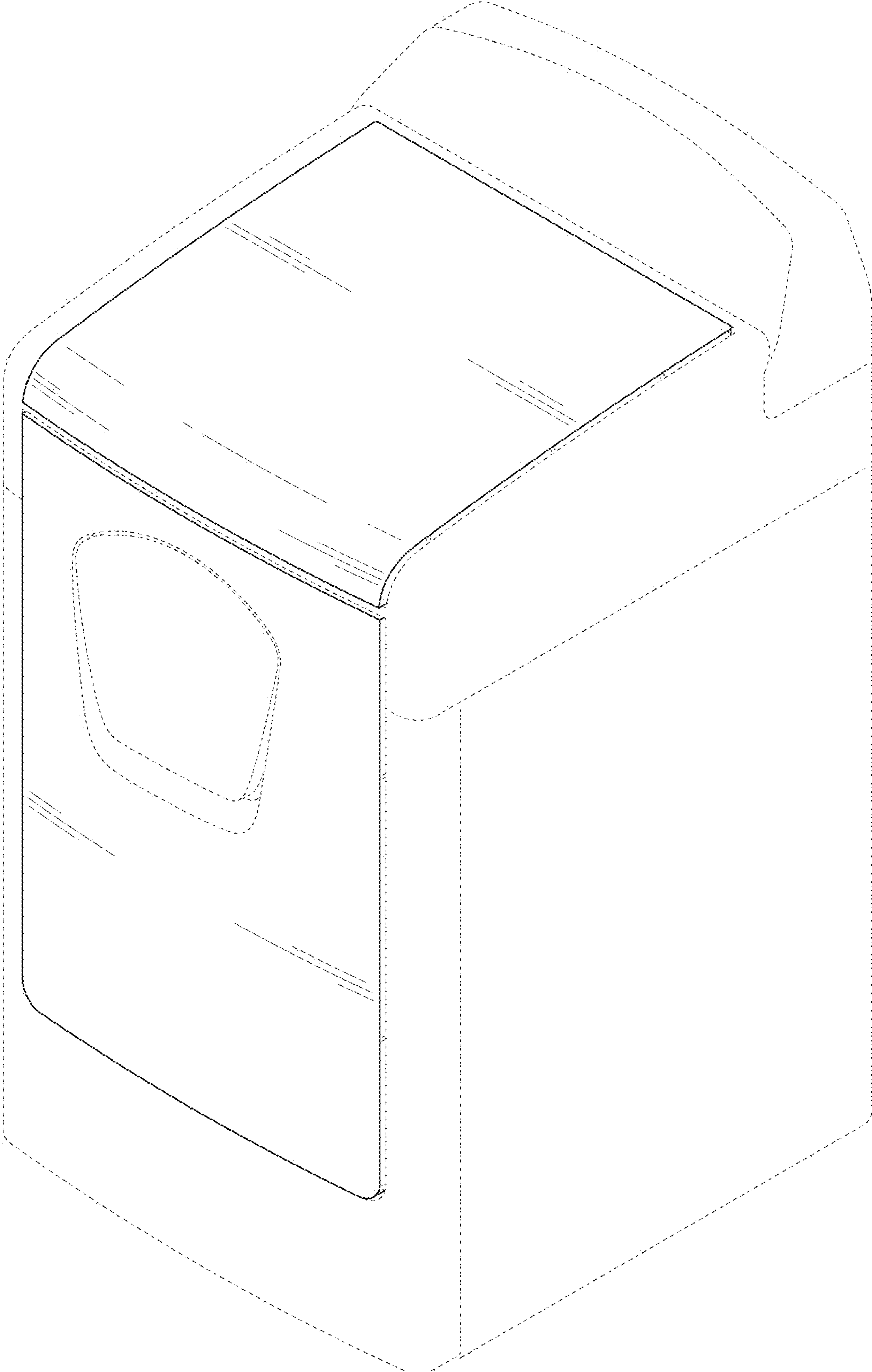


FIG. 2

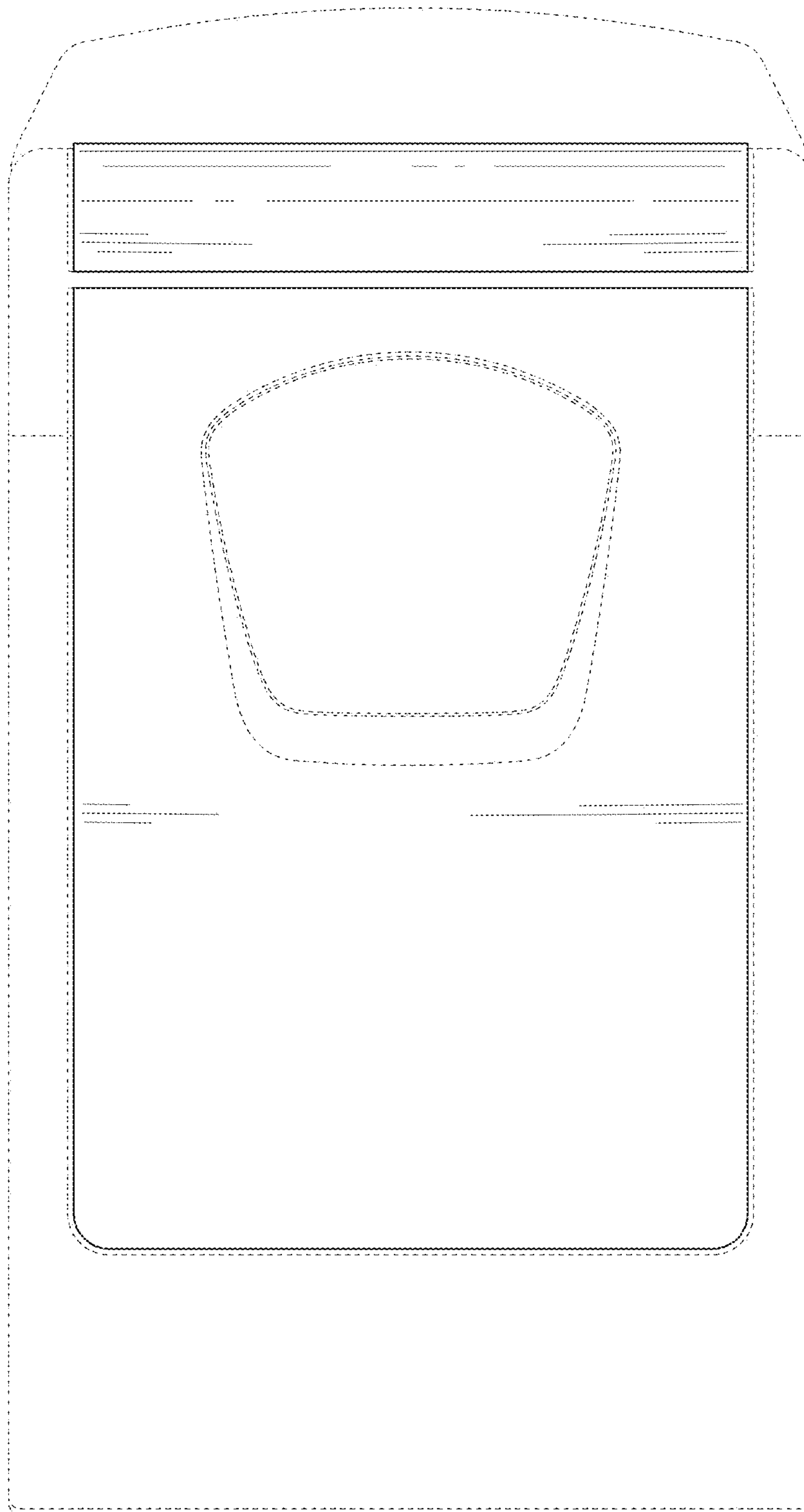


FIG. 3

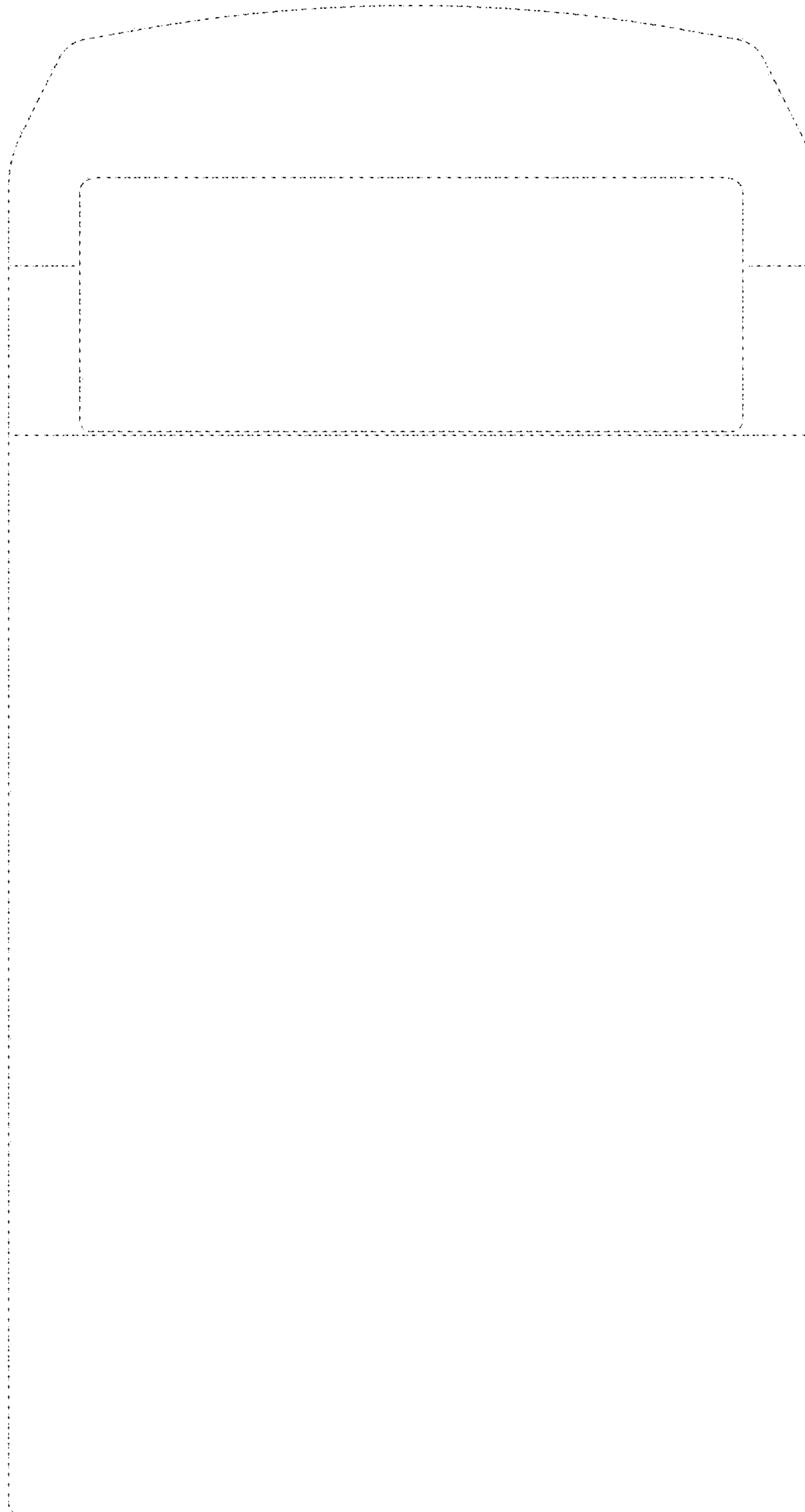


FIG. 4

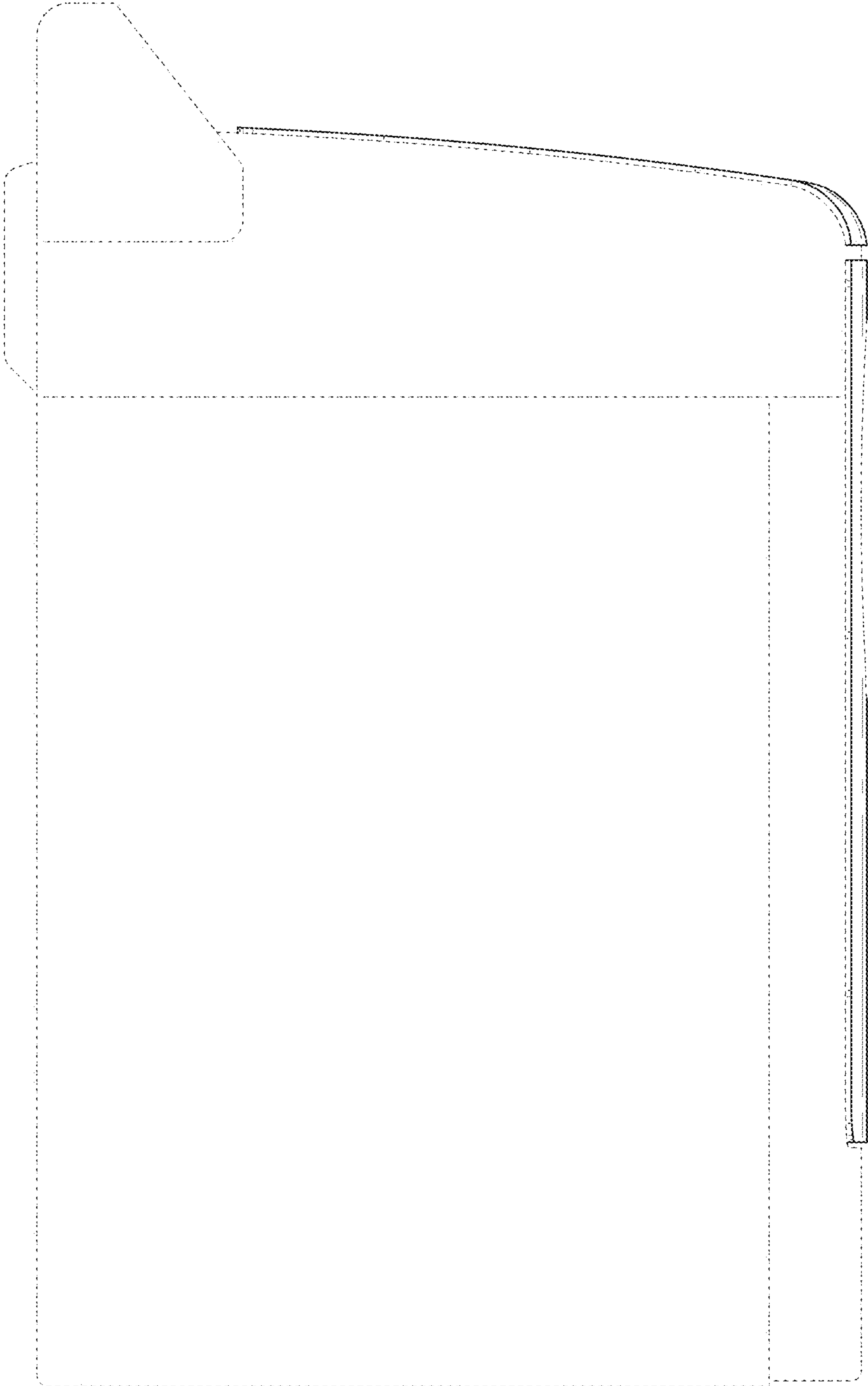


FIG. 5

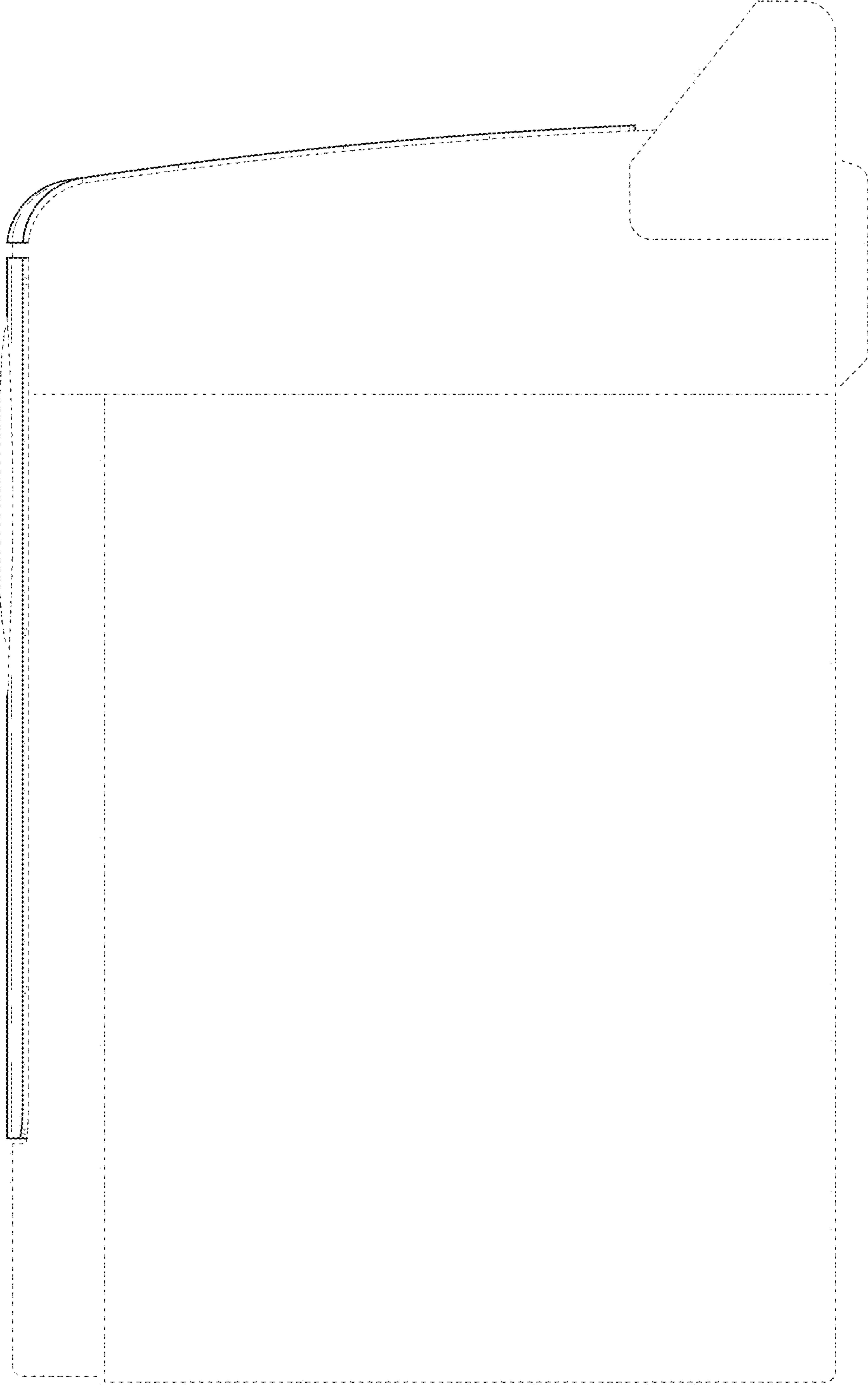


FIG. 6

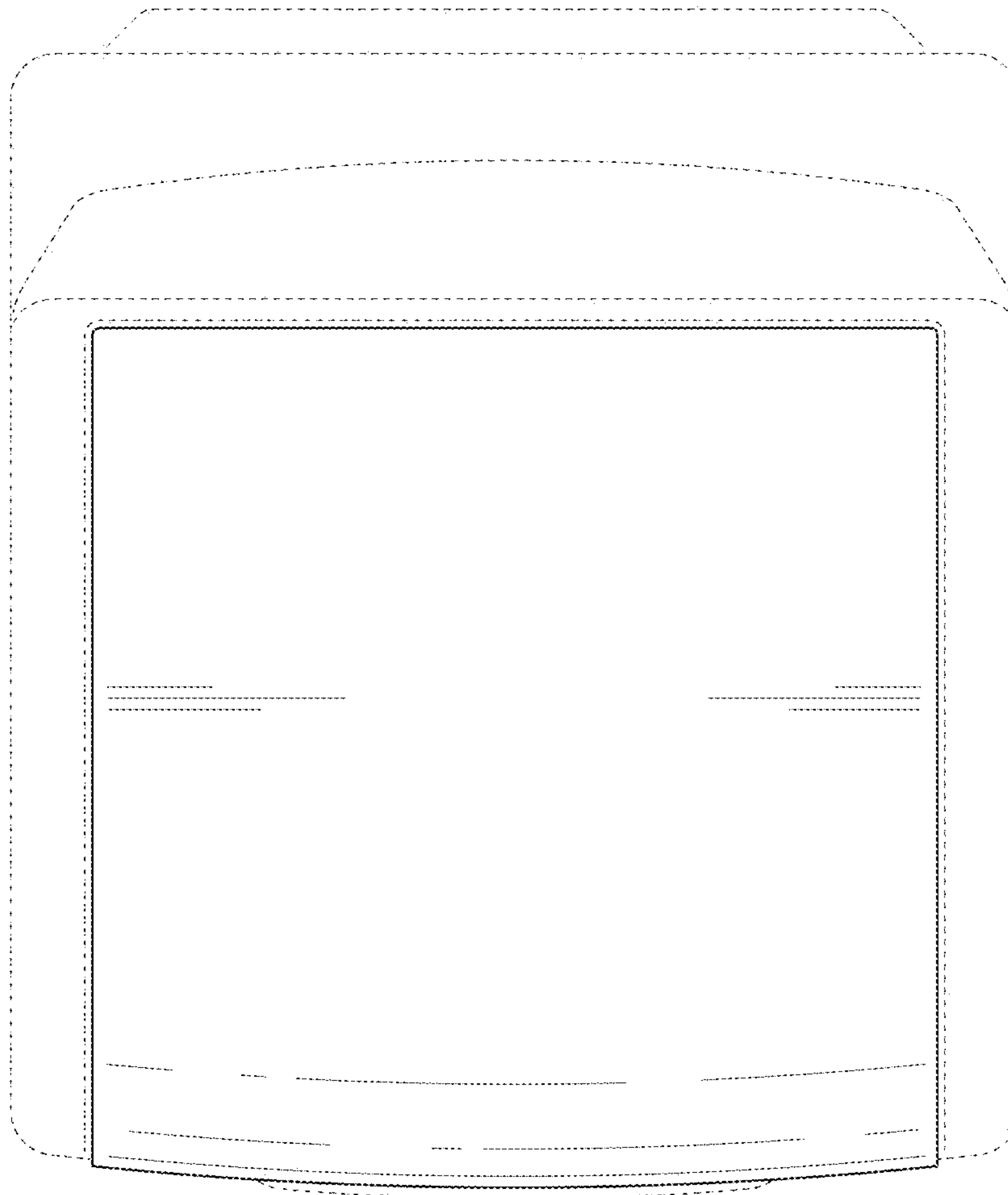


FIG. 7

