



US00D874751S

(12) **United States Design Patent**
Smith

(10) **Patent No.:** **US D874,751 S**
(45) **Date of Patent:** **** Feb. 4, 2020**

(54) **HANDHELD ANIMAL WASTE COLLECTION APPARATUS**

(71) Applicant: **I and L Investments Pty Ltd**, Victoria (AU)

(72) Inventor: **Ian Smith**, Victoria (AU)

(73) Assignee: **I and L Investments Pty Ltd.**, Nunawading, Victoria (AU)

(**) Term: **15 Years**

(21) Appl. No.: **29/625,462**

(22) Filed: **Nov. 9, 2017**

(30) **Foreign Application Priority Data**

May 9, 2017 (AU) 201712762

(51) **LOC (12) Cl.** **30-99**

(52) **U.S. Cl.**
USPC **D30/162**

(58) **Field of Classification Search**
USPC D30/162, 199; 273/447; D8/1, 13, 10,
D8/11, 14, 6; D34/1, 10, 28, 34, 35;
(Continued)

(56) **References Cited**

U.S. PATENT DOCUMENTS

452,358 A * 5/1891 Bishop A47L 13/52
15/257.2
1,982,849 A * 12/1934 Badger A47L 13/52
15/257.8

(Continued)

Primary Examiner — Susan Moon Lee

(74) *Attorney, Agent, or Firm* — Klarquist Sparkman, LLP

(57) **CLAIM**

I claim the ornamental design for an handheld animal waste collection apparatus, as shown and described.

DESCRIPTION

FIG. 1 is a rear elevation view of a handheld animal waste collection apparatus in accordance with the present design; FIG. 2 is a front elevation view of the apparatus of FIG. 1; FIG. 3 is a side elevation view of the apparatus of FIG. 1; FIG. 4 is a bottom view of the apparatus of FIG. 1; FIG. 5 is a top view of the apparatus of FIG. 1; FIG. 6 is a rear upper perspective view of the apparatus of FIG. 1; FIG. 7 is a rear lower perspective view of the apparatus of FIG. 1; FIG. 8 is a front upper perspective view of the apparatus of FIG. 1; FIG. 9 is a front lower perspective view of the apparatus of FIG. 1; FIG. 10 is a rear elevation view of the handheld animal waste collection apparatus according to a second embodiment; FIG. 11 is a front elevation view of the apparatus of FIG. 10; FIG. 12 is a side elevation view of the apparatus of FIG. 10; FIG. 13 is a bottom view of the apparatus of FIG. 10; FIG. 14 is a top view of the apparatus of FIG. 10; FIG. 15 is a rear upper perspective view of the apparatus of FIG. 10; FIG. 16 is a rear lower perspective view of the apparatus of FIG. 10; FIG. 17 is a front upper perspective view of the apparatus of FIG. 10; FIG. 18 is a front lower perspective view of the apparatus of FIG. 10; FIG. 19 is a front upper perspective view of the receptacle component in the FIGS. 1, 10 and 29 embodiments of the handheld animal waste collection apparatus; FIG. 20 is a rear perspective view thereof; FIG. 21 is a front lower perspective view thereof; FIG. 22 is a first rear upper perspective view thereof; FIG. 23 is a second rear upper perspective view thereof; FIG. 24 is a top view thereof; FIG. 25 is a bottom view thereof; FIG. 26 is a side elevation view thereof; FIG. 27 is a front elevation view thereof; FIG. 28 is a rear elevation view thereof;

(Continued)

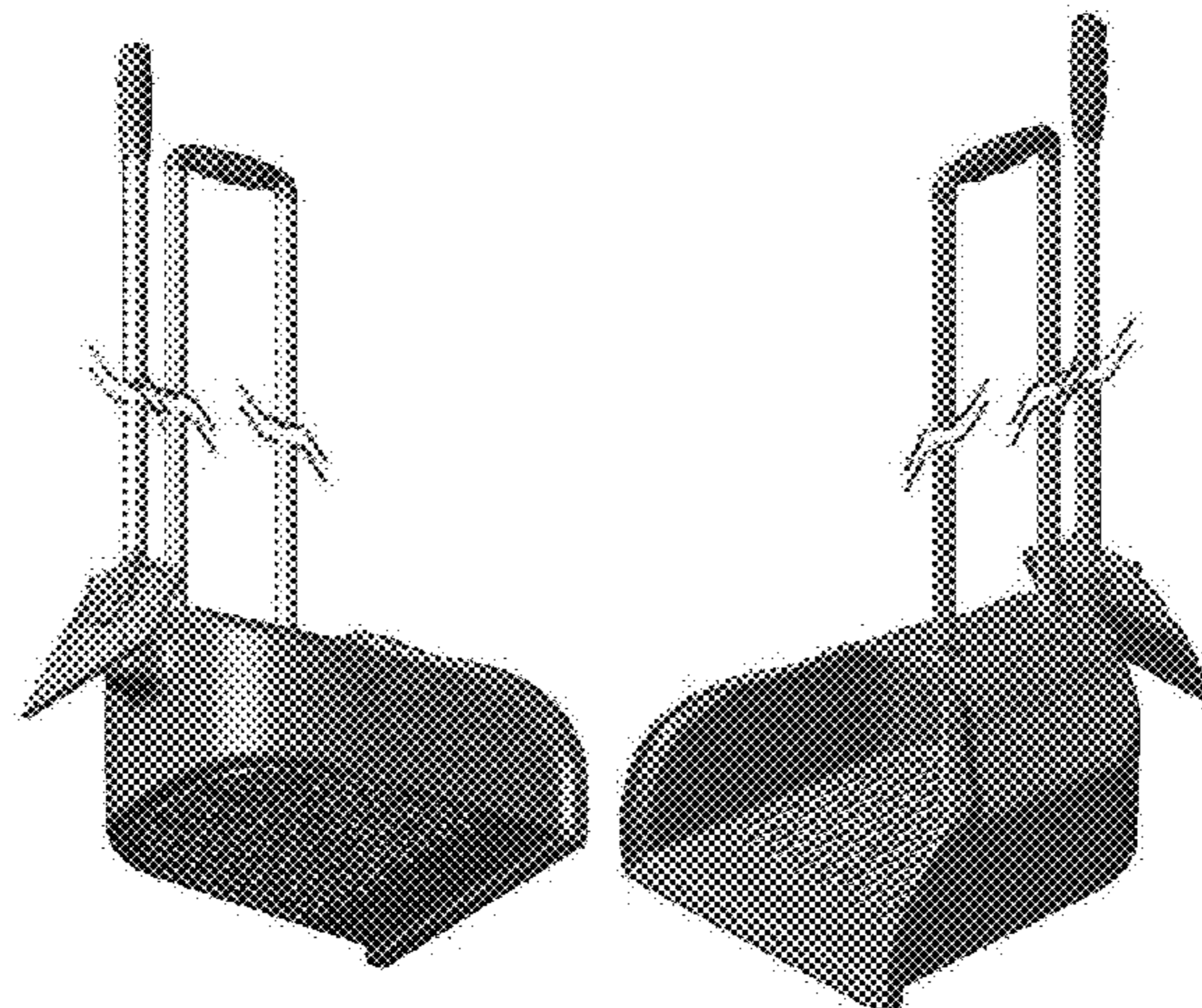


FIG. 29 is a rear elevation view of the handheld animal waste collection apparatus according to a third embodiment; FIG. 30 is a front elevation view of the apparatus of FIG. 29; FIG. 31 is a side elevation view of the apparatus of FIG. 29; FIG. 32 is a bottom elevation view of the apparatus of FIG. 29; FIG. 33 is a top elevation view of the apparatus of FIG. 29; FIG. 34 is a rear upper perspective view of the apparatus of FIG. 29; FIG. 35 is a rear lower perspective view of the apparatus of FIG. 29; and, FIG. 36 is a front upper perspective view of the apparatus of FIG. 29.

The handle stems of the handheld animal waste collection apparatus are shown with a symbolic break in length. The appearance of any portion of the article between the break lines forms no part of the claimed design.

1 Claim, 36 Drawing Sheets

(58) Field of Classification Search

USPC D21/532; D29/124; D7/642, 644, 683, D7/685, 686, 687, 688; 119/867, 161; 294/1.3-1.5, 19.2, 19.3, 86.4, 86.11, 294/86.19, 86.42, 86.12, 86.17, 86.2, 294/86.21, 86.24, 86.26, 86.32, 87.26, 294/196-198, 210, 111, 49-57; 132/273, 132/277, 283, 284, 128-156, 236, 252, 132/259-263; 15/257.1; 446/424-428, 446/491, 330, 86; 56/400.17, 400.01, 56/400.04-400.11, 400.1, 400.14, 400.16, 56/400.21; 172/371, 373-375, 378, 379, 172/381
CPC A01K 1/01; A01K 23/005; E01H 1/1206; E01H 1/12; E01H 1/1213; E01H 2001/122; E01H 2001/1226; E01H 2001/1233; E01H 2001/1246; E01H 2001/1293; A63H 17/266; A63H 17/12; A63H 17/26; A63H 23/005; A63H 23/16; A63H 33/3044; A63H 33/3072; B25J 1/02; B25J 1/06; A01B 1/20; A01B 1/22; A01B 1/227; A01D 7/00; A01D 7/02; A01D 7/04; A01D 7/06; A01D 7/08; A01D 7/10; A01D 11/00; A01D 11/06; B25G 1/00; E04D 15/00; E04D 15/003; E04D 15/006; Y10T 403/40; Y10T 403/46; Y10T 403/7005

See application file for complete search history.

(56) References Cited

U.S. PATENT DOCUMENTS

3,861,730 A * 1/1975 Ringo A47L 13/52 294/177
4,148,513 A * 4/1979 Gagne E01H 1/1206 15/104.8

4,200,321 A * 4/1980 Warkentin E01H 1/1206 15/104.8
D262,686 S * 1/1982 Anderson D30/162
4,368,907 A * 1/1983 Ross E01H 1/1206 294/1.4
D269,129 S * 5/1983 Manfre 294/179
D279,512 S * 7/1985 Schaffer D30/162
D281,107 S * 10/1985 Lordi D30/162
D283,062 S * 3/1986 Lordi 294/1.3
D283,262 S * 4/1986 Kline 294/1.4
D286,697 S * 11/1986 Martinen D32/50
D333,888 S * 3/1993 Visser 294/1.4
D347,497 S * 5/1994 VanSkiver 294/1.3
D351,265 S * 10/1994 Pierce 15/257.6
5,379,481 A * 1/1995 DeMars A47L 13/52 15/257.2
5,540,470 A * 7/1996 Lu E01H 1/1206 15/257.6
D381,778 S * 7/1997 Semo 294/1.4
5,674,141 A * 10/1997 Laforest A63B 59/70 473/559
D389,629 S * 1/1998 France D32/74
D391,131 S * 2/1998 Lehn D30/162
D393,121 S * 3/1998 Doin D32/74
5,799,360 A * 9/1998 Vosbikian A47L 13/52 15/159.1
D406,415 S * 3/1999 Martin D30/162
D409,804 S * 5/1999 Nunes D30/162
5,921,596 A * 7/1999 Sheriff B07B 1/02 209/418
6,023,812 A * 2/2000 Morad A47L 13/52 15/257.1
D428,676 S * 7/2000 Renforth D30/162
6,196,600 B1 * 3/2001 Miller E01H 1/1206 15/257.7
6,234,549 B1 * 5/2001 Brownell A01K 1/0114 294/1.3
6,732,402 B1 * 5/2004 Hsu A47L 13/52 15/257.6
D545,022 S * 6/2007 Morad D32/74
D551,820 S * 9/2007 Morad D32/74
D602,214 S * 10/2009 Petersen D30/162
D602,657 S * 10/2009 Petersen D30/162
D623,807 S * 9/2010 Teren D30/162
D634,490 S * 3/2011 Weber D30/162
D663,906 S * 7/2012 Pallant D30/162
D677,849 S * 3/2013 Petersen D32/74
D679,876 S * 4/2013 Teren D30/162
D687,204 S * 7/2013 Vasilakes D32/74
D695,471 S * 12/2013 Buhagiar D30/162
D734,911 S * 7/2015 Williams D32/74
D795,520 S * 8/2017 La Selva D32/74
D824,629 S * 7/2018 Libman D32/74
D824,630 S * 7/2018 Libman D32/74
10,034,593 B2 * 7/2018 Stewart A46B 5/0095
D845,574 S * 4/2019 Martino D32/74
D854,769 S * 7/2019 de Ferney D32/74
2005/0071943 A1 * 4/2005 Liu A47L 13/52 15/257.2
2008/0092321 A1 * 4/2008 Lin A47L 13/52 15/257.7
2012/0080894 A1 * 4/2012 Williamson A01K 23/005 294/1.4
2018/0317735 A1 * 11/2018 Dobson, III A47L 13/52

* cited by examiner

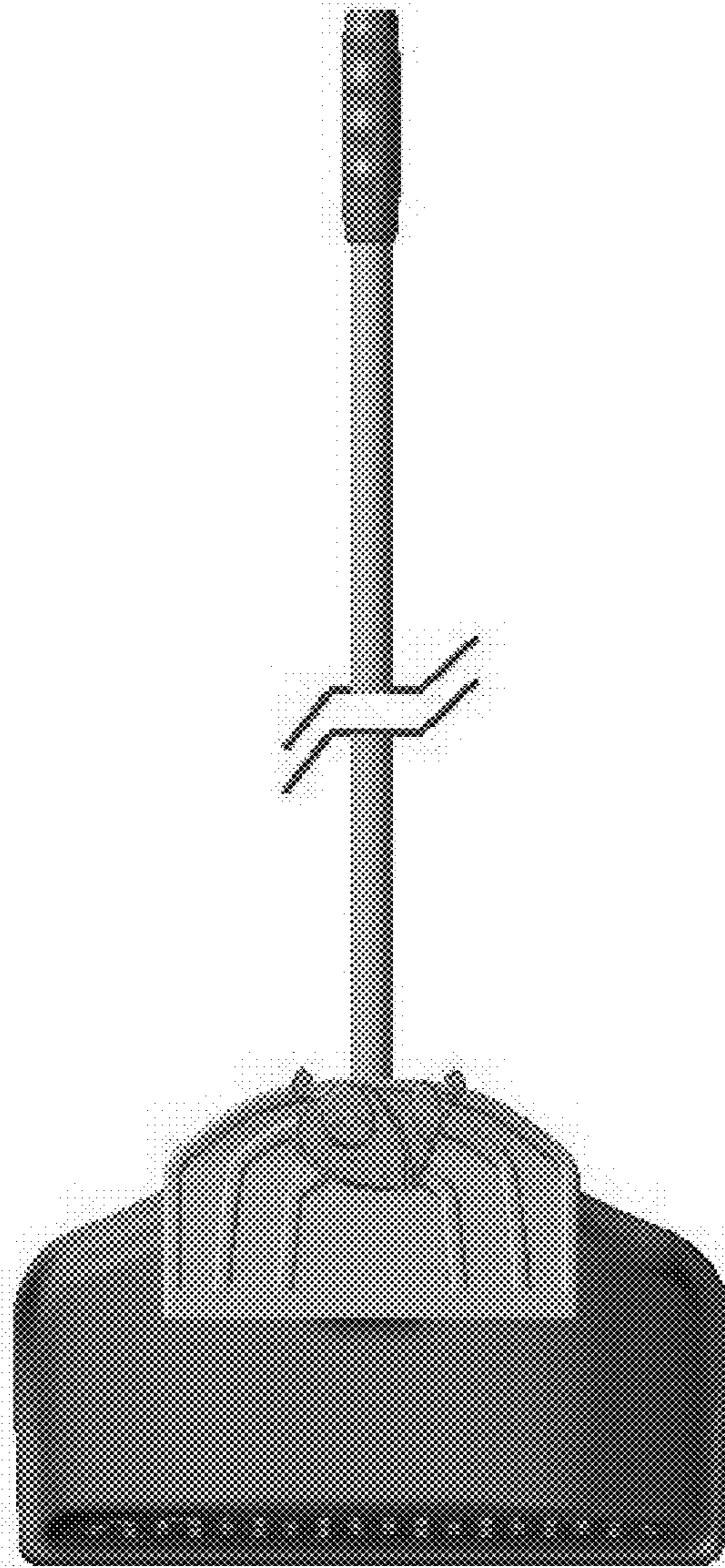


FIGURE 1

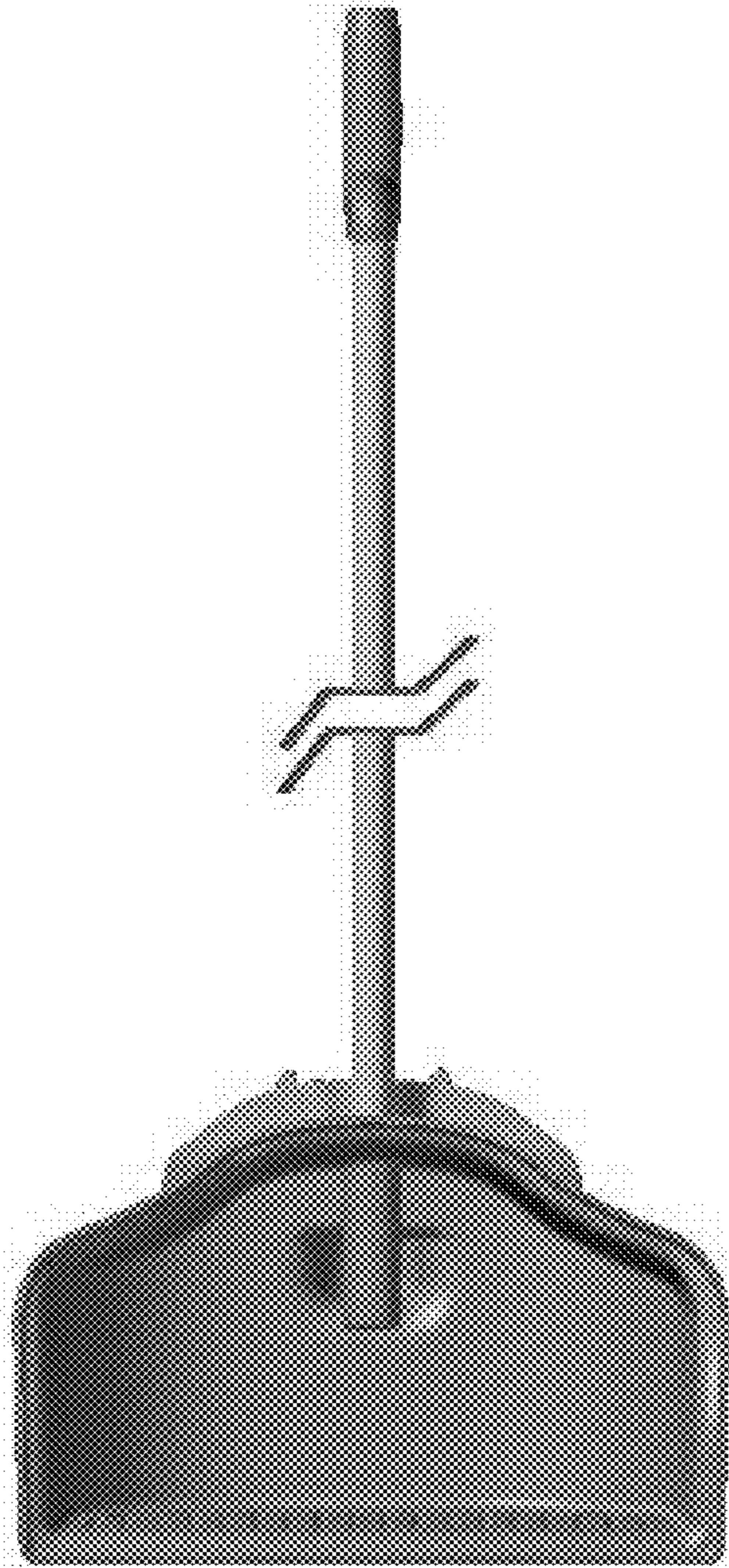


FIGURE 2

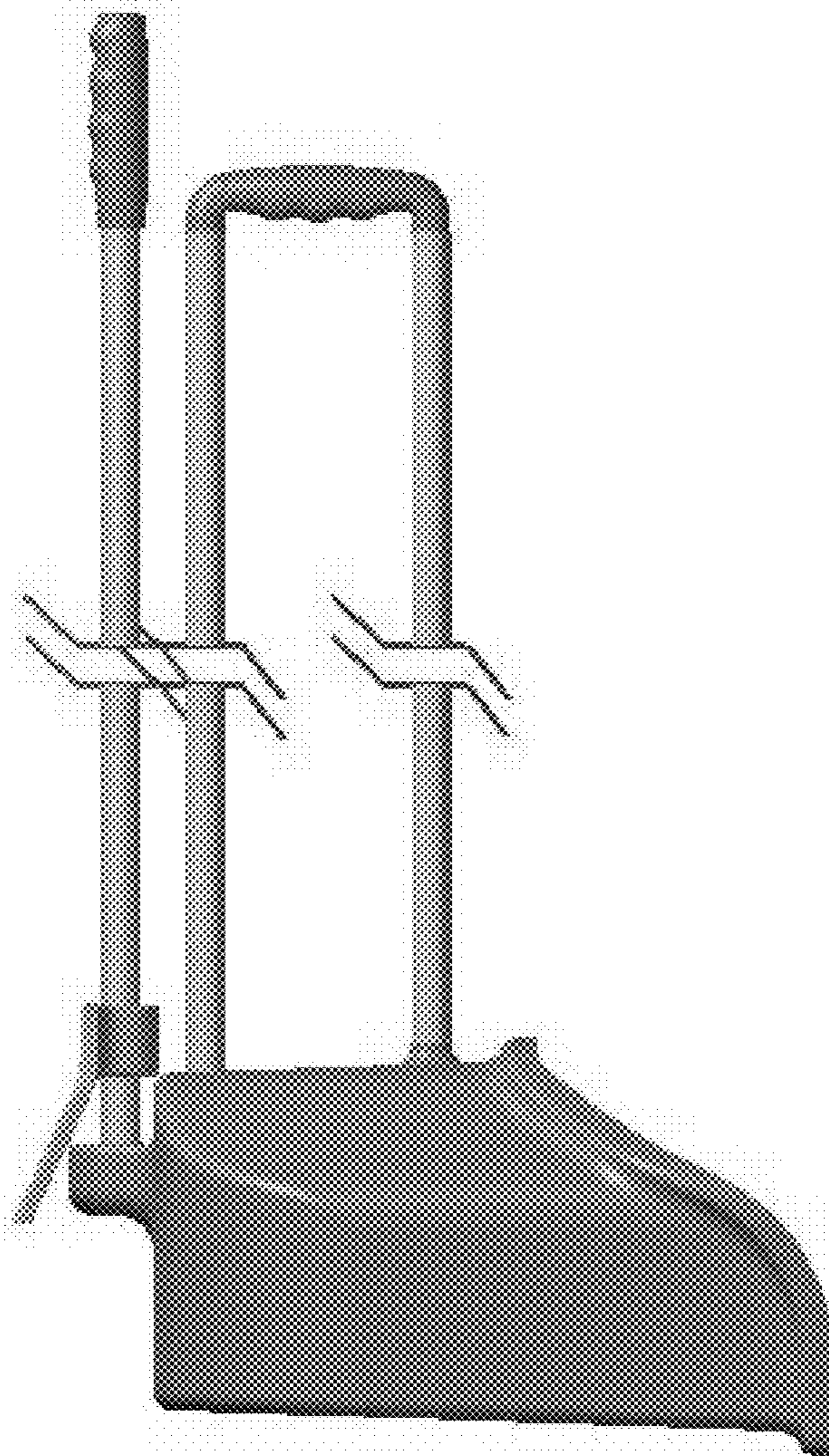


FIGURE 3

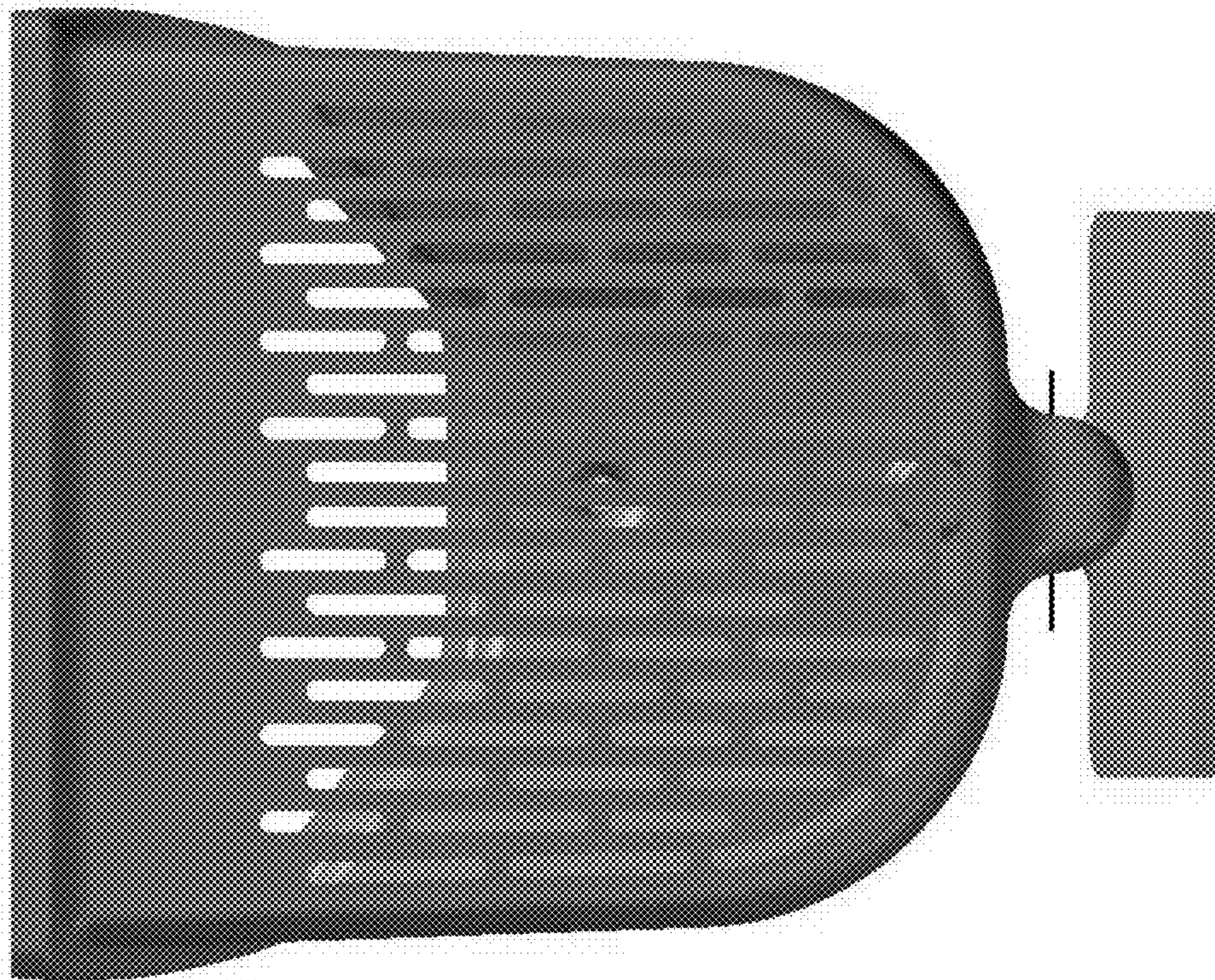


FIGURE 4

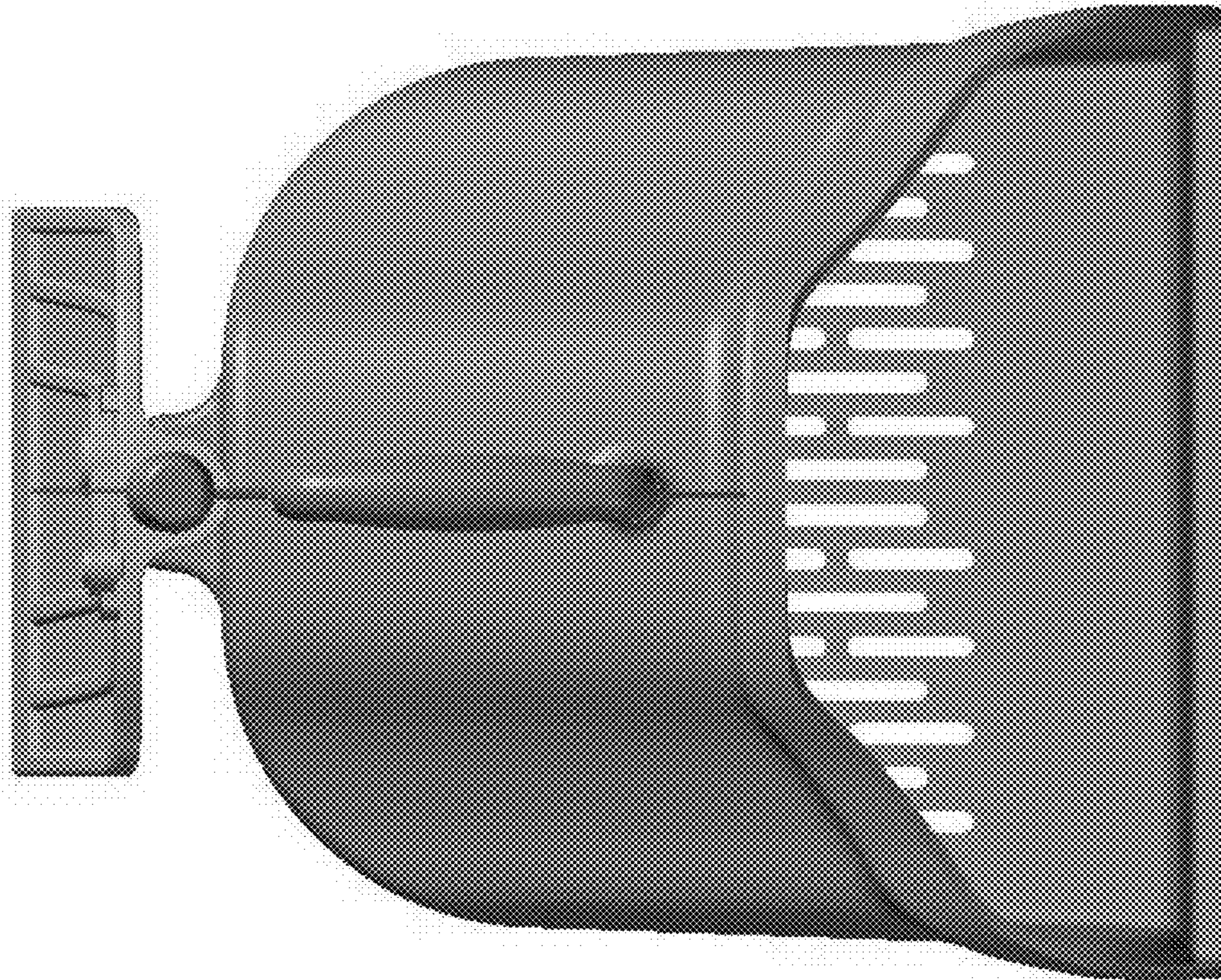


FIGURE 5

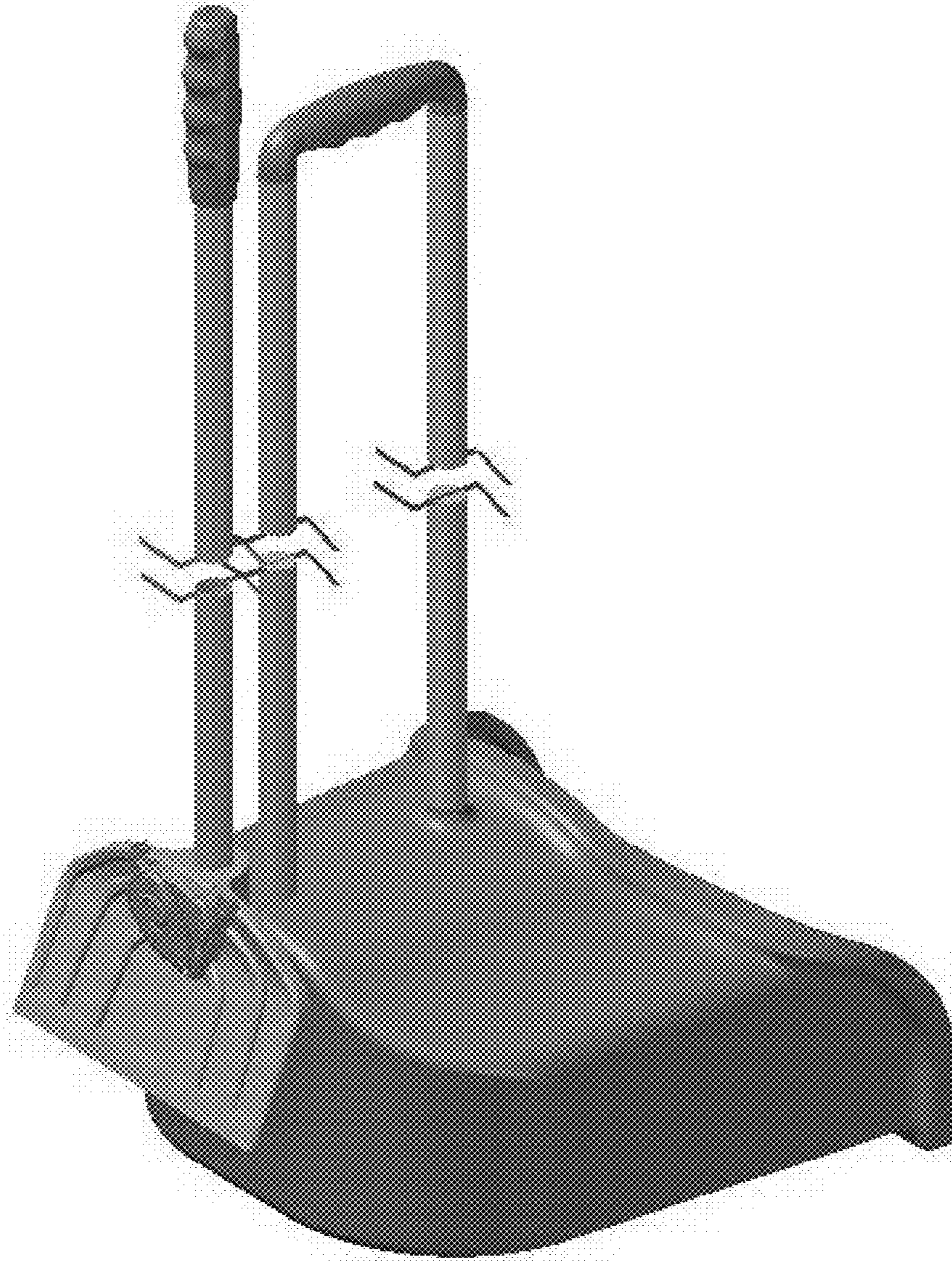


FIGURE 6

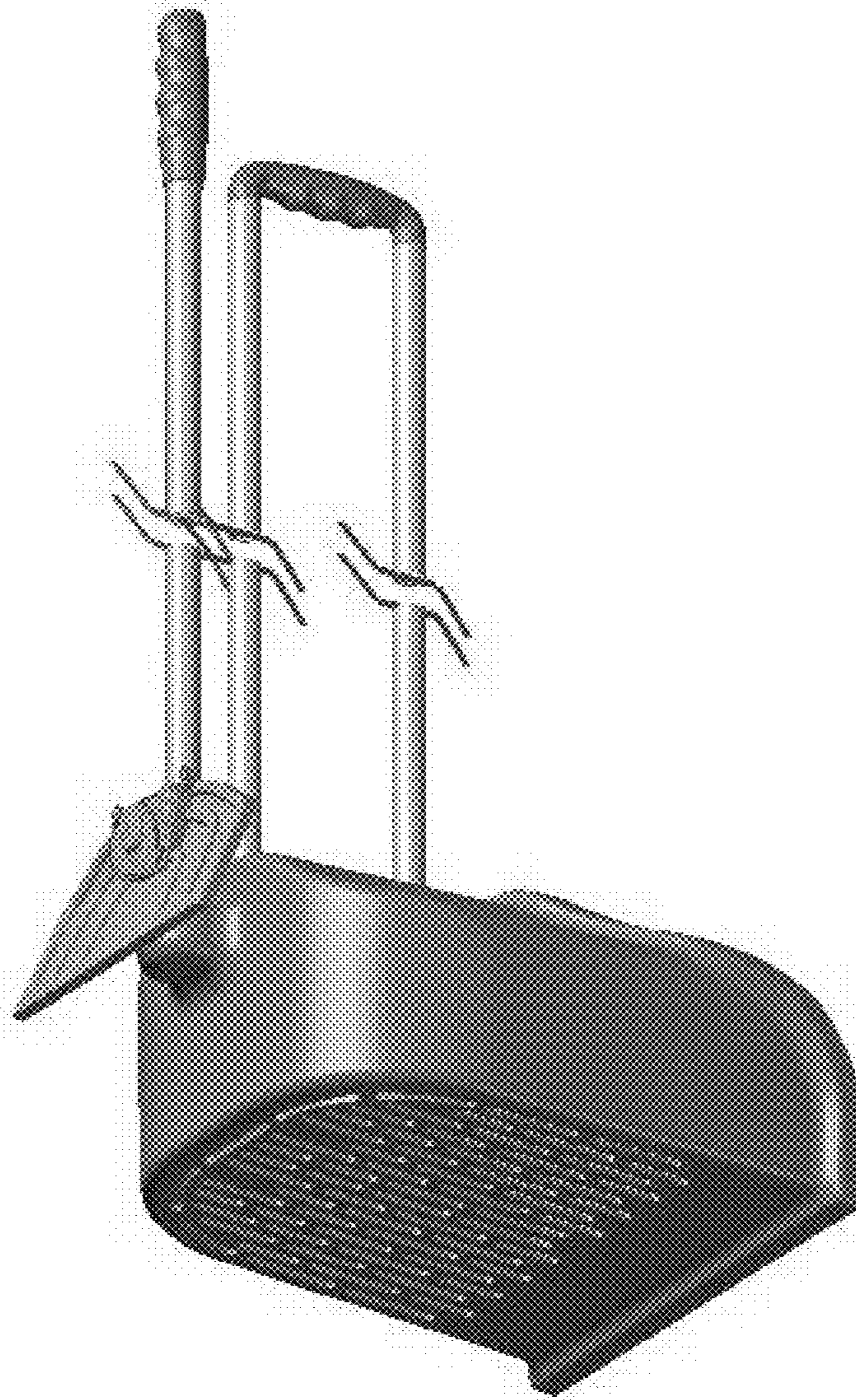


FIGURE 7

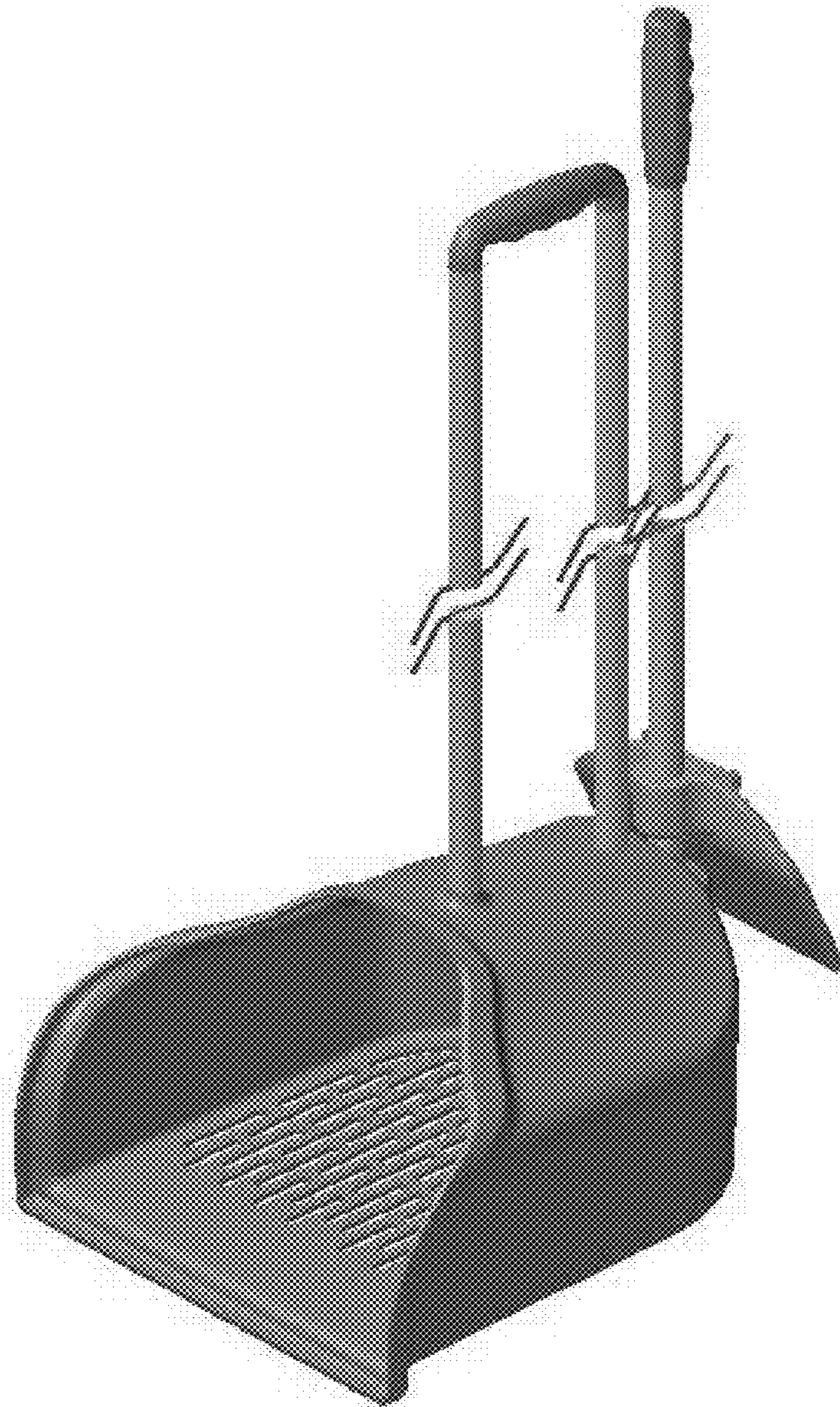


FIGURE 8

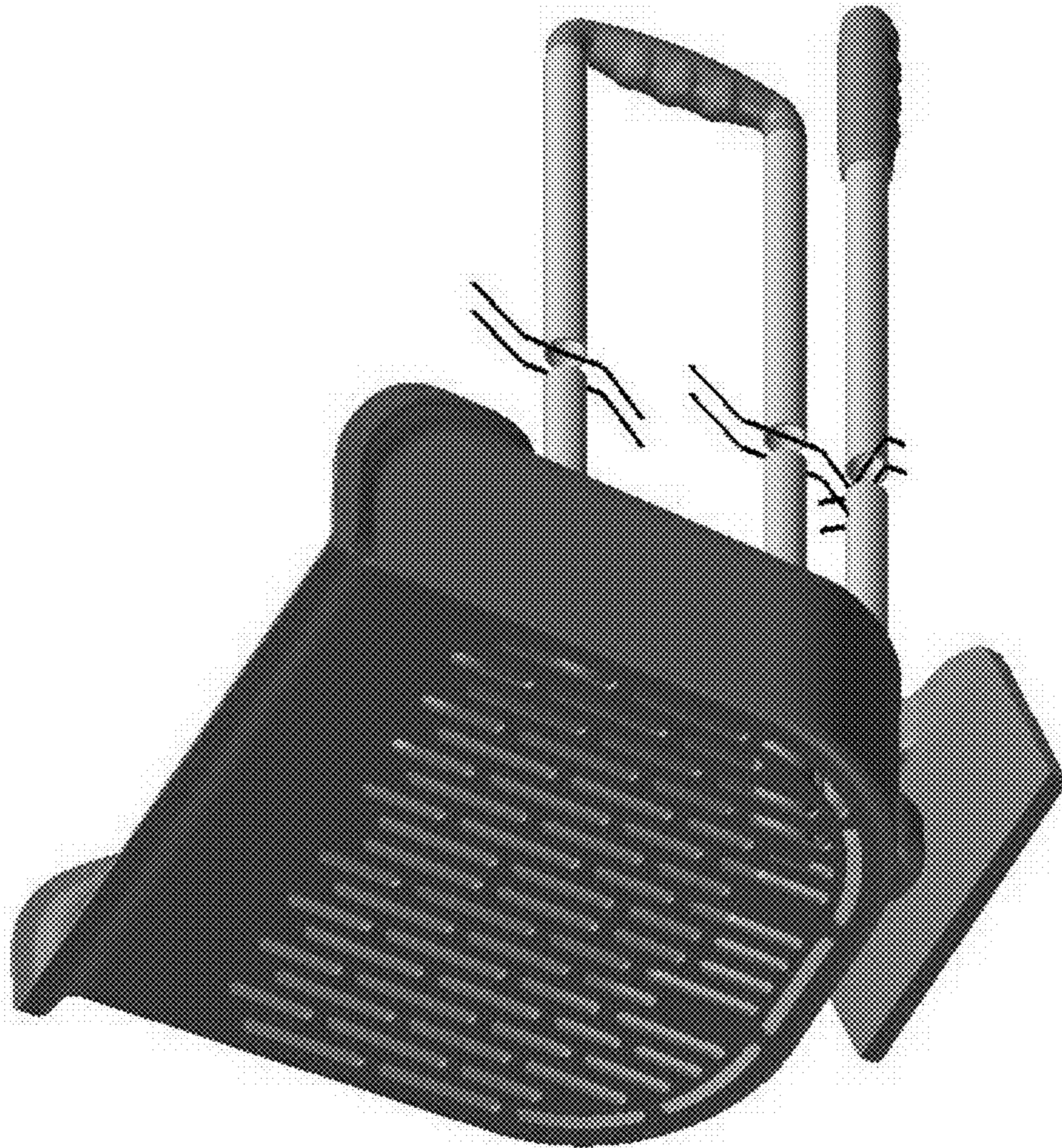


FIGURE 9

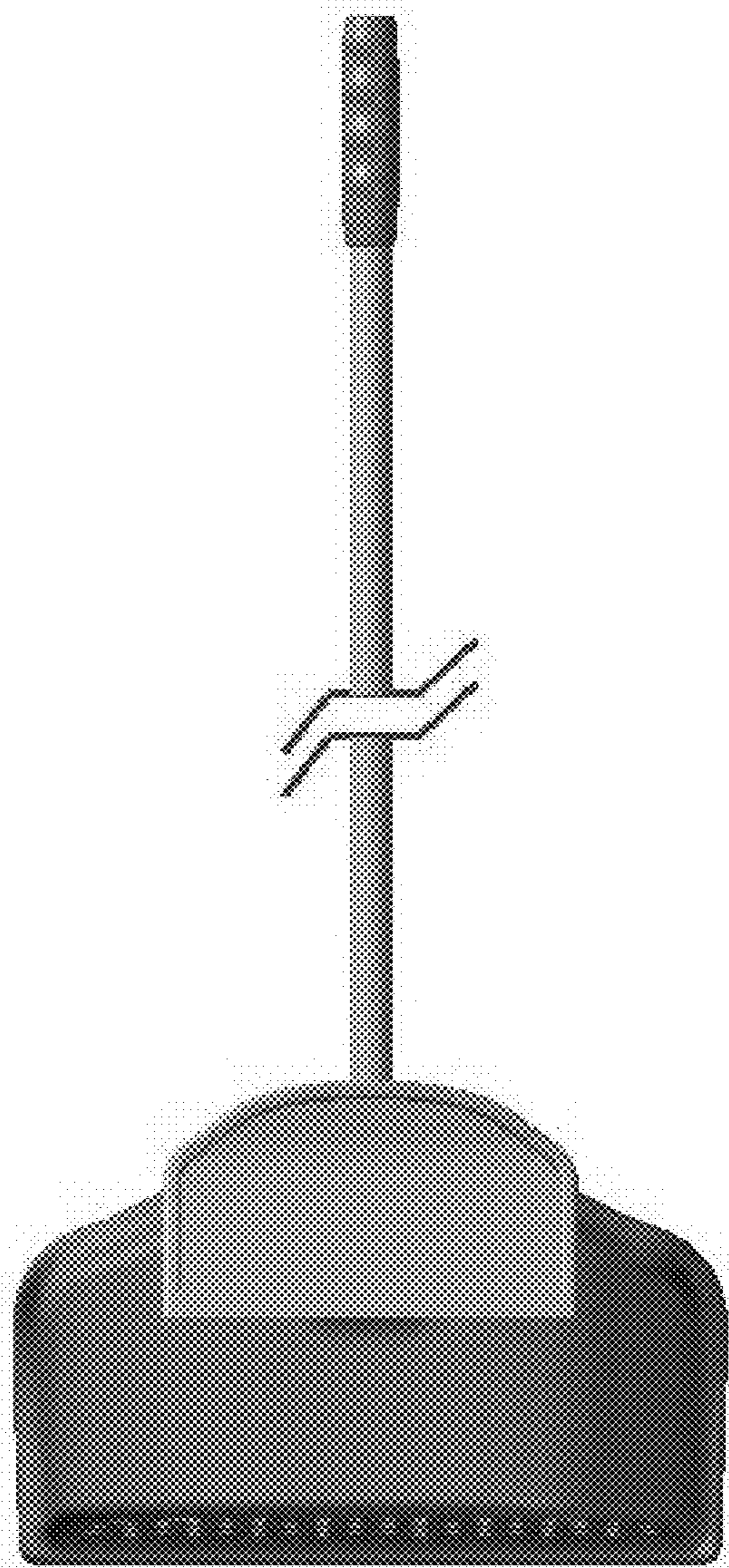


FIGURE 10

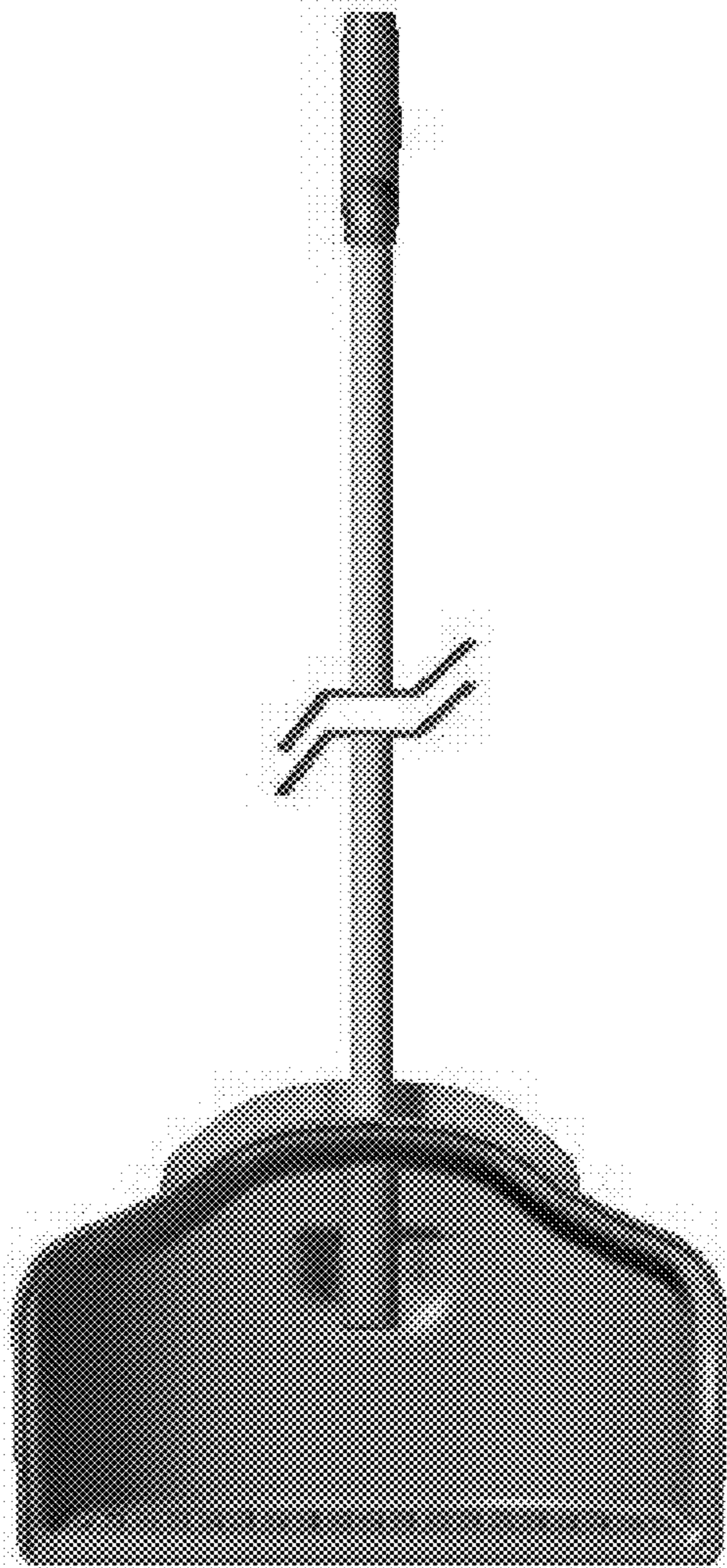


FIGURE 11

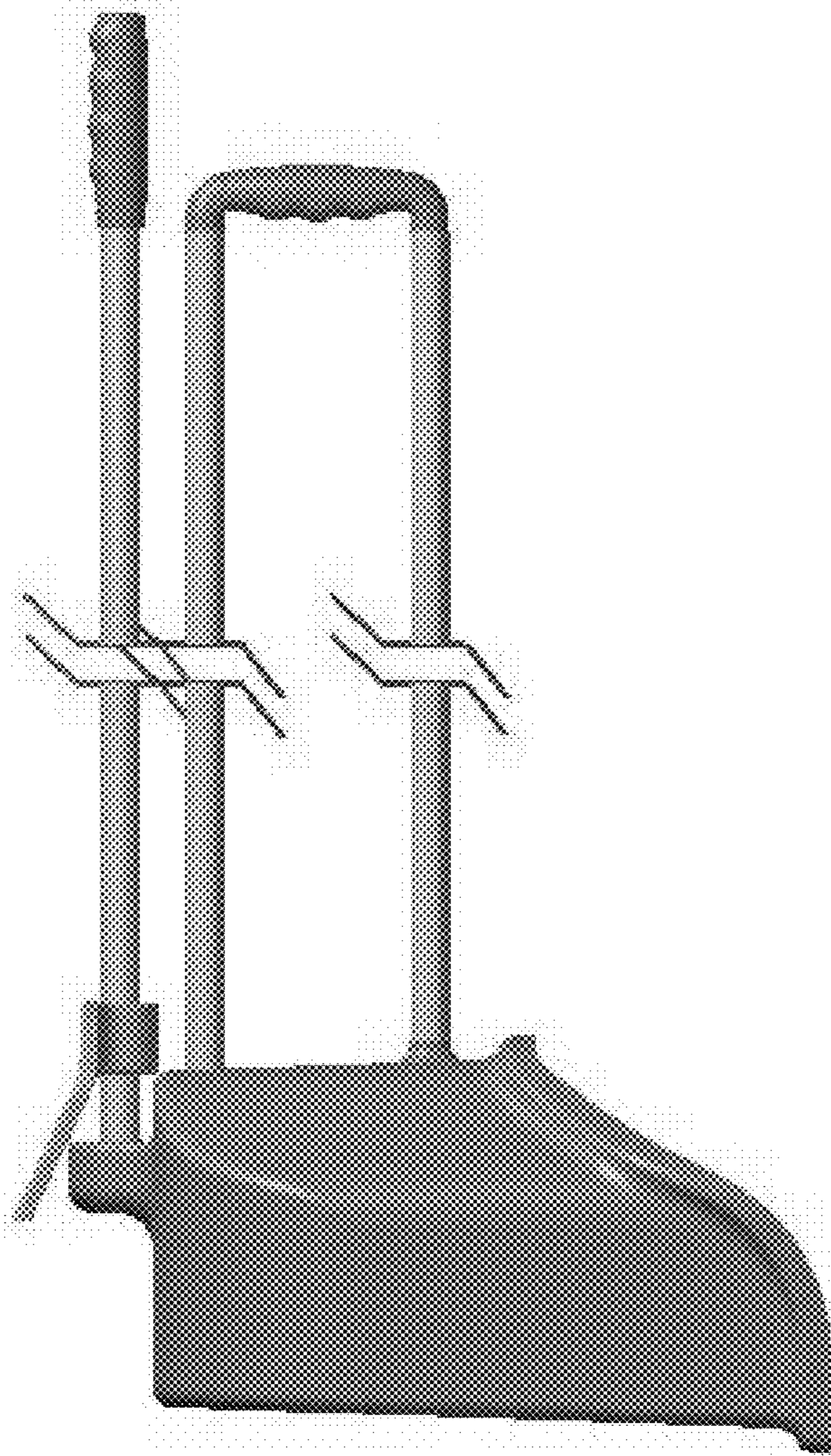


FIGURE 12

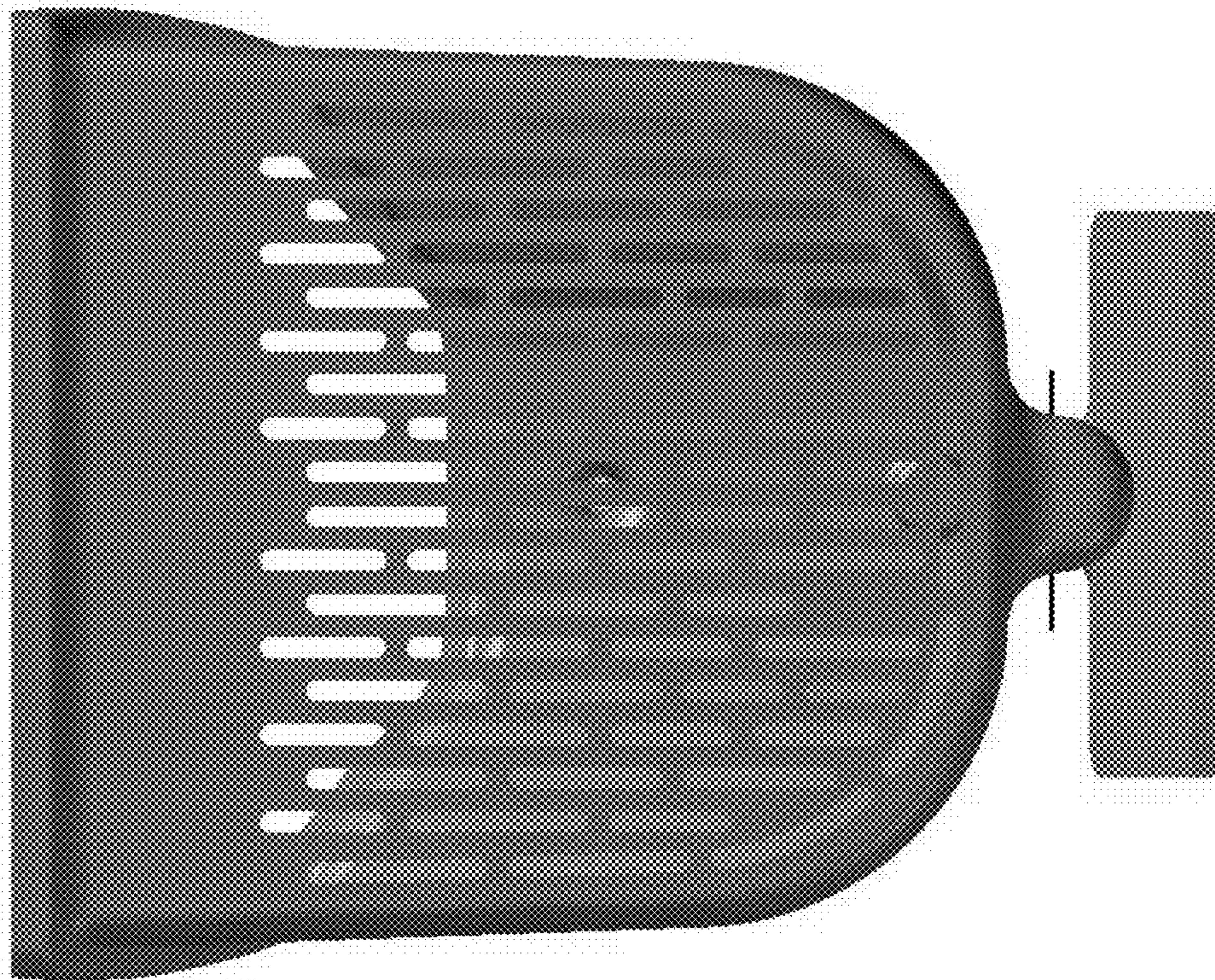


FIGURE 13

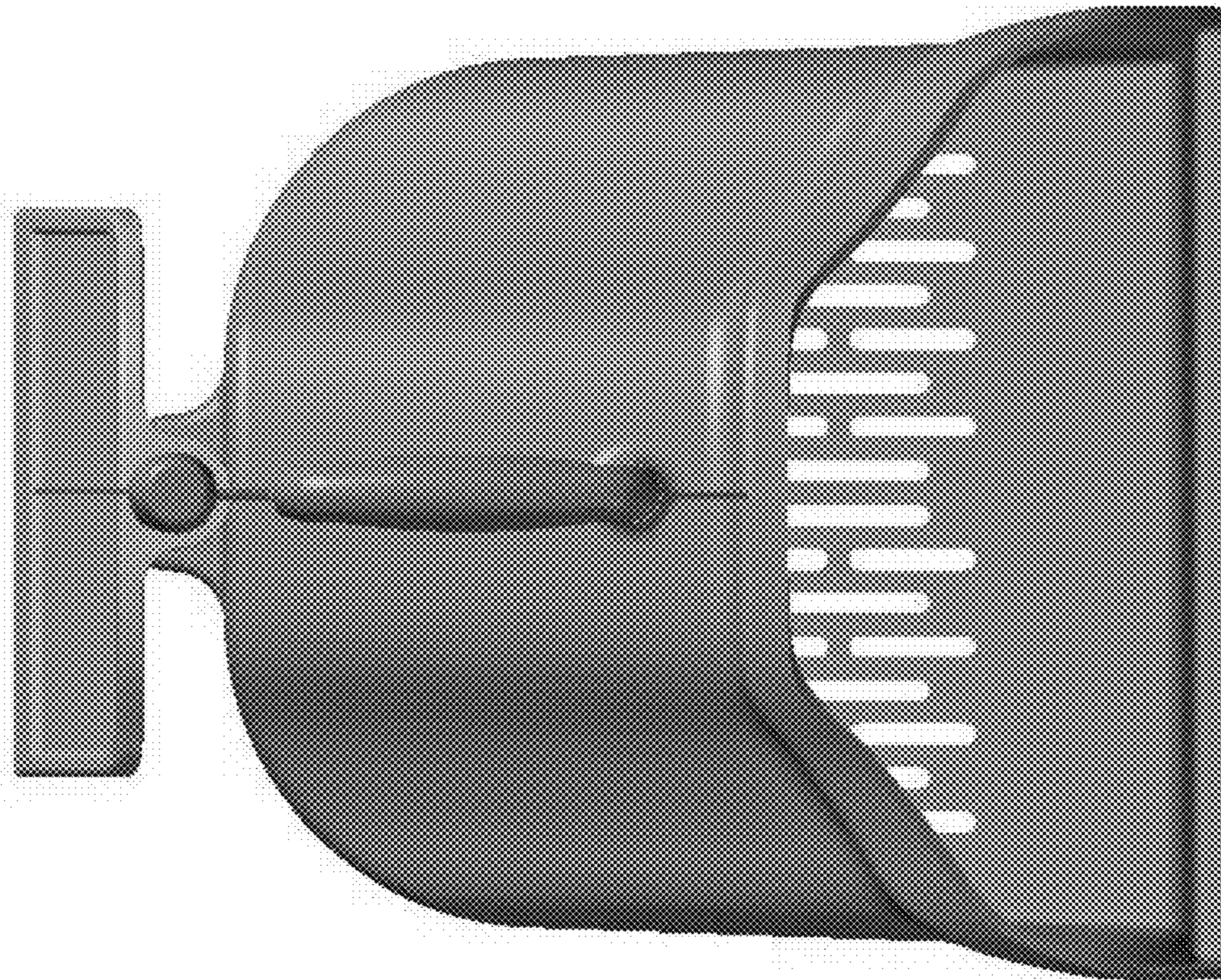


FIGURE 14

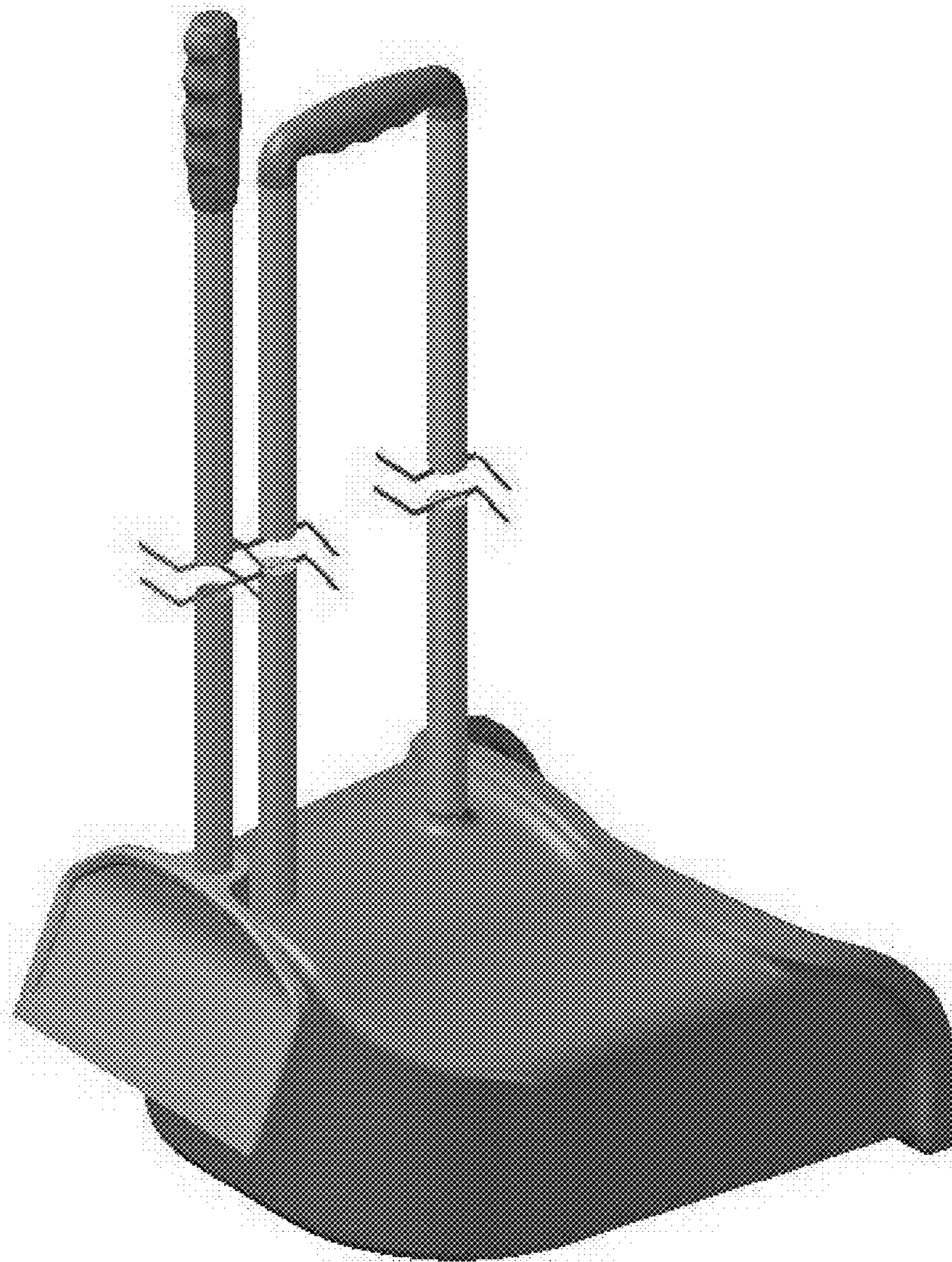


FIGURE 15

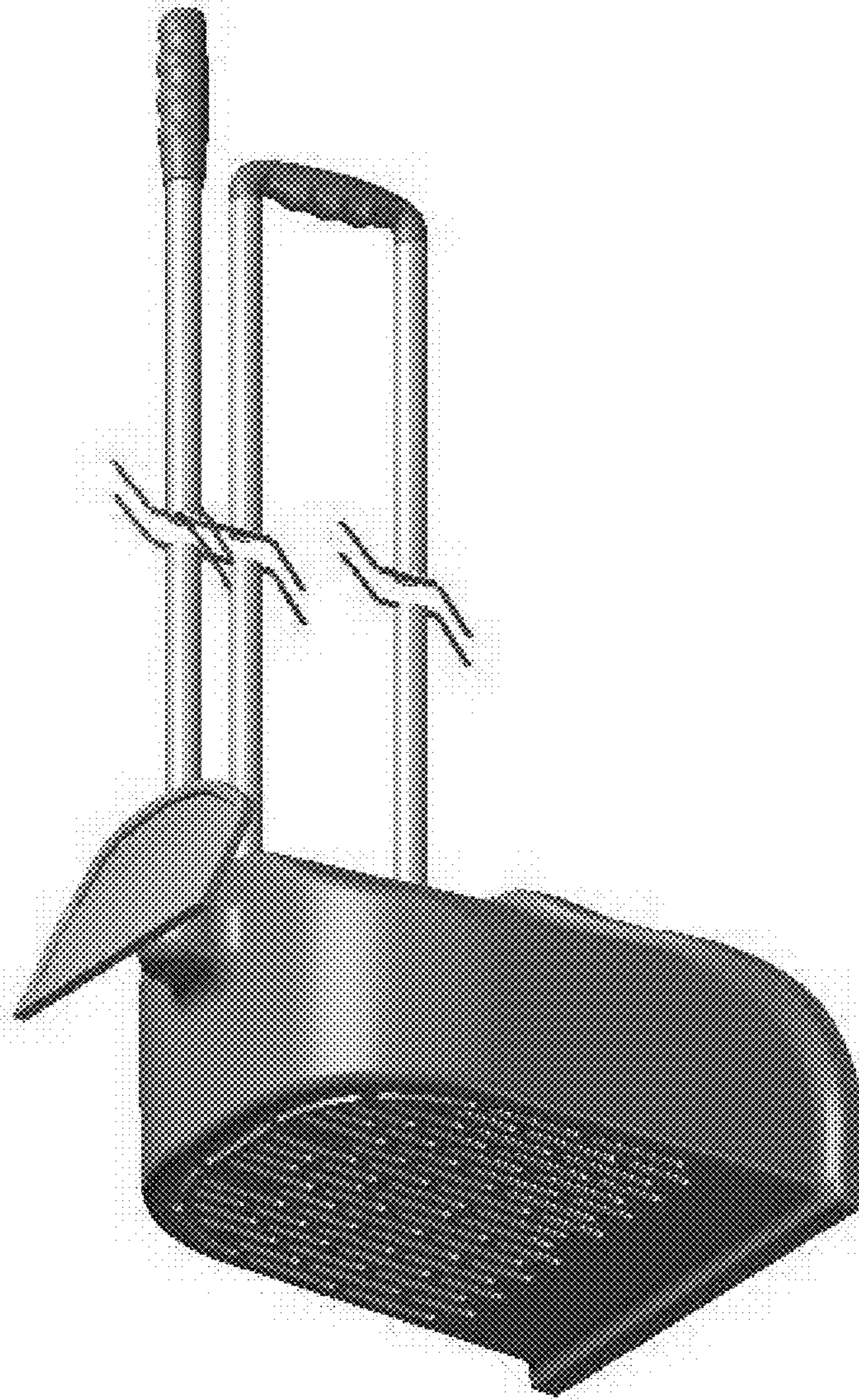


FIGURE 16

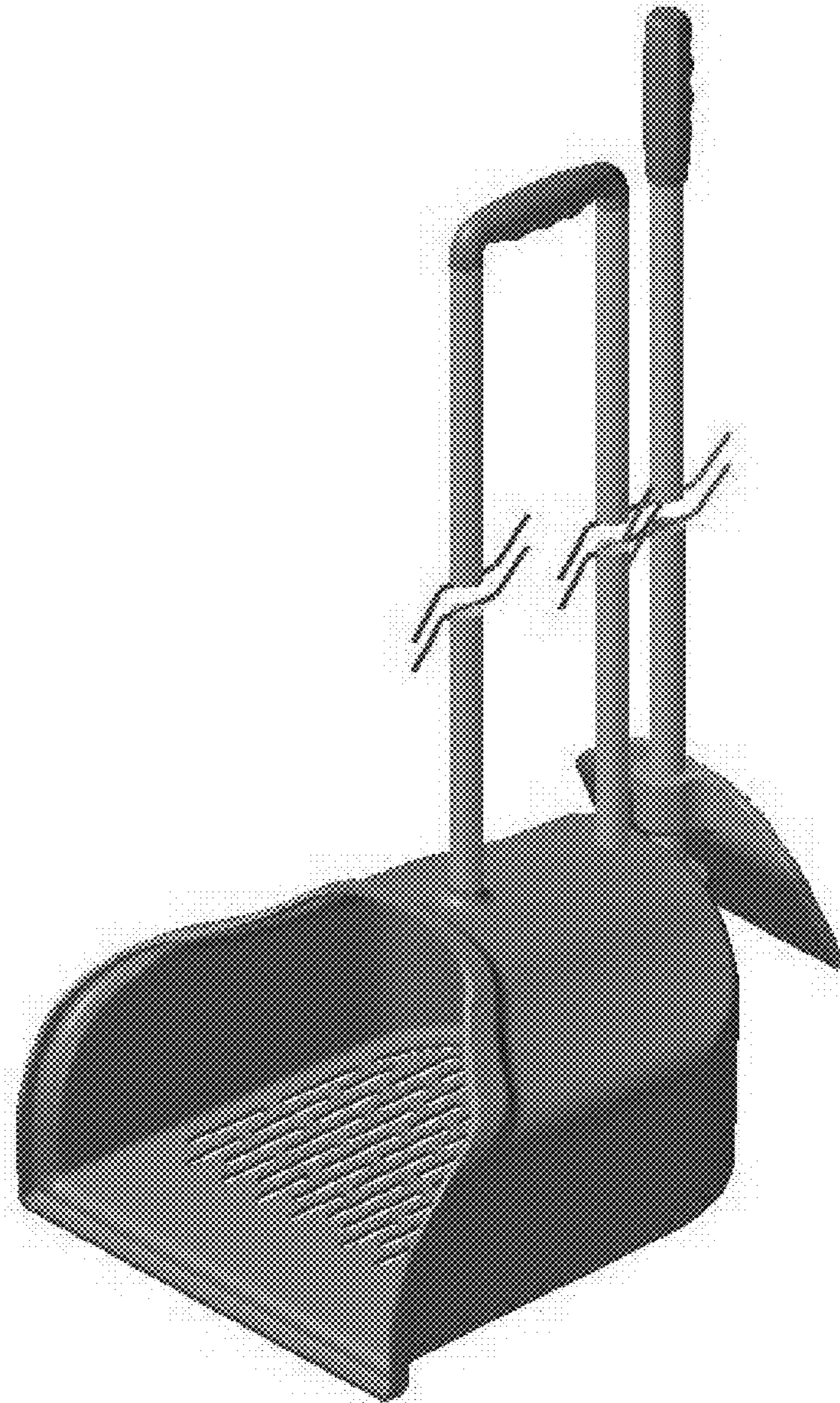


FIGURE 17

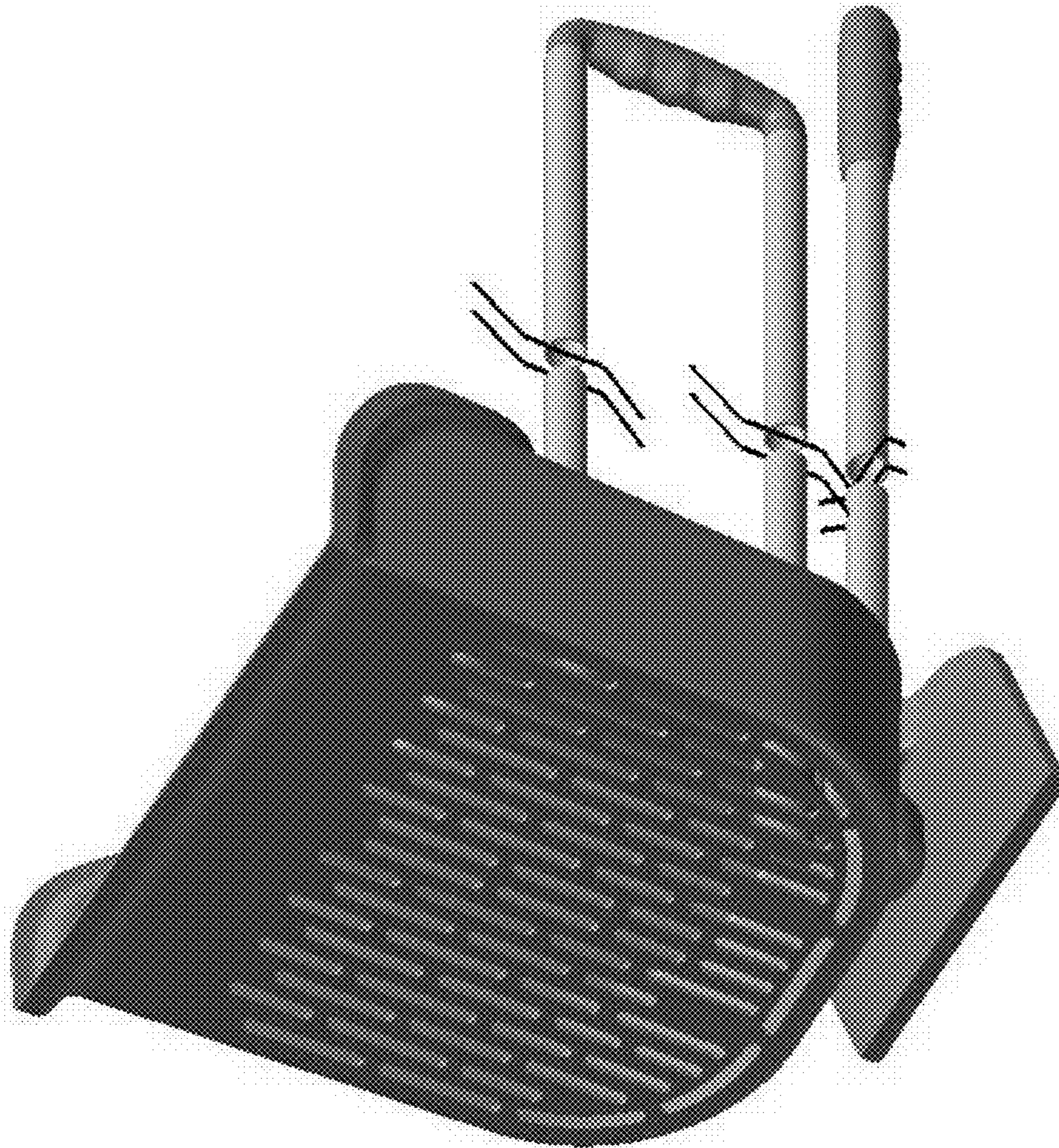


FIGURE 18

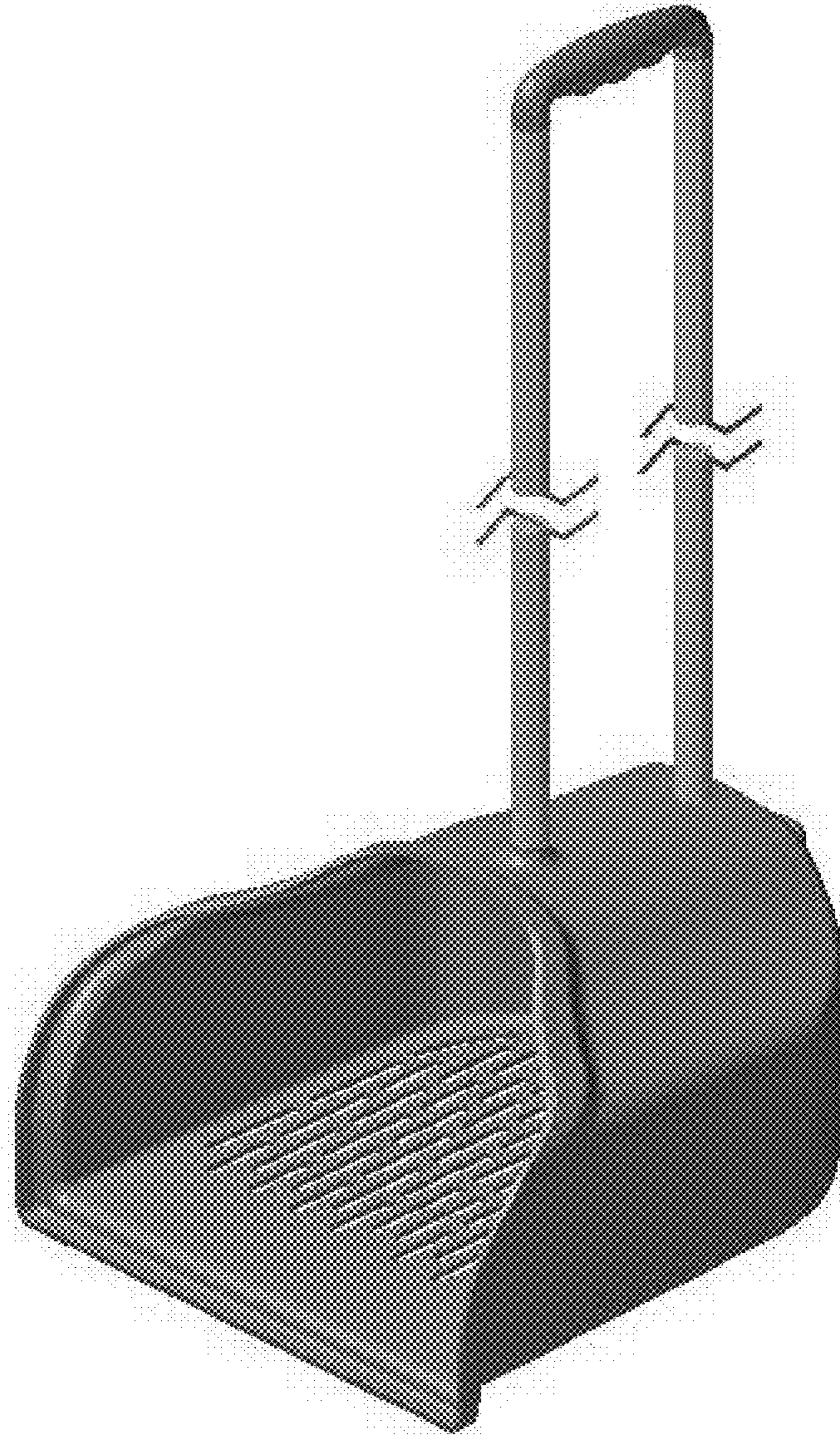


FIGURE 19

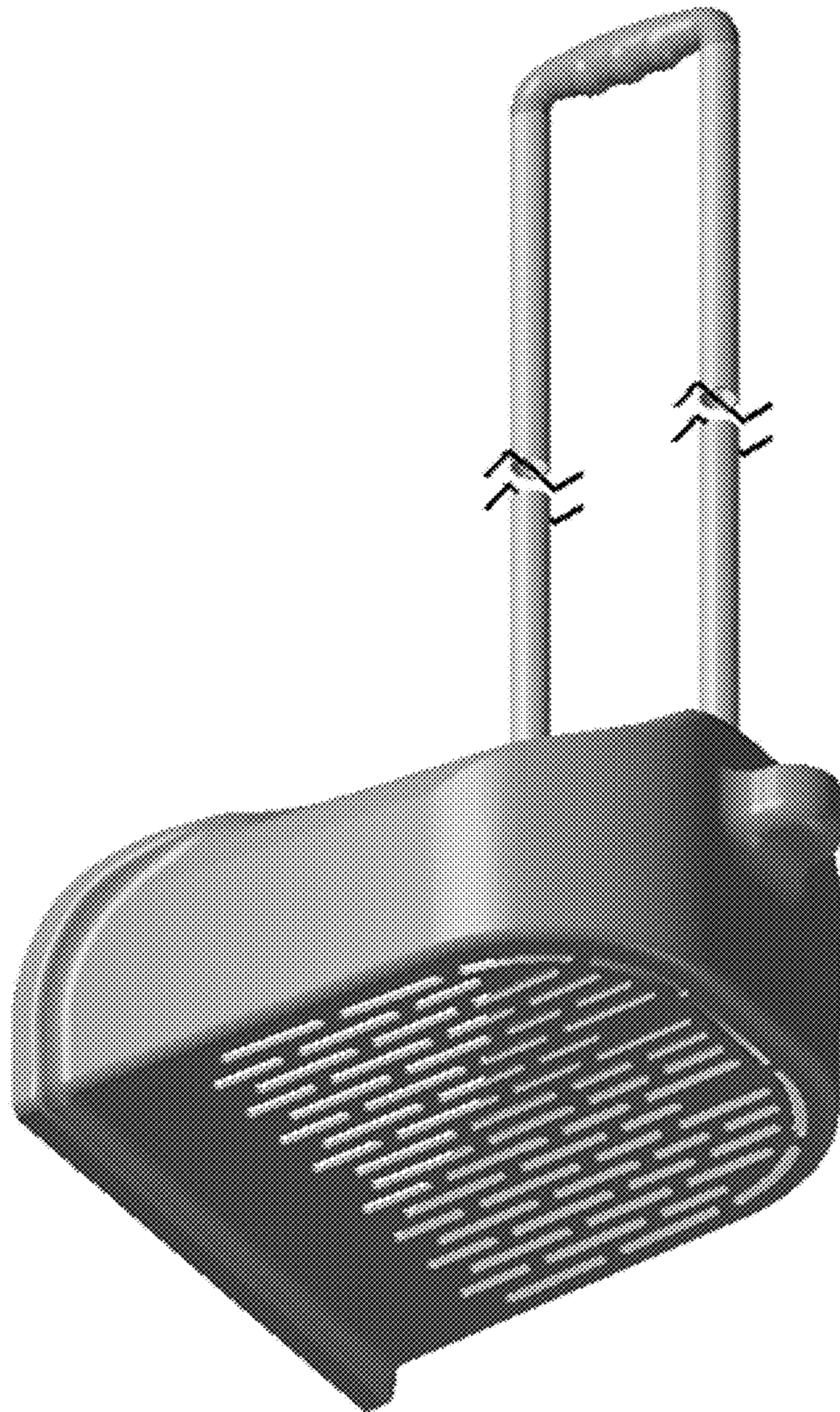


FIGURE 20

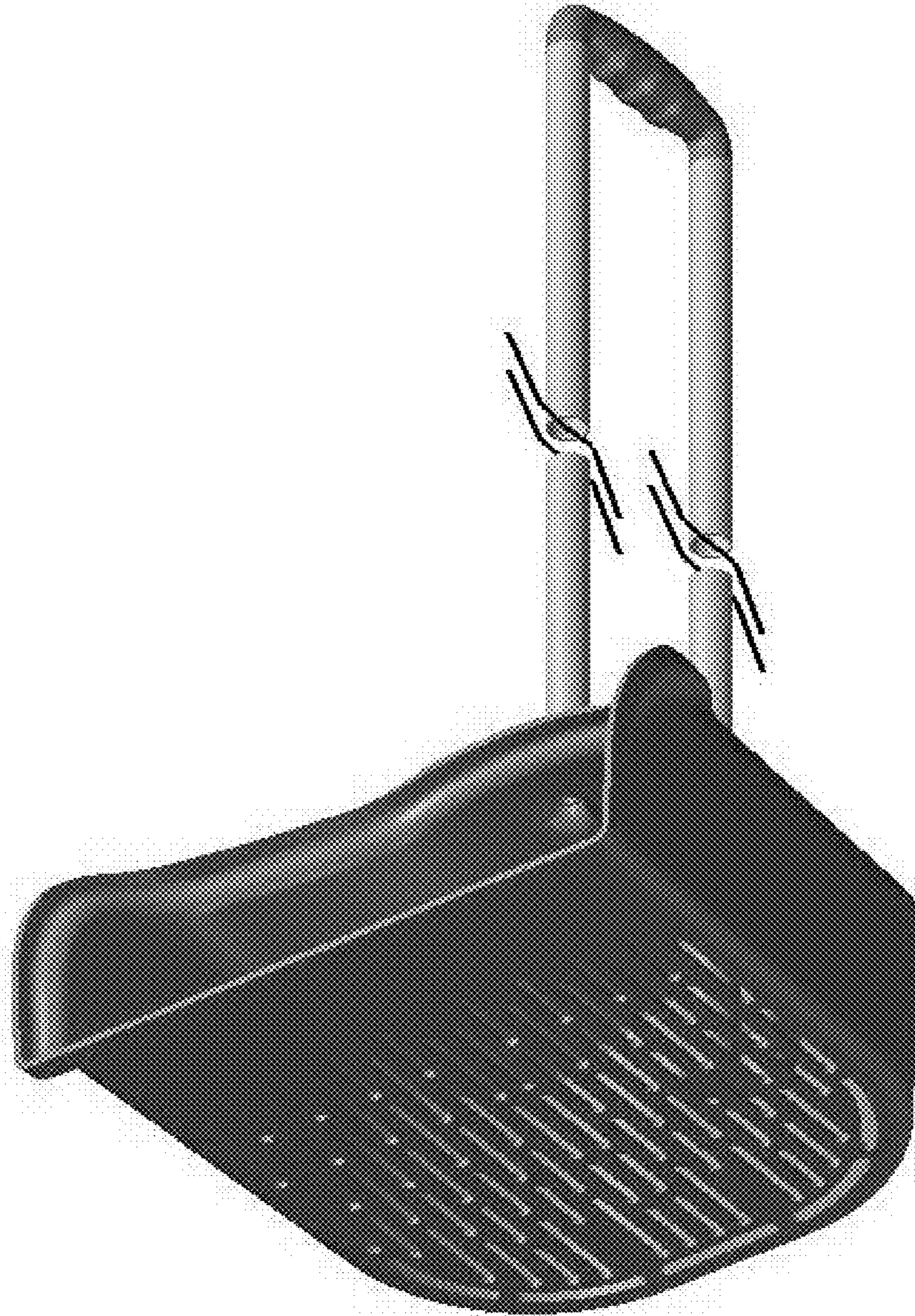


FIGURE 21

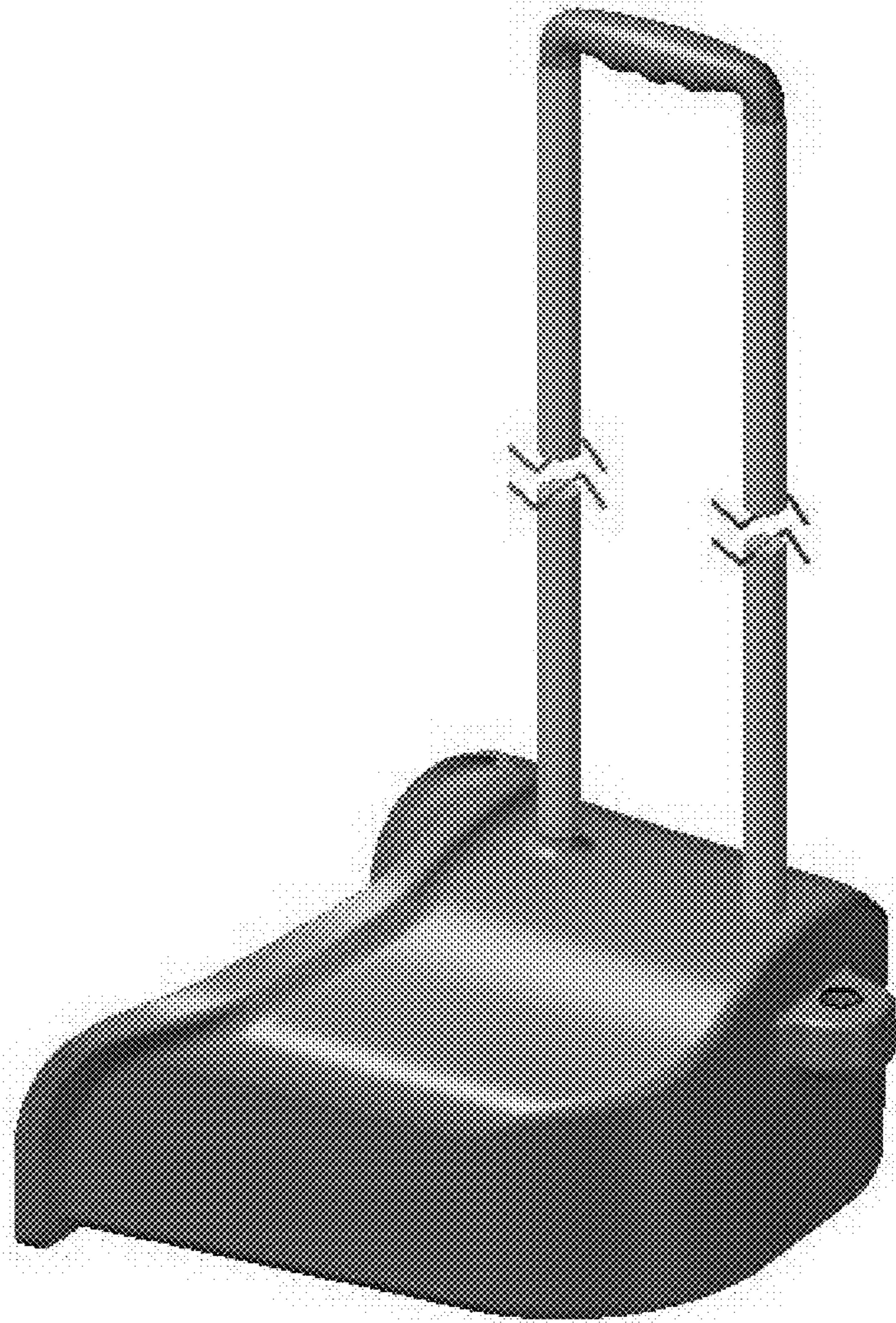


FIGURE 22

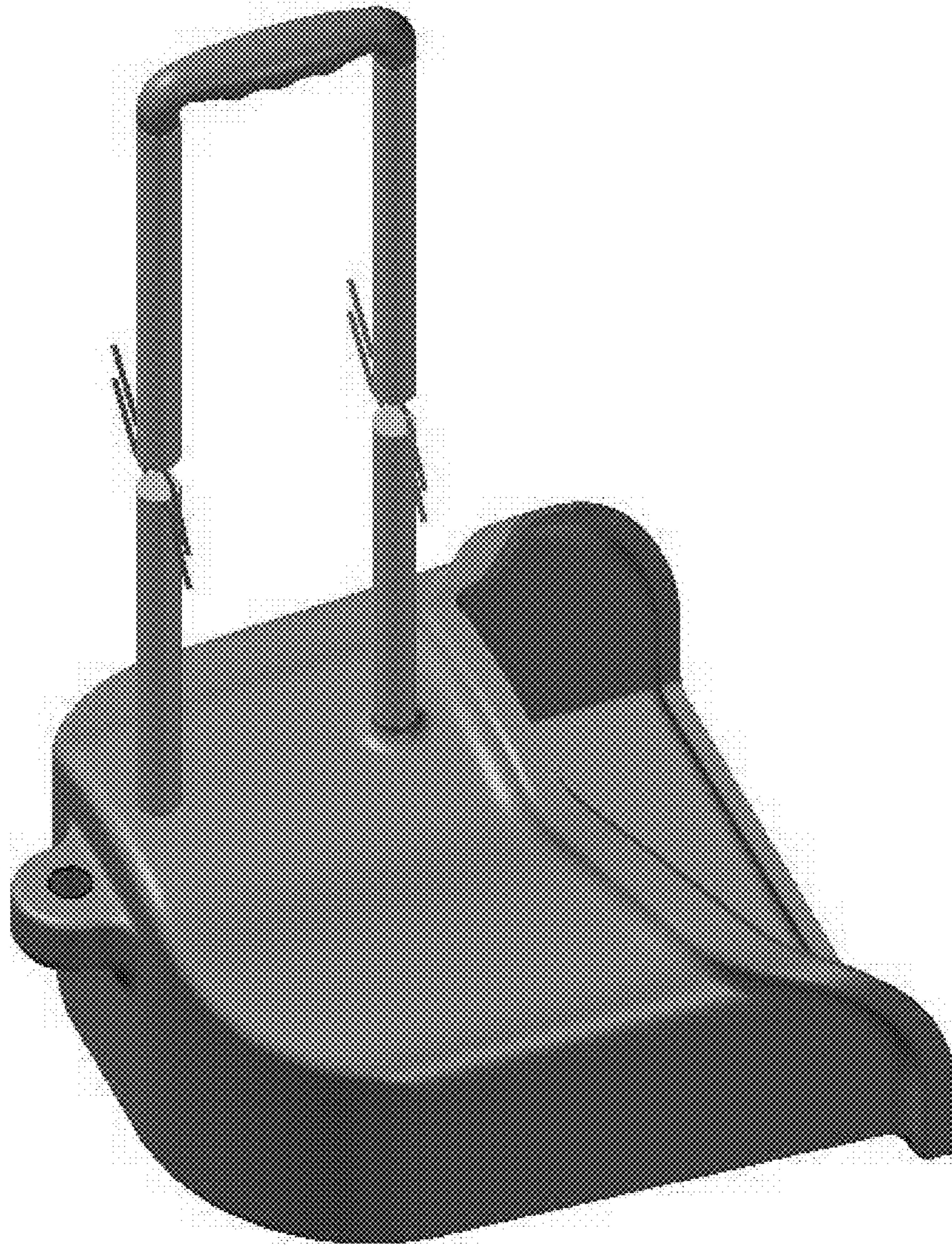


FIGURE 23



FIGURE 24

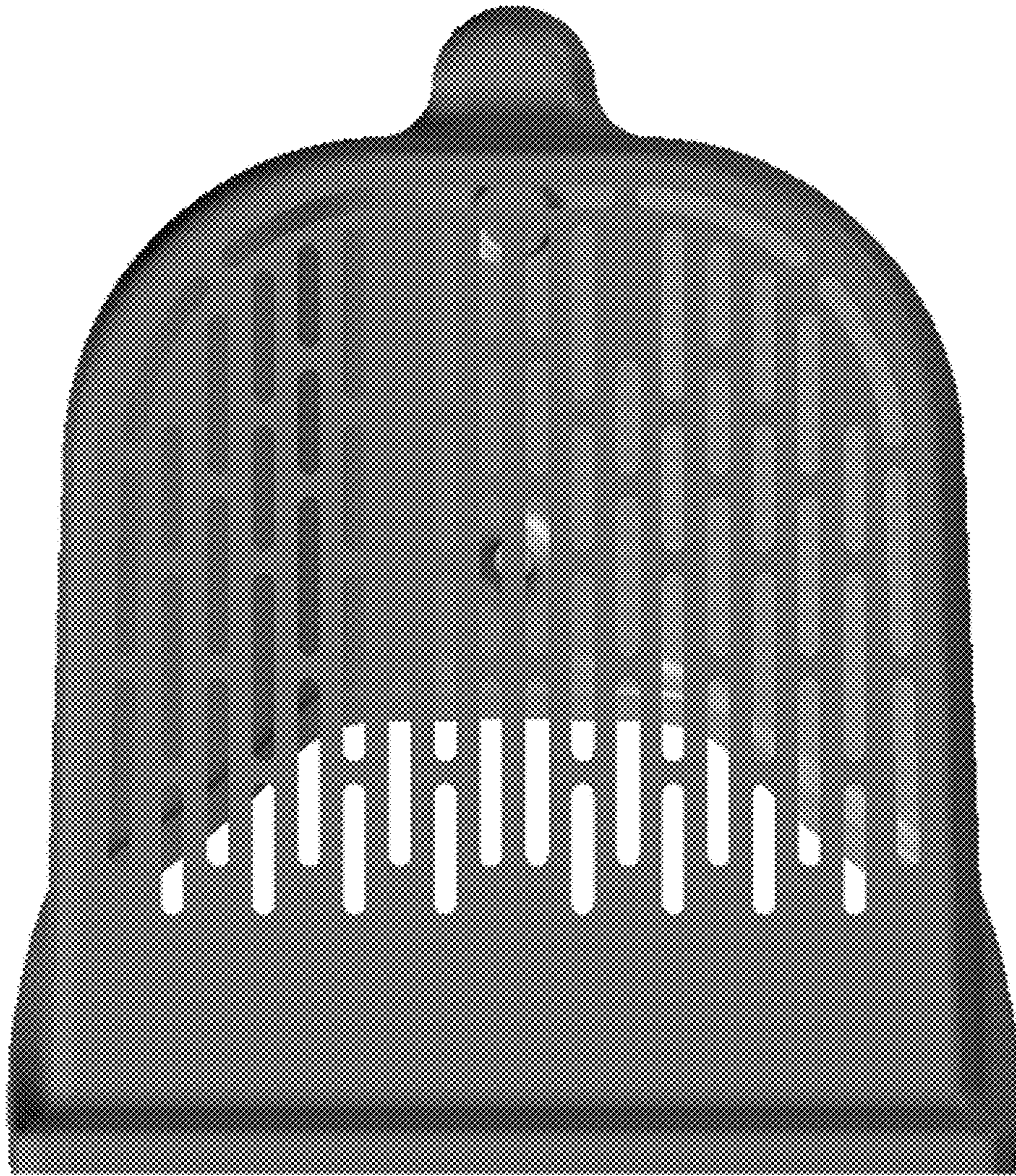


FIGURE 25

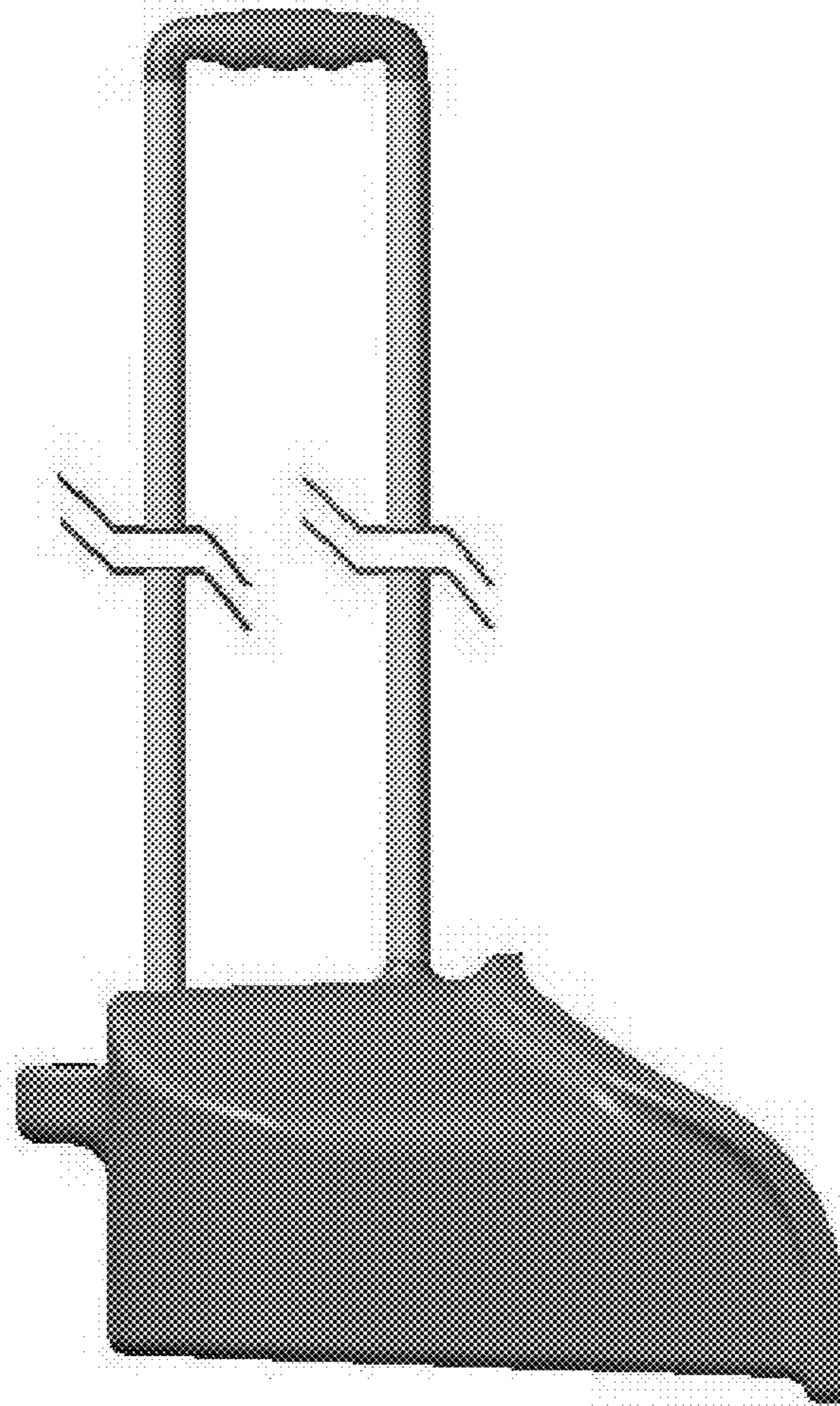


FIGURE 26

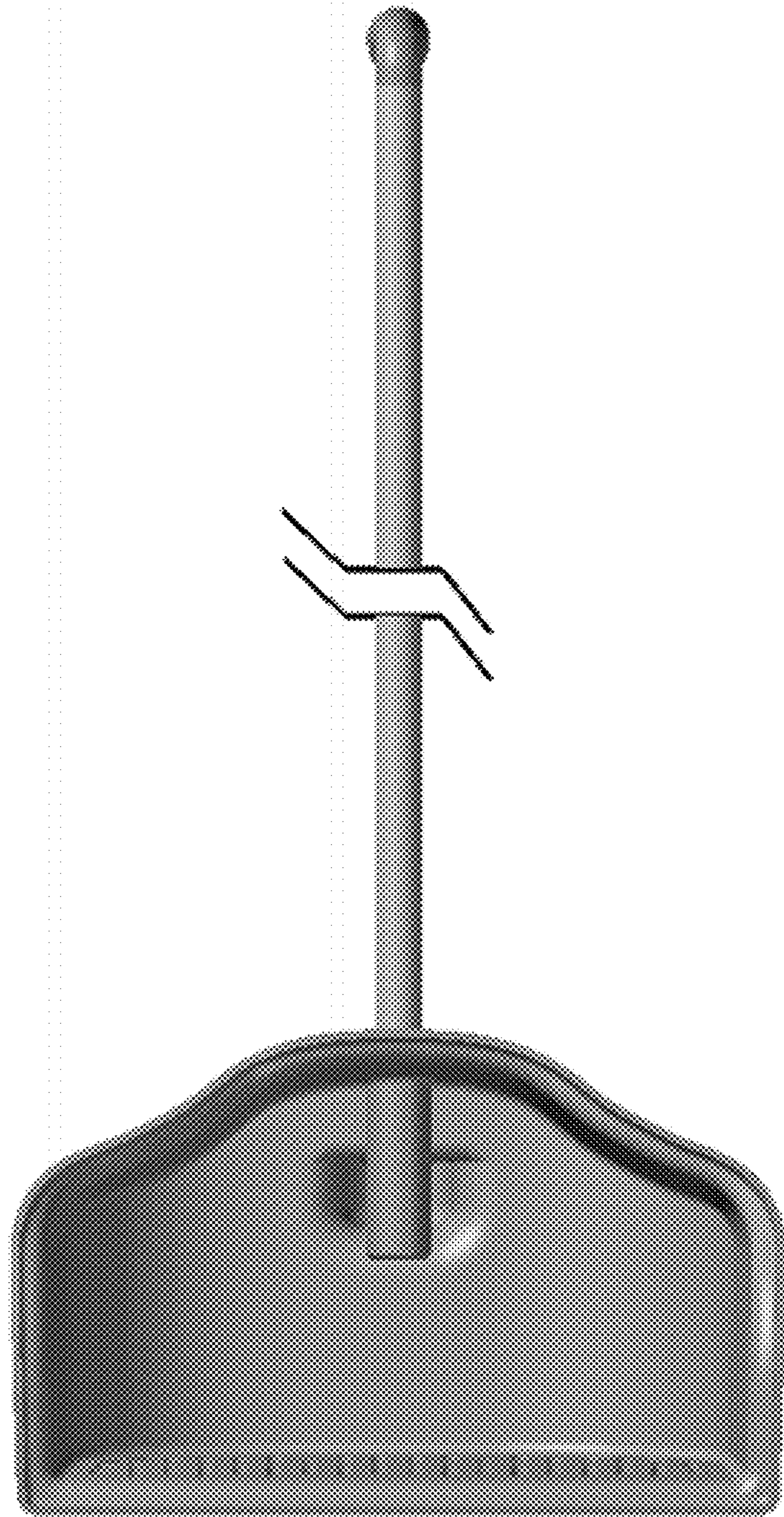


FIGURE 27

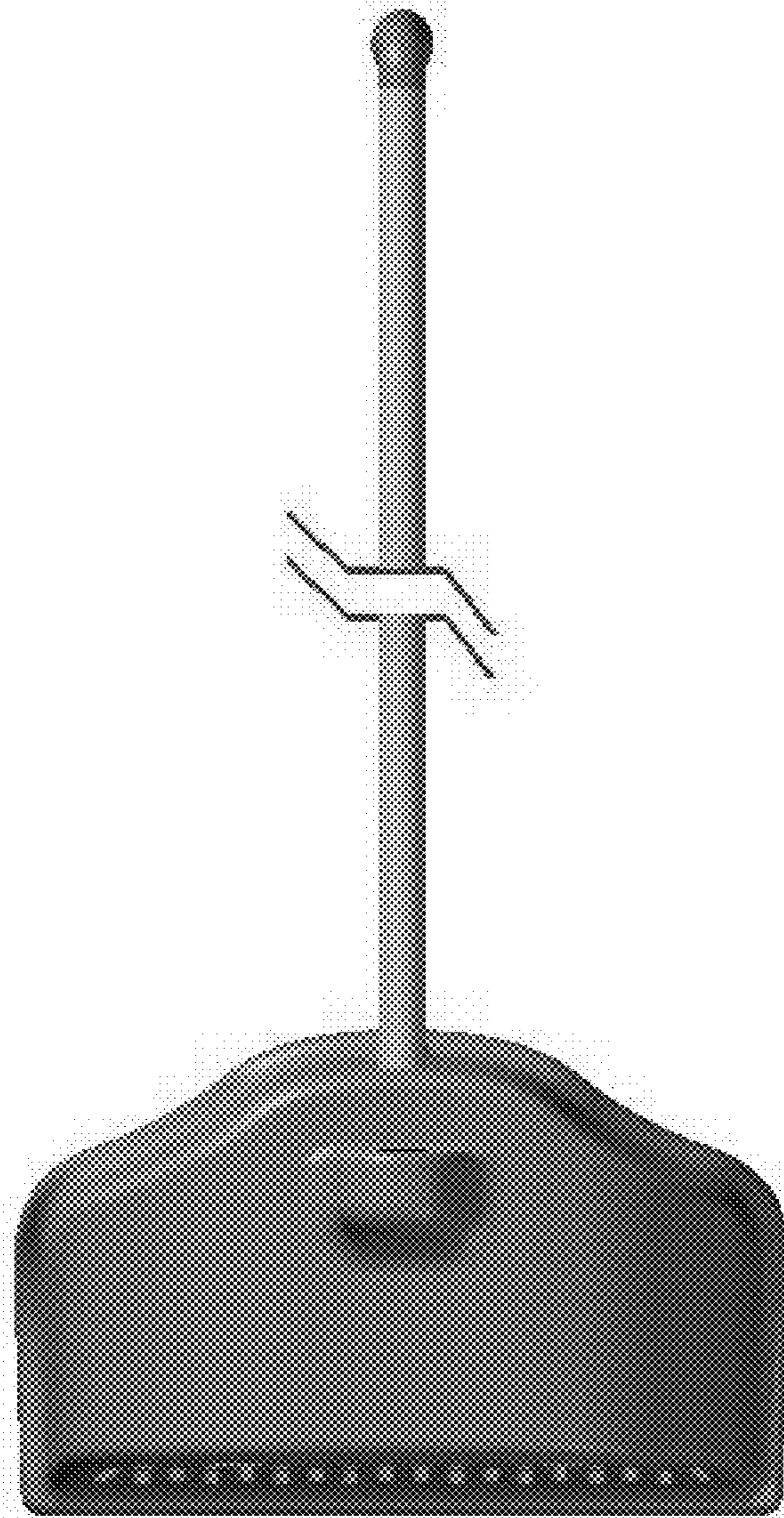


FIGURE 28

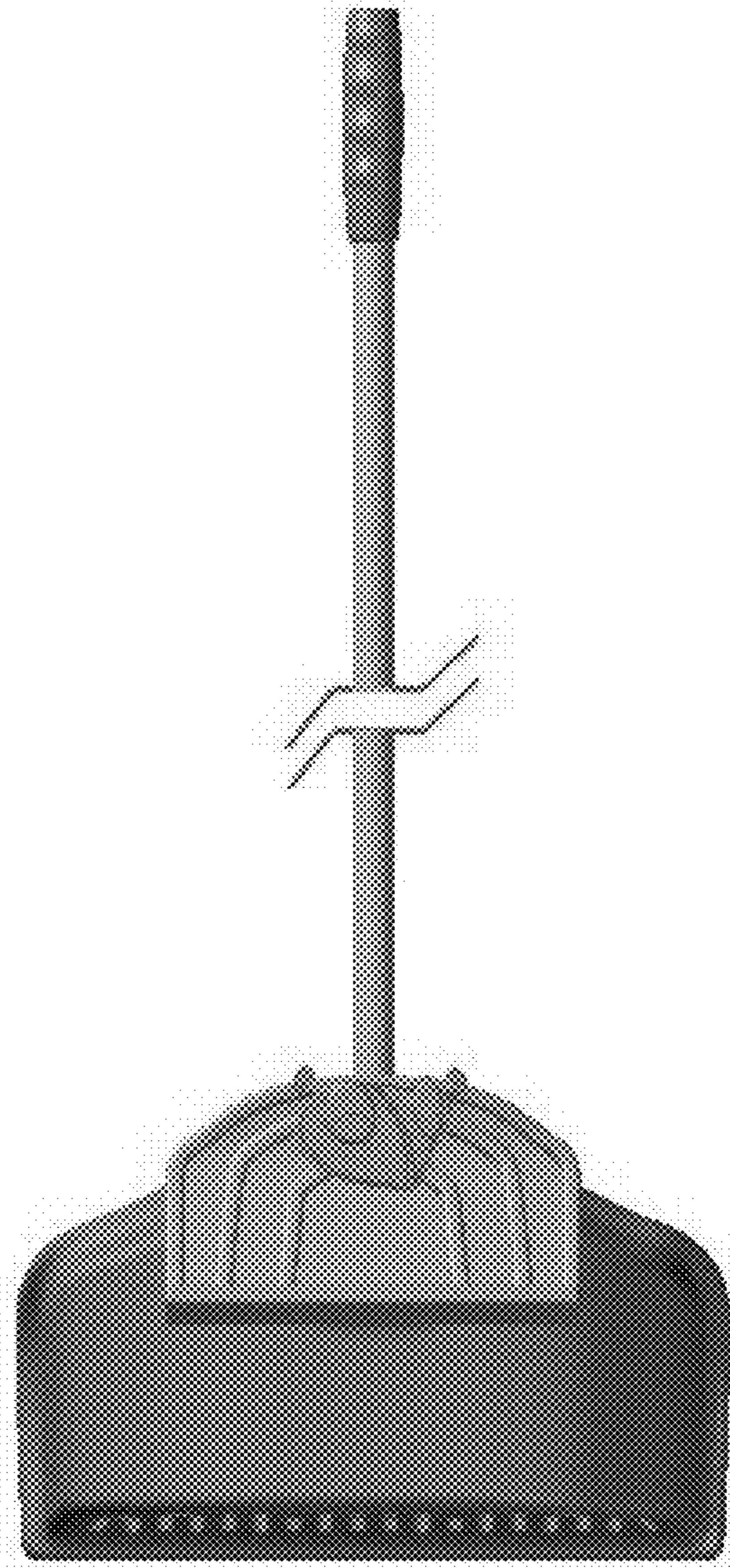


FIGURE 29

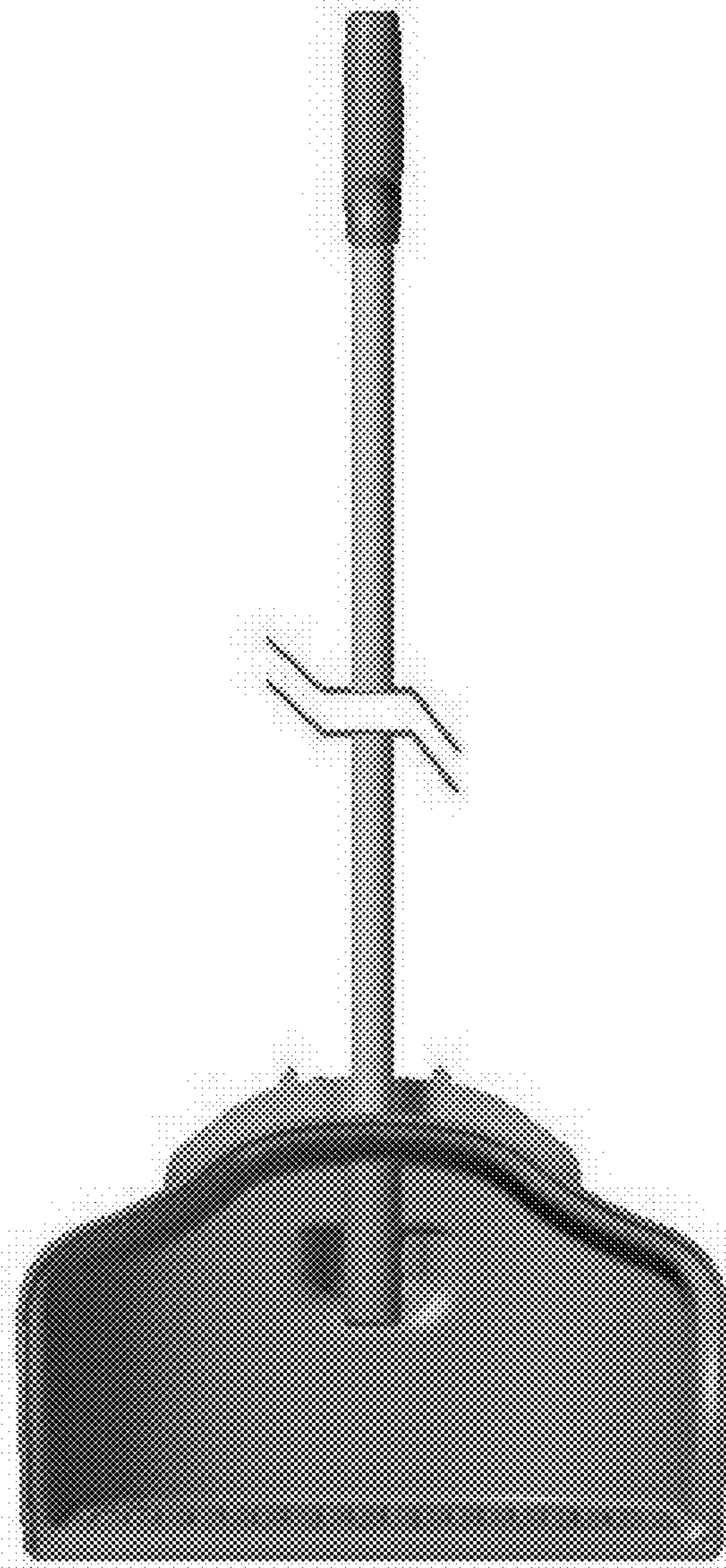


FIGURE 30

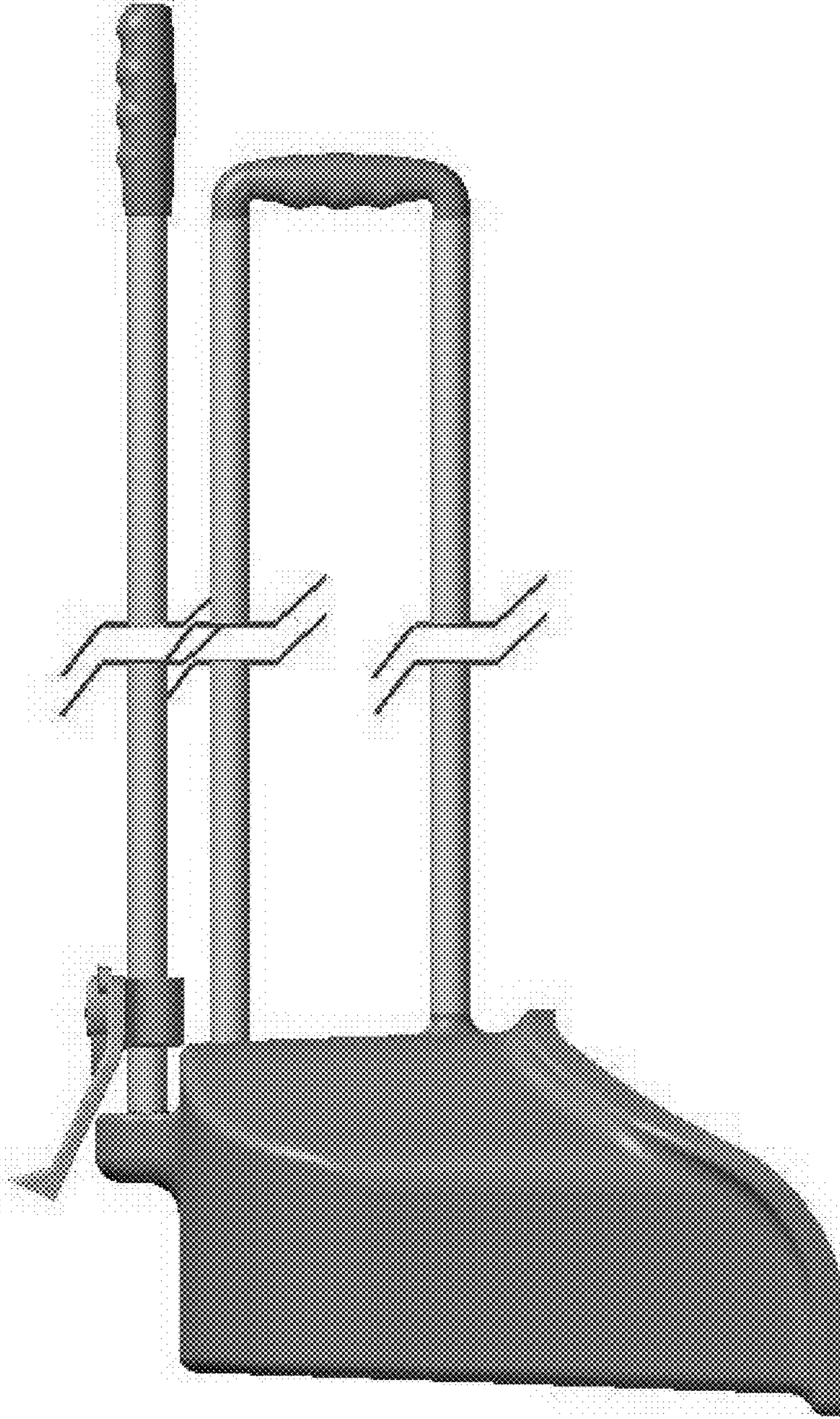


FIGURE 31

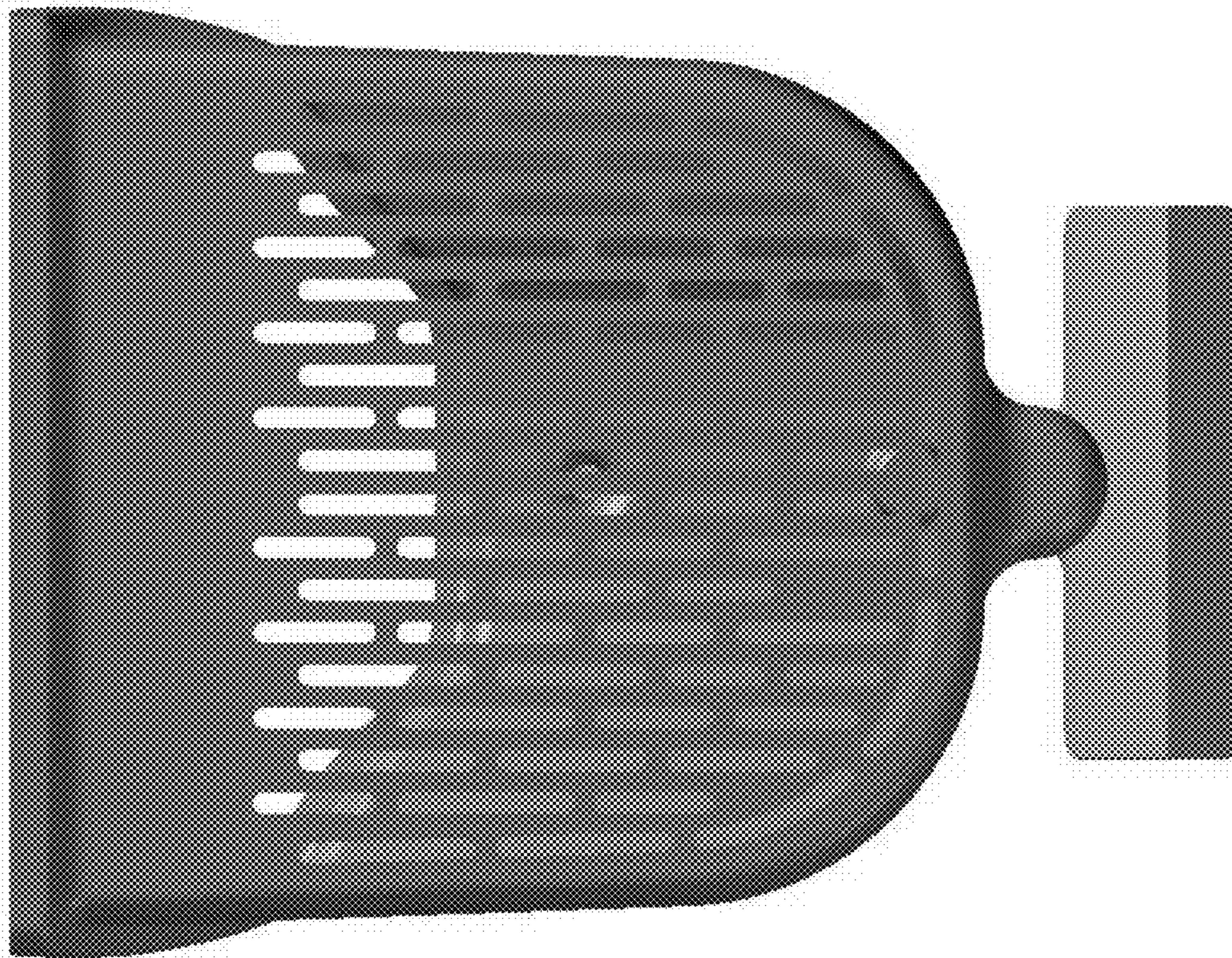


FIGURE 32

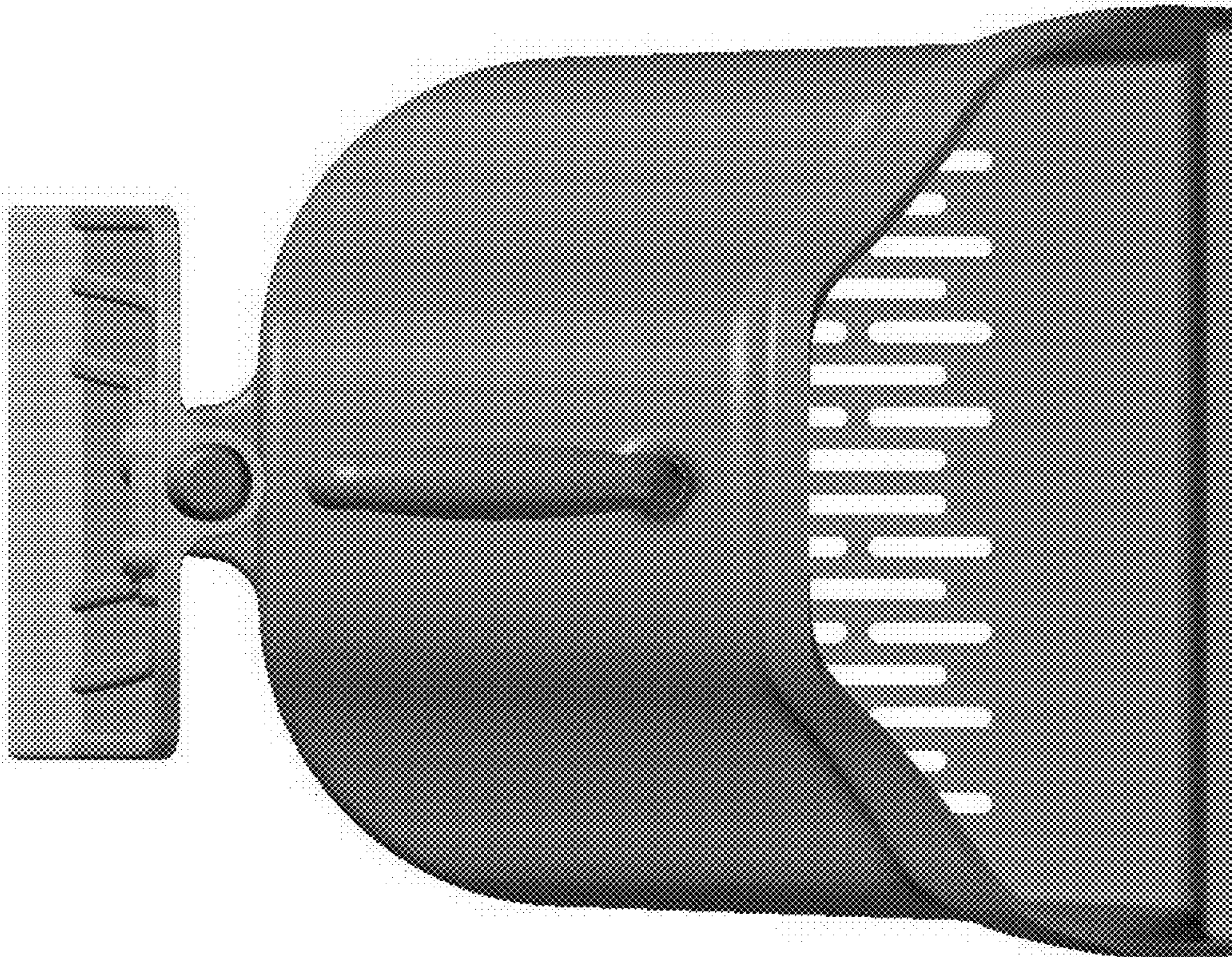


FIGURE 33

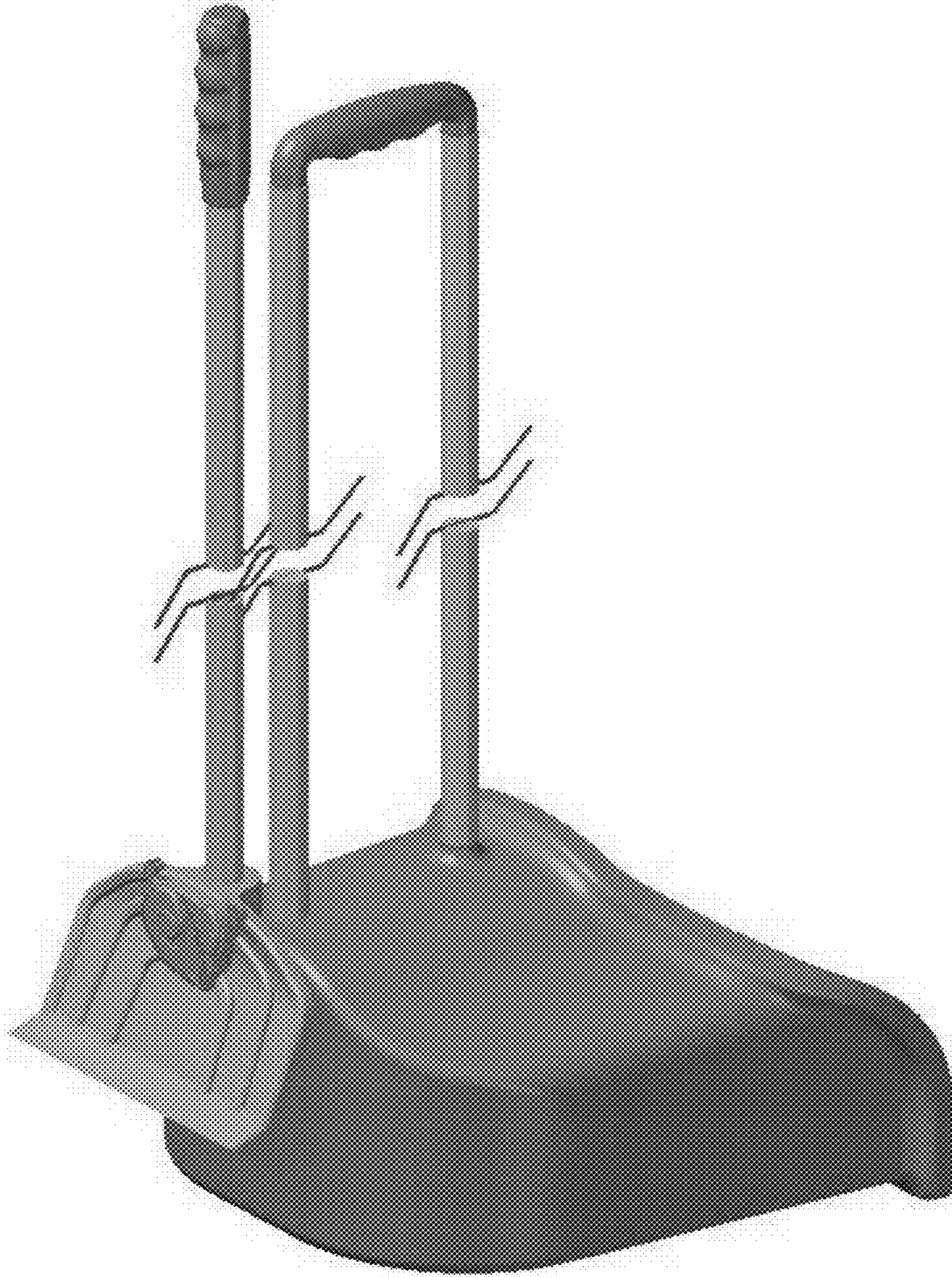


FIGURE 34

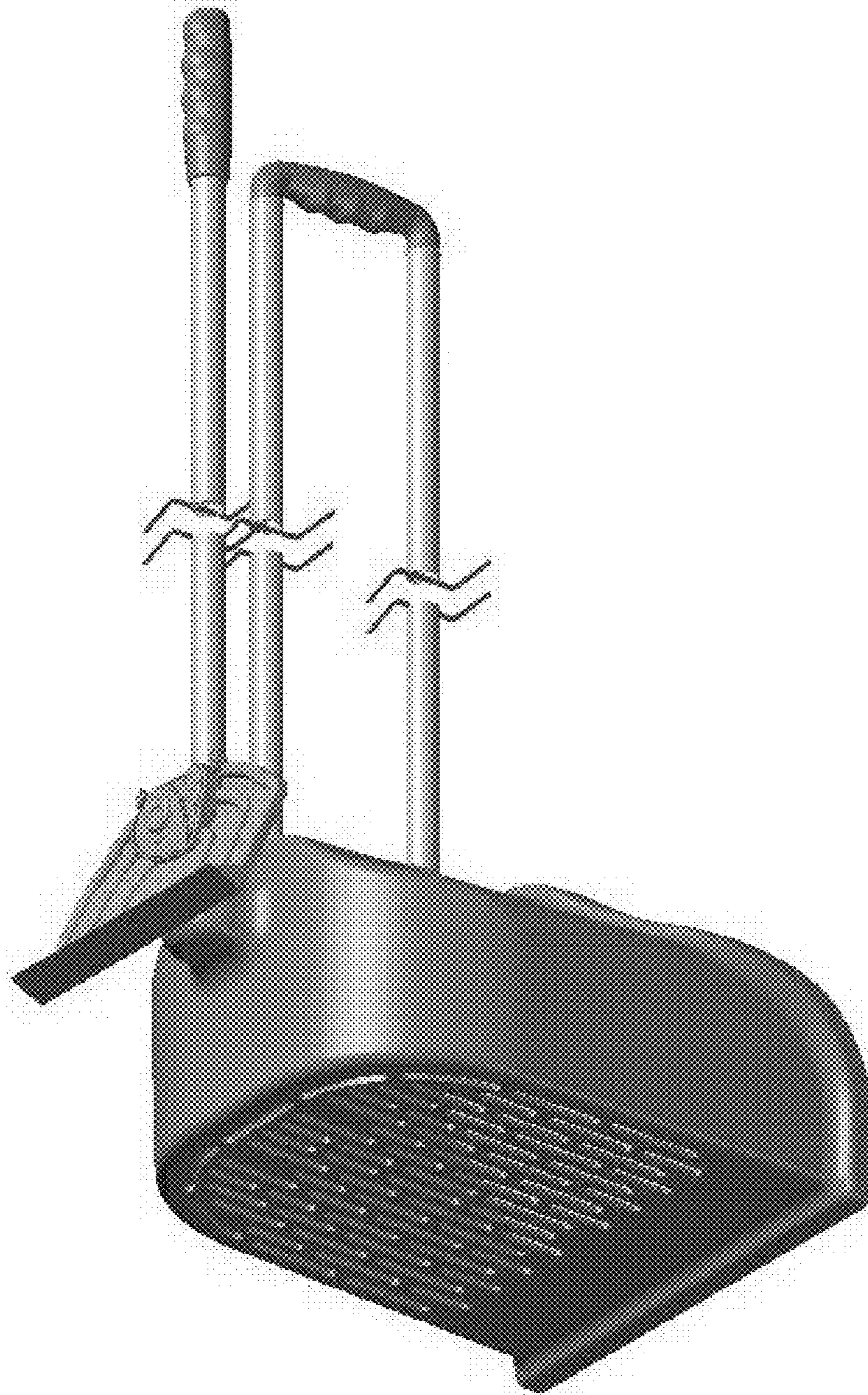


FIGURE 35

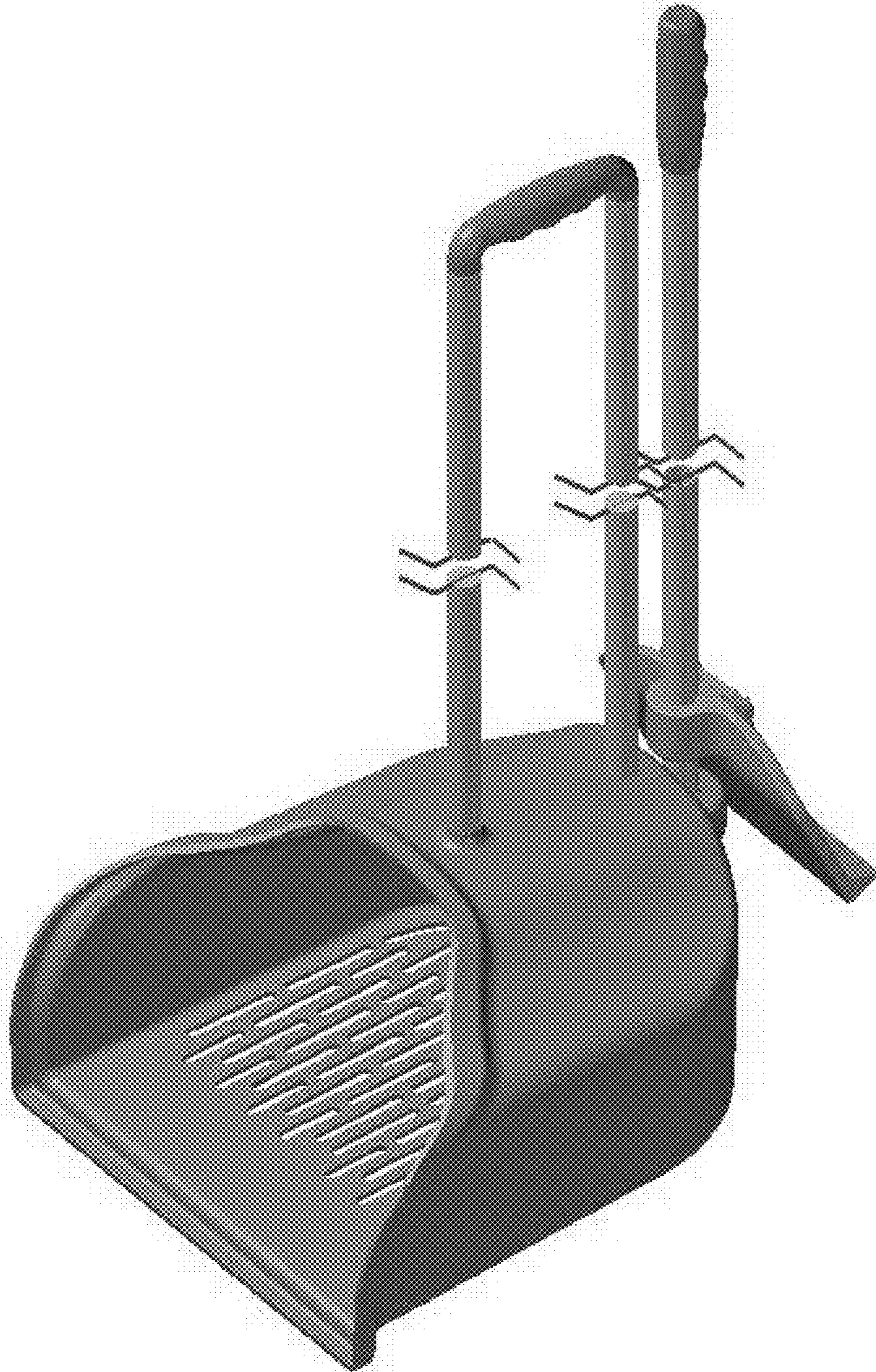


FIGURE 36