



US00D874744S

(12) **United States Design Patent**
Stevenson et al.

(10) **Patent No.:** **US D874,744 S**

(45) **Date of Patent:** **** Feb. 4, 2020**

(54) **UNGULATE SHOE**

(71) Applicant: **D2M Solutions FZE**, Dubai (AE)

(72) Inventors: **Robert James Stevenson**, Dubai (AE);
Dimitrios Halabi Nicolaides, Dubai (AE)

(73) Assignee: **D2M SOLUTIONS FZE**, Dubai (AE)

(**) Term: **15 Years**

(21) Appl. No.: **29/658,277**

(22) Filed: **Jul. 30, 2018**

(51) **LOC (12) Cl.** **30-01**

(52) **U.S. Cl.**

USPC **D30/147**

(58) **Field of Classification Search**

USPC D30/146, 147, 148, 149, 150; D9/650;
D21/387; D24/192; D2/897, 906, 919,
D2/943, 980

CPC A01L 1/02; A01L 5/00
See application file for complete search history.

(56) **References Cited**

U.S. PATENT DOCUMENTS

2,041,538	A *	5/1936	Gash	A01L 5/00
					168/1
3,236,310	A *	2/1966	Quick	A01L 3/02
					168/18
D509,328	S *	9/2005	Kinney	168/4
D580,111	S *	11/2008	Lander	D30/147
D671,694	S *	11/2012	Ford	D30/146
D683,084	S *	5/2013	Lander	D30/148
D726,973	S *	4/2015	Ford	A01L 1/02
					D30/147
D767,830	S *	9/2016	Blair	D30/147
D838,059	S *	1/2019	Ruetenik	D30/147

2011/0139467	A1 *	6/2011	Moller	A01L 1/04
					168/12
2012/0118587	A1 *	5/2012	Patek	A01K 13/007
					168/4
2018/0020653	A1 *	1/2018	Charnley	A01L 1/00
					168/9

FOREIGN PATENT DOCUMENTS

WO WO-2004107857 A2 * 12/2004 A01L 5/00

OTHER PUBLICATIONS

“Formahoof: facebook”. Found online Jun. 24, 2019 at facebook.com. Page dated Nov. 12, 2018. Retrieved from <https://www.facebook.com/FormaHoof/photos/a.688022384691220/1065555200271268/?type=3>.*

“Formahoof: instagram”. Found online Jun. 24, 2019 at instagram.com. Page dated May 15, 2019. Retrieved from <https://www.instagram.com/p/BxfY5COIqaH/>.*

* cited by examiner

Primary Examiner — Kendra Leslie Hamilton

(74) *Attorney, Agent, or Firm* — King & Schickli, PLLC

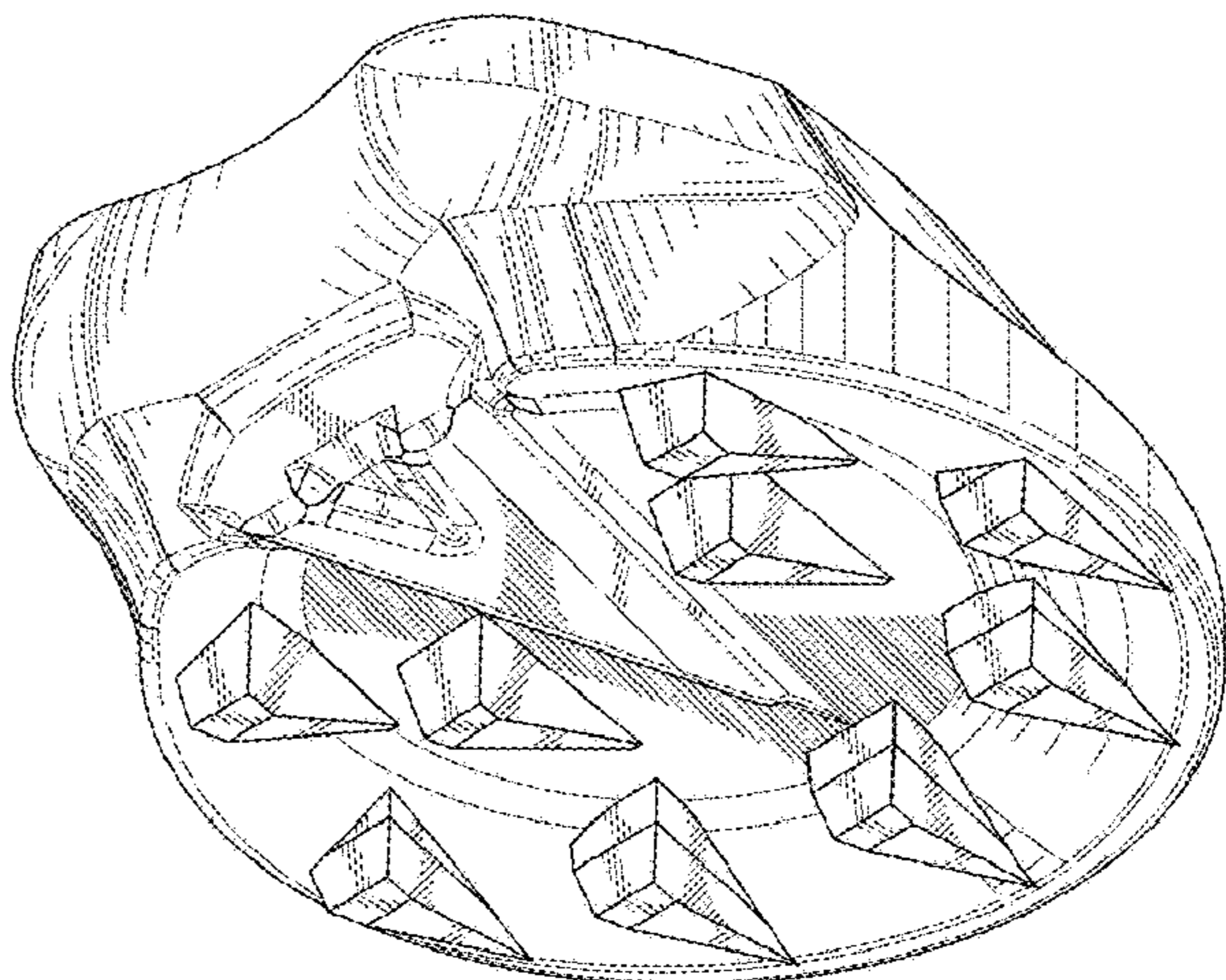
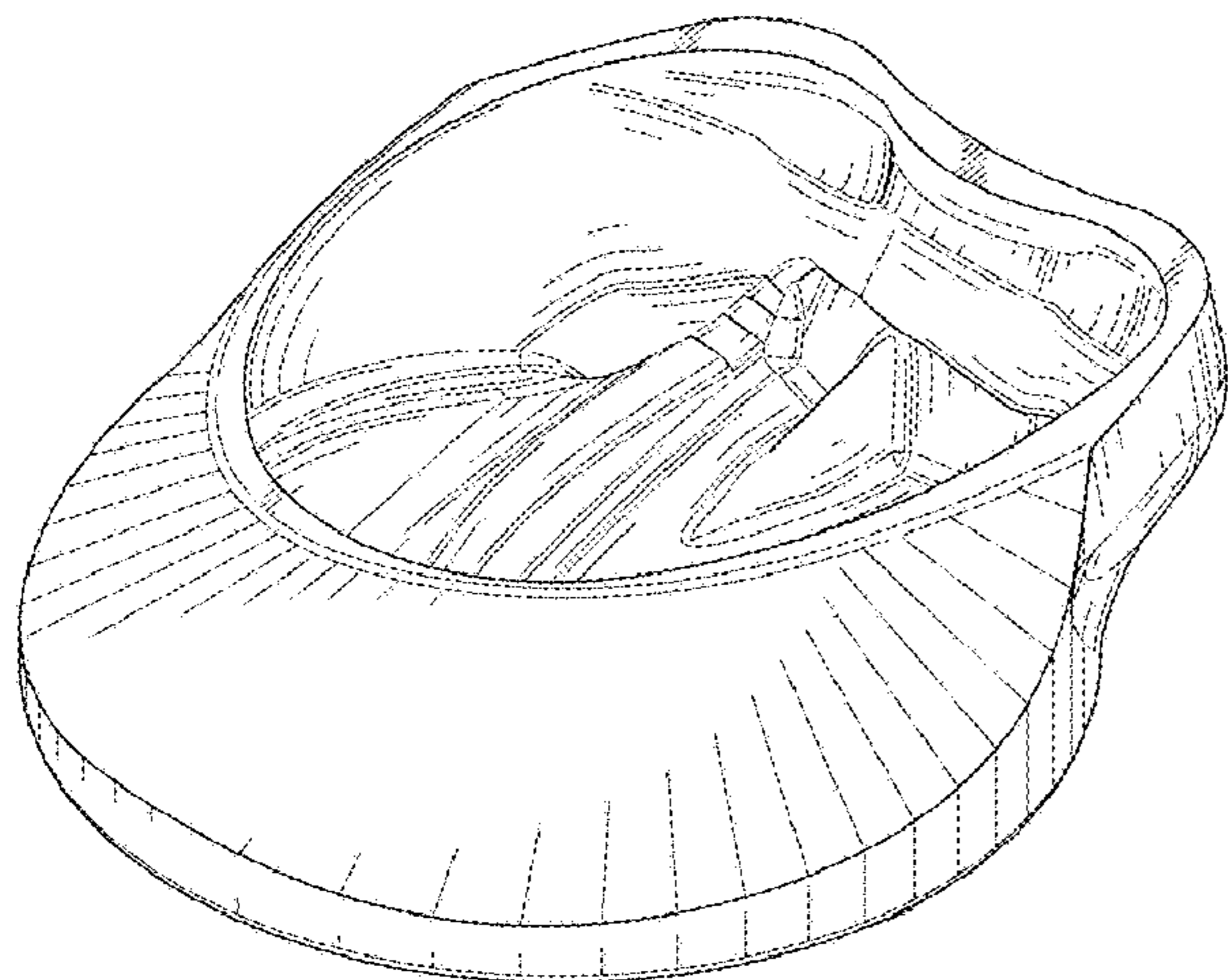
(57) **CLAIM**

The ornamental design for an ungulate shoe, as shown and described.

DESCRIPTION

FIG. 1 is a top, front, left perspective view of an ungulate shoe, showing our new design;
FIG. 2 is a bottom, rear, right perspective view thereof;
FIG. 3 is a top plan view thereof;
FIG. 4 is a front elevation view thereof;
FIG. 5 is a rear elevation view thereof;
FIG. 6 is a bottom plan view thereof;
FIG. 7 is a left elevation view thereof;
FIG. 8 is a right elevation view thereof; and,
FIG. 9 is a left cross-sectional view thereof, taken in the direction of line 9-9 of FIG. 4.

1 Claim, 5 Drawing Sheets



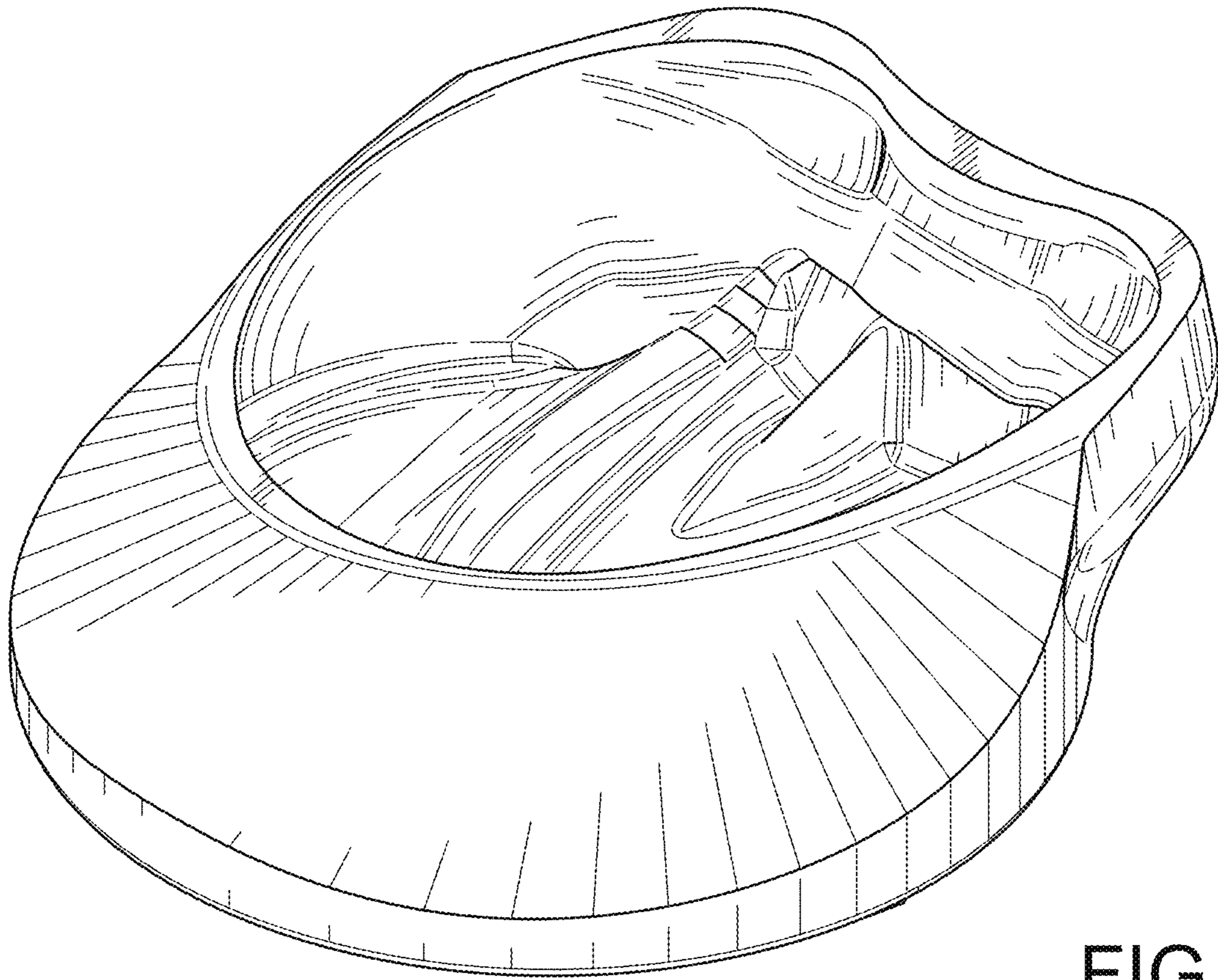


FIG. 1

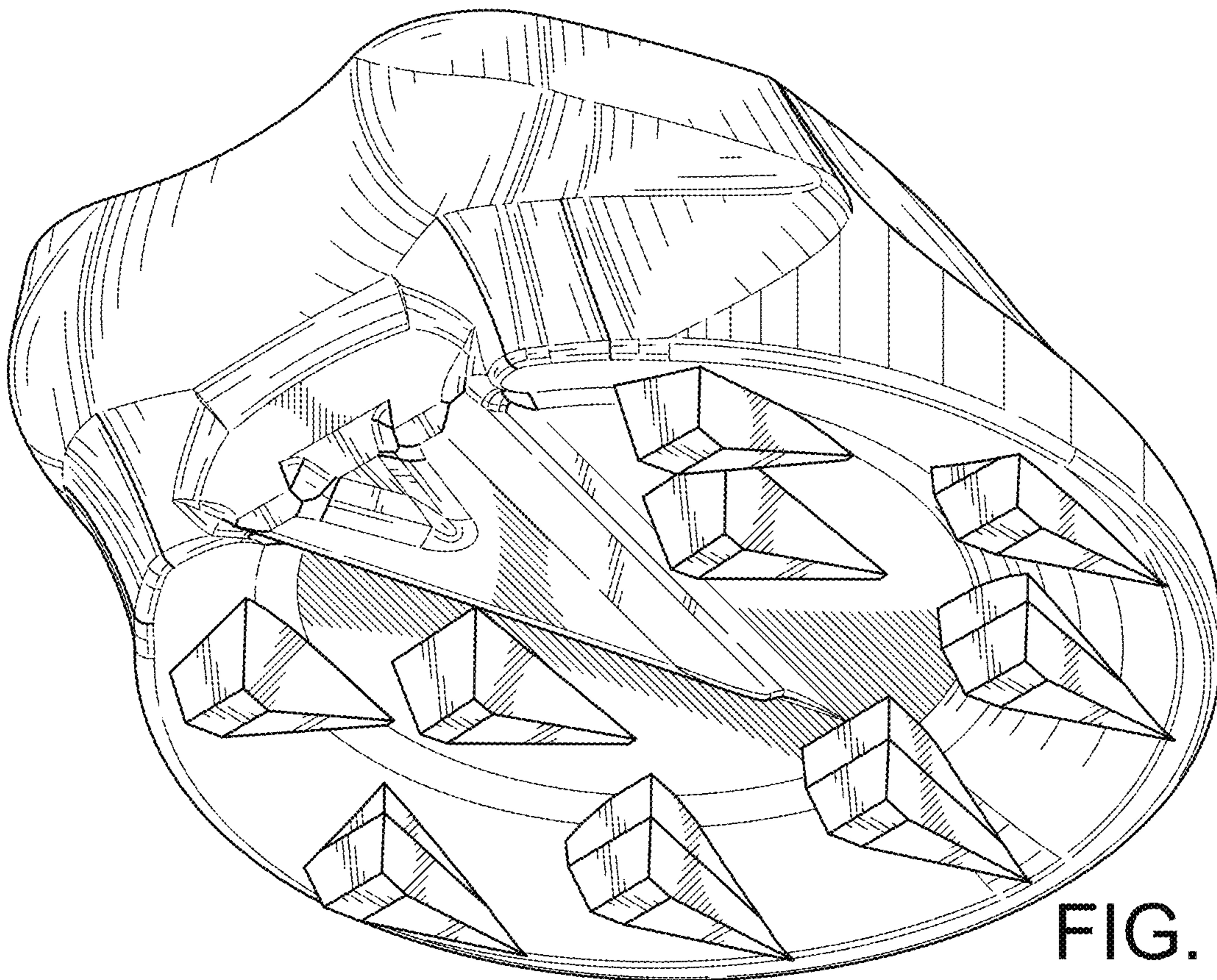


FIG. 2

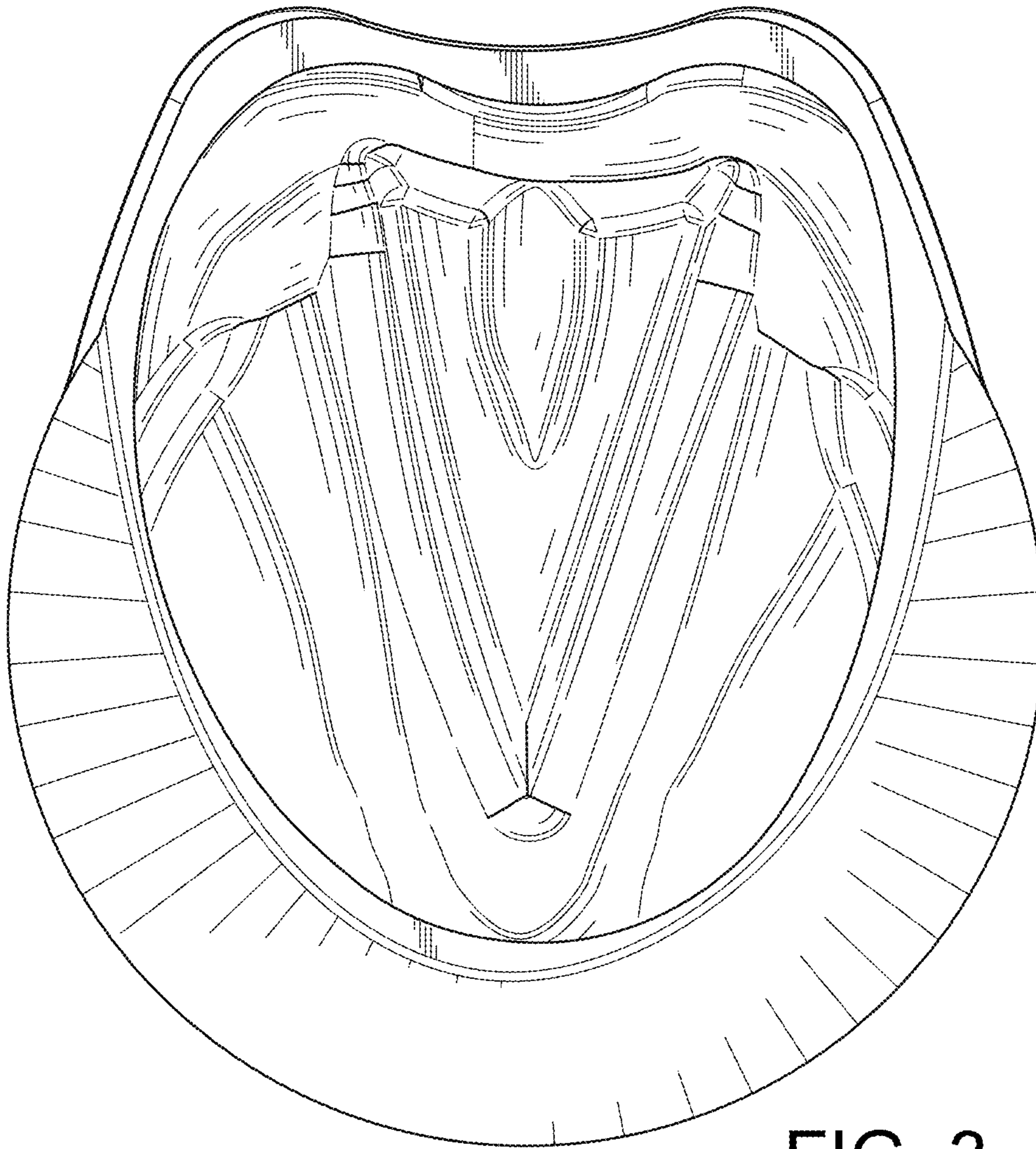
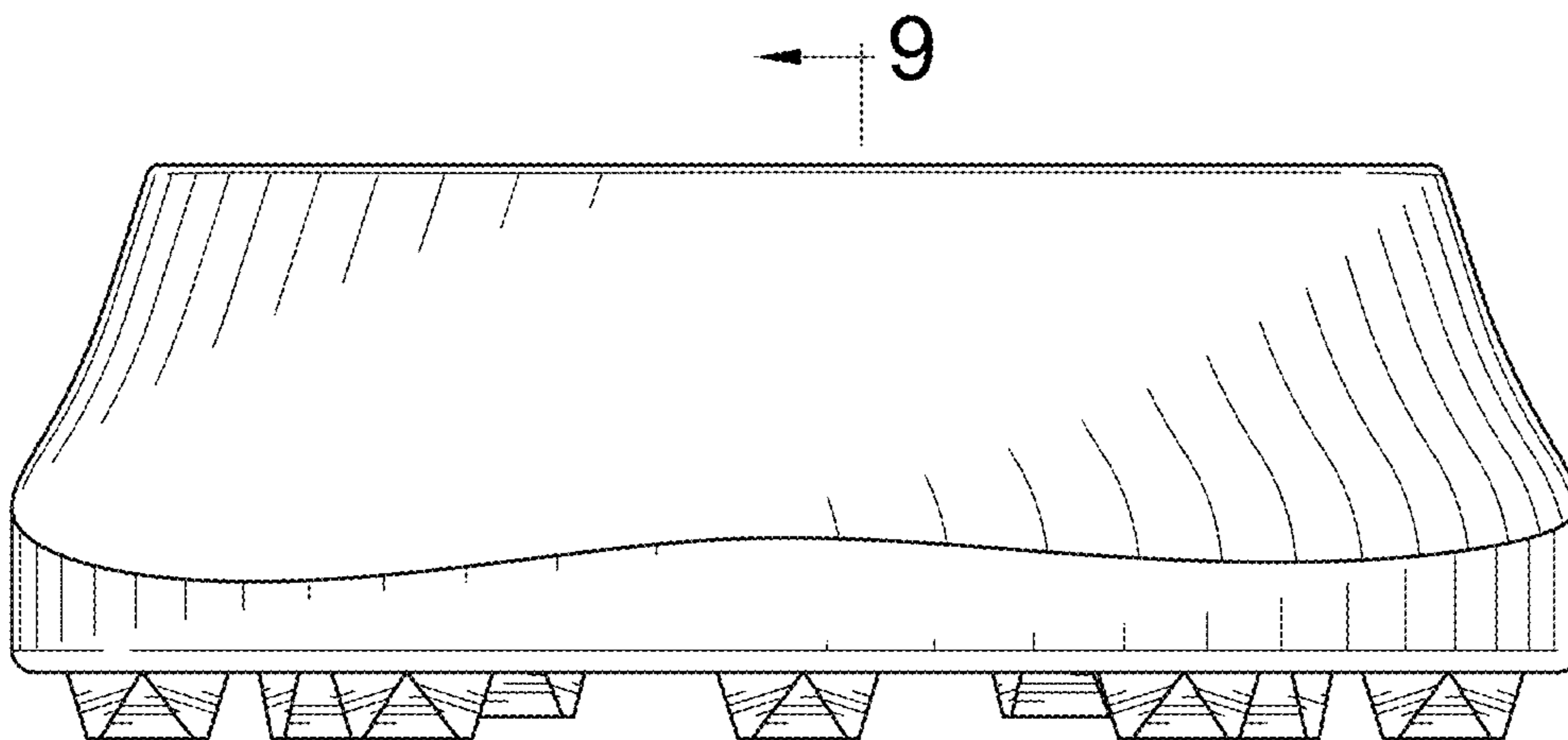


FIG. 3



9

9

FIG. 4

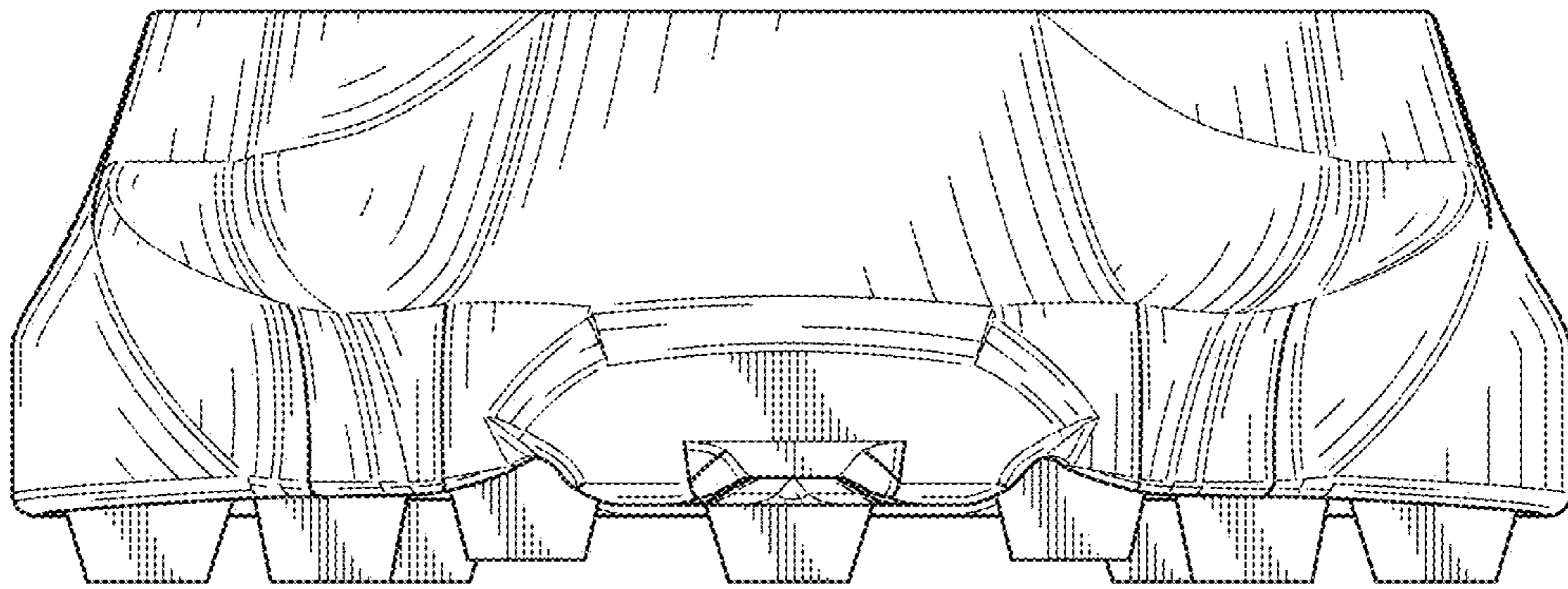


FIG. 5

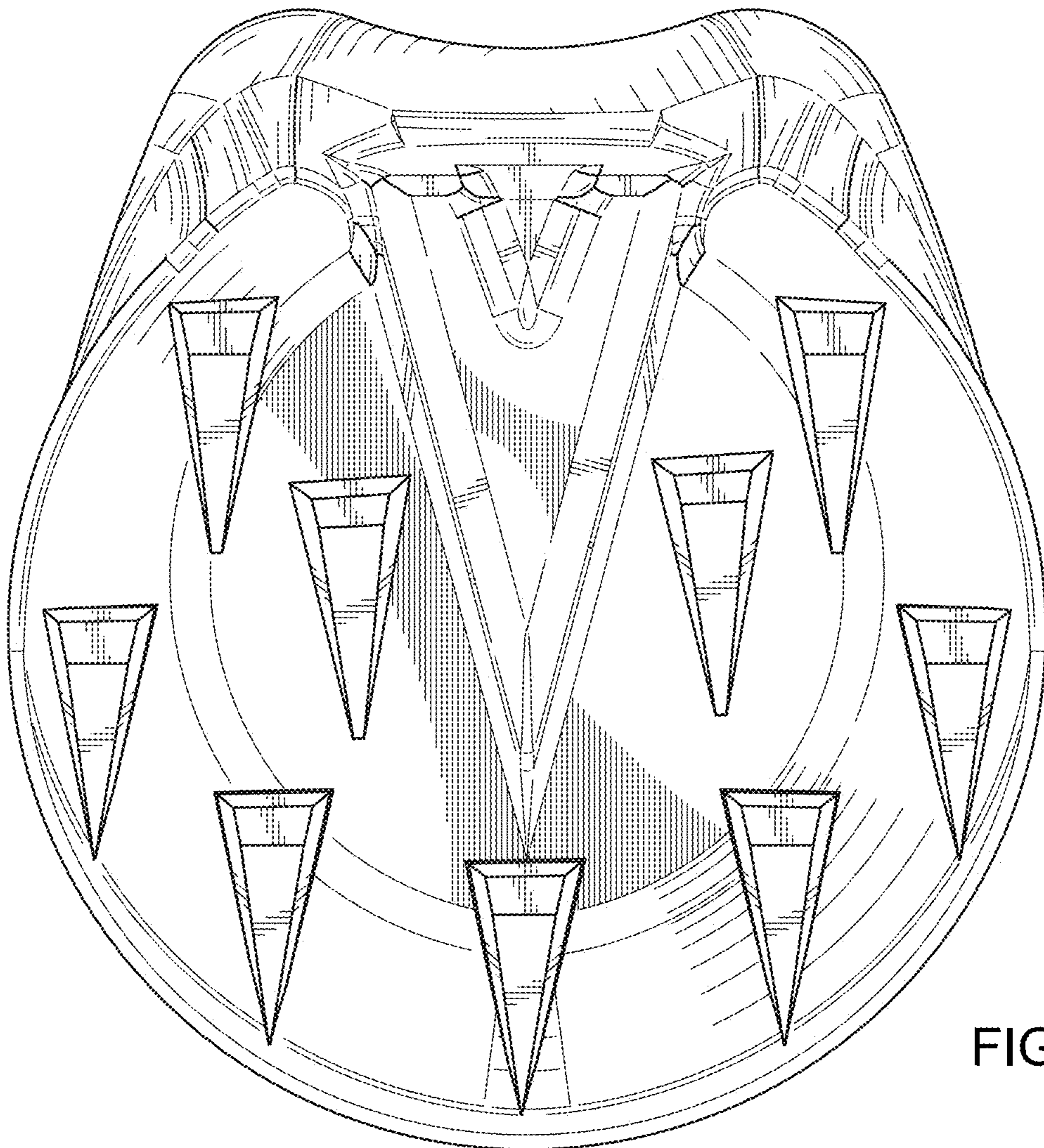


FIG. 6

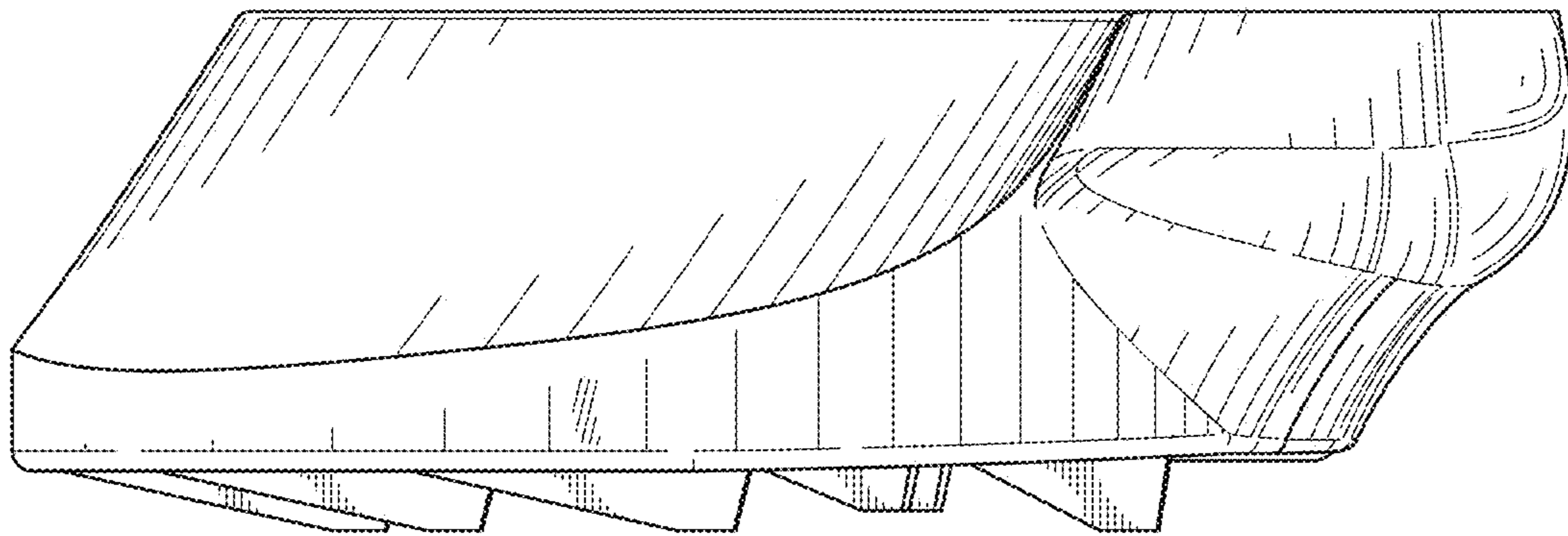


FIG. 7

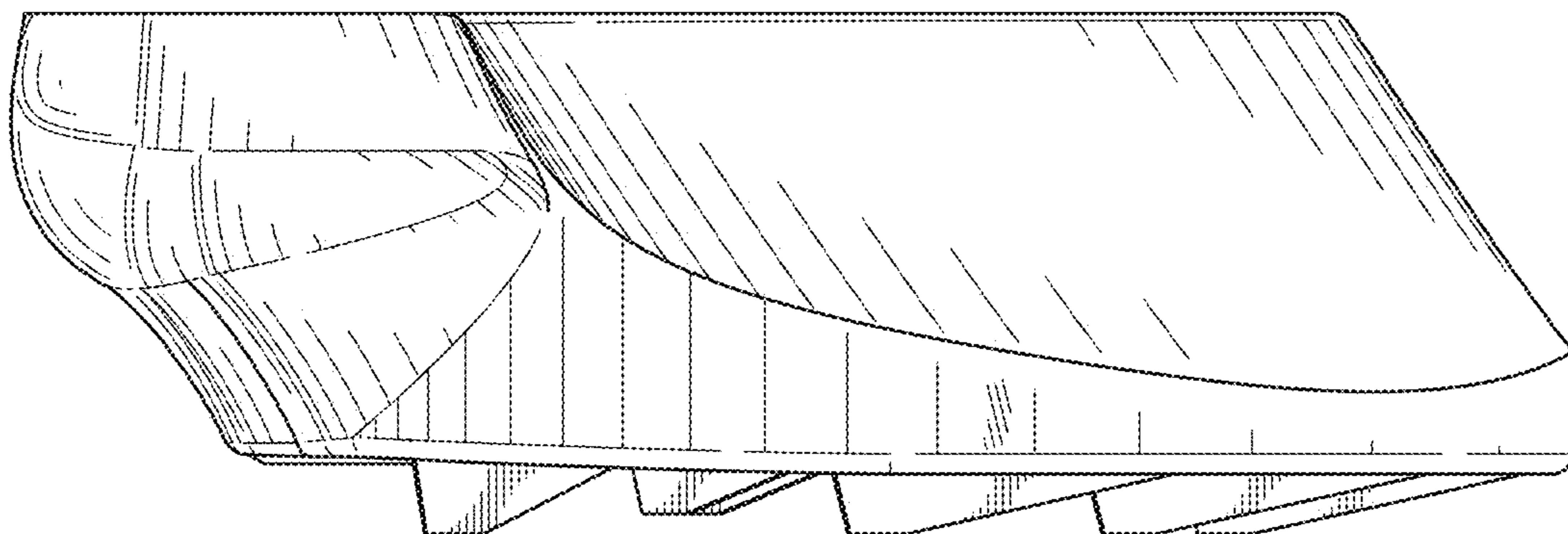


FIG. 8

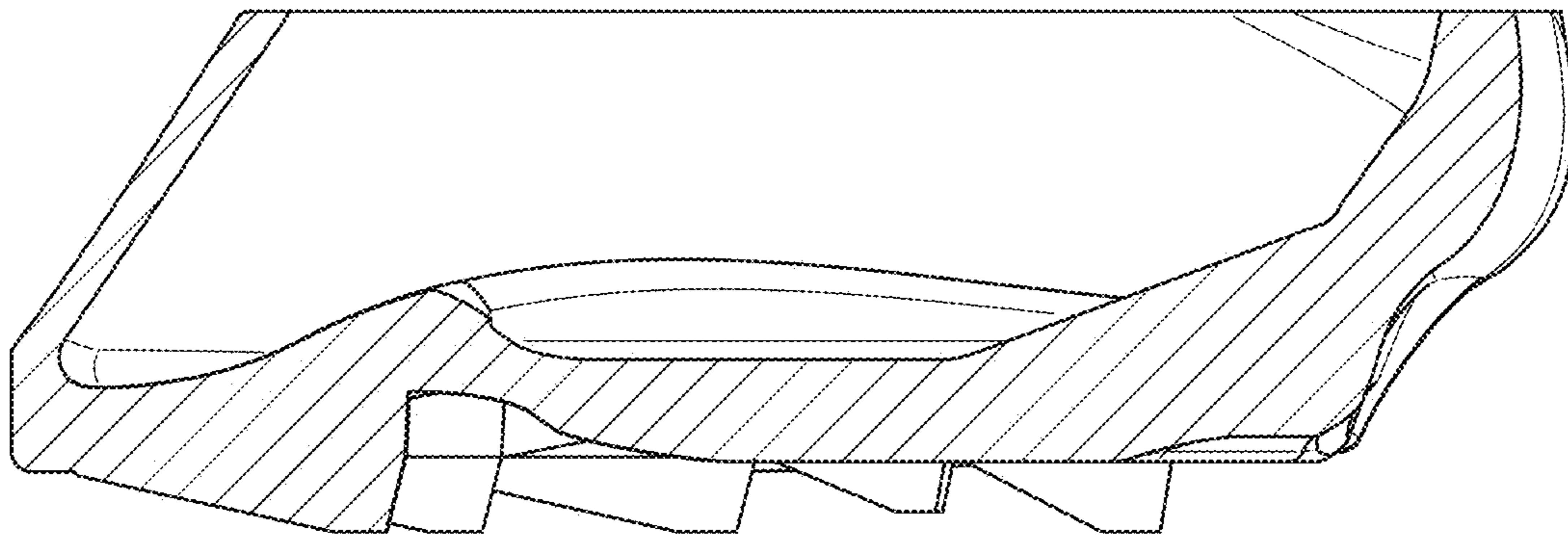


FIG. 9