



US00D874739S

(12) **United States Design Patent** (10) **Patent No.:** **US D874,739 S**
Edmonds (45) **Date of Patent:** **** Feb. 4, 2020**

(54) **ANIMAL ENCLOSURE**
(71) Applicant: **Edmonds Outdoors, LLC**, Brentwood, TN (US)
(72) Inventor: **Addison Edmonds**, Brentwood, TN (US)
(73) Assignee: **Edmonds Outdoors, LLC**, Brentwood, TN (US)

5,253,612 A * 10/1993 Goetz A01K 1/2045 119/496
D351,688 S 10/1994 Northrop et al.
5,357,900 A 10/1994 Ho
D352,573 S 11/1994 Sampson et al.
5,669,331 A 9/1997 Richmond
(Continued)

(**) Term: **15 Years**

FOREIGN PATENT DOCUMENTS

CN 2764148 Y 3/2006
CN 102037899 A 5/2011
WO 1999018317 A1 4/1999

(21) Appl. No.: **29/644,742**
(22) Filed: **Apr. 20, 2018**
(51) **LOC (12) Cl.** **30-02**
(52) **U.S. Cl.**
USPC **D30/119**
(58) **Field of Classification Search**
USPC D30/108-120; D3/304; D9/430
CPC ... A01K 1/00; A01K 1/02; A01K 1/03; A01K 1/033; A01K 1/034; A01K 1/035; A01K 1/0254; A01K 1/011; A01K 1/0107; A01K 1/0125; A01K 1/0121
See application file for complete search history.

OTHER PUBLICATIONS

“Alumni Profile: Addison Edmonds”. Found on line Jun. 22, 2016 at olemissalumni.com. Page dated Mar. 1, 2015. Retrieved from <http://www.olemissalumni.com/alumni-profile-addison-edmonds/>.
(Continued)

Primary Examiner — Sheryl Lane
Assistant Examiner — Aula Soroush
(74) *Attorney, Agent, or Firm* — Waller Lansden Dortch & Davis, LLP; Matthew C. Cox

(56) **References Cited**

U.S. PATENT DOCUMENTS

4,016,833 A 4/1977 Ray
4,525,952 A 7/1985 Cunningham et al.
4,696,259 A 9/1987 Fewox
4,852,520 A 8/1989 Goetz
4,917,047 A 4/1990 Wazeter, III
D308,429 S * 6/1990 VanSkiver D30/109
D308,588 S * 6/1990 Goetz D30/109
D312,333 S 11/1990 Van Skiver
D314,251 S 1/1991 Van Skiver
5,154,137 A 10/1992 Stanaland
5,168,829 A 12/1992 Dietrich
D334,087 S * 3/1993 Goetz 119/496
5,220,882 A 6/1993 Jenkins

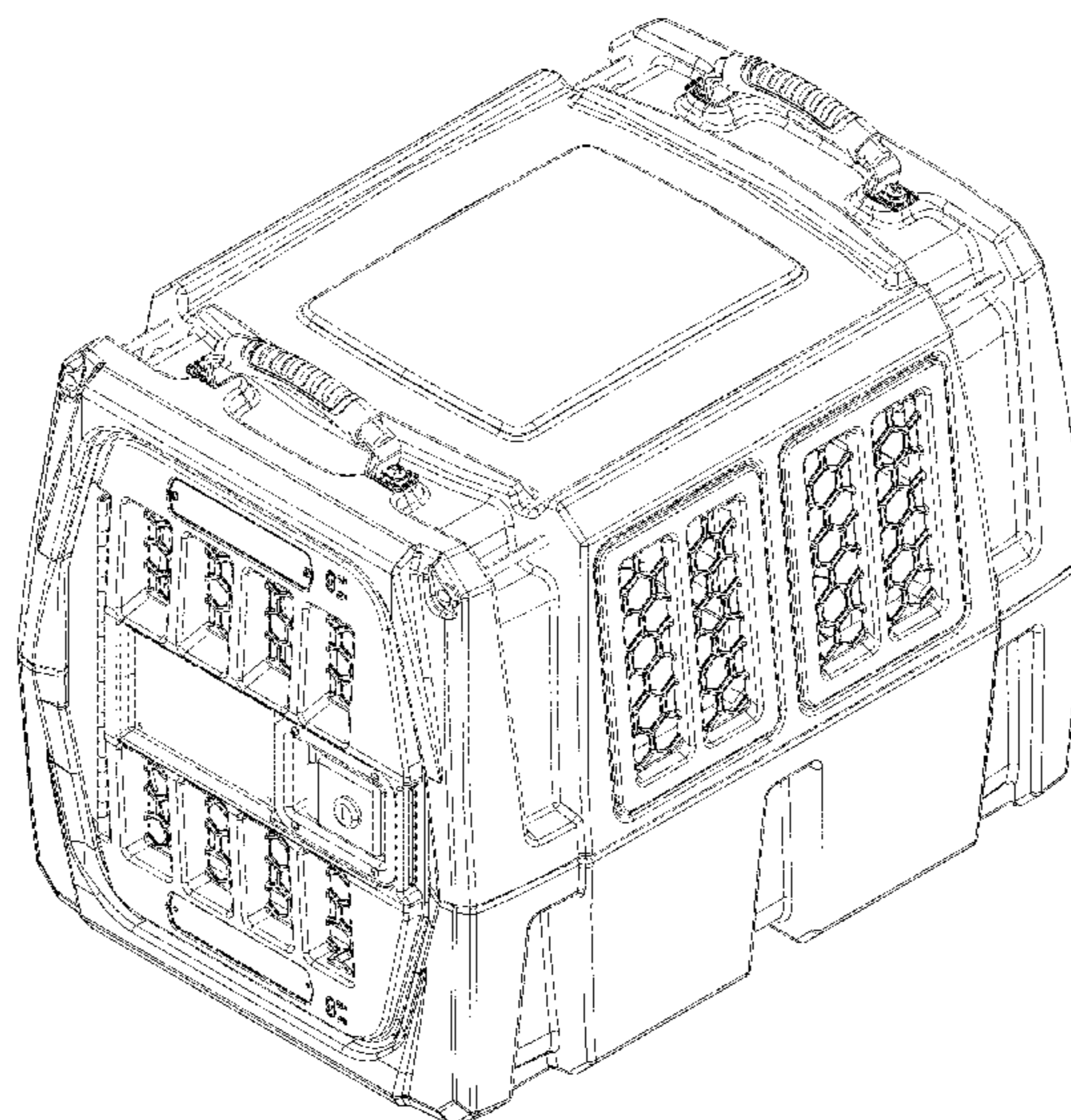
CLAIM

(57) The ornamental design for an animal enclosure, as shown and described.

DESCRIPTION

FIG. 1 is a front perspective view of an animal enclosure showing my new design;
FIG. 2 is a front elevation view thereof;
FIG. 3 is a right side elevation view thereof;
FIG. 4 is a left side elevation view thereof;
FIG. 5 is a back view thereof;
FIG. 6 is a top view thereof; and,
FIG. 7 is a bottom plan view thereof.
The broken lines in the drawings illustrate portions of the animal enclosure that form no part of the claimed design.

1 Claim, 7 Drawing Sheets



(56)

References Cited

U.S. PATENT DOCUMENTS

5,727,503 A 3/1998 Whittaker
 5,911,763 A 6/1999 Quesada
 D426,680 S 6/2000 Morley
 6,095,088 A 8/2000 Savicki
 D445,222 S * 7/2001 Ross D30/108
 6,345,591 B1 2/2002 Richmond
 6,427,631 B1 * 8/2002 Ross A01K 1/0245
 119/453
 6,446,577 B1 9/2002 Salahor
 D470,628 S * 2/2003 Kinder D30/108
 D471,676 S * 3/2003 Kinder D30/108
 6,571,740 B1 6/2003 Kinder et al.
 6,840,193 B2 1/2005 Kost et al.
 7,025,394 B1 4/2006 Hunt
 7,036,458 B1 5/2006 Stornant
 7,044,083 B2 5/2006 Farmer et al.
 D529,666 S 10/2006 Simpson et al.
 D538,942 S 3/2007 Grundy
 D545,507 S 6/2007 Harper et al.
 D546,005 S 7/2007 Harper et al.
 D551,399 S 9/2007 Harper et al.
 D555,292 S 11/2007 Harper et al.
 7,322,315 B2 1/2008 Brewer et al.
 D571,053 S * 6/2008 Donnelly D30/108
 D571,054 S * 6/2008 Donnelly D30/108
 D574,559 S 8/2008 You et al.
 D583,108 S 12/2008 Richardson
 D584,458 S 1/2009 You et al.
 D611,201 S * 3/2010 Jakubowski D30/108
 D611,202 S * 3/2010 Jakubowski D30/108
 D615,251 S 5/2010 Scherbing
 D617,958 S 6/2010 Benincasa et al.
 7,802,540 B2 9/2010 Jakubowski et al.
 8,127,715 B2 3/2012 Leung
 8,132,537 B2 3/2012 Trunnell et al.
 D659,294 S * 5/2012 Veness D30/109
 D671,691 S 11/2012 Neilan
 8,336,500 B1 12/2012 Britt
 D680,696 S 4/2013 Hammel
 8,408,416 B2 4/2013 Cheng-Lung et al.
 8,413,472 B2 4/2013 Chiang
 D692,621 S 10/2013 Ganahl
 D696,473 S 12/2013 Ganahl
 8,613,260 B2 12/2013 Veness et al.
 D703,876 S * 4/2014 Chance D30/108
 8,733,292 B2 5/2014 Nichols
 8,757,095 B2 6/2014 Farmer et al.
 D713,099 S * 9/2014 Chance D30/109
 D717,005 S 11/2014 Skaggs
 D720,503 S 12/2014 Lloyd
 9,095,120 B1 8/2015 Skaggs
 9,119,375 B2 9/2015 Flannery et al.
 9,173,374 B2 11/2015 Hovsepian
 D760,447 S * 6/2016 Edmonds D30/109
 9,370,165 B2 6/2016 de Bien

D768,941 S * 10/2016 Edmonds D30/109
 D778,510 S 2/2017 Edmonds
 D808,596 S * 1/2018 Veness D30/108
 D822,912 S 7/2018 Edmonds
 D827,211 S * 8/2018 Cronkhite D30/119
 D827,212 S * 8/2018 Cronkhite D30/119
 2004/0016409 A1 1/2004 Schwinghammer et al.
 2004/0134444 A1 7/2004 Shiever et al.
 2005/0284399 A1 12/2005 Asma
 2009/0101075 A1 4/2009 Matlack
 2009/0223461 A1 * 9/2009 Trunnell A01K 1/0245
 119/472
 2010/0043720 A1 2/2010 Yelverton
 2010/0192870 A1 * 8/2010 Wood A01K 1/0245
 119/496
 2011/0220033 A1 * 9/2011 Sangl A01K 1/0245
 119/455
 2012/0037083 A1 * 2/2012 Greene A01K 1/0245
 119/497
 2013/0055962 A1 3/2013 Scoggins
 2013/0233250 A1 * 9/2013 Veness A01K 1/034
 119/496
 2014/0083366 A1 * 3/2014 Veness A01K 1/0236
 119/482
 2015/0034018 A1 * 2/2015 Edmonds A01K 1/0245
 119/496
 2016/0192615 A1 7/2016 Parness

OTHER PUBLICATIONS

“Dog Crate Door: How We Made it Stronger and Escape-Proof”. Found on line Jun. 22, 2016 at gunnerkennels.com. Page dated Apr. 10, 2015. Retrieved from <https://www.gunnerkennels.com/blog/dog-crate-door-how-we-made-it-stronger-and-escape-proof>.
 “Gunnar Kennel”. Found on line Jun. 22, 2016 at youtube.com. Page dated May 14, 2015. Retrieved from <https://www.youtube.com/watch?v=zoMMvAnhu30>.
 “Pet Travel Carriers and Crates—Crash Test Results”. Found on line Jun. 22, 2016 at gopetfriendlyblog.com. Page dated 0713012015. Retrieved from <http://www.gopetfriendlyblog.com/pet-travel-carriers-and-crates-crash-test-results/>.
 “ArcticShield Kennel Covers.” Found online Apr. 11, 2018 at www.youtube.com. Page dated Jul. 14, 2015. Retrieved from URL: <https://www.youtube.com/watch?v=R3XSN-cPQSE> (Year: 2015).
 “Mud River Dixie Kennel Cover.” Found online Apr. 11, 2018 at www.amazon.com. Page dated Dec. 13, 2014. Retrieved from URL: <https://goo.gl/XBrdqZ> (Year: 2014).
 “Classic Accessories Insulated Dog Kennel Jacket.” Found on line Apr. 11, 2018 at www.amazon.com. Page dated 0710212010. Retrieved from URL: <https://www.amazon.com/classic-accessories-insulated-kennel-realtree/dp/b000pd8cck> (Year: 2010).
 PCT/US2014/049800, International Search Report, dated Nov. 21, 2014, 13 pages.

* cited by examiner

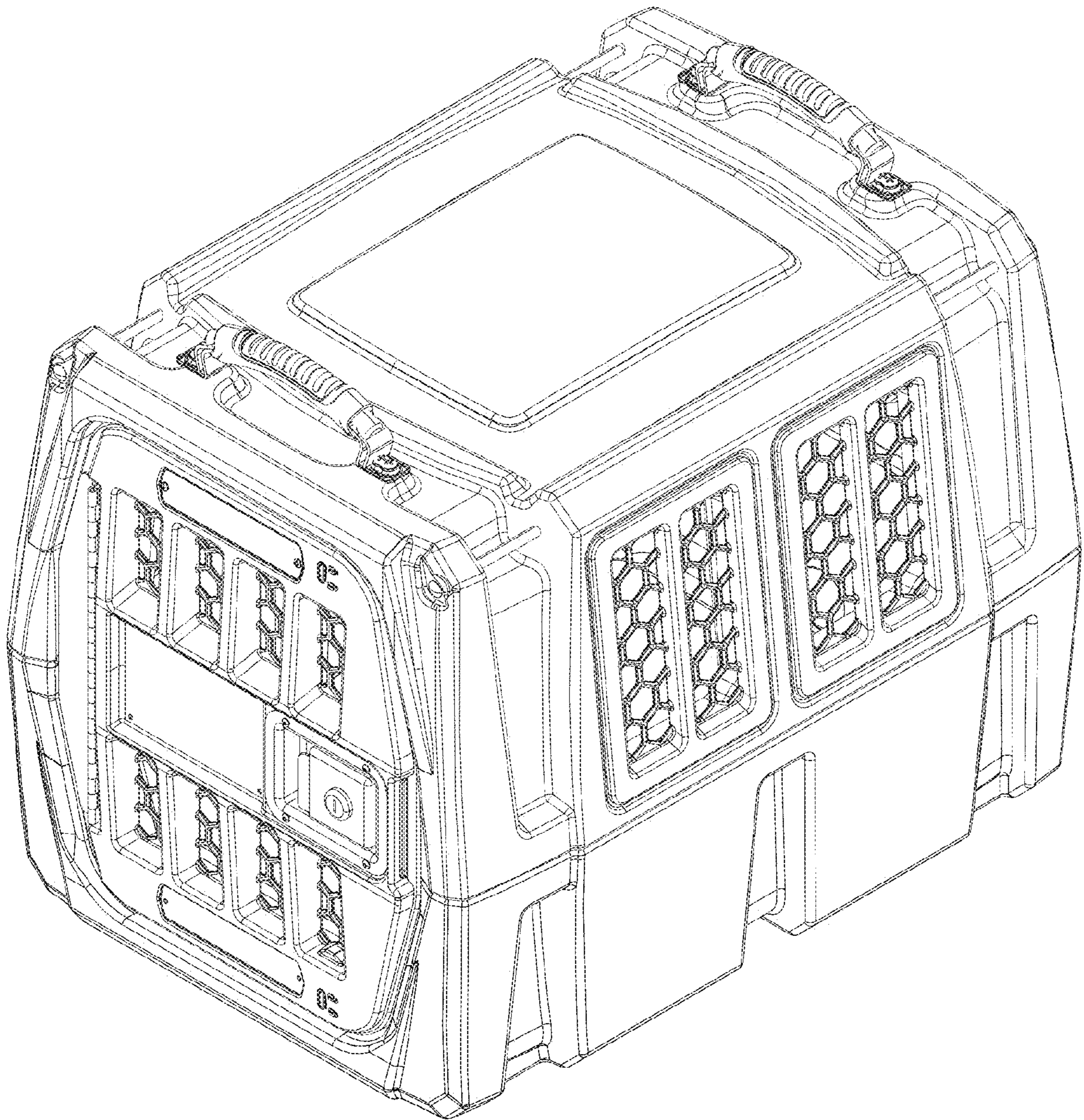


FIG. 1

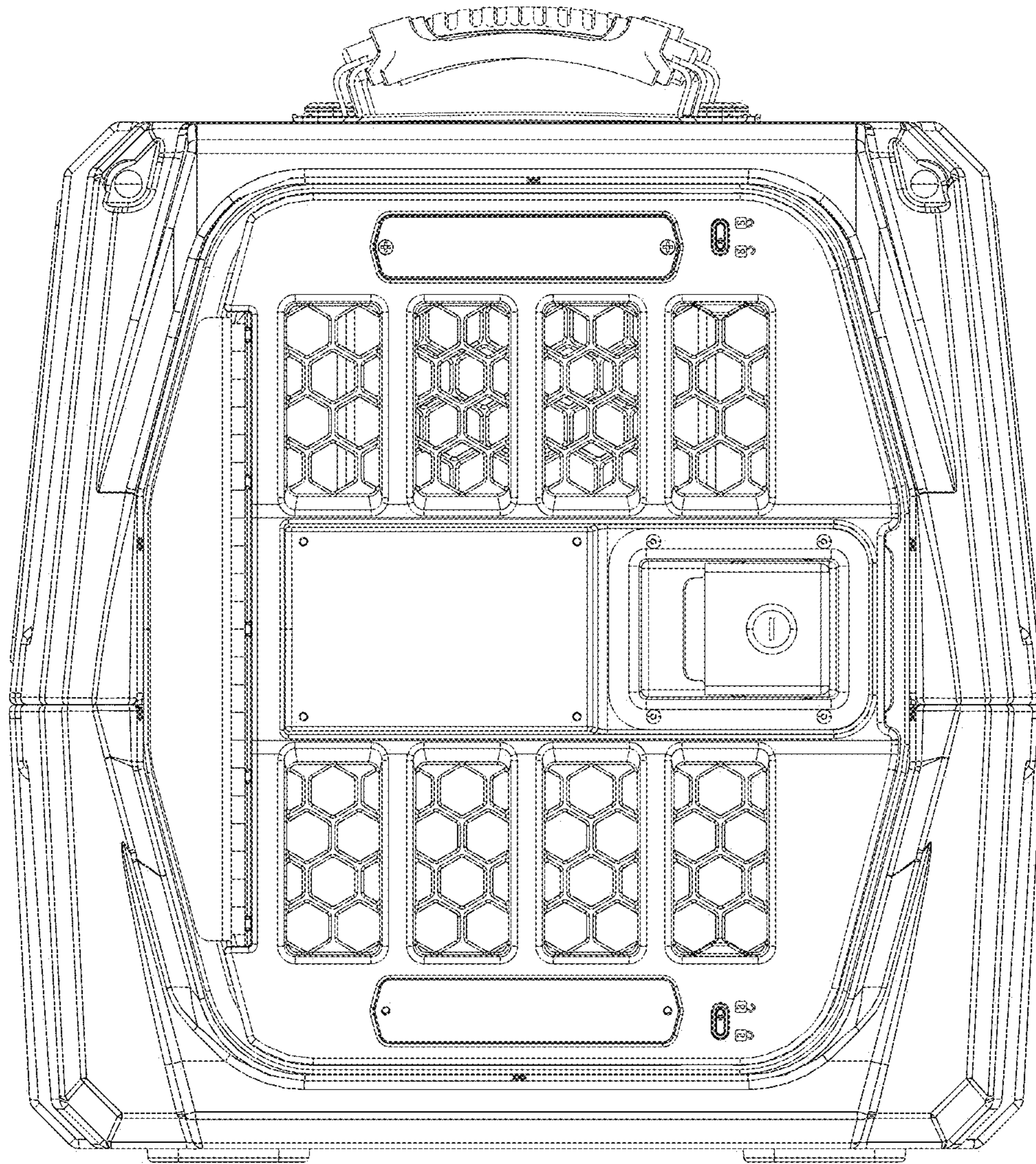


FIG. 2

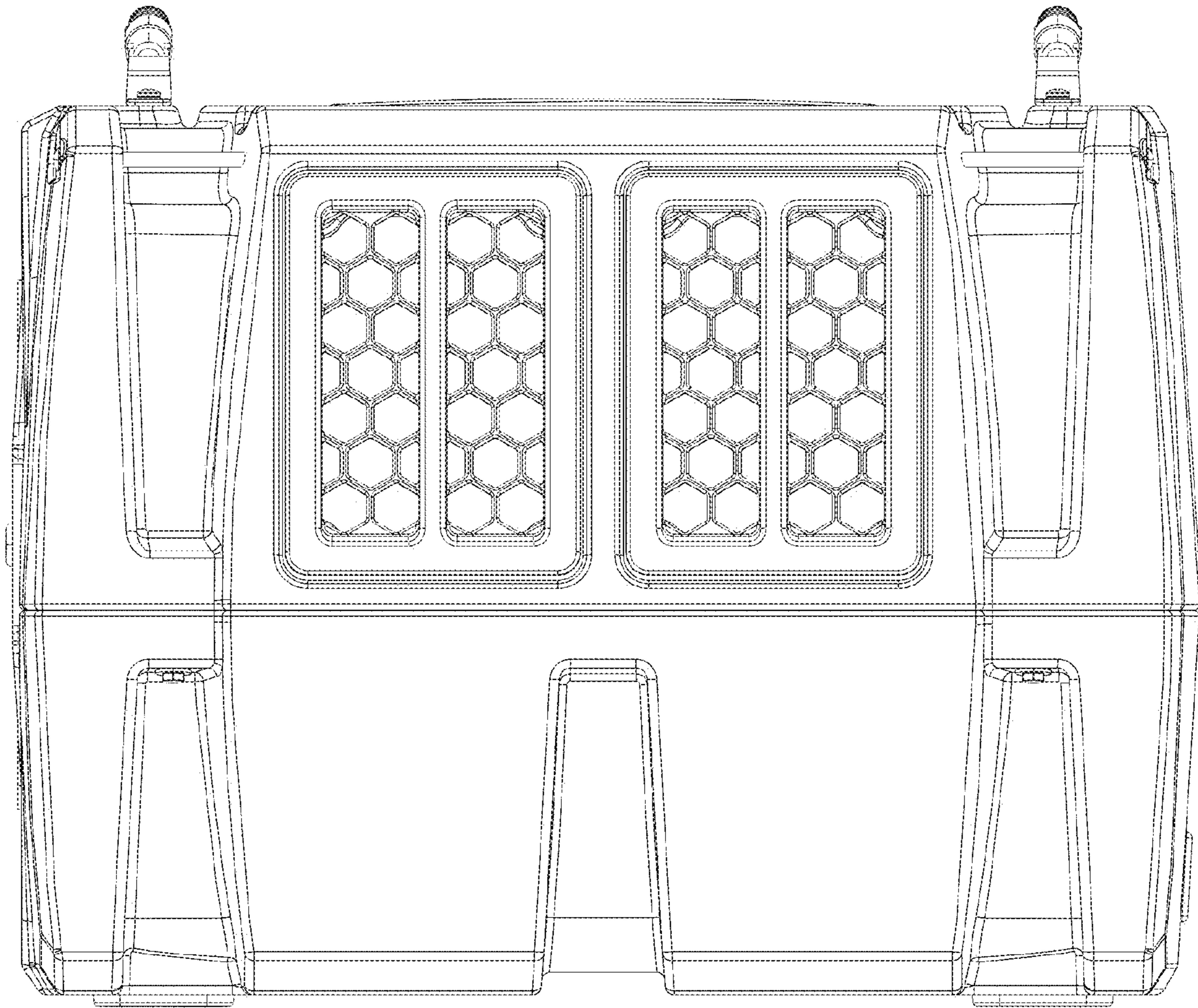


FIG. 3

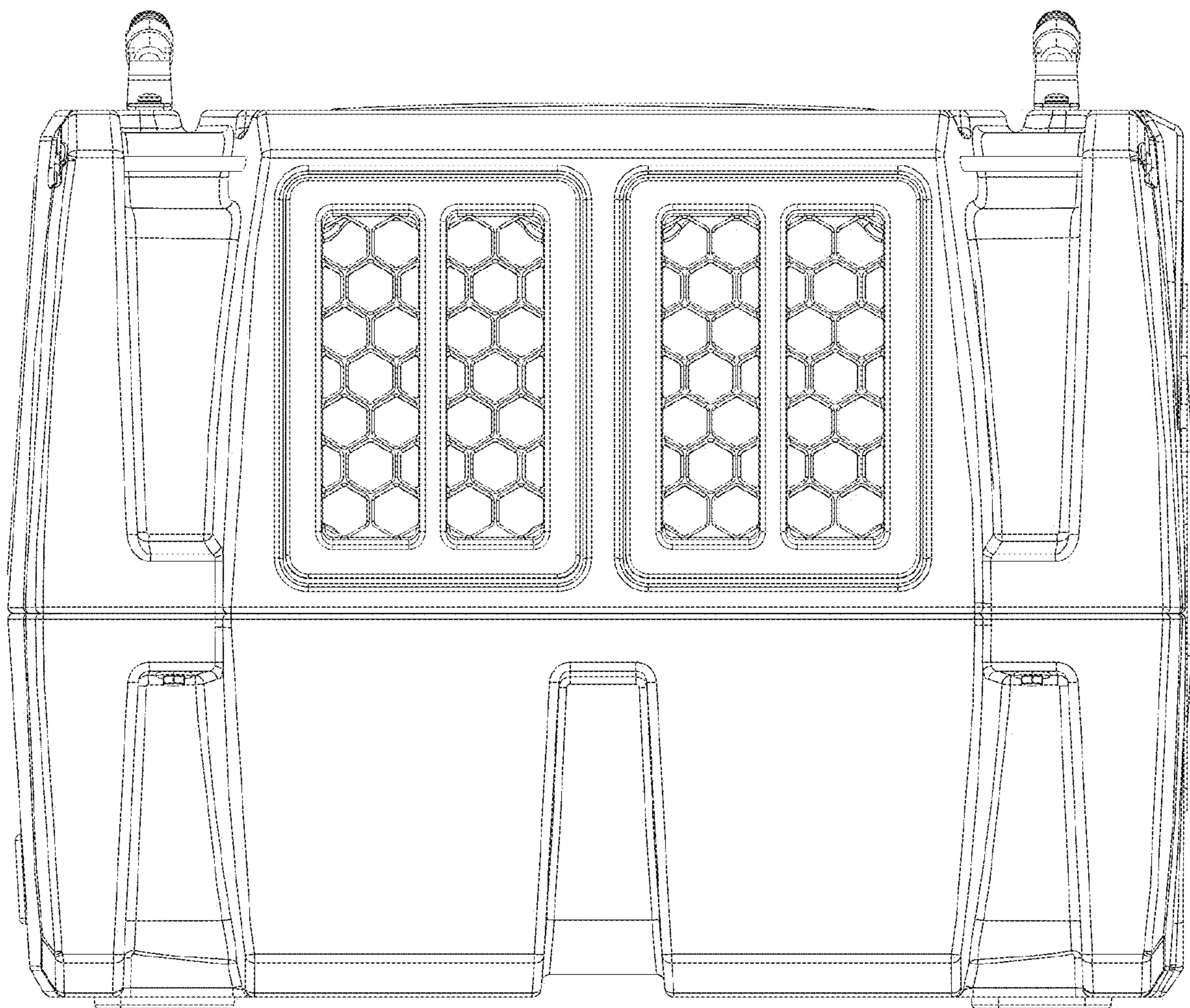


FIG. 4

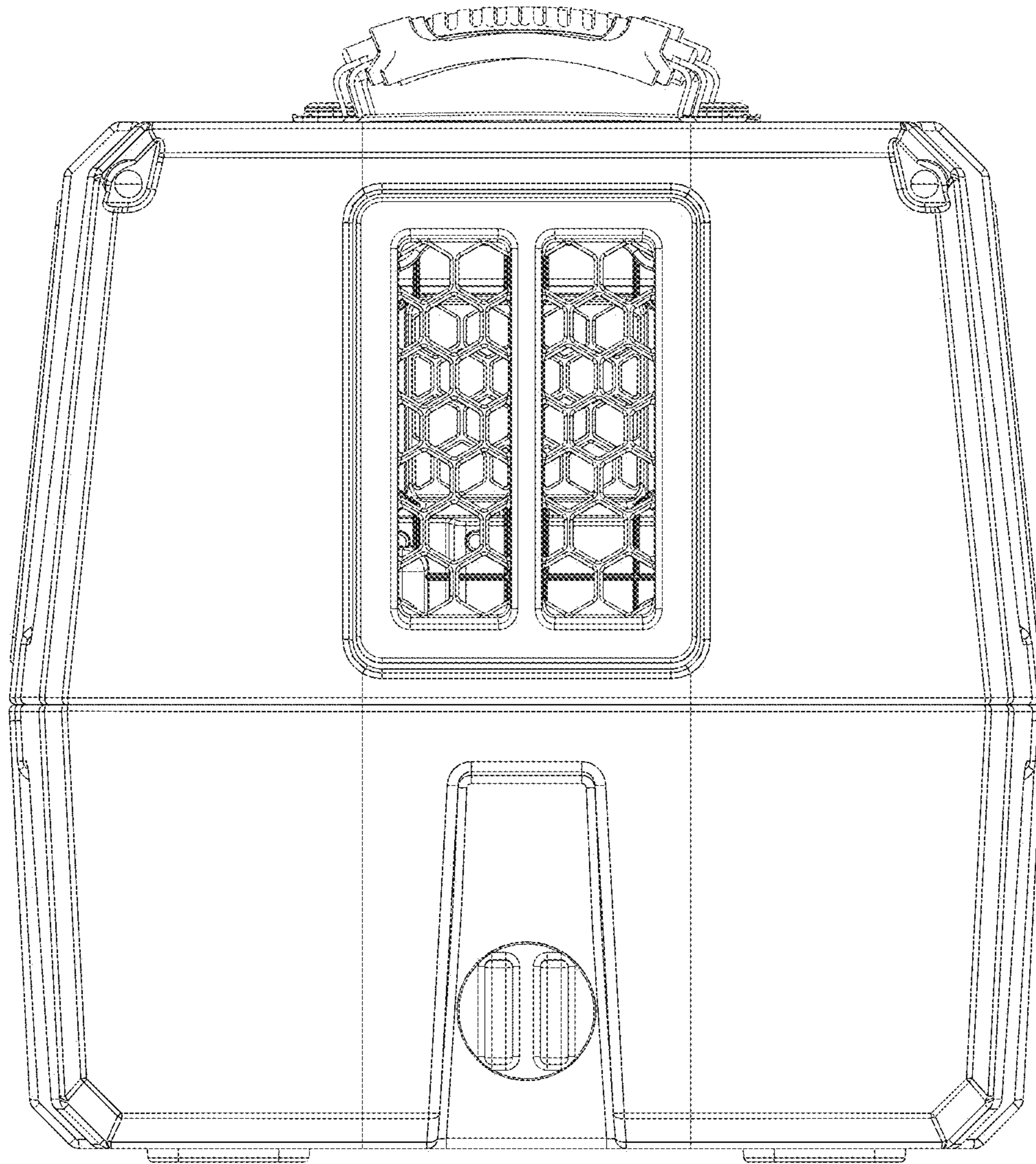


FIG. 5

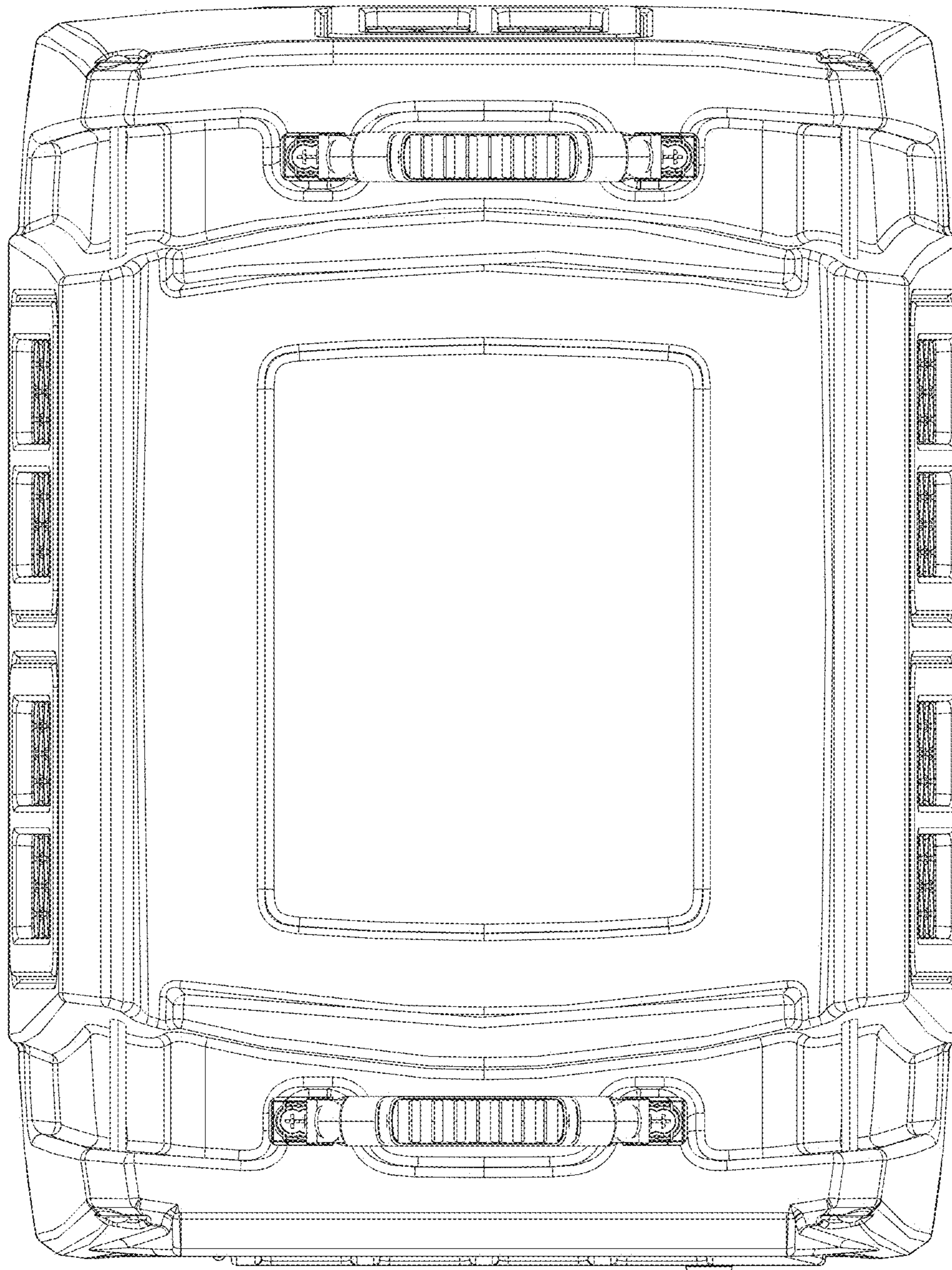


FIG. 6

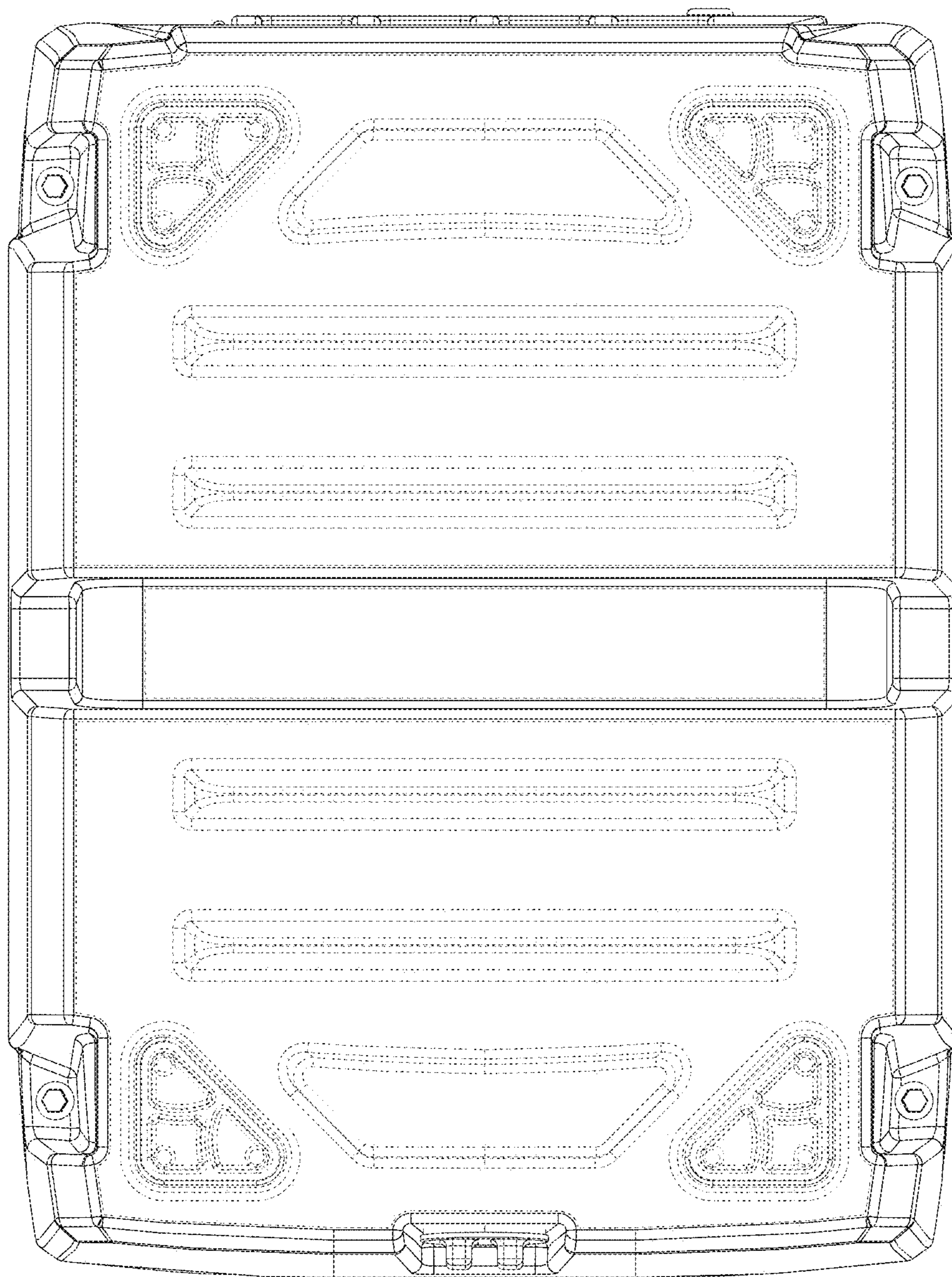


FIG. 7