

US00D874737S

(12) **United States Design Patent**
Lin

(10) **Patent No.:** **US D874,737 S**
(45) **Date of Patent:** **** Feb. 4, 2020**

(54) **PET PACK**

(71) Applicant: **IBBI Pty., Ltd.**, New Taipei (TW)

(72) Inventor: **Chung-Jung Lin**, New Taipei (TW)

(**) Term: **15 Years**

(21) Appl. No.: **29/609,199**

(22) Filed: **Jun. 29, 2017**

(51) **LOC (12) Cl.** **30-02**

(52) **U.S. Cl.**
USPC **D30/108**

(58) **Field of Classification Search**
USPC D30/108, 109, 112–117, 199; D21/433;
D12/128, 129, 133; D3/273, 276,
D3/288–289, 301; D34/12, 34, 27;
119/482, 496–498, 500, 501; 206/62,
206/647–650; 24/32
CPC A01K 15/025; A01K 15/027; A01K 1/029;
A01K 15/0245; A01K 15/0254; A01K
15/0272; A01K 1/0035; B62B 1/12
See application file for complete search history.

(56) **References Cited**

U.S. PATENT DOCUMENTS

- 6,076,485 A * 6/2000 Peeples A01K 1/0254
119/496
- D524,995 S * 7/2006 Dudas D30/109
- D575,461 S * 8/2008 Cannon D3/273
- D621,101 S * 8/2010 Hu D30/109
- 8,261,698 B1 * 9/2012 McClain A01K 1/0254
119/497

- D685,952 S * 7/2013 Dixon D30/109
- D705,497 S * 5/2014 Renforth D30/108
- D713,605 S * 9/2014 Lipscomb D30/108
- 9,392,766 B1 * 7/2016 Elden A01K 1/0035
- D804,738 S * 12/2017 Nourollah D30/109
- D808,084 S * 1/2018 Lu D30/109
- 2008/0072837 A1 * 3/2008 Redzisz A01K 1/0254
119/474
- 2008/0216760 A1 * 9/2008 Cannon A01K 1/0254
119/497
- 2010/0139573 A1 * 6/2010 Wilson A01K 1/0254
119/496
- 2010/0313824 A1 * 12/2010 Northrop A01K 1/0254
119/496

* cited by examiner

Primary Examiner — Kevin K Rudzinski
Assistant Examiner — Mehri F. Bajoul

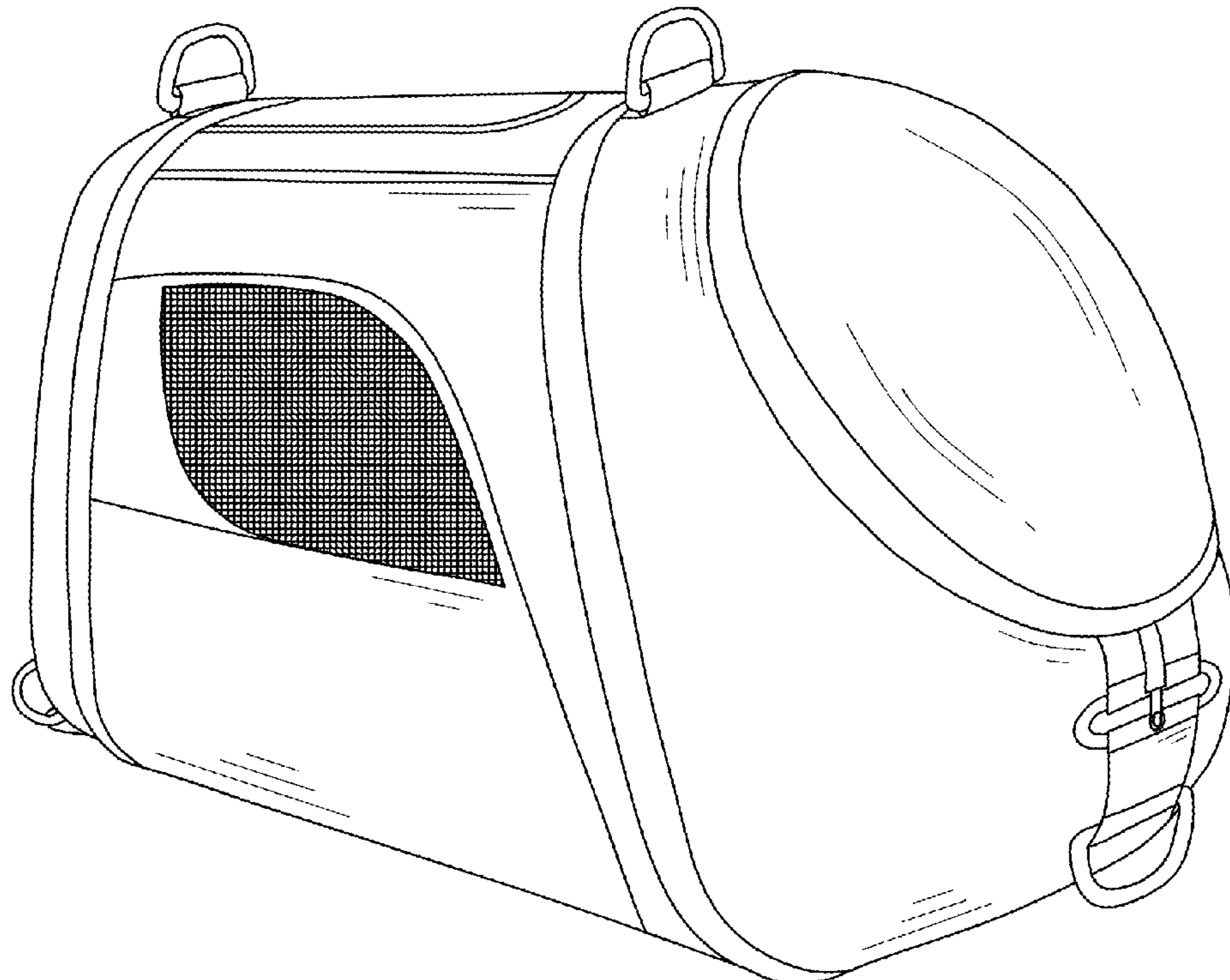
(57) **CLAIM**

The ornamental design for a pet pack, as shown and described.

DESCRIPTION

FIG. 1 is a front right top perspective view of a pet pack showing my new design;
FIG. 2 is a front view thereof;
FIG. 3 is a rear view thereof;
FIG. 4 is a left side view thereof;
FIG. 5 is a right side view thereof;
FIG. 6 is a top plan view thereof; and,
FIG. 7 is a bottom plan view thereof.

1 Claim, 7 Drawing Sheets



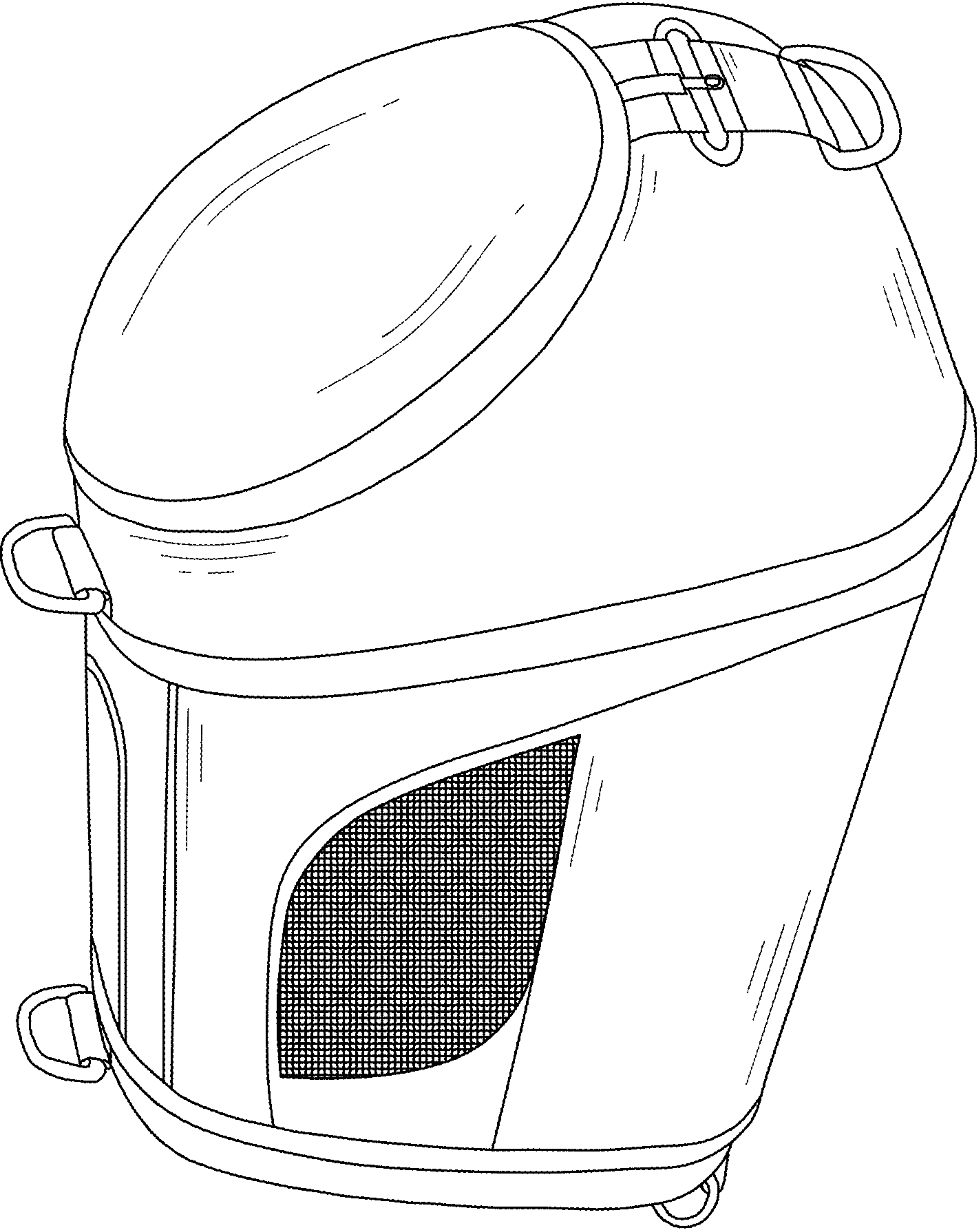


Fig. 1

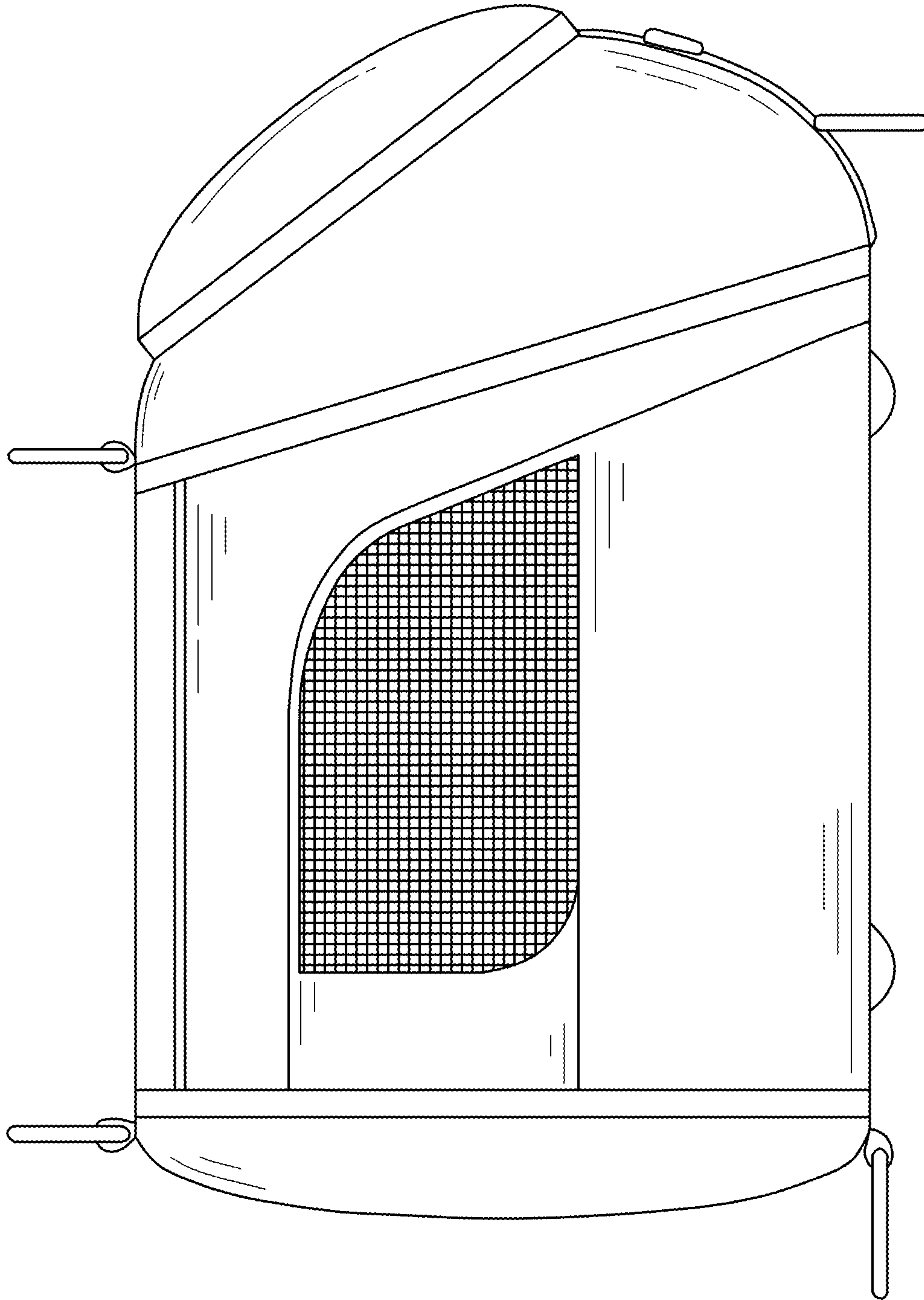


Fig. 2

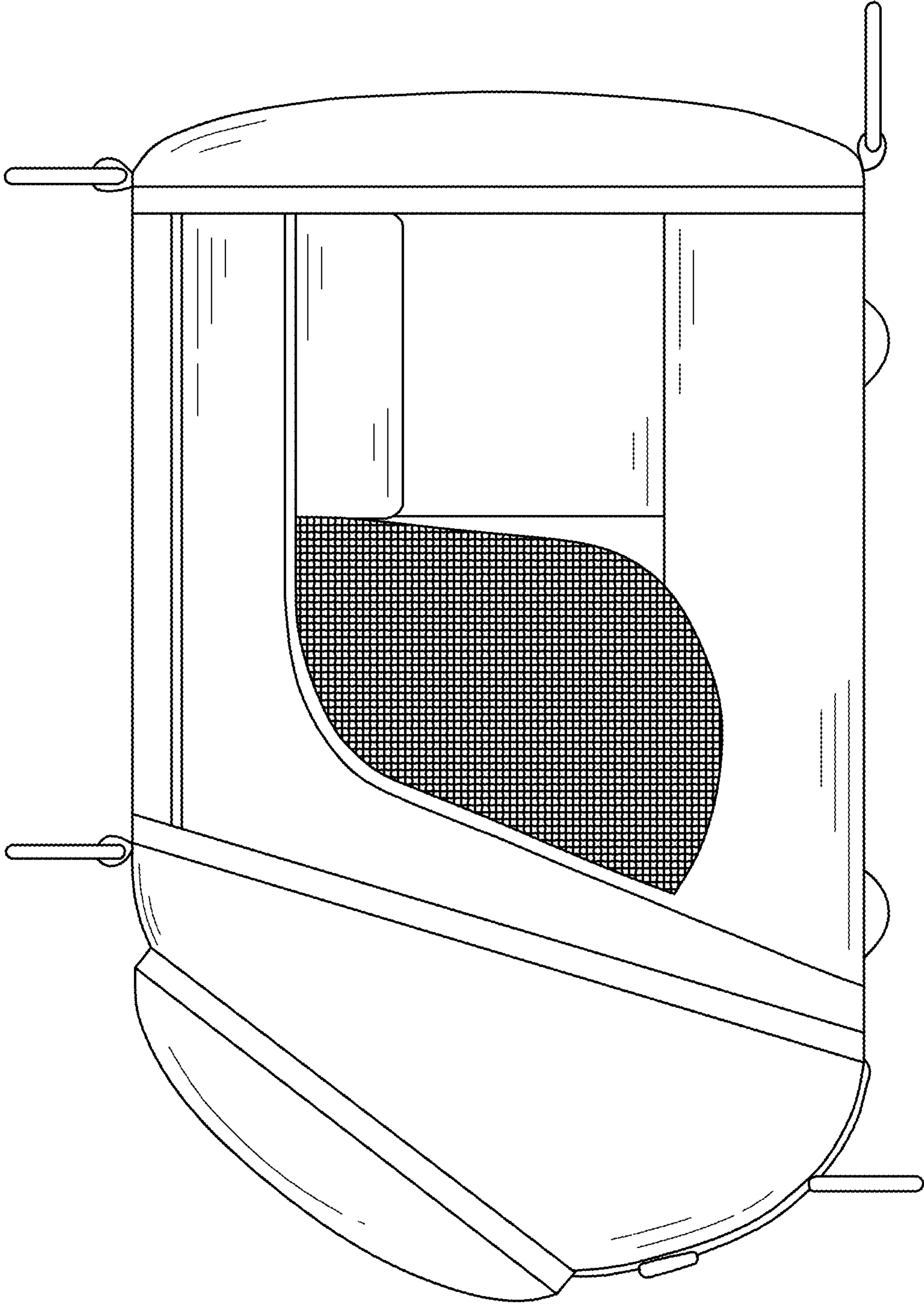


Fig. 3

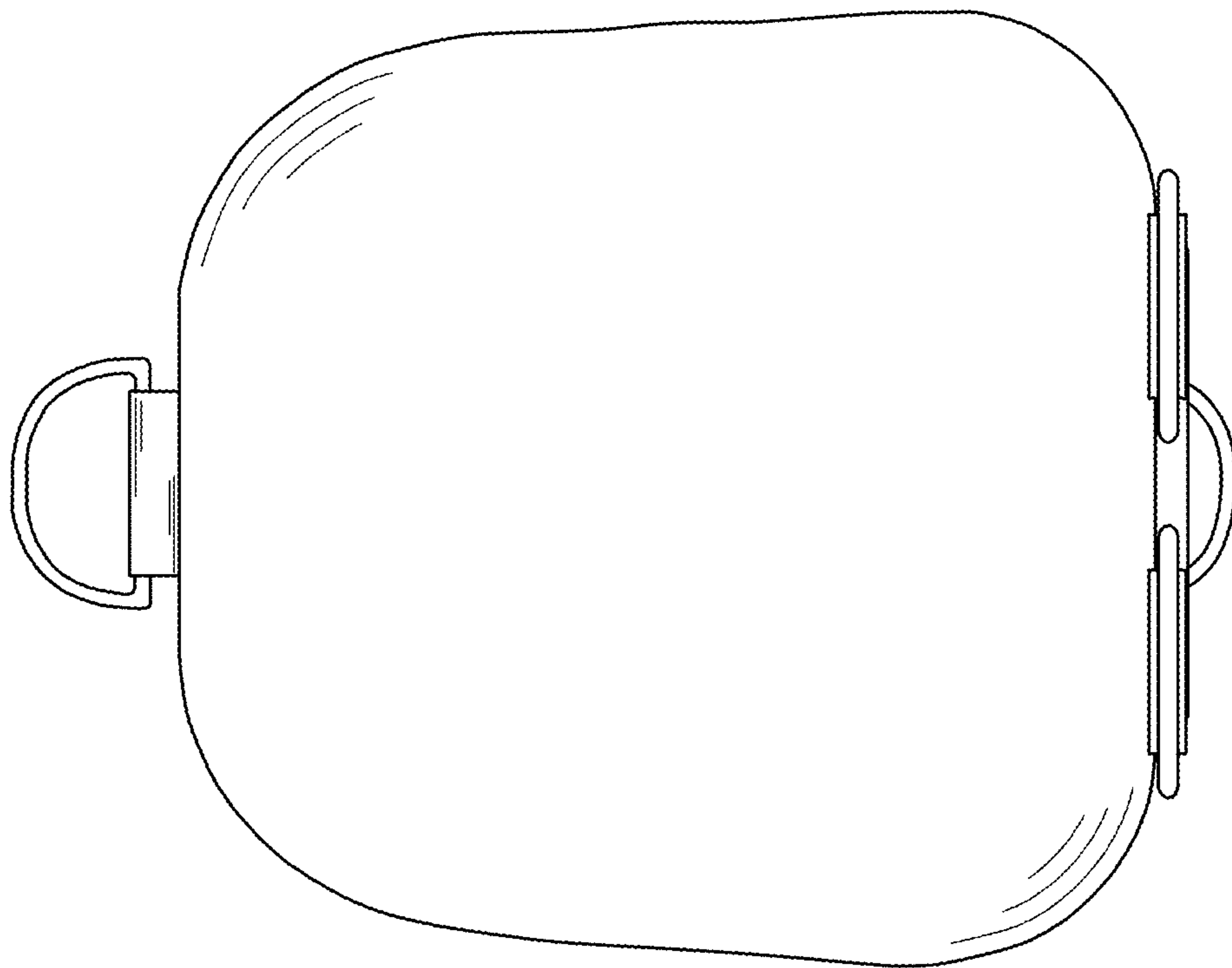


Fig. 4

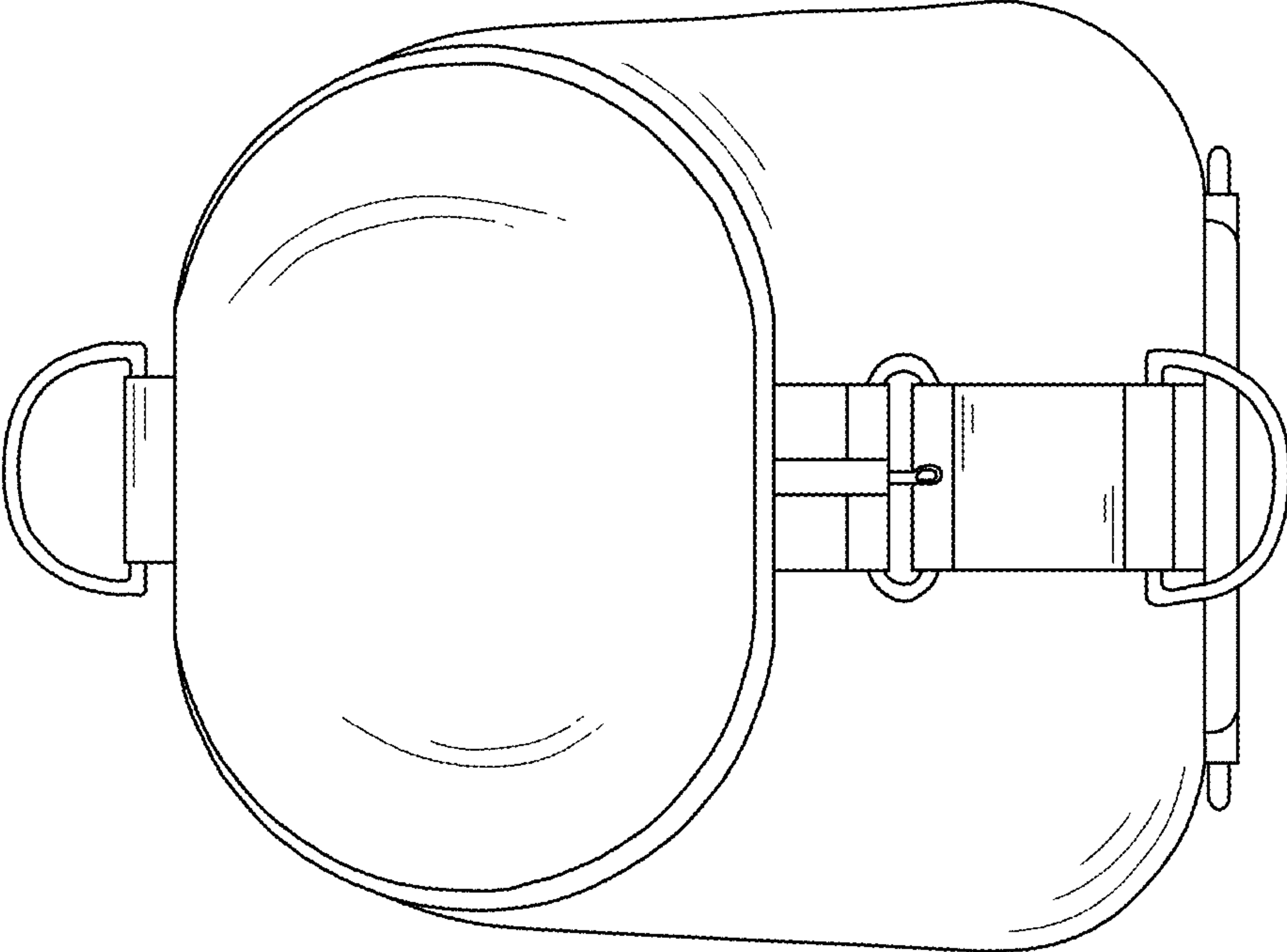


Fig. 5

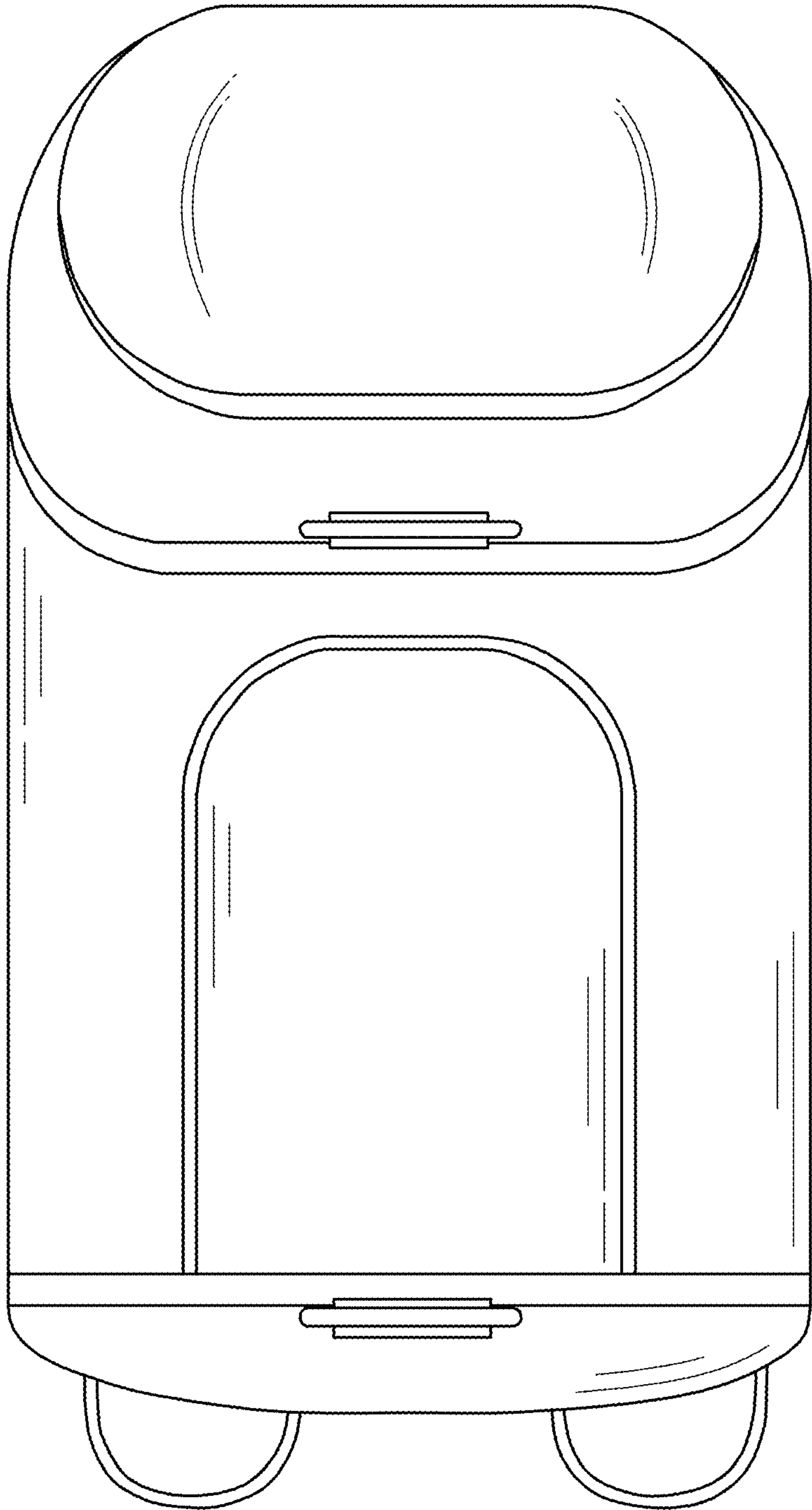


Fig. 6

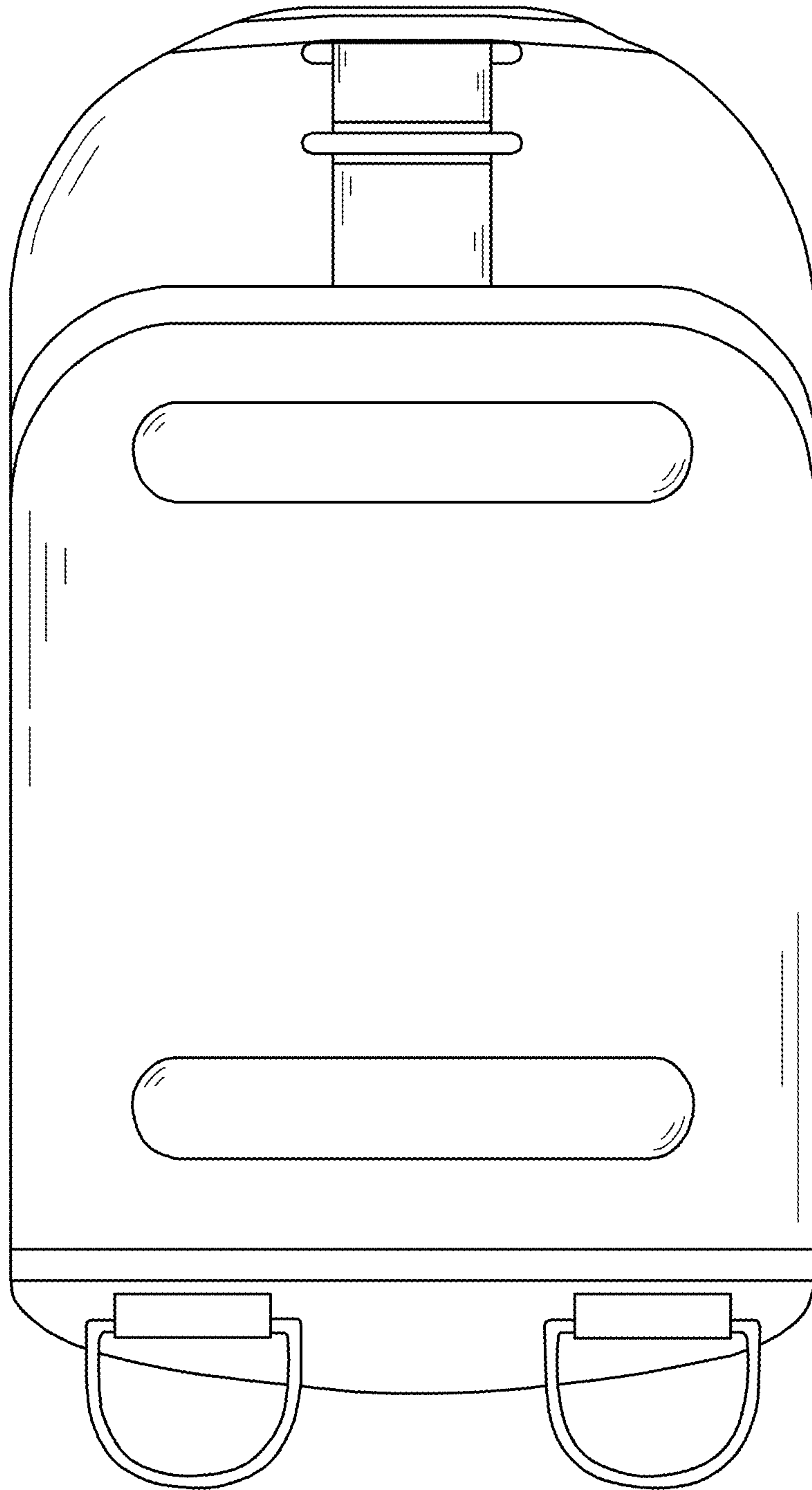


Fig. 7