



US00D874736S

(12) **United States Design Patent**
Bui

(10) **Patent No.:** **US D874,736 S**

(45) **Date of Patent:** **** Feb. 4, 2020**

(54) **HEARING PROTECTOR**

(71) Applicant: **3M INNOVATIVE PROPERTIES COMPANY**, St. Paul, MN (US)

(72) Inventor: **Van Cuong Bui**, Jönköping (SE)

(73) Assignee: **3M INNOVATIVE PROPERTIES COMPANY**, St. Paul, MN (US)

(**) Term: **15 Years**

(21) Appl. No.: **29/643,883**

(22) Filed: **Apr. 12, 2018**

(30) **Foreign Application Priority Data**

Oct. 13, 2017 (EM) 001461602
 Oct. 20, 2017 (EM) 001461685

(51) **LOC (12) Cl.** **29-02**

(52) **U.S. Cl.**
 USPC **D29/112; D14/205**

(58) **Field of Classification Search**
 USPC D29/100, 102, 105, 106, 108, 112, 122;
 D14/205, 206, 223
 CPC A42B 3/16; A42B 3/163; A42B 3/166;
 A61F 11/06; A61F 11/08; A61F 11/10;
 A61F 11/12; A61F 11/14; A61F
 2011/085; H04R 1/10; H04R 1/1008;
 H04R 1/1016; H04R 1/105; H04R
 1/1058; H04R 1/1066; H04R 1/1075;
 H04R 1/1083; H04R 5/0335; H04R
 25/652; H04R 25/654; H04R 25/656;
 A63B 71/10

See application file for complete search history.

3,051,961 A * 9/1962 Clark A61F 11/14
 2/209
 D298,670 S * 11/1988 Palmaer D14/205
 D313,092 S * 12/1990 Nilsson D14/205
 D375,584 S * 11/1996 Westerdal D29/112
 D385,665 S * 10/1997 Westerdal D29/112
 D390,564 S * 2/1998 Savona D14/205
 D403,126 S * 12/1998 Scanlon D29/112
 D411,200 S * 6/1999 Almqvist D14/192
 D413,413 S * 8/1999 Dillon D14/205
 D427,382 S * 6/2000 Leight D29/112
 D434,191 S * 11/2000 Emilsson D29/112
 D459,033 S * 6/2002 Dix D29/112
 D459,034 S * 6/2002 Dix D29/112
 D465,616 S * 11/2002 Nilsson A61F 11/14
 D29/112
 D651,764 S * 1/2012 Gresko A61F 11/14
 D29/112
 D663,900 S * 7/2012 Karlsson A61F 11/14
 D29/112
 D735,419 S * 7/2015 Rose D29/112

(Continued)

Primary Examiner — Elizabeth J Oswecki
 (74) *Attorney, Agent, or Firm* — Katherine M. Scholz;
 Dena M. Ehrich

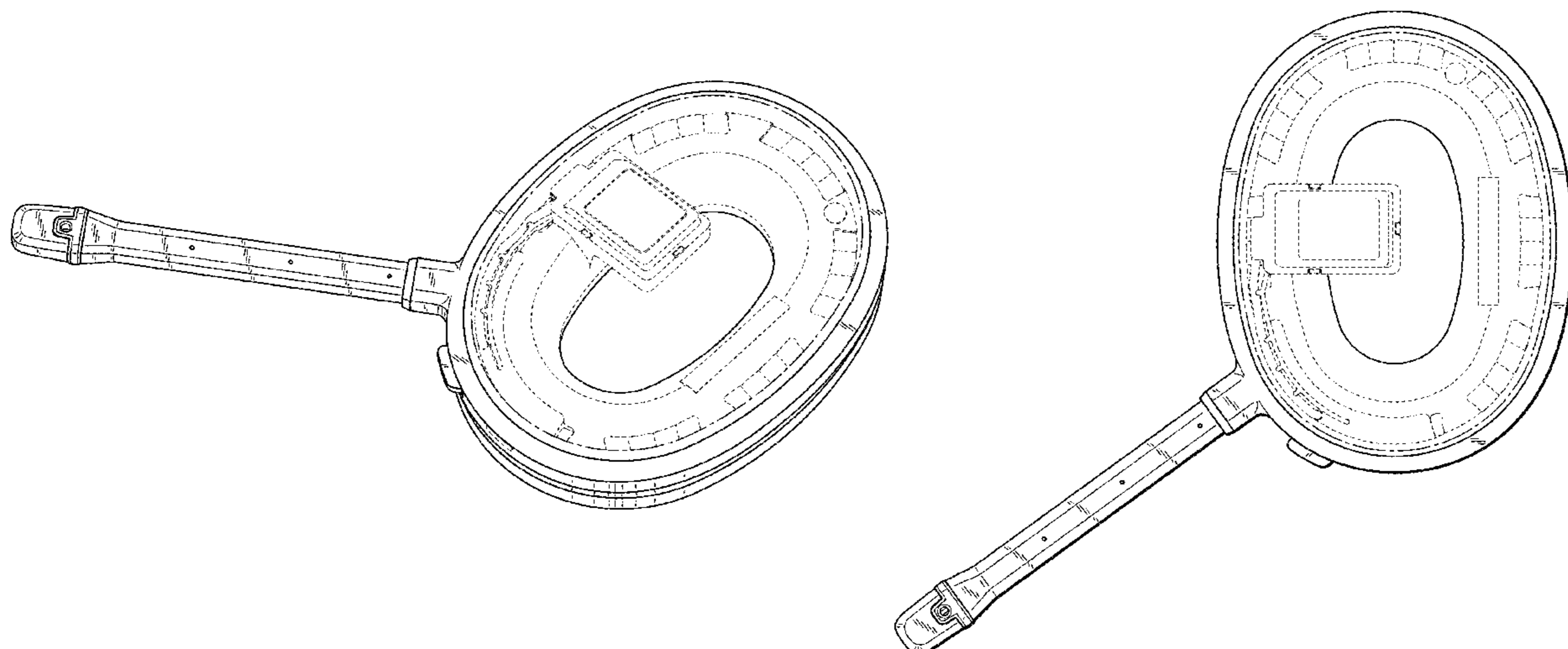
(57) **CLAIM**

The ornamental design for a hearing protector, as shown and described.

DESCRIPTION

FIG. 1 is a perspective view of a hearing protector showing my new design;
 FIG. 2 is a front view thereof;
 FIG. 3 is a rear view thereof;
 FIG. 4 is a top view thereof;
 FIG. 5 is a bottom view thereof;
 FIG. 6 is a side view thereof; and,
 FIG. 7 is another side view thereof.

1 Claim, 5 Drawing Sheets



(56)

References Cited

U.S. PATENT DOCUMENTS

D747,557 S *	1/2016	Bonney	D29/112
D752,816 S *	3/2016	Fletcher	D29/112
D753,884 S *	4/2016	Bonney	D29/112
D764,717 S *	8/2016	Fletcher	D29/112
D766,520 S *	9/2016	Fletcher	D29/112
D789,615 S *	6/2017	Pratley	D29/112
D805,697 S *	12/2017	Pratley	D29/112
D807,584 S *	1/2018	Fletcher	D29/112
D821,653 S *	6/2018	Pratley	D29/112
D834,260 S *	11/2018	Garcia Mansilla	D29/112
D848,396 S *	5/2019	Wilson	D14/205
D848,679 S *	5/2019	Wilson	D29/112
D851,839 S *	6/2019	Scanlon	D29/112

* cited by examiner

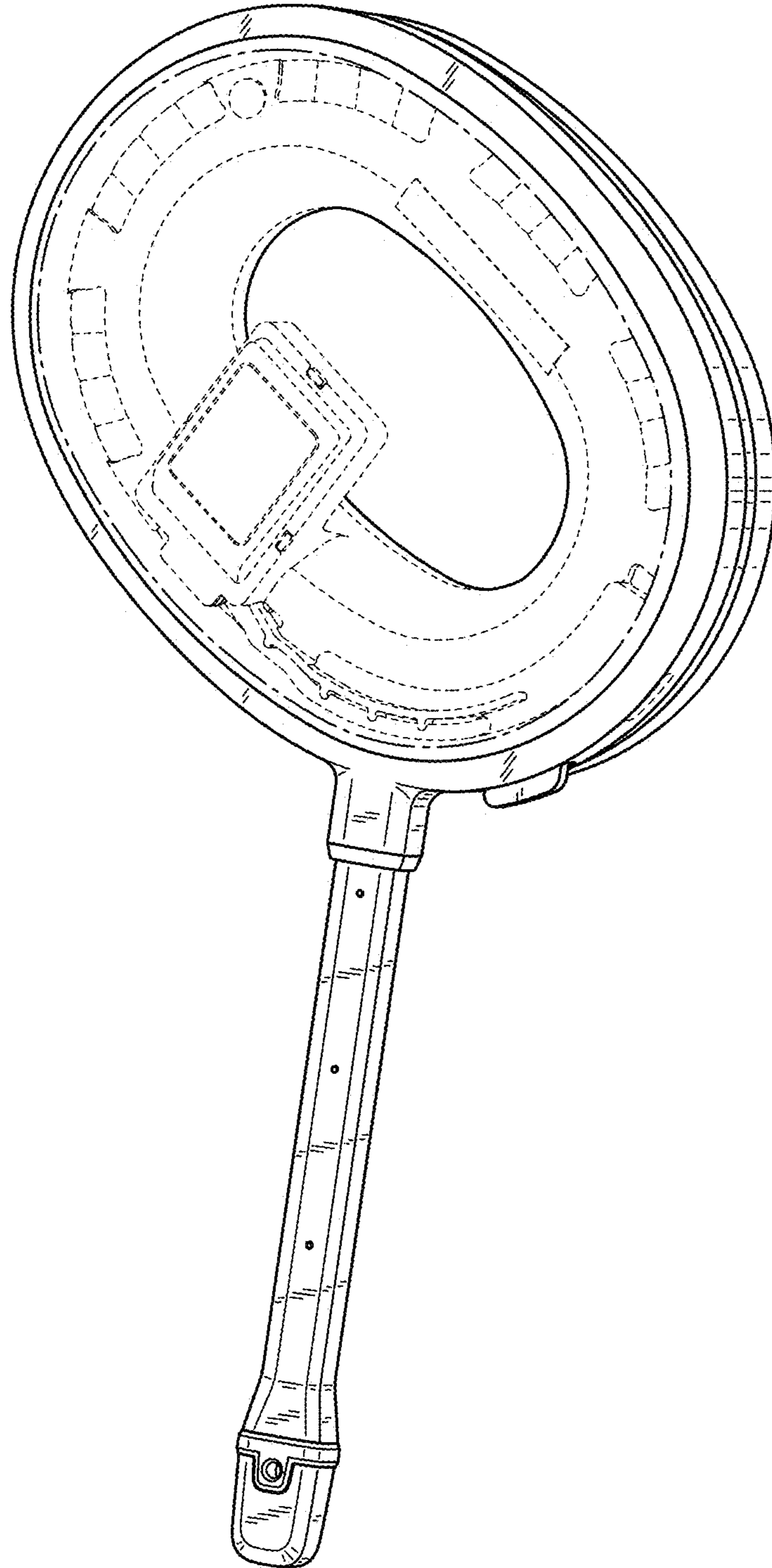


FIG. 1

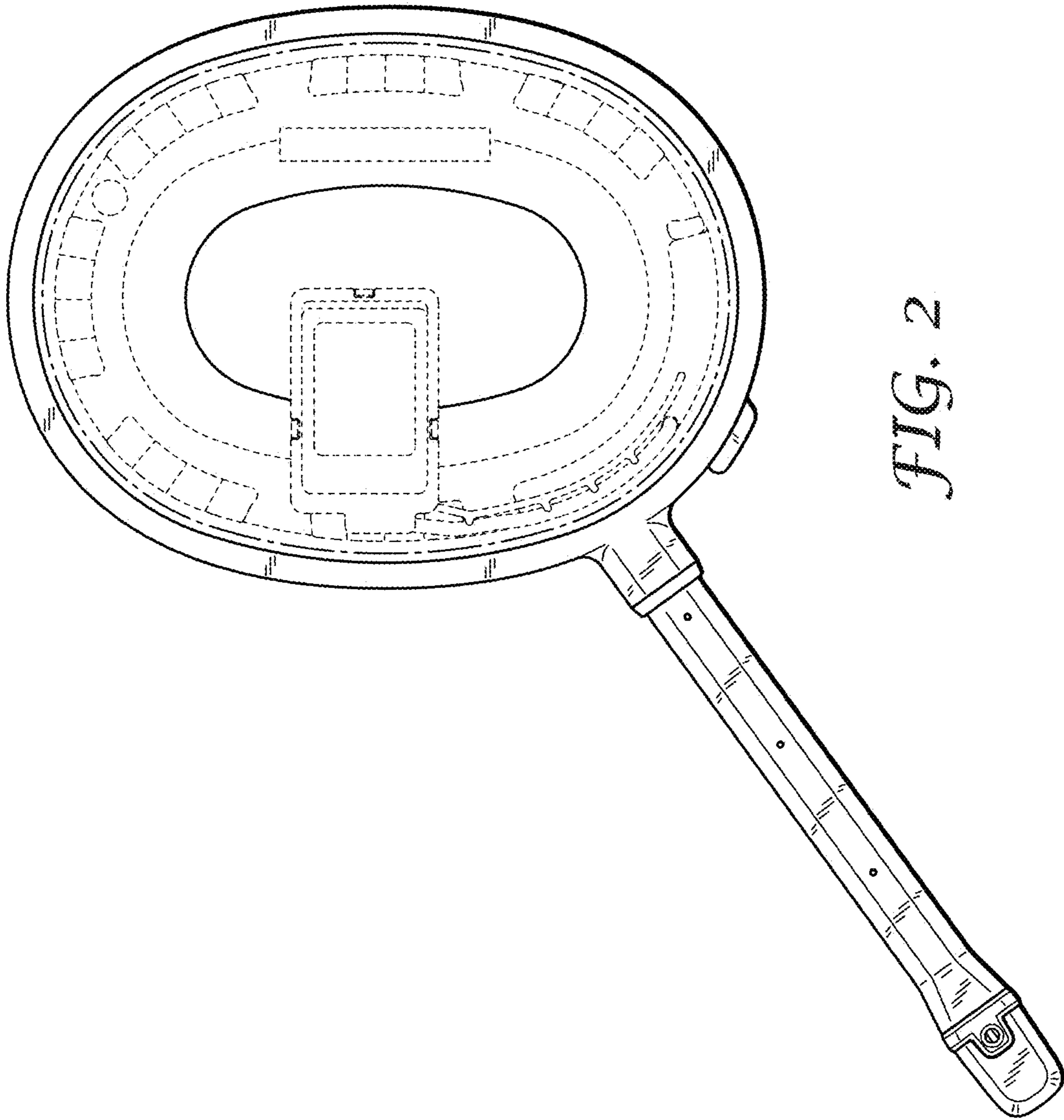


FIG. 2

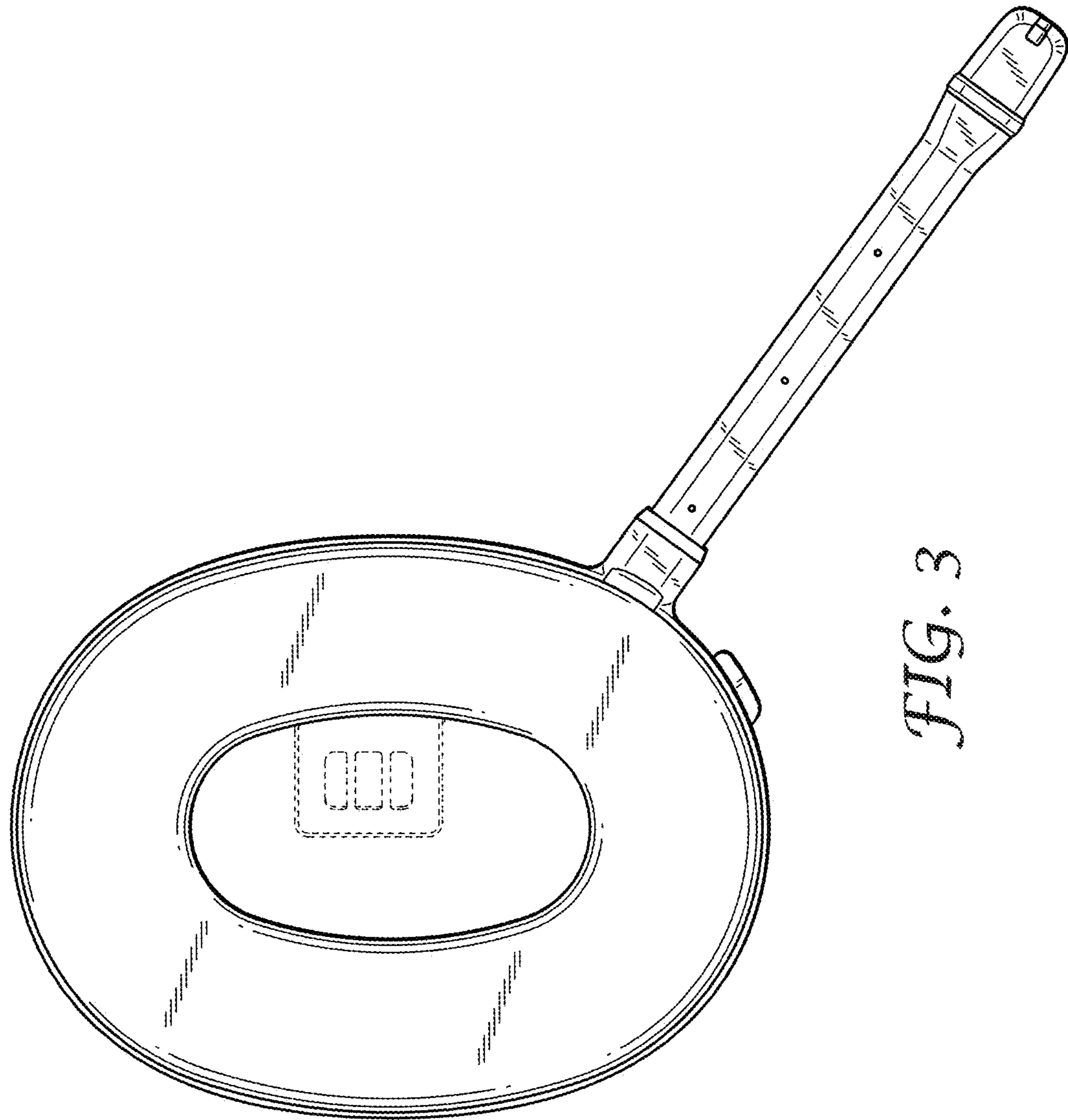


FIG. 3

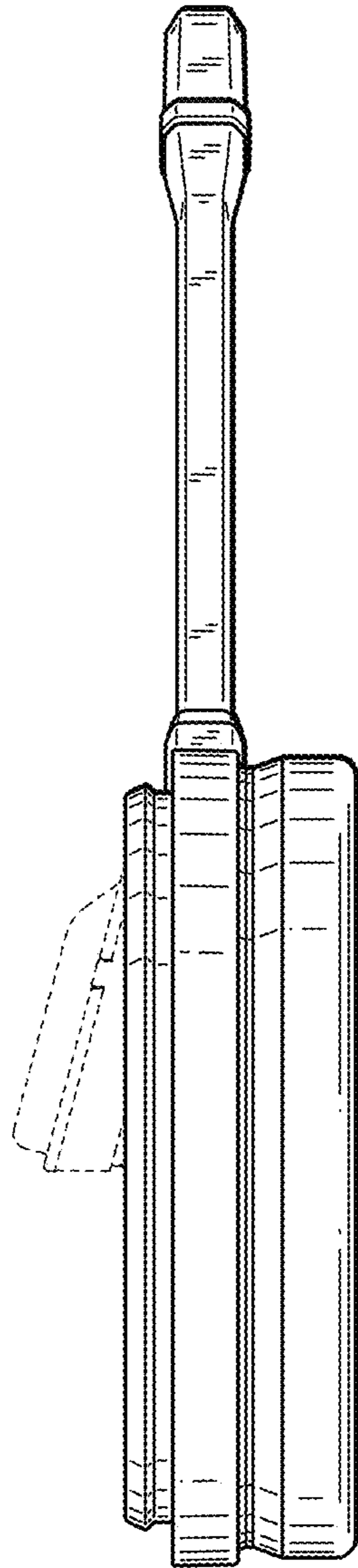


FIG. 4

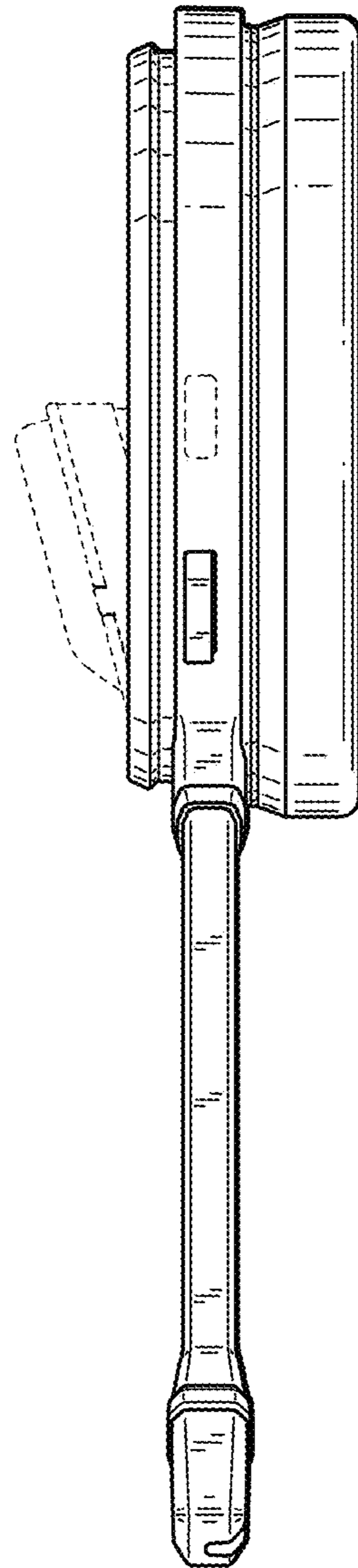


FIG. 5

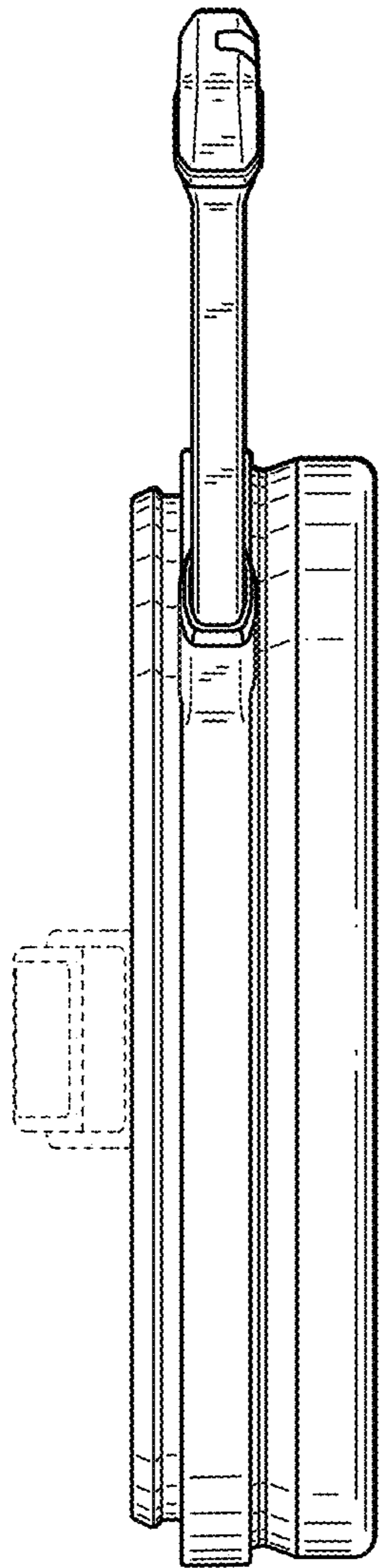


FIG. 6

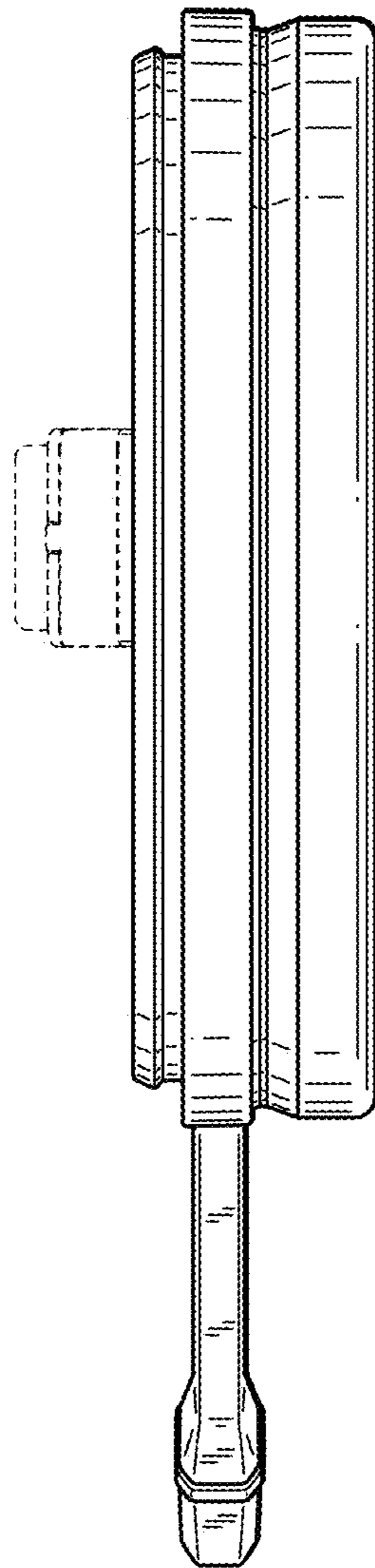


FIG. 7