



US00D874735S

(12) **United States Design Patent**  
**Ward et al.**

(10) **Patent No.:** **US D874,735 S**  
(45) **Date of Patent:** **\*\* Feb. 4, 2020**

- (54) **FACE MASK**
- (71) Applicant: **Medline Industries, Inc.**, Northfield, IL (US)
- (72) Inventors: **Allison Ward**, Chicago, IL (US);  
**Hannah Zundel**, Chicago, IL (US);  
**Alan Genender**, Northbrook, IL (US);  
**Kimberly M. Haines**, Ligonier, PA (US)
- (73) Assignee: **Medline Industries, Inc.**, Northfield, IL (US)
- (\*\*) Term: **15 Years**
- (21) Appl. No.: **29/673,527**
- (22) Filed: **Dec. 14, 2018**

**Related U.S. Application Data**

- (62) Division of application No. 29/593,219, filed on Feb. 7, 2017.
- (51) **LOC (12) Cl.** ..... **29-02**
- (52) **U.S. Cl.**  
USPC ..... **D29/108**
- (58) **Field of Classification Search**  
USPC ..... D29/100, 102, 105, 106, 107, 108, 110,  
D29/122; D2/878, 880, 881; D24/110.1  
CPC .... A42B 5/00; A42B 3/18; A42B 3/20; A42B  
1/046; A63B 71/08; A63B 71/10; A63B  
71/105; A61F 9/04; A61F 9/06; A61F  
9/029; A41D 13/1161; A41D 13/1169;  
A41D 13/1176; A41G 7/00; A41G 7/02  
See application file for complete search history.

(56) **References Cited**

**U.S. PATENT DOCUMENTS**

- 1,297,842 A \* 3/1919 Harlee ..... A61F 9/04  
119/832
- D113,429 S \* 2/1939 Mehl ..... D29/108

- 2,252,423 A \* 8/1941 Baddour ..... A61F 7/007  
219/527
  - 3,802,429 A 4/1974 Bird
  - D293,829 S \* 1/1988 Johnston ..... D28/9
  - 4,966,140 A 10/1990 Herzberg
  - D347,090 S \* 5/1994 Brunson ..... D29/108
  - 5,694,928 A 12/1997 Holtman
  - 5,699,791 A 12/1997 Sukiennik
  - 5,699,792 A 12/1997 Reese
  - D420,769 S \* 2/2000 White ..... D24/110.1
- (Continued)

*Primary Examiner* — Elizabeth J Oswecki

(74) *Attorney, Agent, or Firm* — Fitch, Even, Tabin & Flannery LLP

(57) **CLAIM**

The ornamental design for a face mask, as shown and described.

**DESCRIPTION**

FIG. 1 is a perspective view of a face mask shown in a used condition with a human figure in broken lines, showing our new design;

FIG. 2 is a top plan view thereof;

FIG. 3 is a front elevation view thereof;

FIG. 4 is a left side elevation view thereof;

FIG. 5 is a right side elevation view thereof;

FIG. 6 is a bottom plan view thereof;

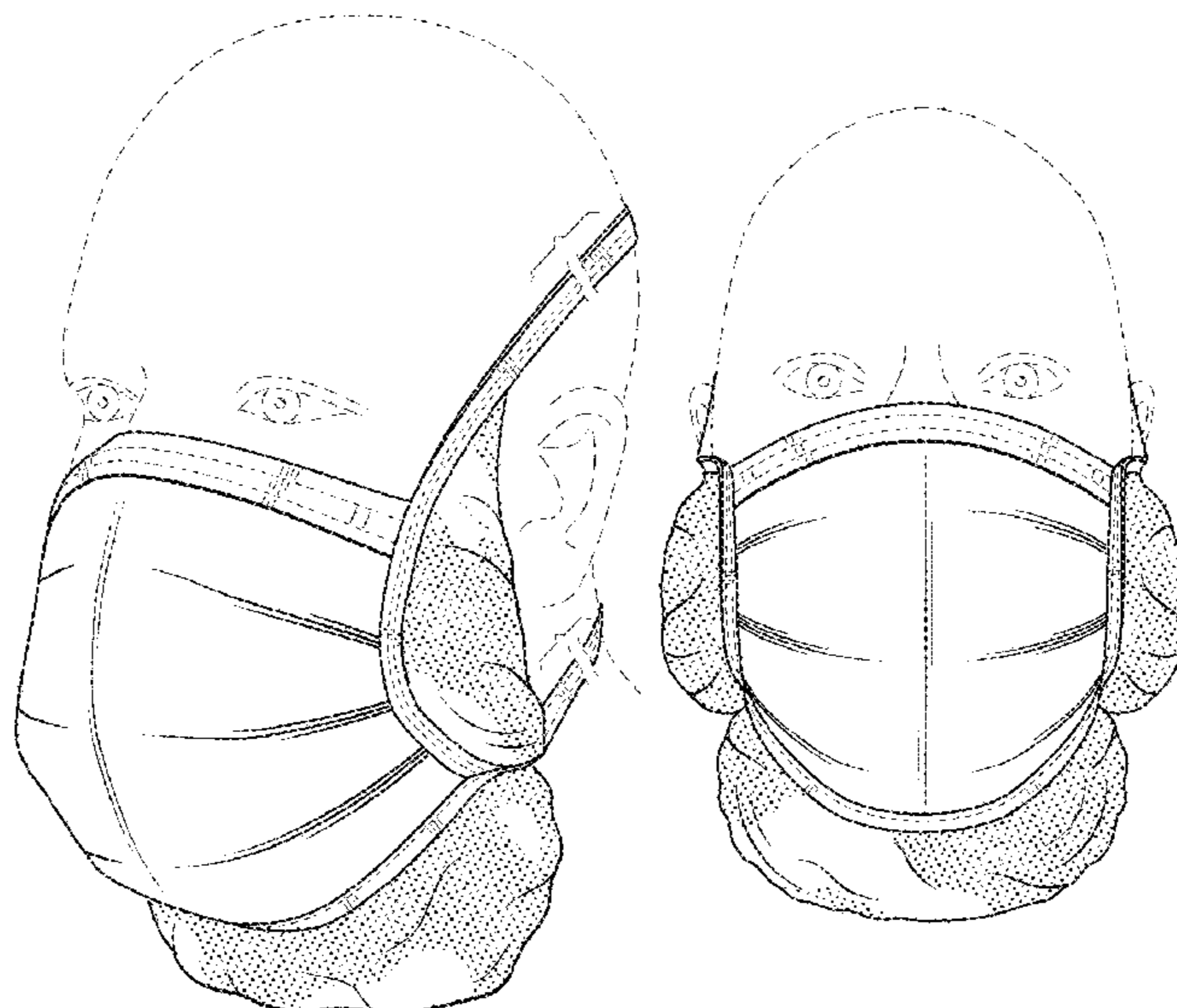
FIG. 7 is a front perspective view thereof, shown in an unused condition; and,

FIG. 8 is a rear perspective view thereof.

The broken lines depict unclaimed environmental subject matter and form no part of the claim. The stippled areas represent a contrast in material relative to the non-stippled areas.

The straps of the face mask are shown with break lines to indicate indeterminate length. The appearance of any portion of the article between the break lines forms no part of the claimed design.

**1 Claim, 5 Drawing Sheets**



(56)

References Cited

U.S. PATENT DOCUMENTS

D429,385 S *	8/2000	Lee	.....	D29/108	8,622,059 B2	1/2014	Kleman	
D430,361 S *	8/2000	Smith	.....	D29/108	D726,970 S *	4/2015	Martin	..... D29/108
D434,879 S *	12/2000	Cole	.....	D29/108	D751,211 S *	3/2016	Moreland	..... D24/189
6,644,314 B1	11/2003	Elsberg			D751,768 S *	3/2016	Kim	..... D29/108
7,086,401 B2	8/2006	Chiam			D777,988 S *	1/2017	Miros	..... D29/108
7,845,351 B2	12/2010	Mathis			D788,373 S *	5/2017	Bunge	..... D29/108
D636,128 S *	4/2011	Hancock	.....	D29/108	D803,482 S *	11/2017	Greenblat	..... D29/108
D636,537 S *	4/2011	Ladua	.....	D29/108	2004/0173216 A1 *	9/2004	Park	..... A41D 13/1161 128/206.12
D638,171 S *	5/2011	Goranov	.....	D29/108	2005/0155136 A1 *	7/2005	Colletti	..... A42B 1/046 2/206
D640,011 S *	6/2011	Teng	.....	D29/108	2006/0085881 A1 *	4/2006	Gellis	..... A41D 13/11 2/9
D658,334 S *	4/2012	Goranov	.....	D29/108	2008/0295843 A1 *	12/2008	Haas	..... A41D 13/1192 128/205.27
D666,364 S *	8/2012	Votel	.....	D29/108	2009/0178176 A1 *	7/2009	Rowe	..... A42B 1/048 2/172
D670,037 S *	10/2012	Chen	.....	D29/108	2009/0320849 A1 *	12/2009	Biedermann	..... A41D 13/1192 128/206.28
D670,038 S *	10/2012	Andrews	.....	D29/108				
D671,688 S *	11/2012	Sullivan, II	.....	A41D 13/1146 D29/108				
D681,881 S *	5/2013	Pong	.....	D29/108				

\* cited by examiner

FIG. 1

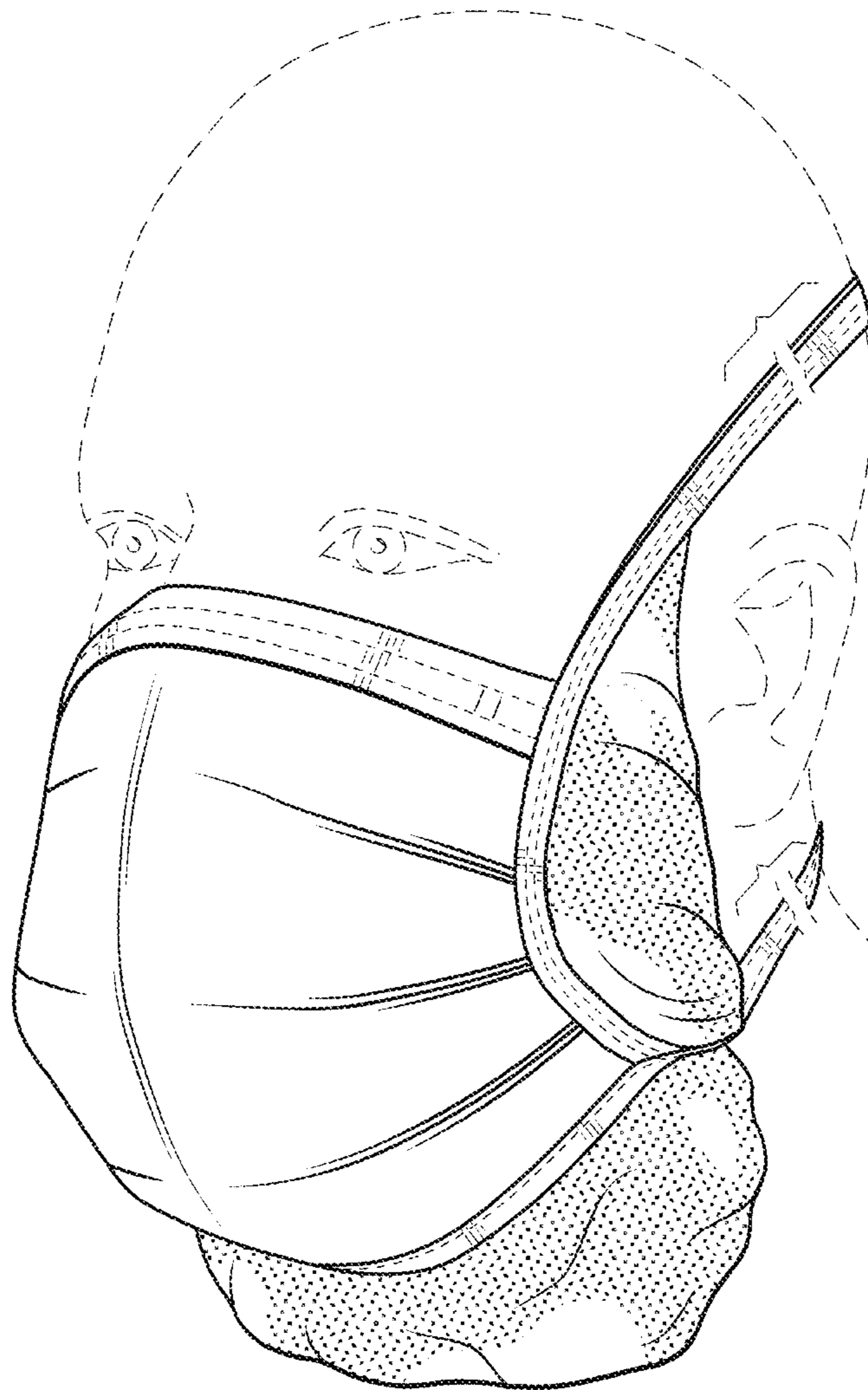


FIG. 2

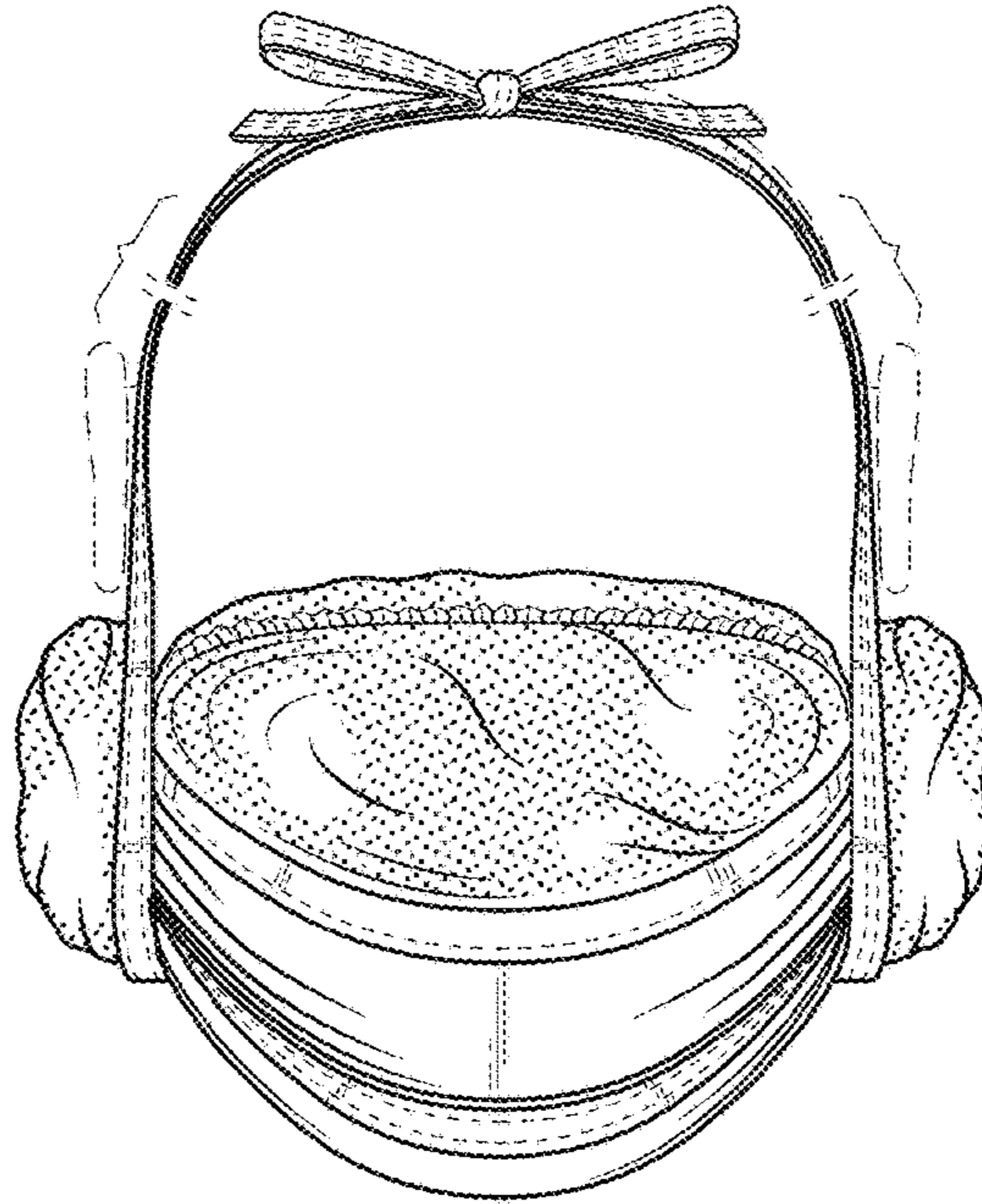


FIG. 3

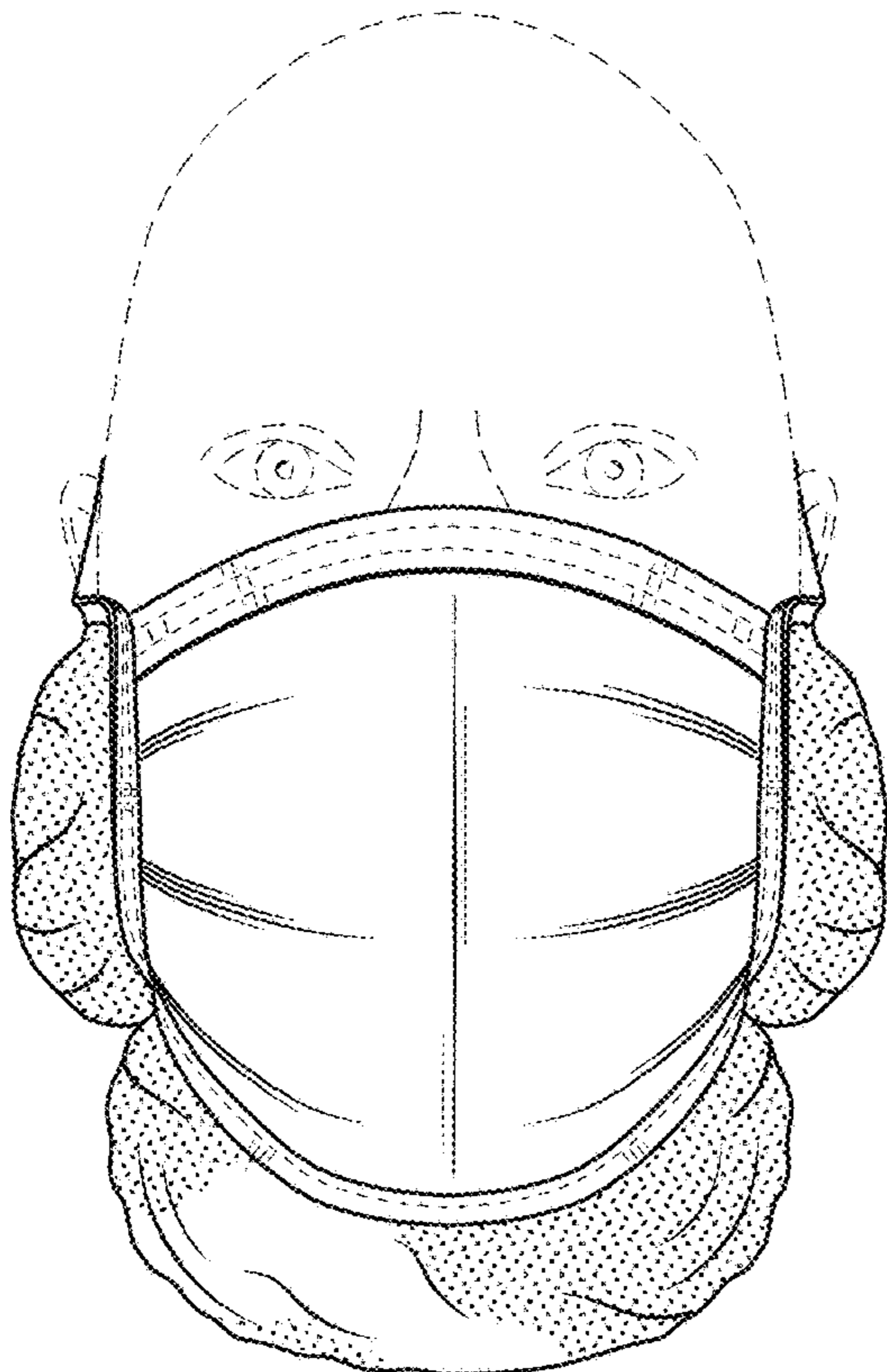
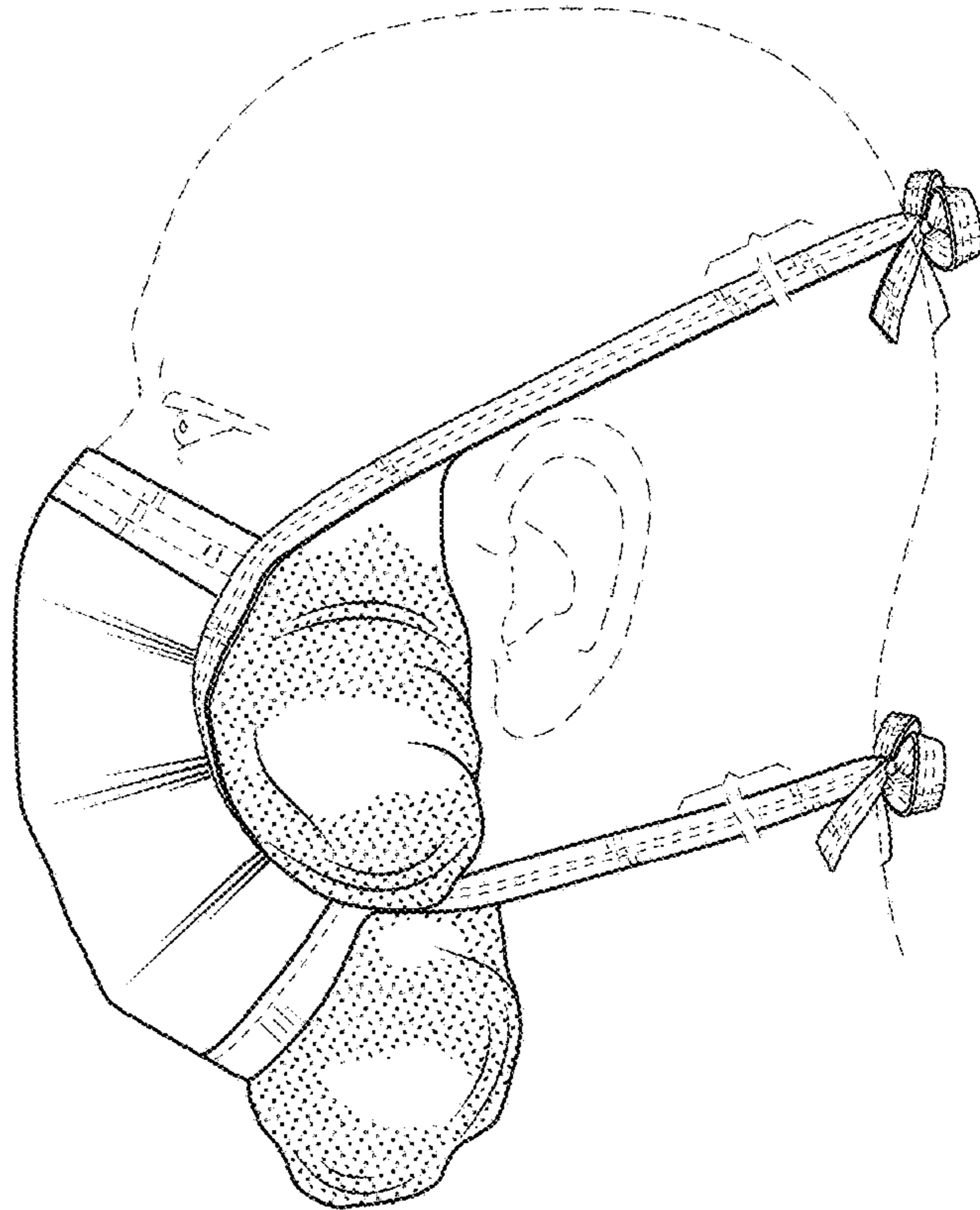
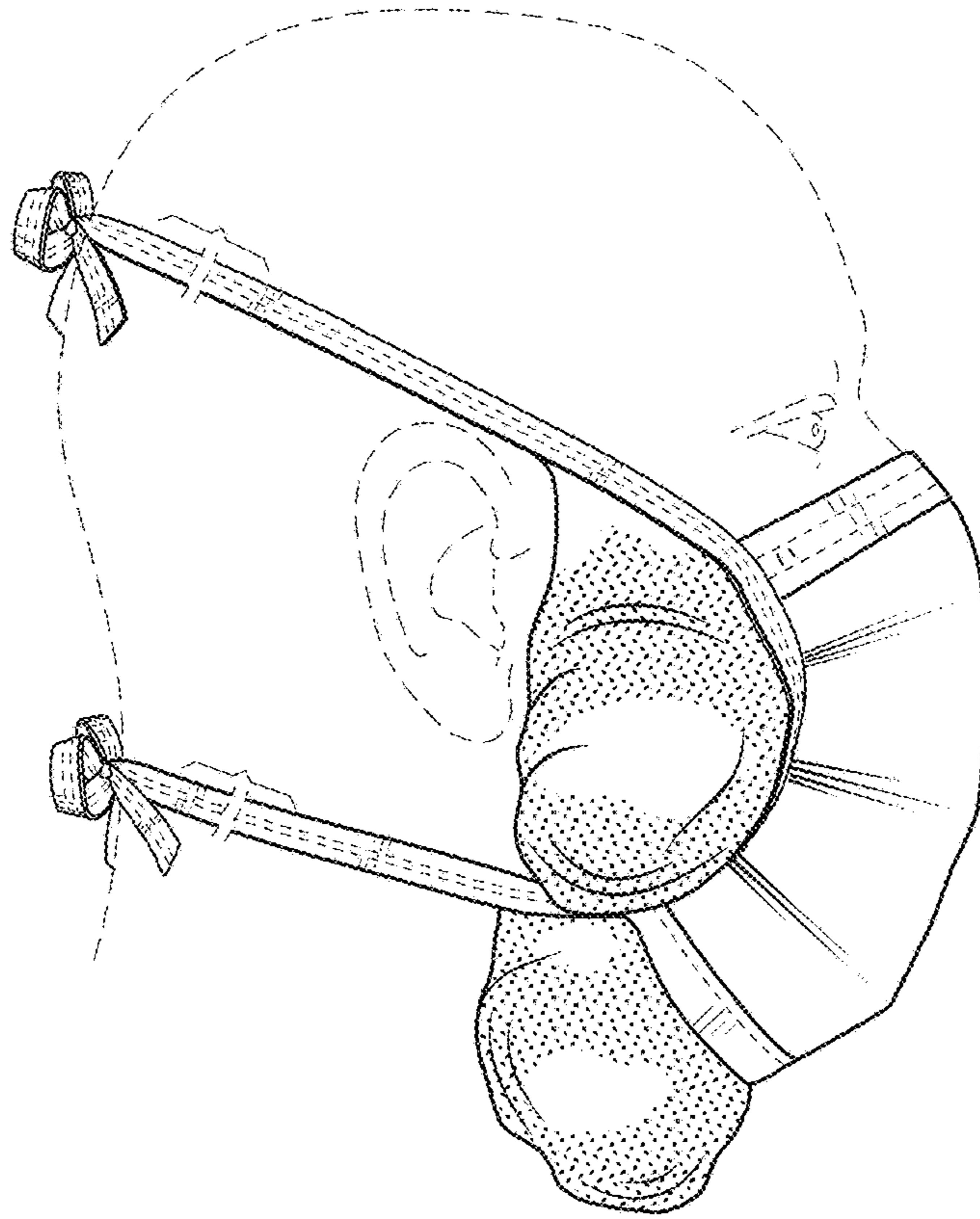


FIG. 4



**FIG. 5**



**FIG. 6**

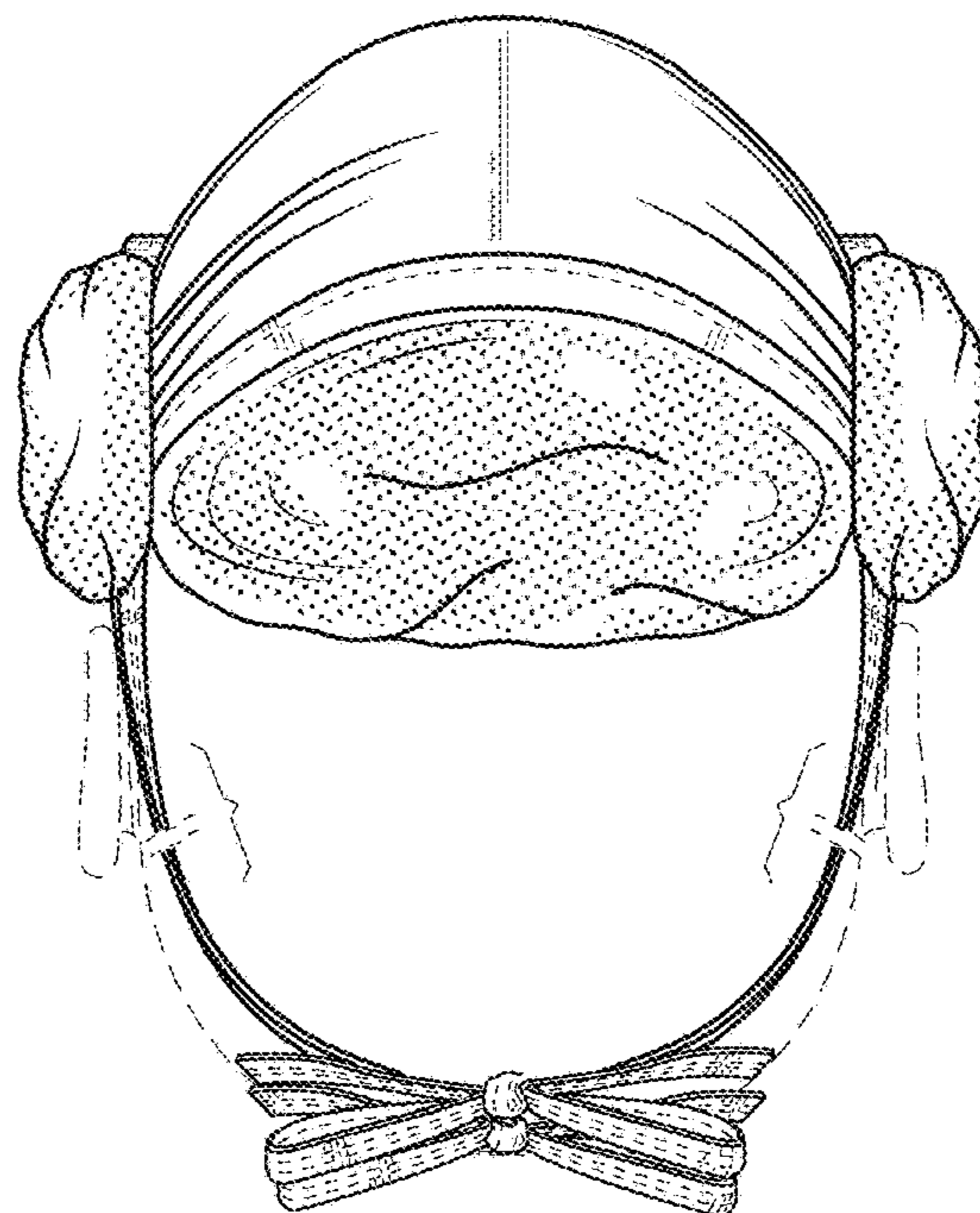


FIG. 7

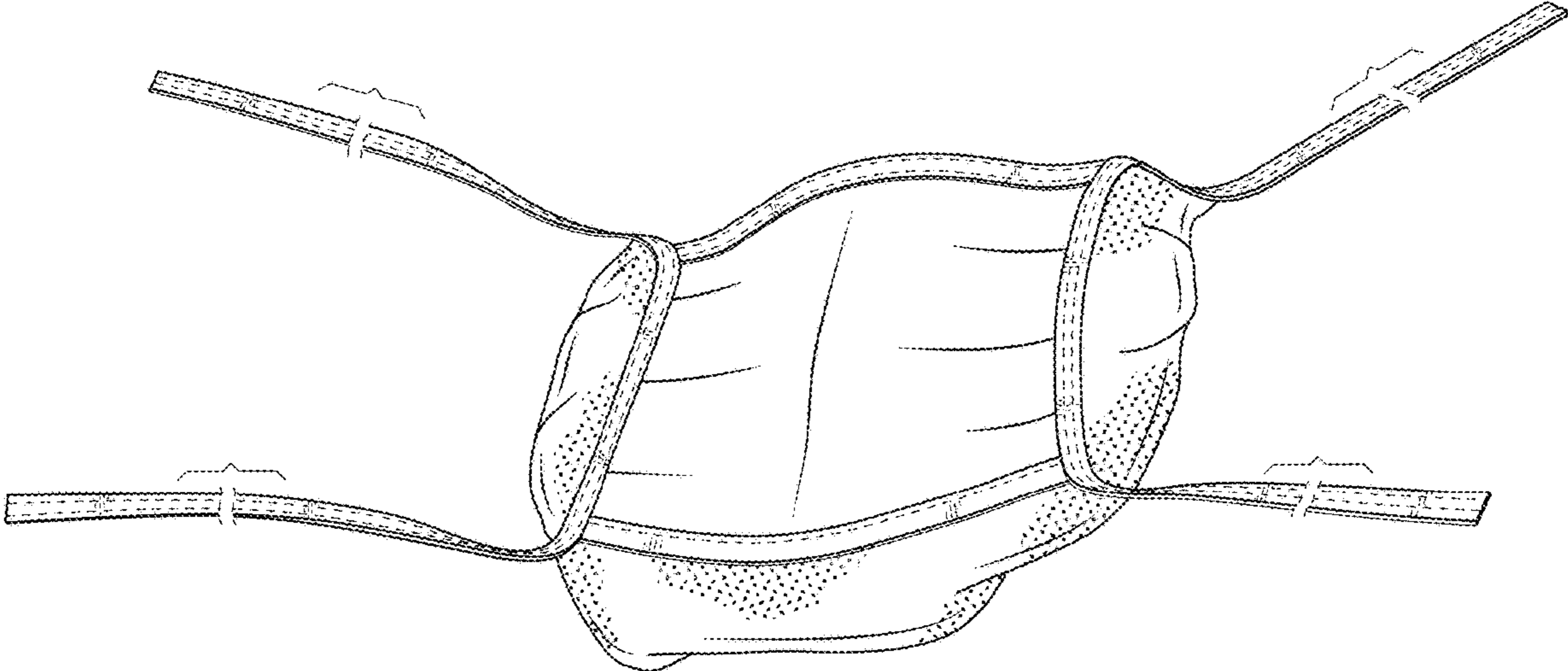


FIG. 8

