



US00D874732S

(12) **United States Design Patent** (10) **Patent No.:** **US D874,732 S**
Smart (45) **Date of Patent:** **** Feb. 4, 2020**

(54) **HOISTABLE HARNESS**

(57) **CLAIM**

(71) Applicant: **TSG ASSOCIATES, LLP**, Halifax (GB)

I claim the ornamental design for a hoistable harness, as shown and described.

(72) Inventor: **Colin John Smart**, Halifax (GB)

(73) Assignee: **TSG ASSOCIATES, LLP**, Halifax (GB)

DESCRIPTION

(**) Term: **15 Years**

(21) Appl. No.: **29/647,537**

(22) Filed: **May 14, 2018**

(30) **Foreign Application Priority Data**

May 1, 2018 (GB) 1807162.1

(51) **LOC (12) Cl.** **29-02**

(52) **U.S. Cl.**
USPC **D29/101.4; D12/128**

(58) **Field of Classification Search**
USPC D29/100, 101.4, 124; D12/128-133;
5/625-629, 636, 484, 499, 691, 891 T;
(Continued)

FIG. 1 is a perspective view of a hoistable harness embodiment showing our new design when in use;
FIG. 2 is a side view of the hoistable harness embodiment when in use;
FIG. 3 is an opposite side view of the hoistable harness embodiment when in use;
FIG. 4 is a top view of the hoistable harness embodiment when in use;
FIG. 5 is an end view of the hoistable harness embodiment when in use;
FIG. 6 is an opposite end view of the hoistable harness embodiment when in use;
FIG. 7 is a perspective view of the hoistable harness embodiment of FIG. 1 in a folded, configuration;
FIG. 8 is a top view of a hoistable harness embodiment of FIG. 1 in a folded, configuration;
FIG. 9 is a bottom view of the hoistable harness embodiment of FIG. 1 in a folded, configuration;
FIG. 10 is a top view of the hoistable harness embodiment of FIG. 1 in an open, laid-flat configuration; and,
FIG. 11 is a bottom view of the hoistable harness embodiment of FIG. 1 in an open, laid-flat configuration.
Broken lines or dotted sections in any of the foregoing Figures are for illustrative purposes only and form no part of the claimed design.

(56) **References Cited**

U.S. PATENT DOCUMENTS

7,240,621 B2 7/2007 Chepurny et al.
7,634,825 B2 12/2009 Chepurny et al.
(Continued)

OTHER PUBLICATIONS

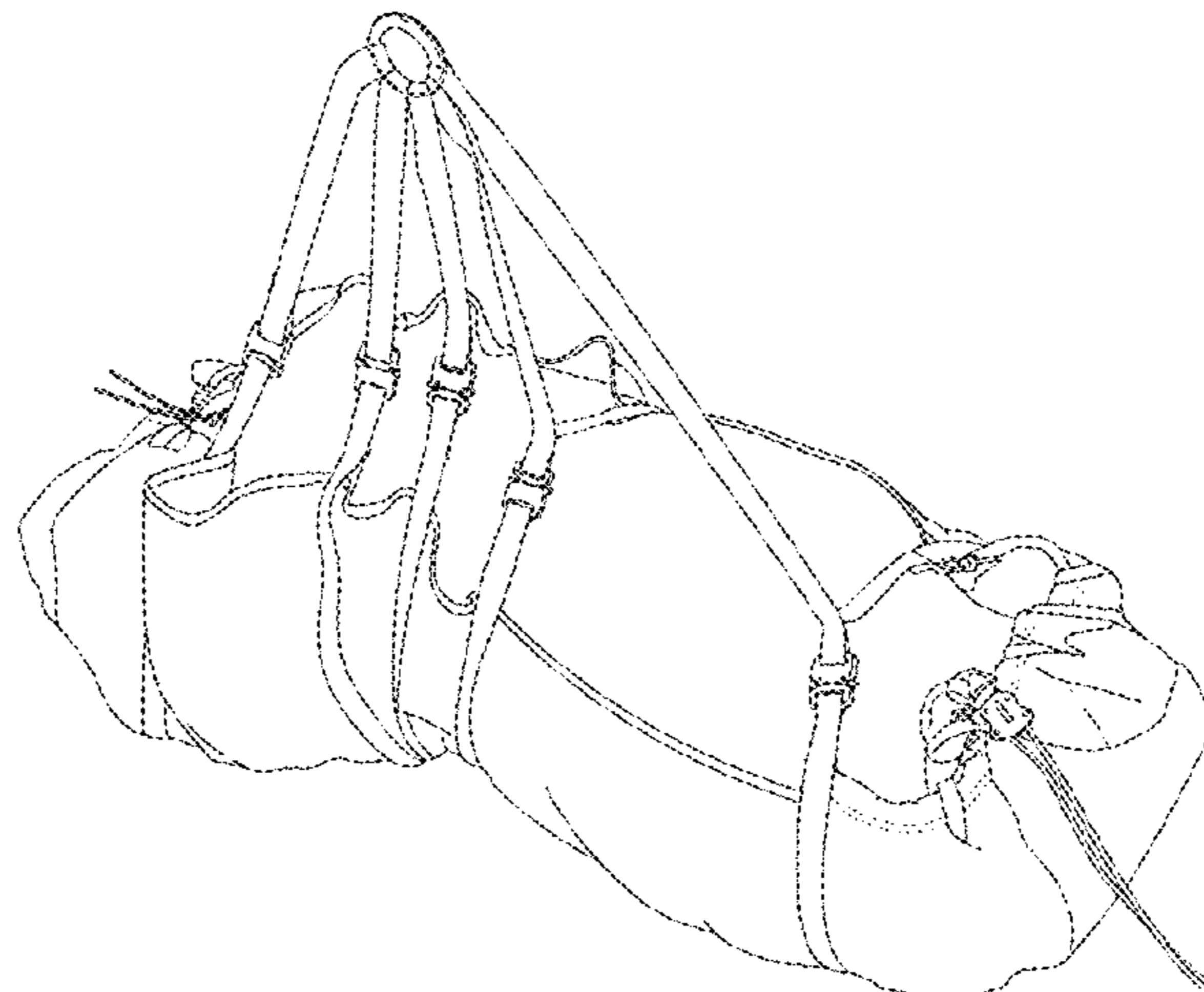
Colin John Smart; Design U.S. Appl. No. 29/636,264, filed Feb. 7, 2018.

(Continued)

Primary Examiner — Randall H Gholson
(74) *Attorney, Agent, or Firm* — Christopher J. Knors;
Moore & Van Allen PLLC

The hoistable harness shown in FIGS. 1-11 represent a single embodiment of the ornamental design of the article. The hoistable harness shown in FIGS. 1-5 depict the ornamental design aesthetics of the article when used for its intended purpose without any functionality implied or inferred. The hoistable harness shown in FIGS. 6-9 depict the ornamental design aesthetics of the folded article. e.g., before the article is used for its intended purpose, without any functionality implied or inferred. The hoistable harness shown in FIGS. 10-11 depict the ornamental design aesthet-

(Continued)



ics of the article laid open and flat. e.g., before the article is used for its intended purpose, without any functionality implied or inferred.

1 Claim, 11 Drawing Sheets

(58) **Field of Classification Search**

USPC 128/869, 870, 845; D24/190, 191;
296/65.03, 65.04; 280/15, 18, 19, 158;
441/80, 82, 88
CPC A61G 1/00; A61G 1/01; B63C 9/04
See application file for complete search history.

(56) **References Cited**

U.S. PATENT DOCUMENTS

D617,691 S 6/2010 Smart et al.
7,865,986 B2 1/2011 Smart
8,128,068 B2 3/2012 Chepurny et al.
8,641,340 B1 2/2014 Steinbock et al.
8,793,827 B1 8/2014 Smart et al.
D719,881 S 12/2014 Smart et al.

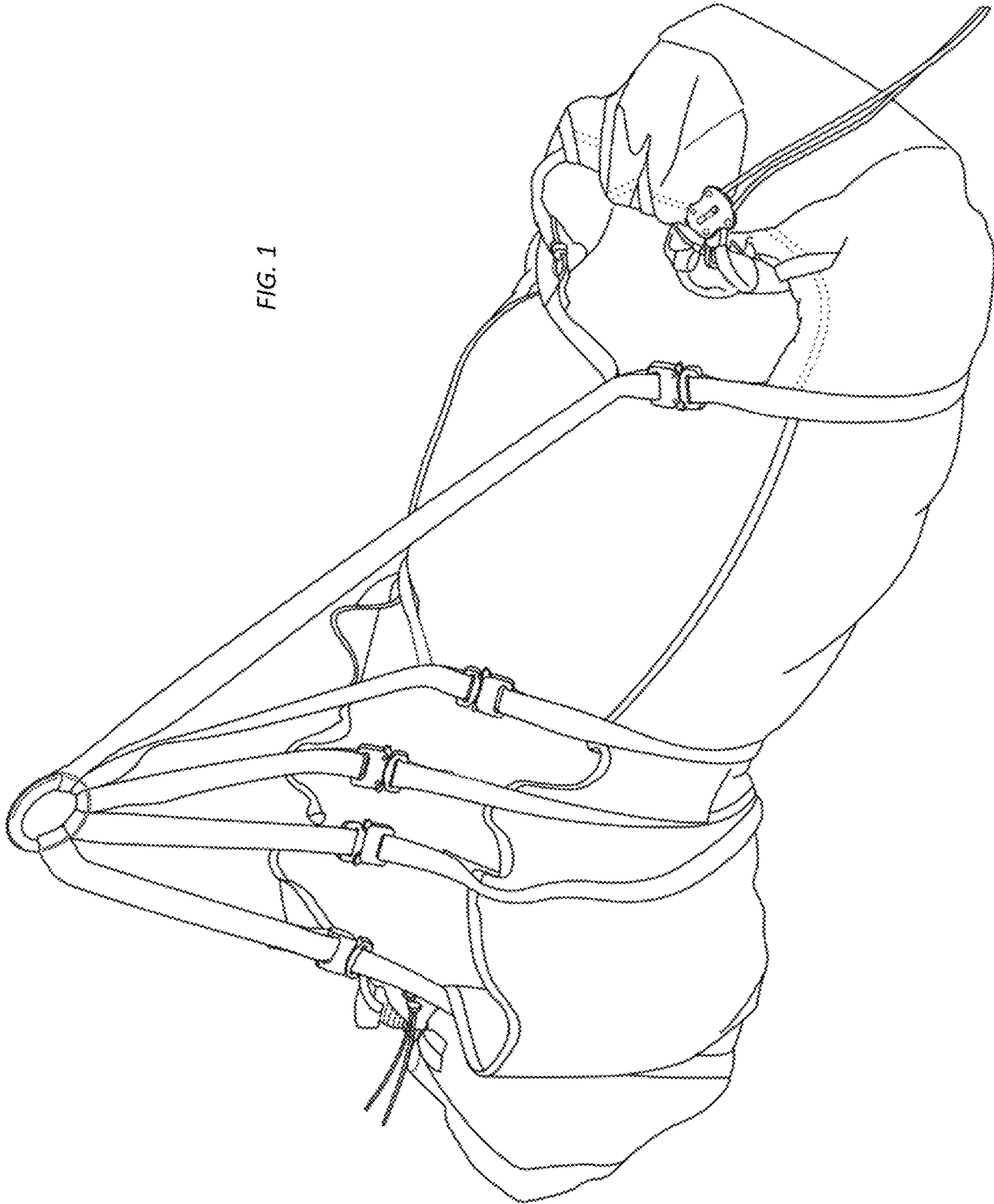
D732,438 S 6/2015 Smart et al.
9,198,812 B2 12/2015 Smart et al.
9,220,647 B1 12/2015 Steinbock et al.
D779,738 S * 2/2017 Chow D29/101.4
9,579,240 B2 2/2017 Krolick et al.
9,610,204 B1 4/2017 Steinbock et al.
9,861,538 B2 1/2018 Krolick et al.
9,867,744 B2 1/2018 Krolick et al.
9,867,745 B2 1/2018 Krolick et al.
D826,793 S 8/2018 Smart
10,085,901 B1 10/2018 Steinbock et al.
D835,008 S 12/2018 Smart
10,143,294 B1 12/2018 Matson et al.
2005/0115914 A1 6/2005 Chepurny et al.
2007/0215569 A1 9/2007 Chepurny et al.
2010/0051889 A1 3/2010 Chepurny et al.
2016/0367414 A1 12/2016 Krolick et al.
2017/0165135 A1 6/2017 Krolick et al.
2017/0165136 A1 6/2017 Krolick et al.
2017/0196740 A1 7/2017 Krolick et al.

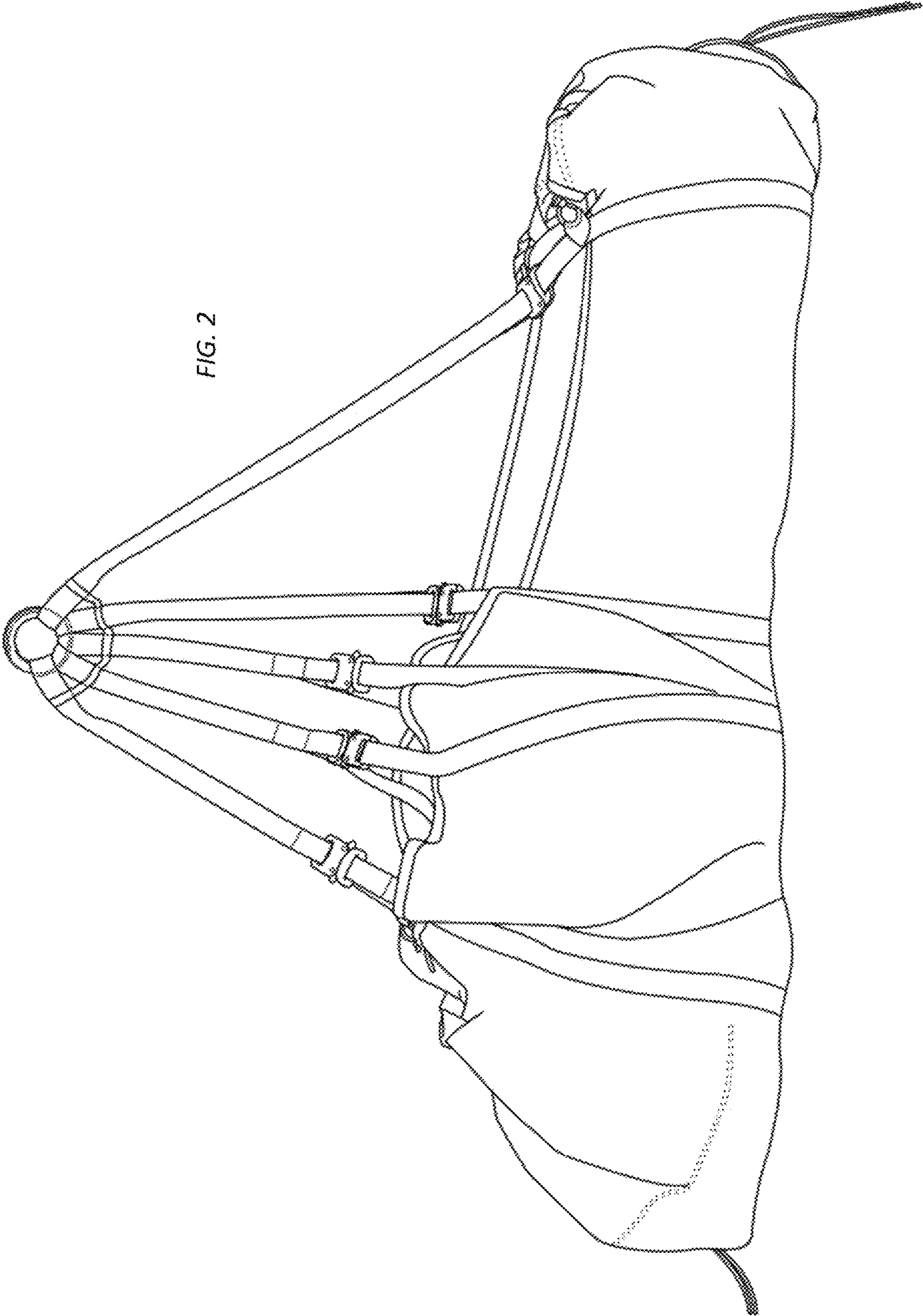
OTHER PUBLICATIONS

Colin John Smart; Design U.S. Appl. No. 29/648,180, filed May 18, 2018.

* cited by examiner

FIG. 1





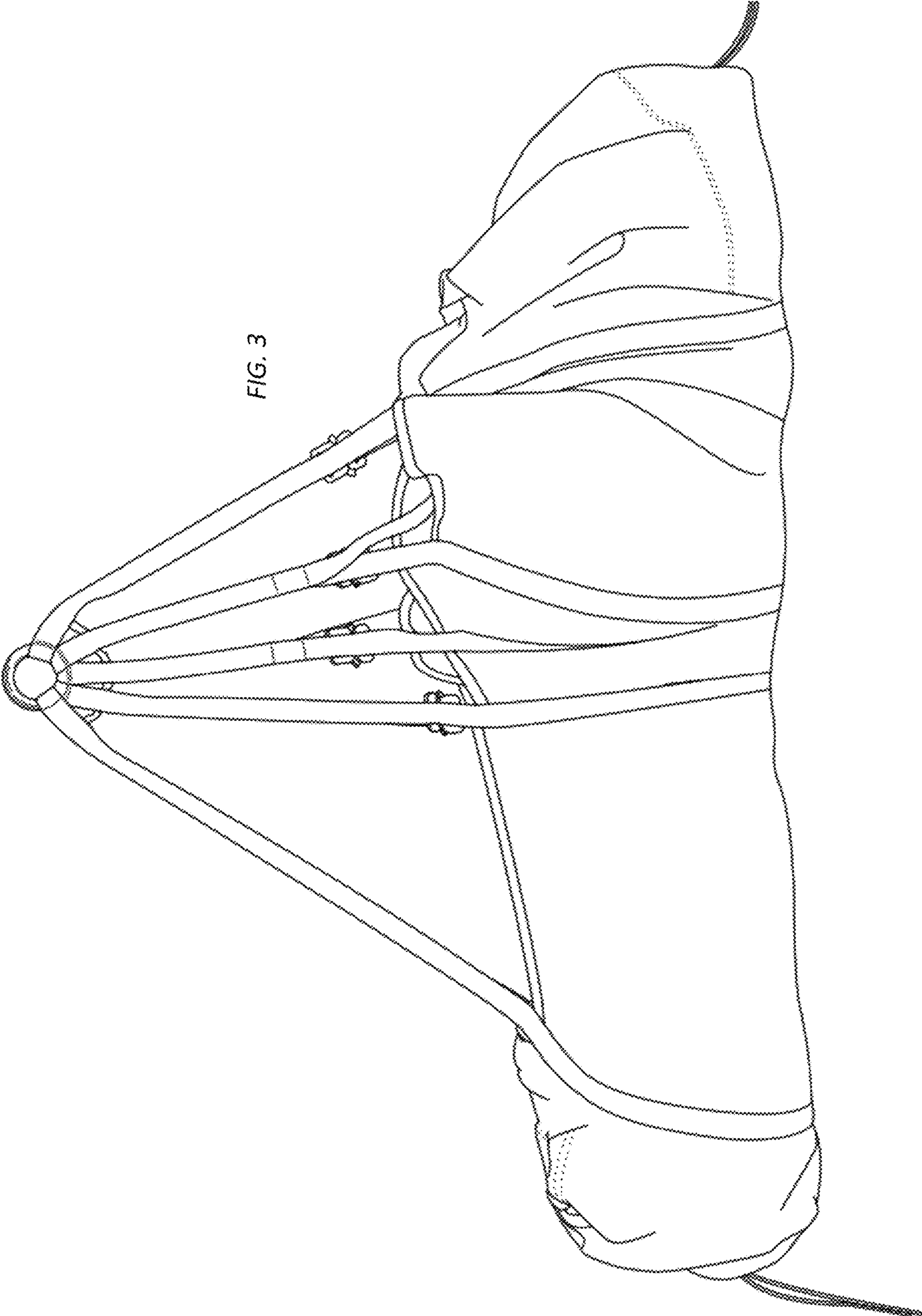


FIG. 3

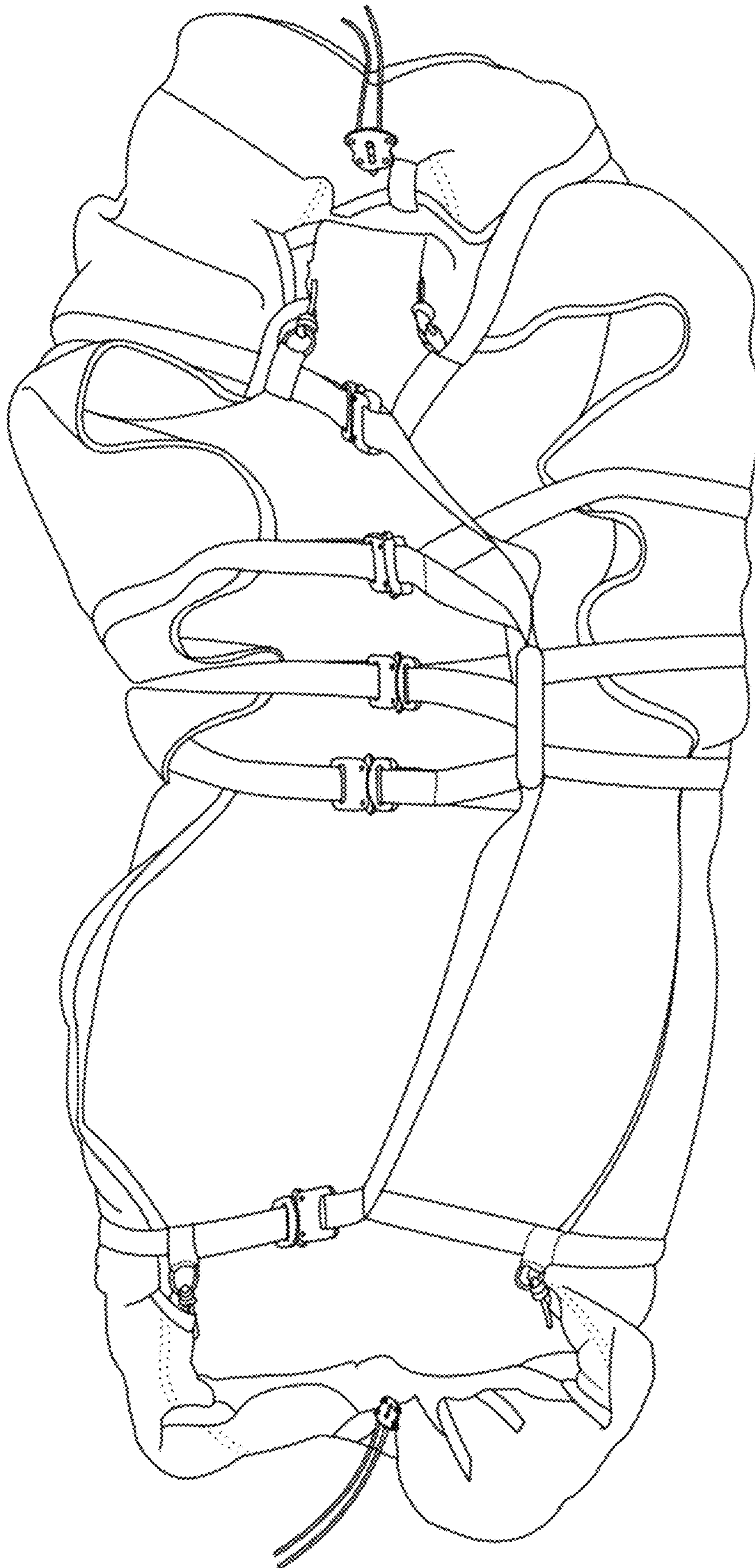
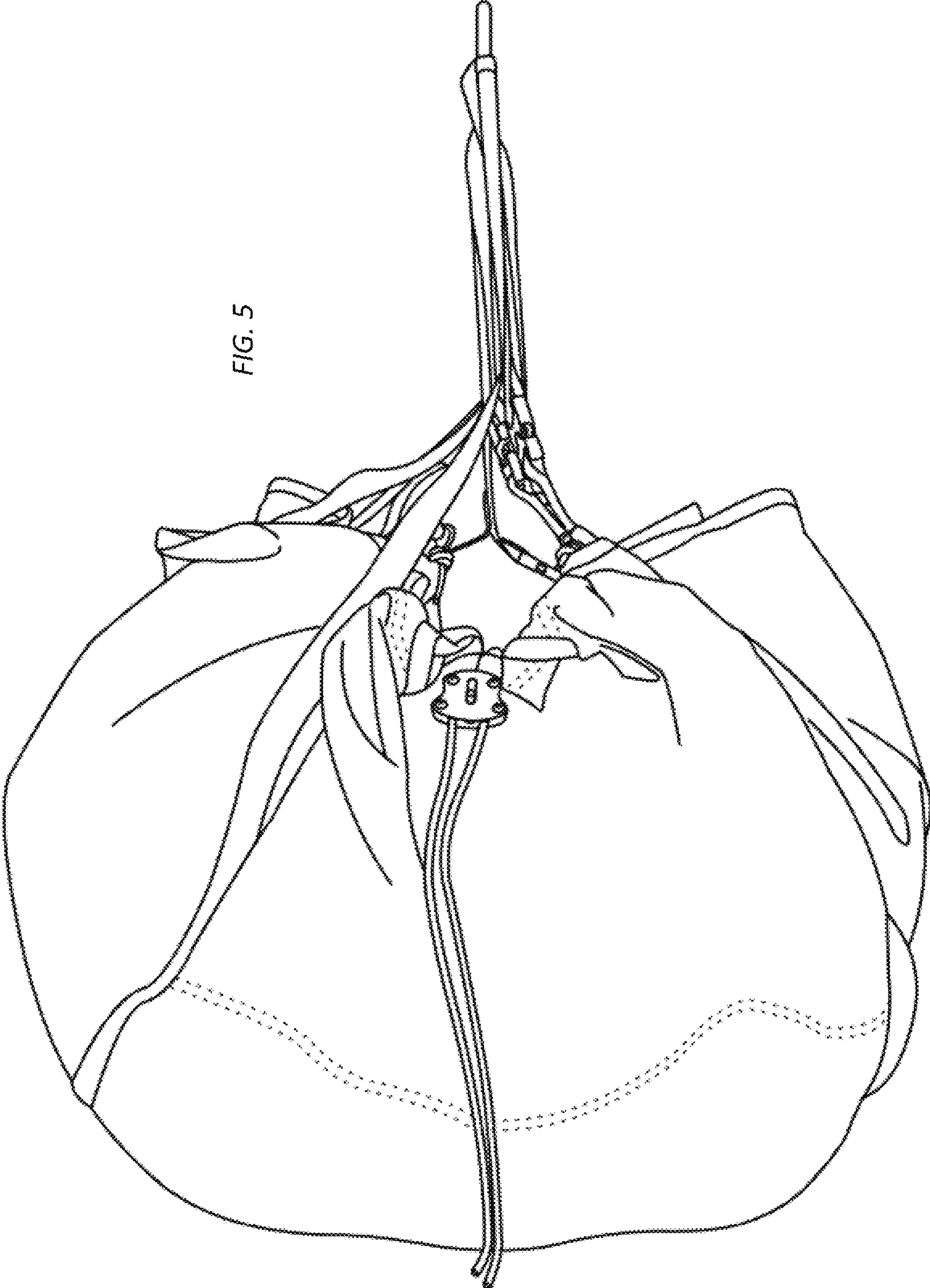


FIG. 4

FIG. 5



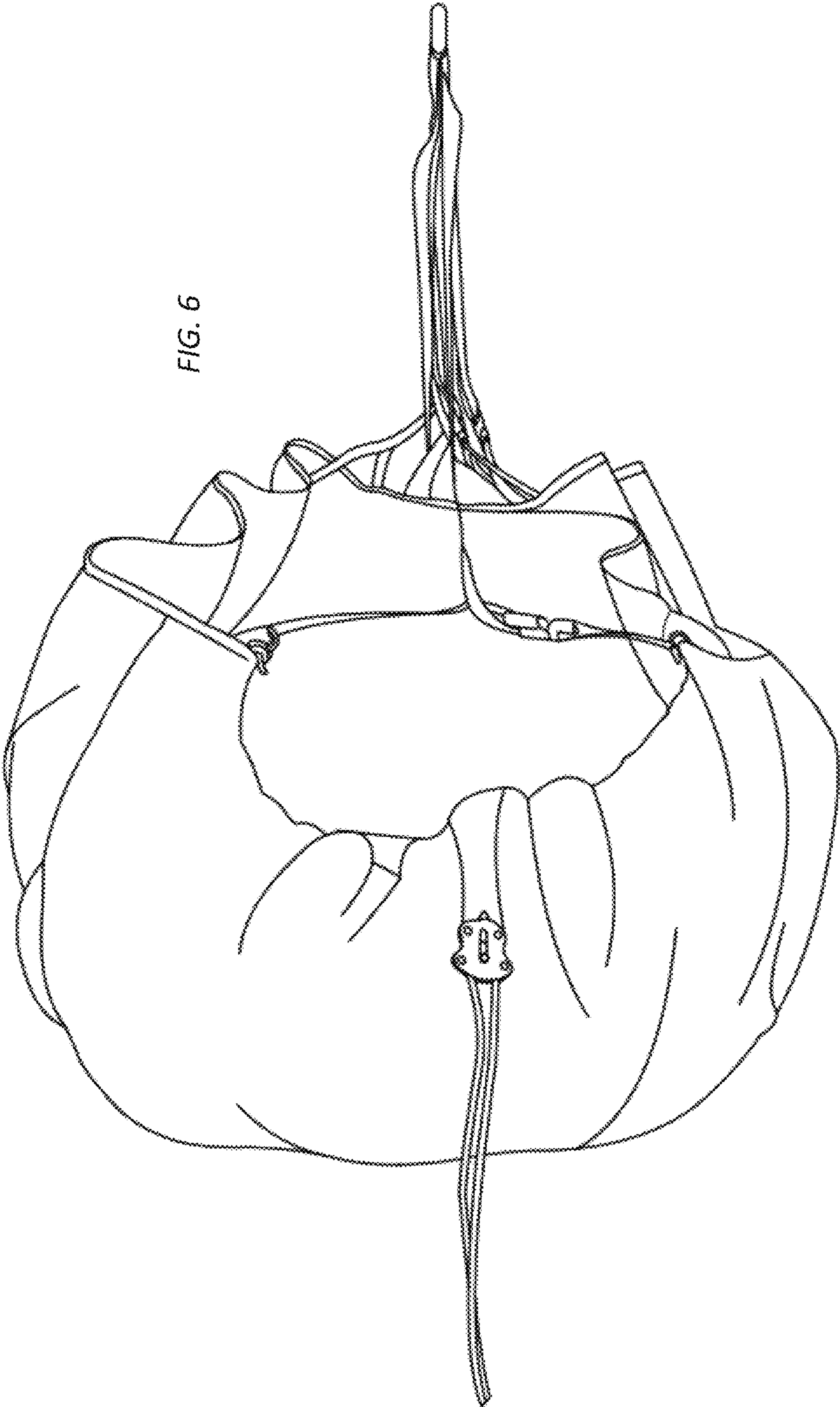


FIG. 6

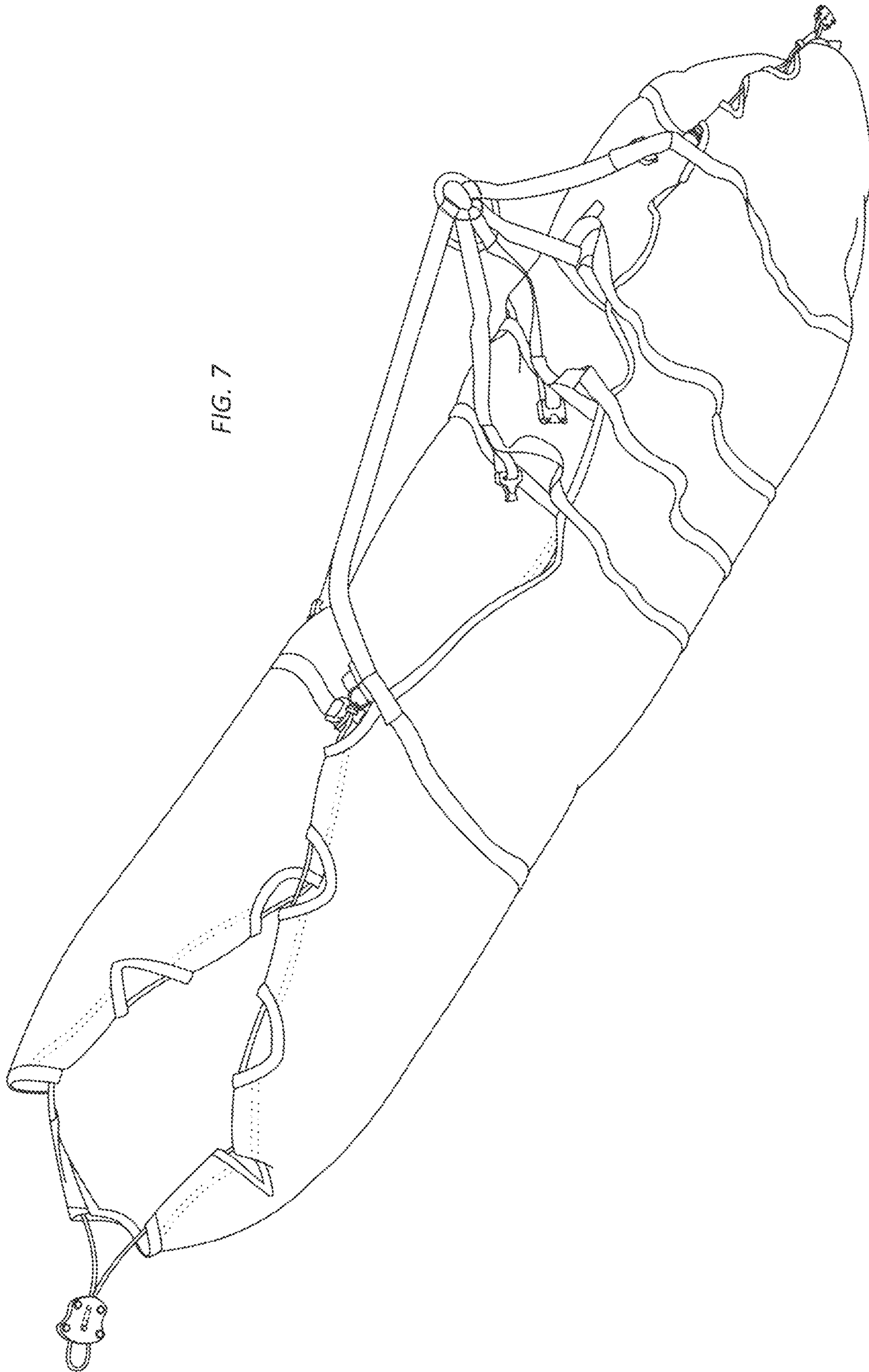


FIG. 7

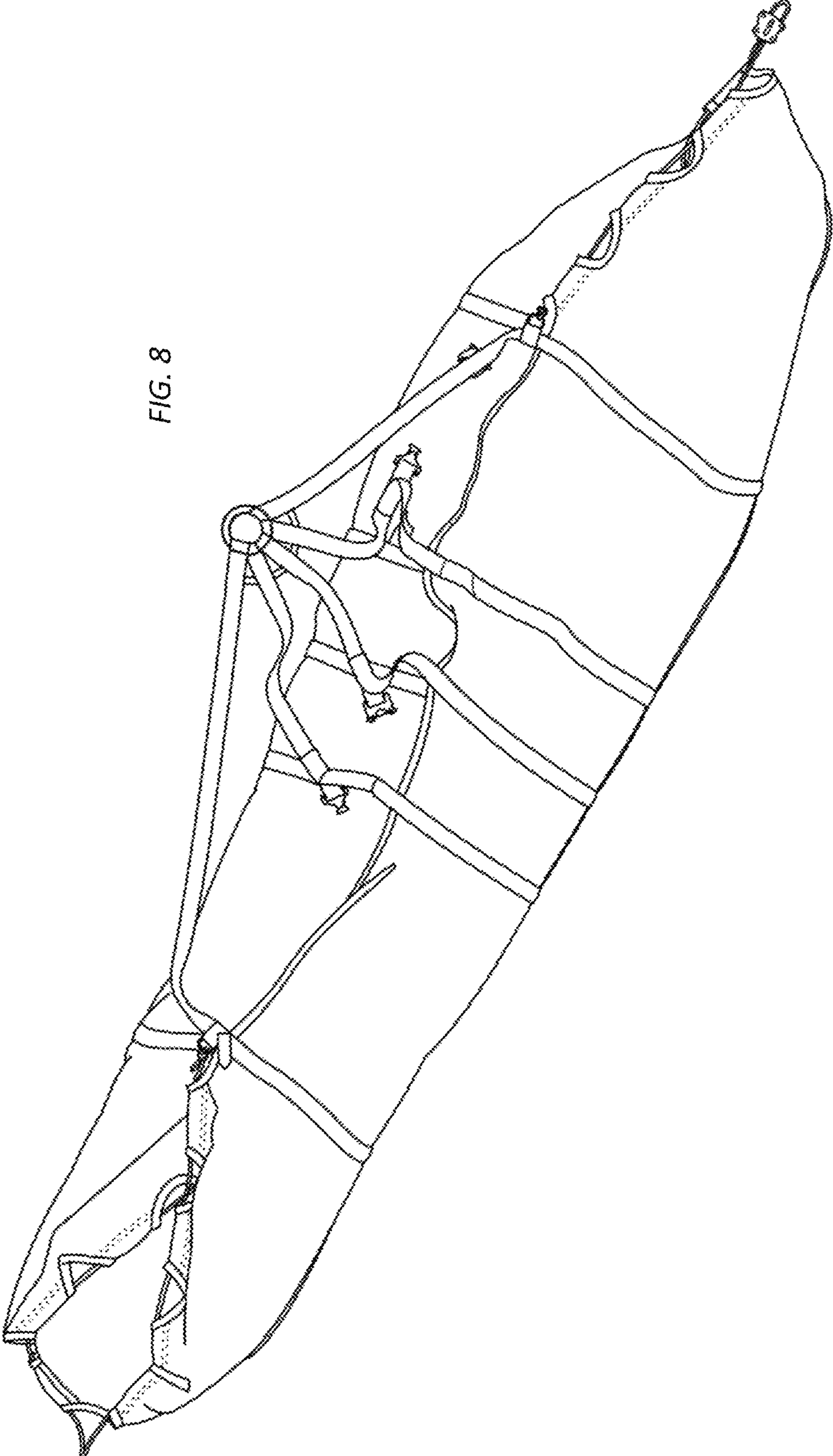
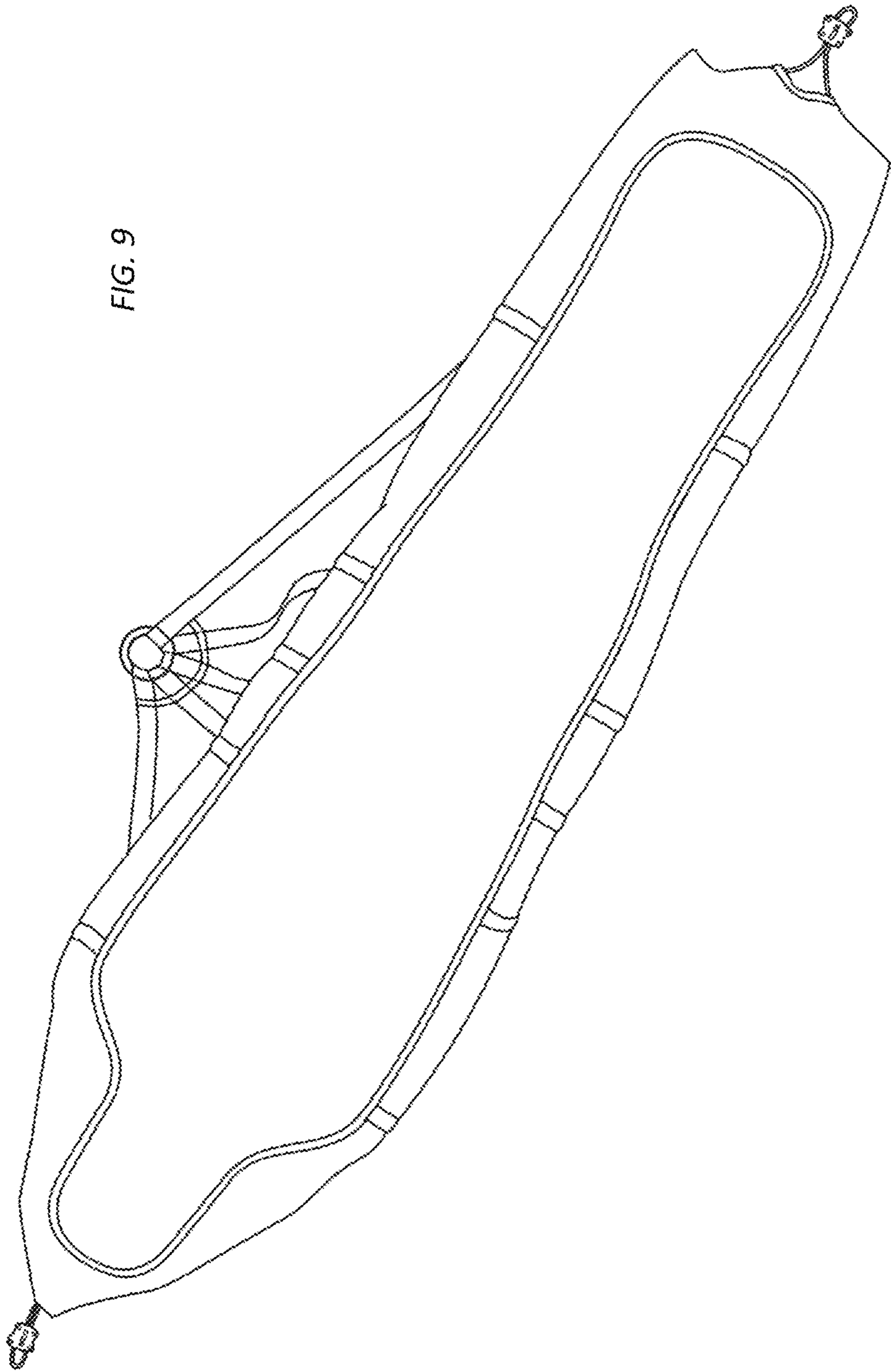


FIG. 8

FIG. 9



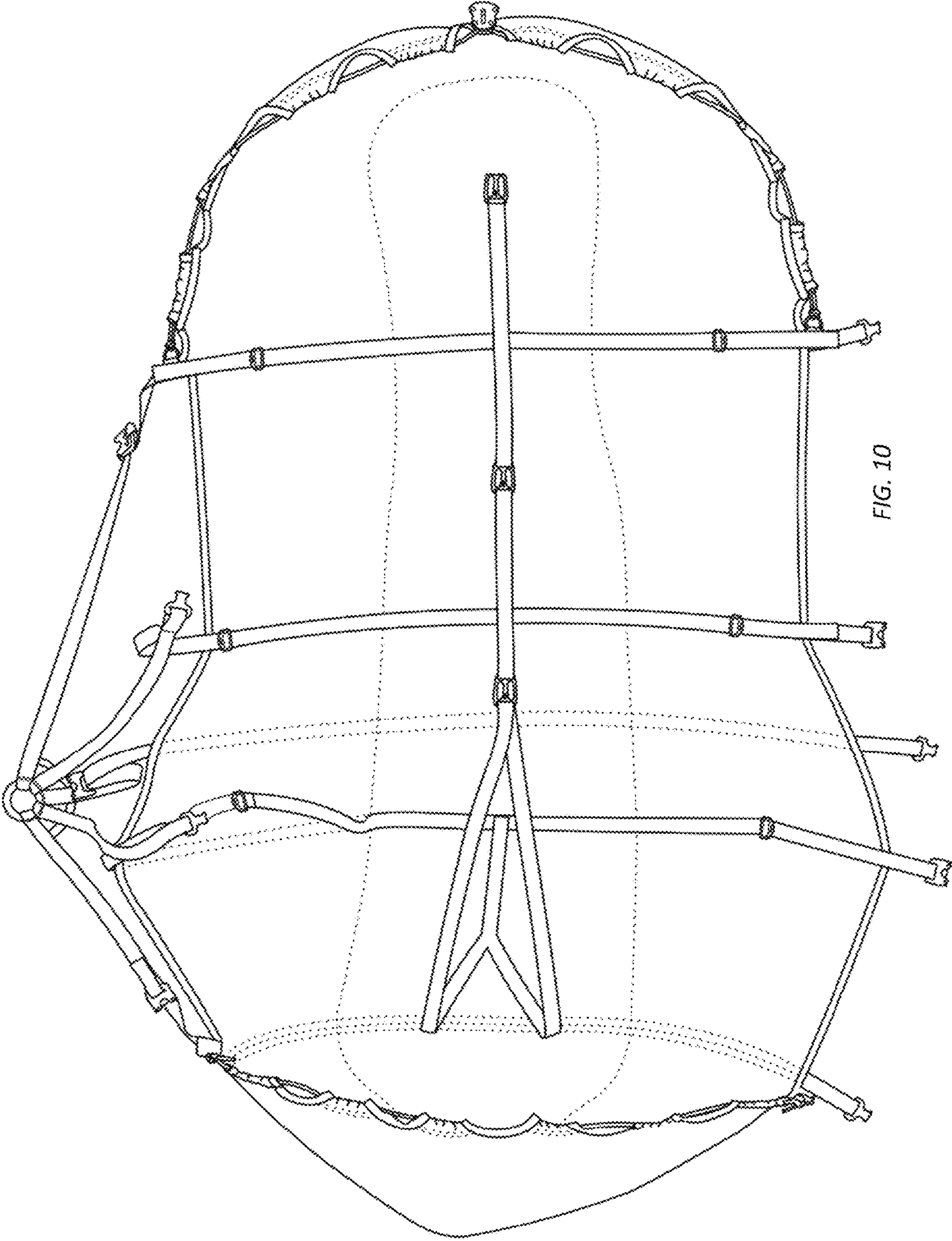


FIG. 10

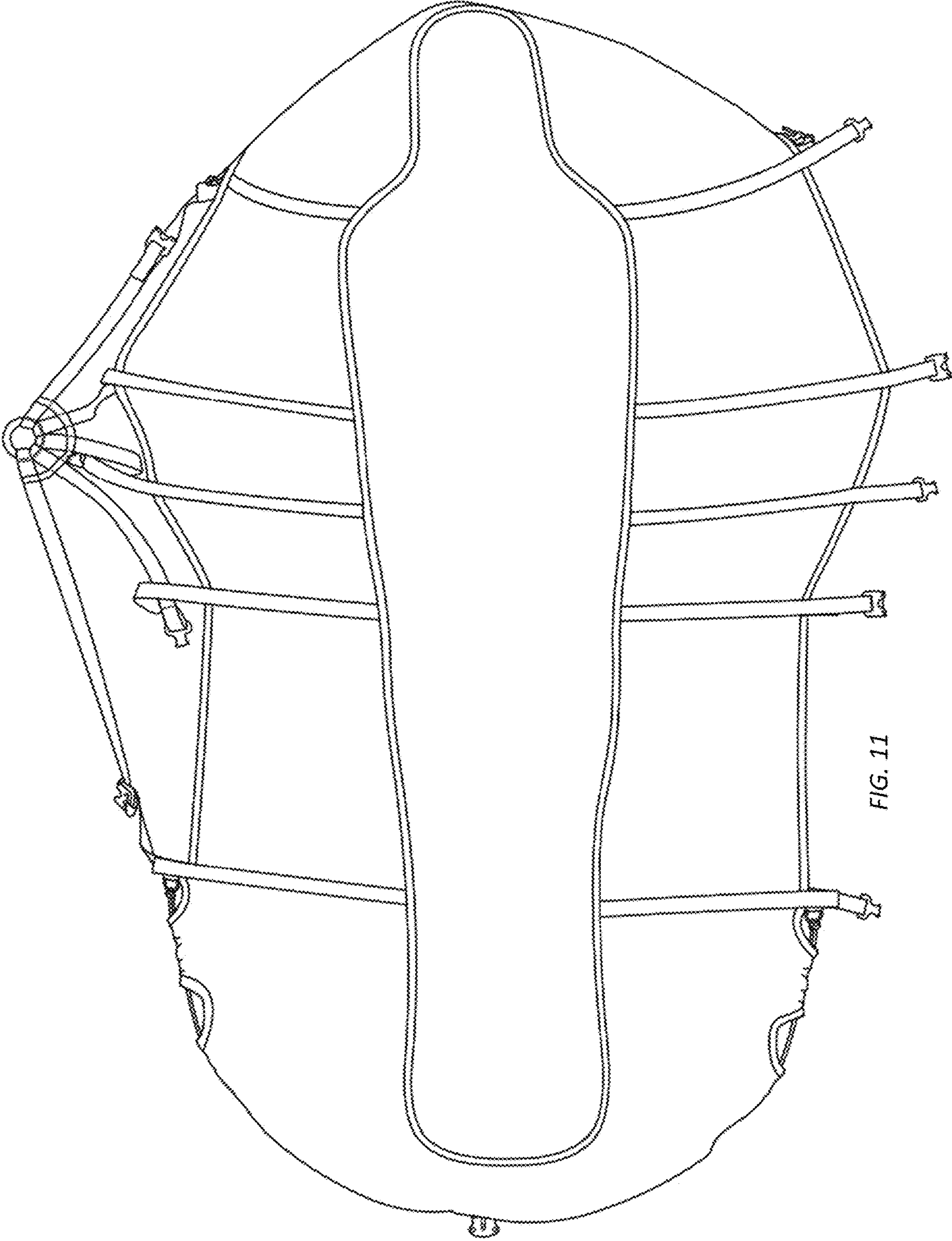


FIG. 11