



US00D874730S

(12) **United States Design Patent** (10) **Patent No.:** **US D874,730 S**  
**Khubani et al.** (45) **Date of Patent:** **\*\* Feb. 4, 2020**

- (54) **SHAVING DEVICE**
- (71) Applicant: **Church & Dwight Co., Inc.**, Ewing, NJ (US)
- (72) Inventors: **Anand Khubani**, Morristown, NJ (US); **David Stowers**, Morristown, NJ (US)
- (73) Assignee: **Church & Dwight Co., Inc.**, Ewing, NJ (US)
- (\*\*) Term: **15 Years**
- (21) Appl. No.: **29/651,304**
- (22) Filed: **Apr. 6, 2018**

- D516,245 S \* 2/2006 Ohta ..... D28/49
- 7,152,323 B1 \* 12/2006 Lin ..... B26B 19/148
- 30/29.5
- D536,135 S \* 1/2007 Kitagawa ..... D28/53
- D561,941 S \* 2/2008 Khubani ..... D28/53
- D617,050 S \* 6/2010 Lou ..... D28/76
- D617,051 S \* 6/2010 Pires ..... D28/76
- D632,014 S \* 2/2011 Lee ..... D28/76

(Continued)

*Primary Examiner* — Jennifer Rivard  
(74) *Attorney, Agent, or Firm* — Womble Bond Dickinson (US) LLP

(57) **CLAIM**

We claim the ornamental design for a shaving device, as shown and described.

**Related U.S. Application Data**

- (63) Continuation-in-part of application No. 29/620,948, filed on Sep. 1, 2017, now Pat. No. Des. 834,254.
- (51) **LOC (12) Cl.** ..... **D28-Cl**
- (52) **U.S. Cl.**  
USPC ..... **D28/51; D28/53**
- (58) **Field of Classification Search**  
USPC ..... D28/44, 44.1, 49, 51–54, 50  
CPC ..... B26B 19/00–107; B26B 19/12–18; B26B 19/38–3893; A45D 26/0023–0038; A45D 26/0042–0052  
See application file for complete search history.

**DESCRIPTION**

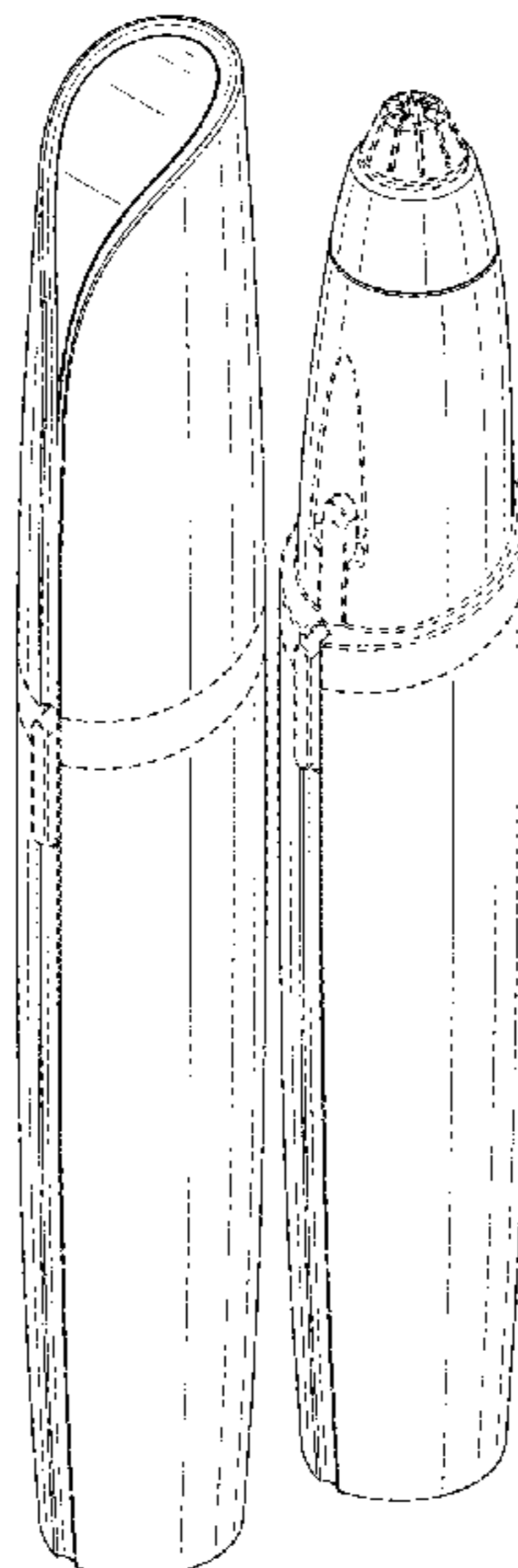
FIG. 1 is a front perspective view of a shaving device shown with the cap of the present invention showing our new design;  
 FIG. 2 is a front side elevation view thereof;  
 FIG. 3 is a back side elevation view thereof;  
 FIG. 4 is a side elevation view thereof;  
 FIG. 5 is another side elevation view thereof;  
 FIG. 6 is a top plan view thereof;  
 FIG. 7 is a bottom plan view thereof;  
 FIG. 8 is a perspective view of the shaving device shown without the cap;  
 FIG. 9 is a front side view of FIG. 8;  
 FIG. 10 is a back side view of FIG. 8;  
 FIG. 11 is a side view of FIG. 8;  
 FIG. 12 is another side view of FIG. 8;  
 FIG. 13 is a top plan view of FIG. 8; and,  
 FIG. 14 is a bottom plan view of FIG. 8.  
 The shaving device is shown with and without the cap for convenience of illustration.  
 The broken lines illustrate portions of the shaving device and form no part of the claimed design.

(56) **References Cited**

**U.S. PATENT DOCUMENTS**

- D305,162 S \* 12/1989 Mockovak ..... D28/53
- D400,303 S \* 10/1998 Tanaka ..... D28/49
- 6,272,752 B1 \* 8/2001 Pino ..... B26B 19/148
- 30/29.5
- D485,013 S \* 1/2004 Leventhal ..... D28/52
- D488,260 S \* 4/2004 Khubani ..... D28/53
- D497,035 S \* 10/2004 Khubani ..... D28/53
- D513,092 S \* 12/2005 Ajootian ..... D28/53
- D514,257 S \* 1/2006 Bokelman-Dumas ..... D28/53

**1 Claim, 12 Drawing Sheets**



(56)

References Cited

U.S. PATENT DOCUMENTS

D674,144	S *	1/2013	Yamamoto	.....	D28/46
D674,145	S *	1/2013	Ino	.....	D28/51
D674,558	S *	1/2013	Ino	.....	D28/53
D704,066	S *	5/2014	de Lima Paschoal	.....	D28/76
D728,159	S *	4/2015	Szymanski	.....	D28/49
D758,664	S *	6/2016	Van Maanen	.....	D28/51
D776,877	S *	1/2017	Zadro	.....	D28/50
9,743,738	B2 *	8/2017	Sanchez-Martinez	.....	
				A45D 26/0028	
D834,253	S *	11/2018	Khubani	.....	D28/50
D834,254	S *	11/2018	Khubani	.....	D28/50
D836,840	S *	12/2018	Khubani	.....	D28/50
D841,247	S *	2/2019	Stowers	.....	D28/50
D841,887	S *	2/2019	Stowers	.....	D28/50
2005/0144783	A1 *	7/2005	Yiu	.....	B26B 19/00
				30/29.5	
2018/0290318	A1 *	10/2018	Khubani	.....	B26B 19/3853
2018/0333875	A1 *	11/2018	Lau	.....	B26B 19/06

\* cited by examiner

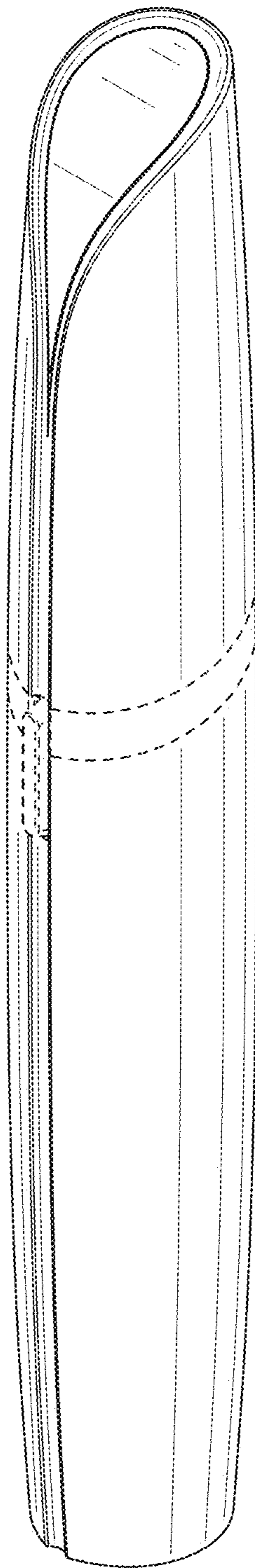


FIG. 1

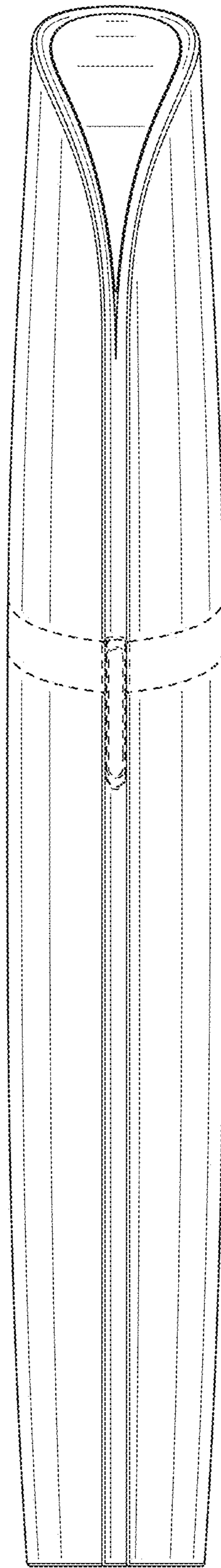


FIG. 2

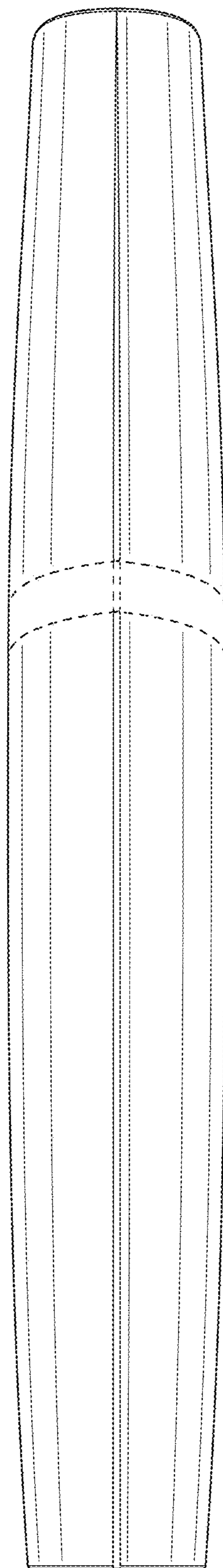


FIG. 3

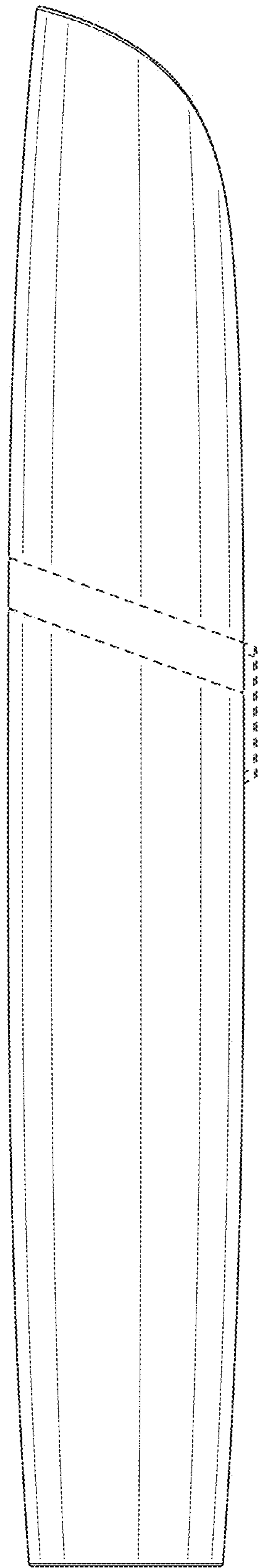


FIG. 4

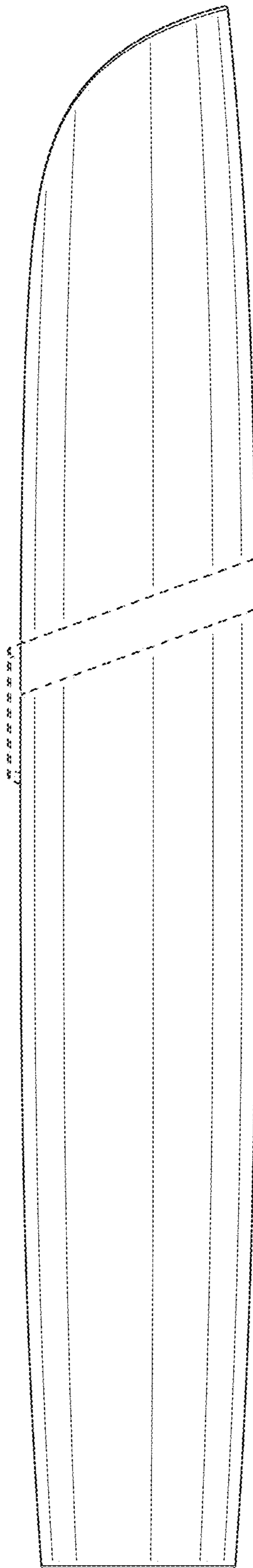


FIG. 5

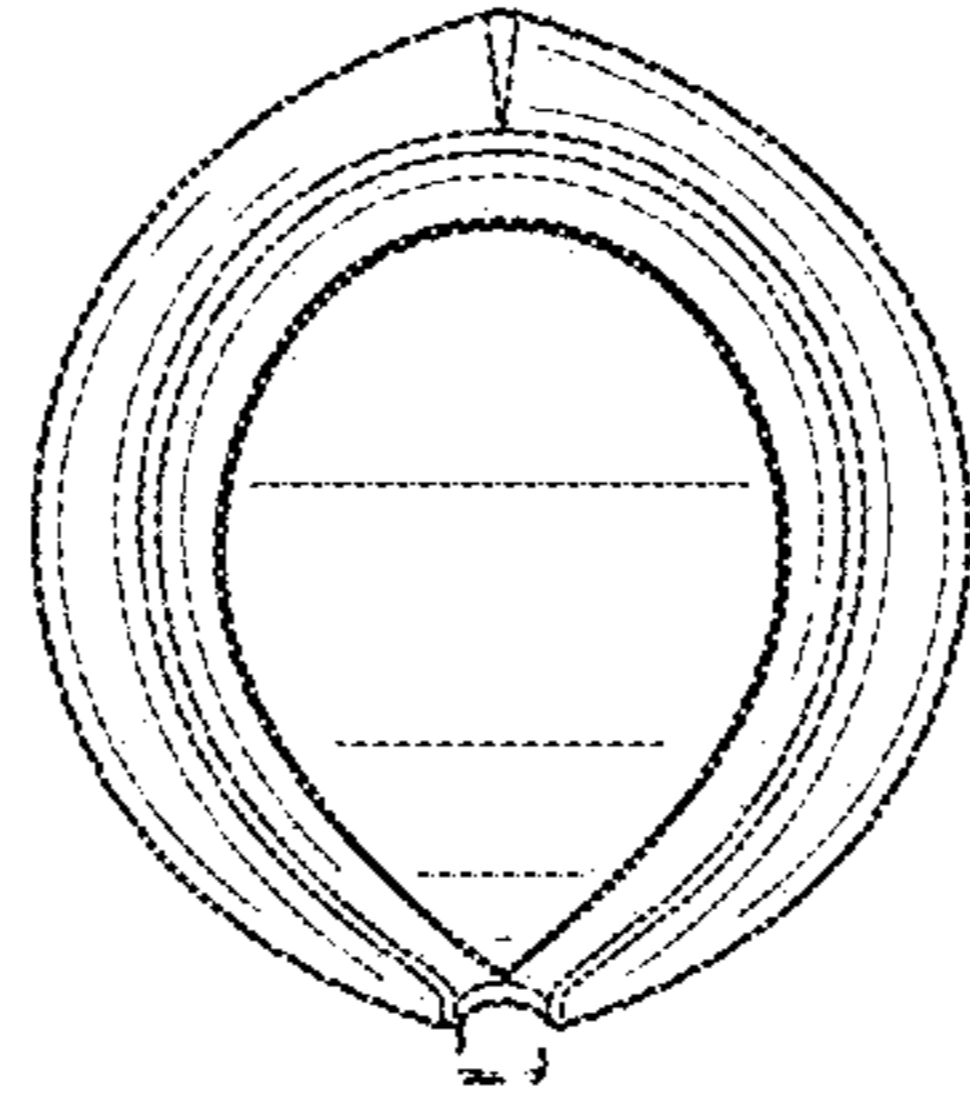


FIG. 6

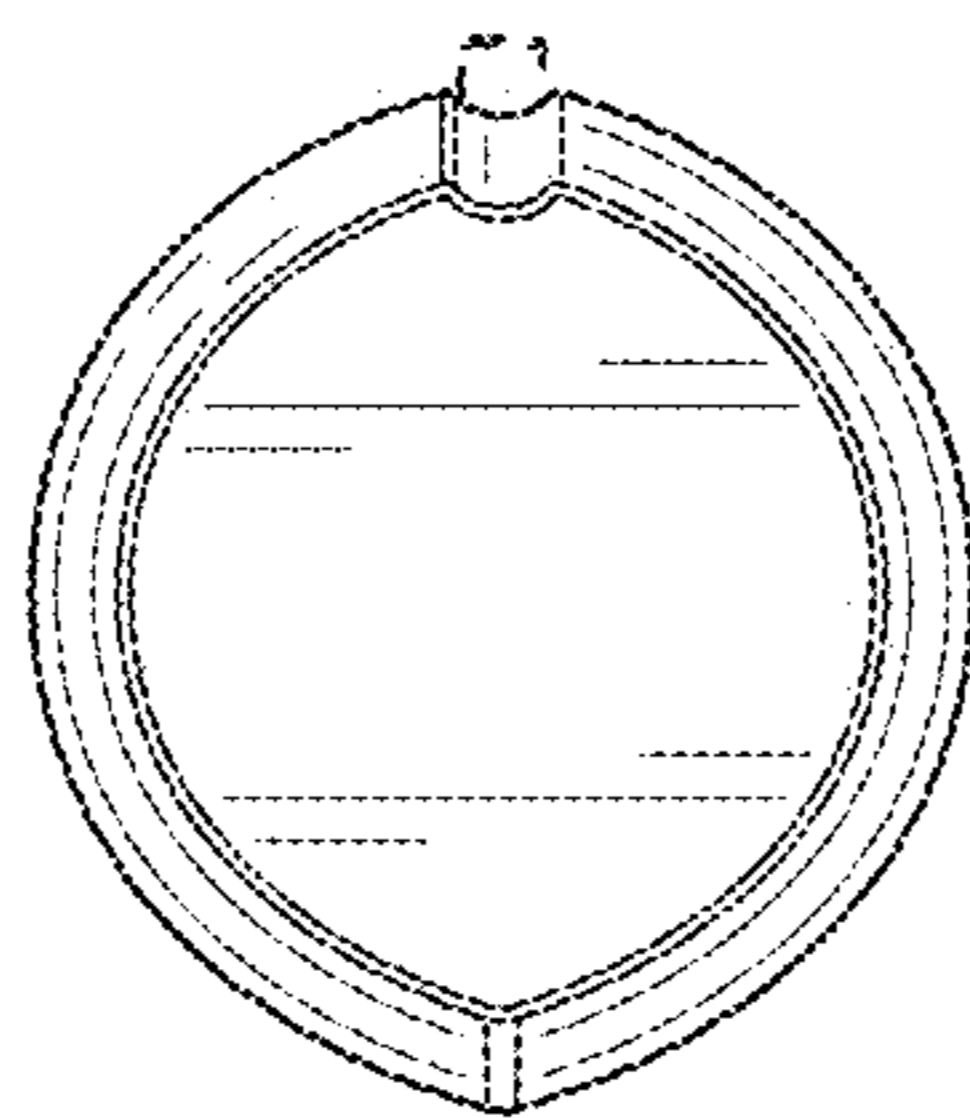


FIG. 7



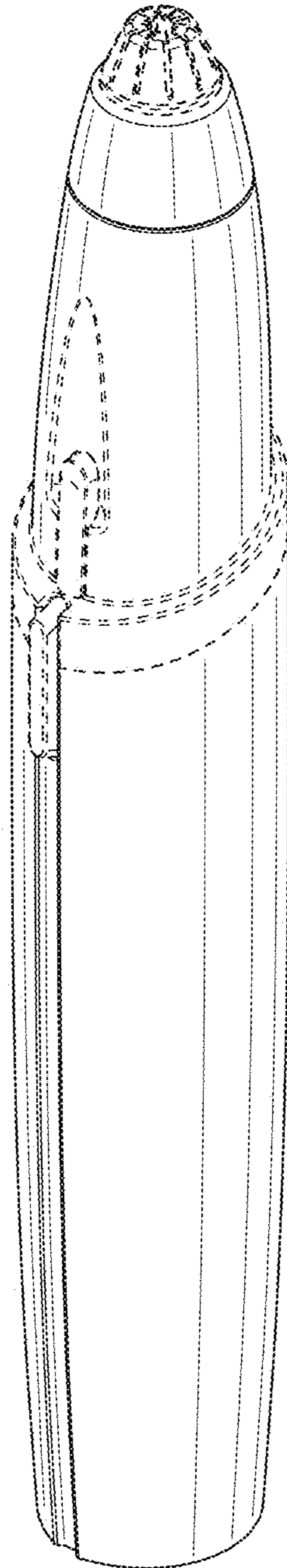


FIG. 8

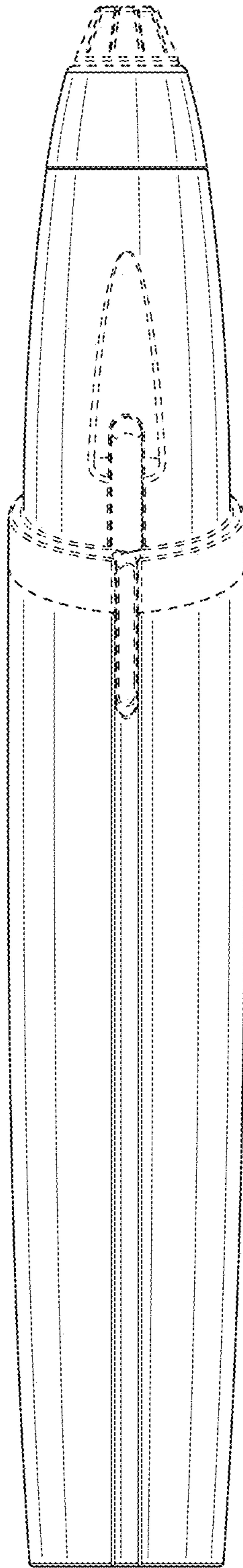


FIG. 9

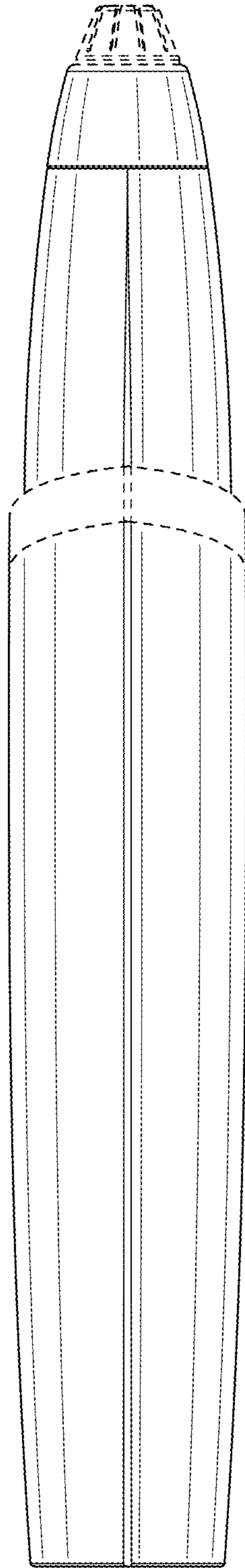


FIG. 10

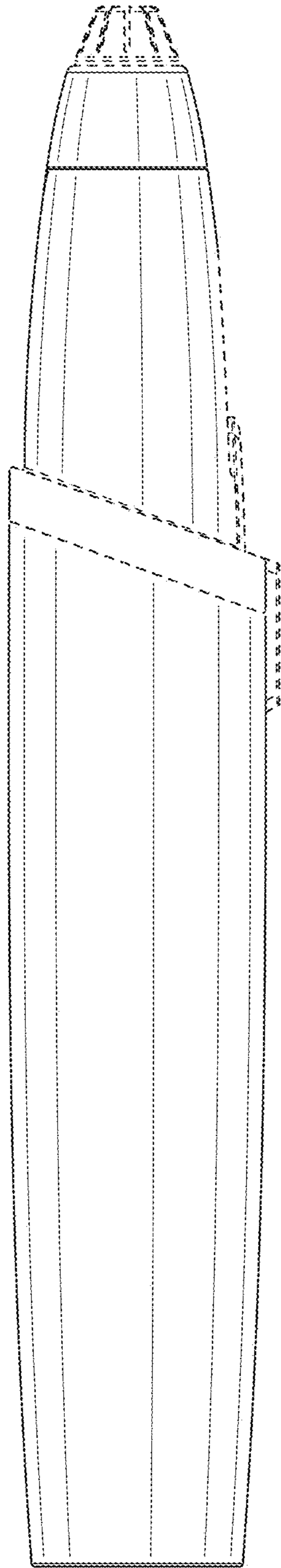


FIG. 11

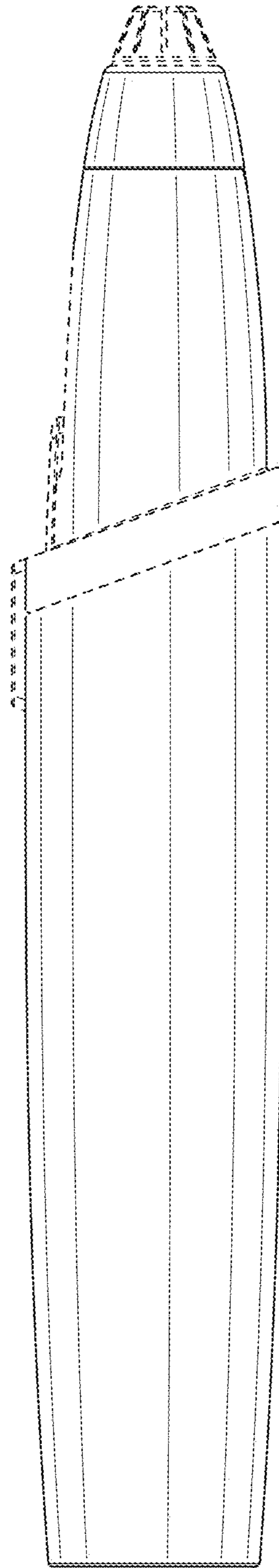


FIG. 12

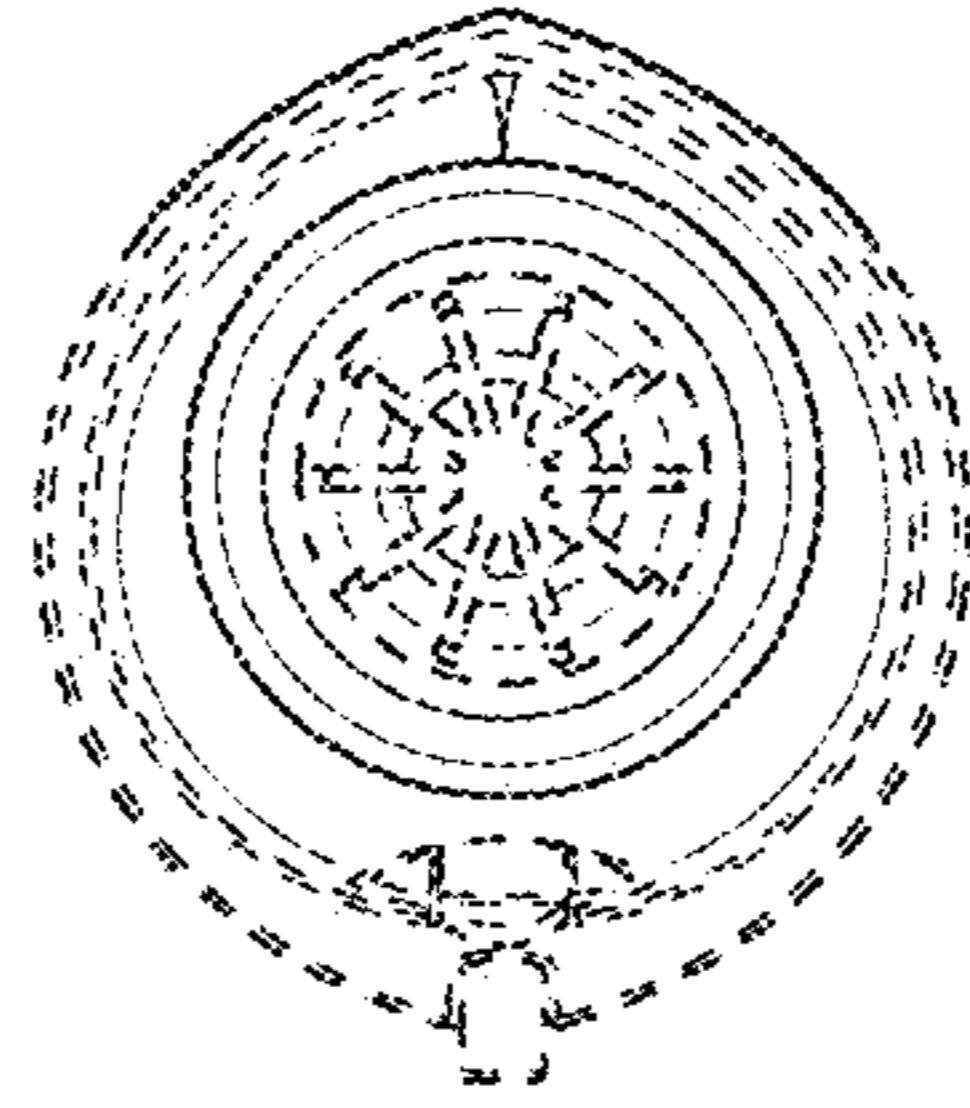


FIG. 13

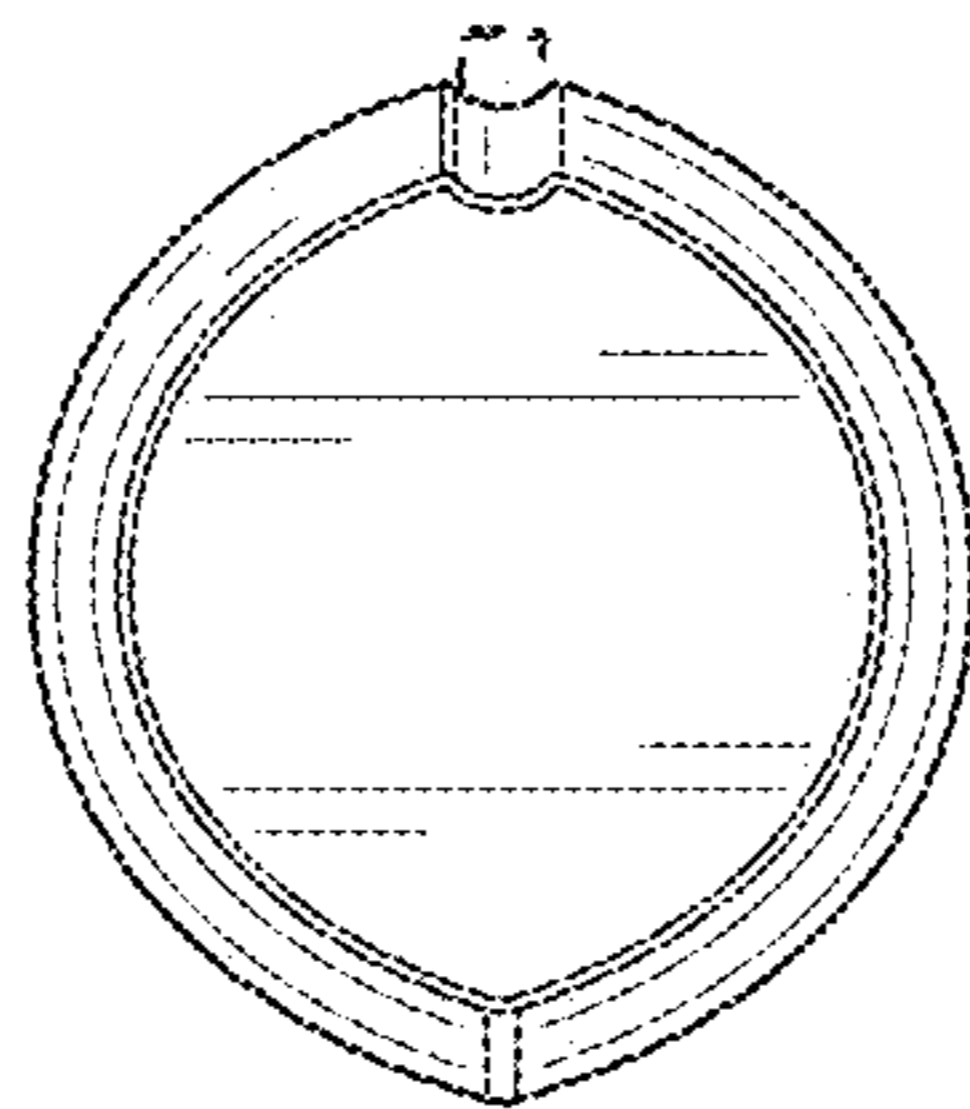


FIG. 14