



US00D874729S

(12) **United States Design Patent** (10) **Patent No.:** **US D874,729 S**  
**Watson et al.** (45) **Date of Patent:** **\*\* Feb. 4, 2020**

(54) **RAZOR HANDLE**

(71) Applicant: **The Gillette Company LLC**, Boston, MA (US)

(72) Inventors: **Brian Patrick Watson**, Marshfield, MA (US); **Rory Frederick Wellington McGarry**, Boston, MA (US); **Oliver Felix Grabes**, Frankfurt (DE); **Matthew Frank Murgida**, Somerville, MA (US)

(73) Assignee: **The Gillette Company LLC**, Boston, MA (US)

(\*\*) Term: **15 Years**

(21) Appl. No.: **29/638,763**

(22) Filed: **Feb. 28, 2018**

(51) **LOC (12) Cl.** ..... **28-03**

(52) **U.S. Cl.**  
USPC ..... **D28/48**

(58) **Field of Classification Search**  
USPC ..... D28/46-48, 49-51  
CPC ... B26B 21/00; B26B 21/08; B26B 21/14-38; B26B 21/40; B26B 21/4006; B26B 21/4012-4031; B26B 21/4037; B26B 21/405-4056; B26B 21/4062; B26B 21/4068-4075; B26B 21/48; B26B 21/52-528

See application file for complete search history.

(56) **References Cited**

**U.S. PATENT DOCUMENTS**

D392,417 S *	3/1998	Gray	.....	D28/48
D392,418 S *	3/1998	Gray	.....	D28/48
D397,512 S *	8/1998	Gray	.....	D28/48
5,890,296 A *	4/1999	Metcalf	.....	B26B 21/225 30/526
D438,342 S *	2/2001	Gray	.....	D28/48
D444,267 S *	6/2001	Gray	.....	D28/48

D509,321 S *	9/2005	Gray	.....	D28/46
D656,677 S *	3/2012	Cavazos Jimenez	.....	D28/48
D671,684 S *	11/2012	Wilby	.....	D28/46
D730,577 S *	5/2015	Mahony	.....	D28/46
D797,372 S *	9/2017	Forti	.....	D28/46

(Continued)

*Primary Examiner* — Jennifer Rivard

(74) *Attorney, Agent, or Firm* — Joanne N. Pappas; Kevin C. Johnson

(57) **CLAIM**

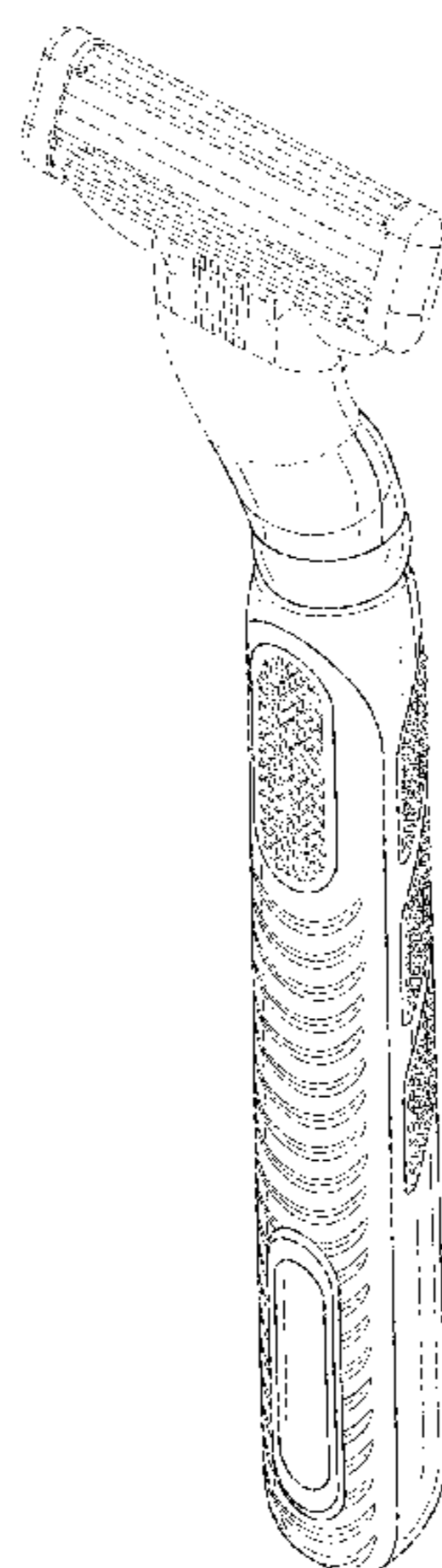
The ornamental design for a razor handle, as shown and described.

**DESCRIPTION**

FIG. 1 is a front perspective view of a design of a razor handle of the present invention; FIG. 2 is a front view thereof; FIG. 3 is a back view thereof; FIG. 4 is a right side view thereof; FIG. 5 is a left side view thereof; FIG. 6 is a top view thereof; FIG. 7 is a bottom view thereof; and FIG. 8 is a rear perspective view thereof. FIG. 9 is a front perspective view of a second design of a razor handle of the present invention; FIG. 10 is a front view thereof; FIG. 11 is a back view thereof; FIG. 12 is a right side view thereof; FIG. 13 is a left side view thereof; FIG. 14 is a top view thereof; FIG. 15 is a bottom view thereof; and, FIG. 16 is a rear perspective view thereof.

The evenly spaced broken line disclosure of the razor cartridge illustrates the environment and the remaining evenly spaced broken lines illustrate portions of the razor handle. The dash-dot-dash broken line illustrates the bounds of the claim. None of the broken lines form part of the claimed design.

**1 Claim, 12 Drawing Sheets**



(56)

**References Cited**

U.S. PATENT DOCUMENTS

D797,376 S *	9/2017	Forti	.....	D28/48
D814,114 S *	3/2018	Forti	.....	D28/48
D828,625 S *	9/2018	Forti	.....	D28/48
10,137,584 B2 *	11/2018	Lee	.....	B26B 21/14
D836,248 S *	12/2018	Forti	.....	D28/48
D842,542 S *	3/2019	Ramm	.....	D28/48
D842,543 S *	3/2019	Ramm	.....	D28/48

\* cited by examiner

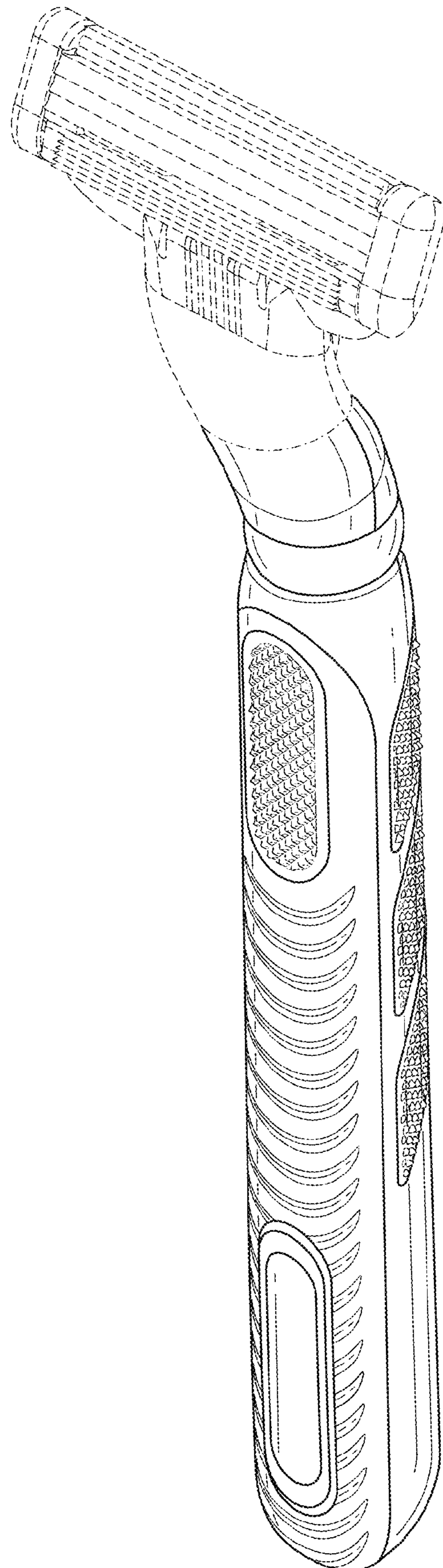


FIG. 1

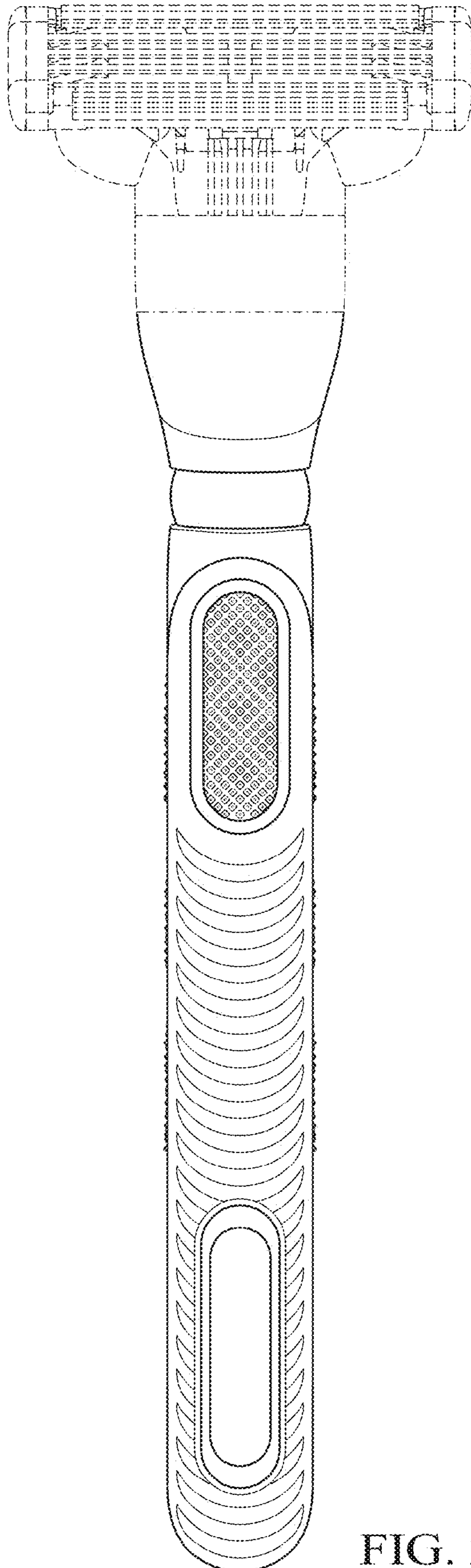


FIG. 2



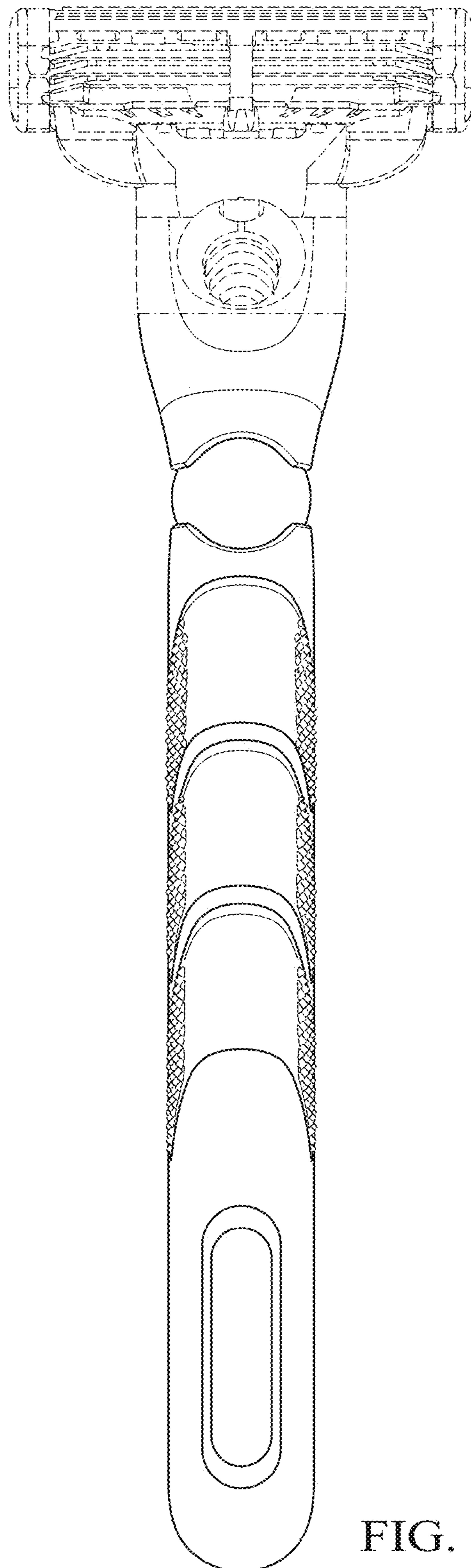


FIG. 3

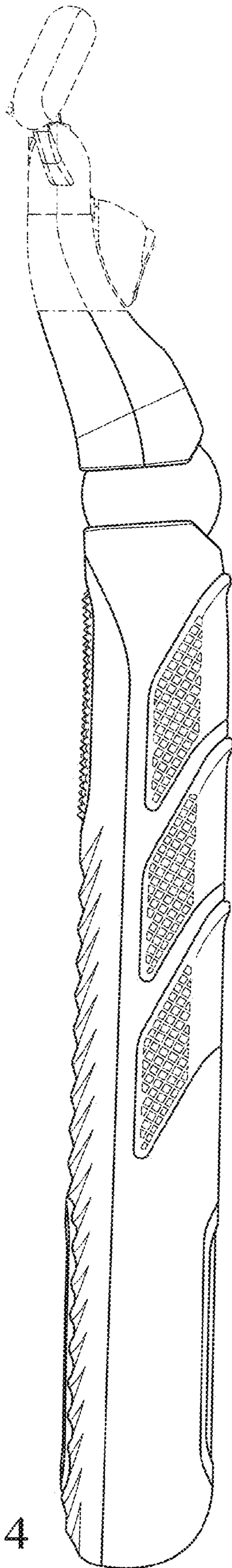


FIG. 4

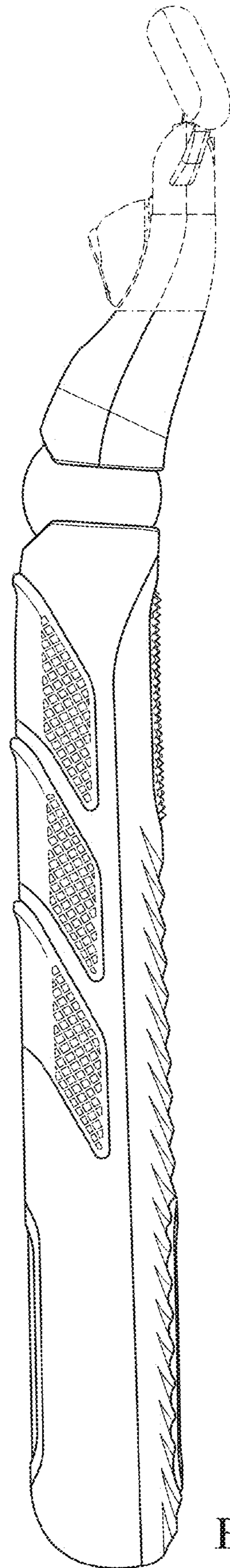


FIG. 5

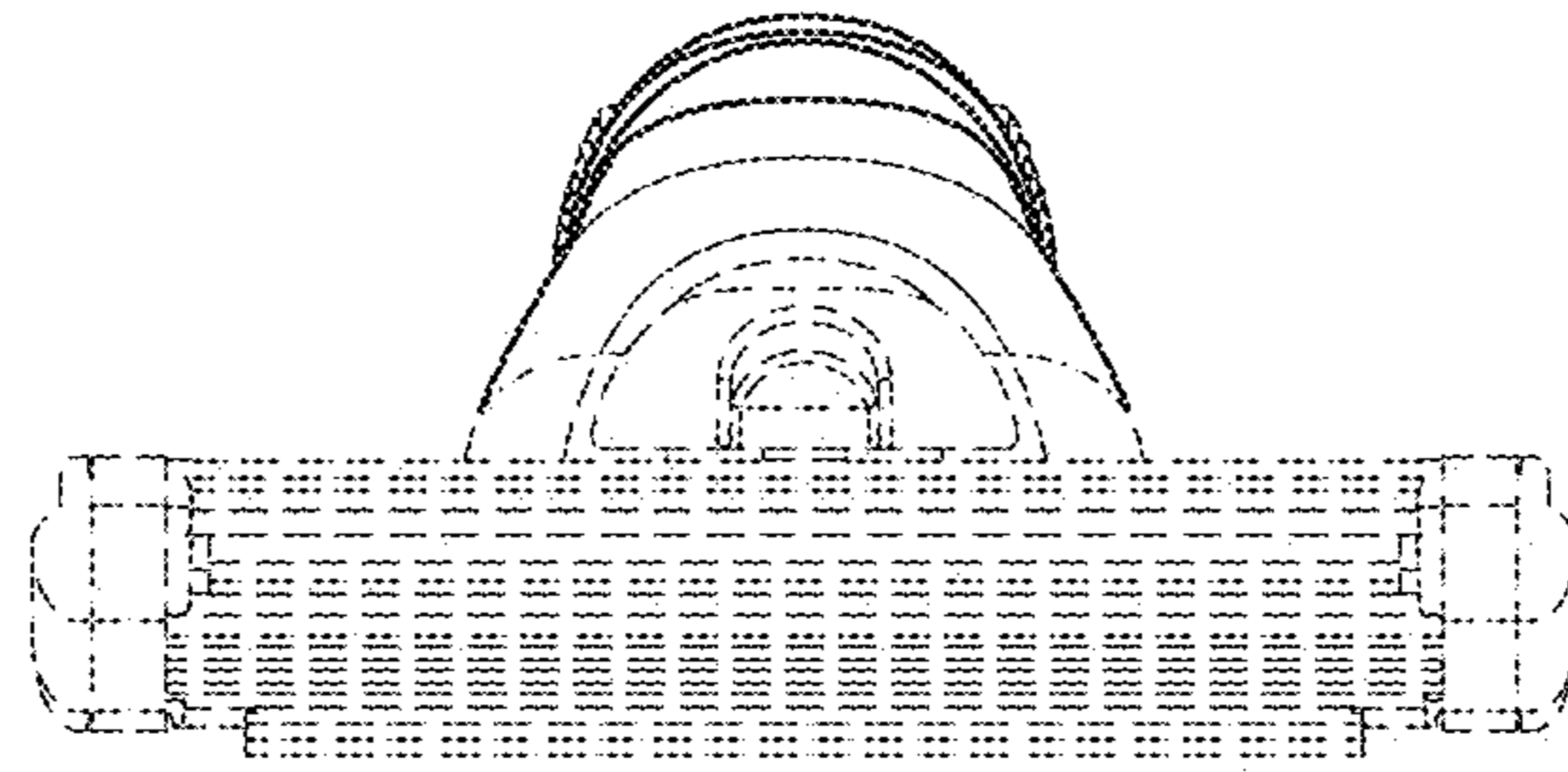


FIG. 6

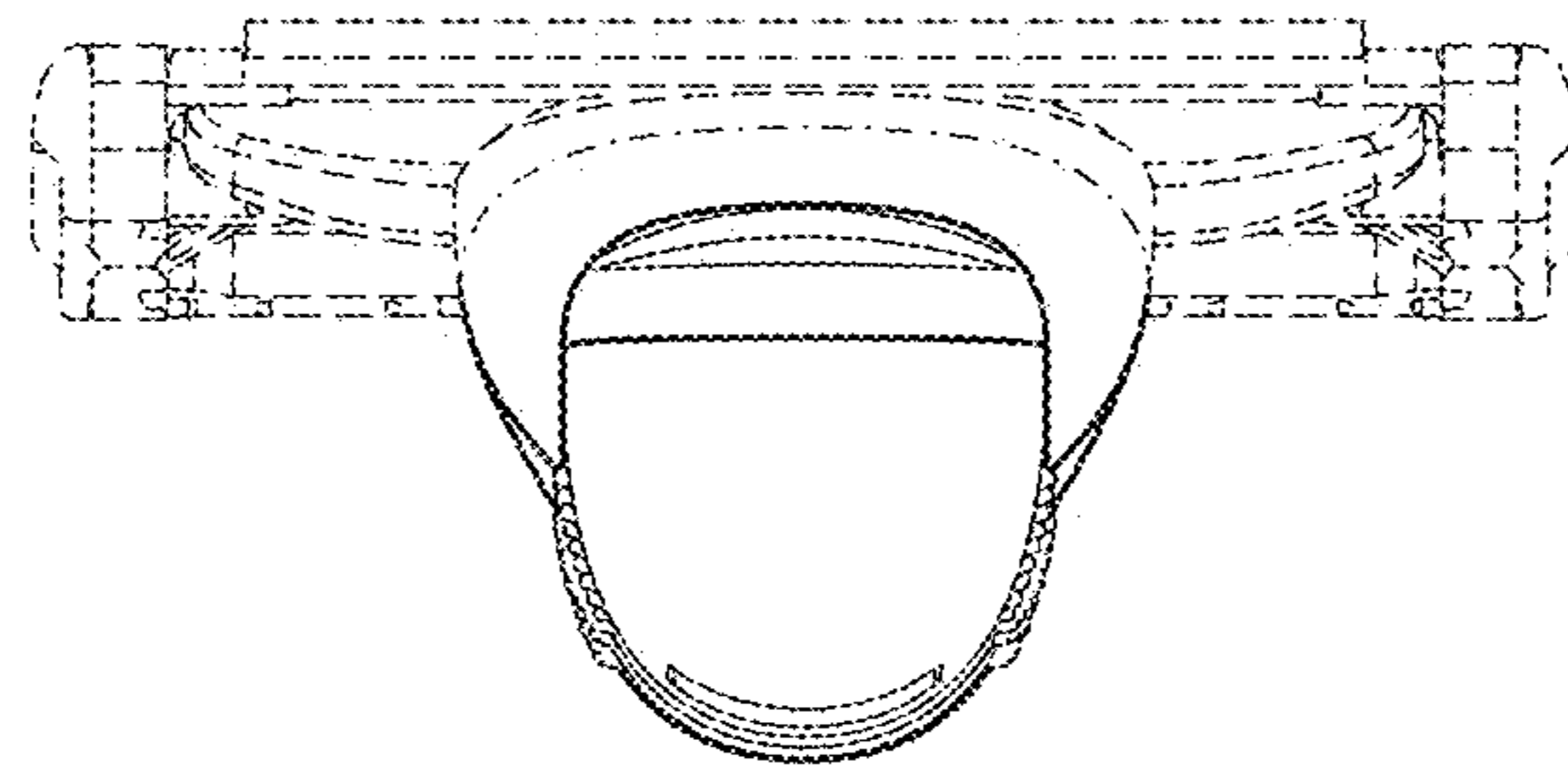


FIG. 7

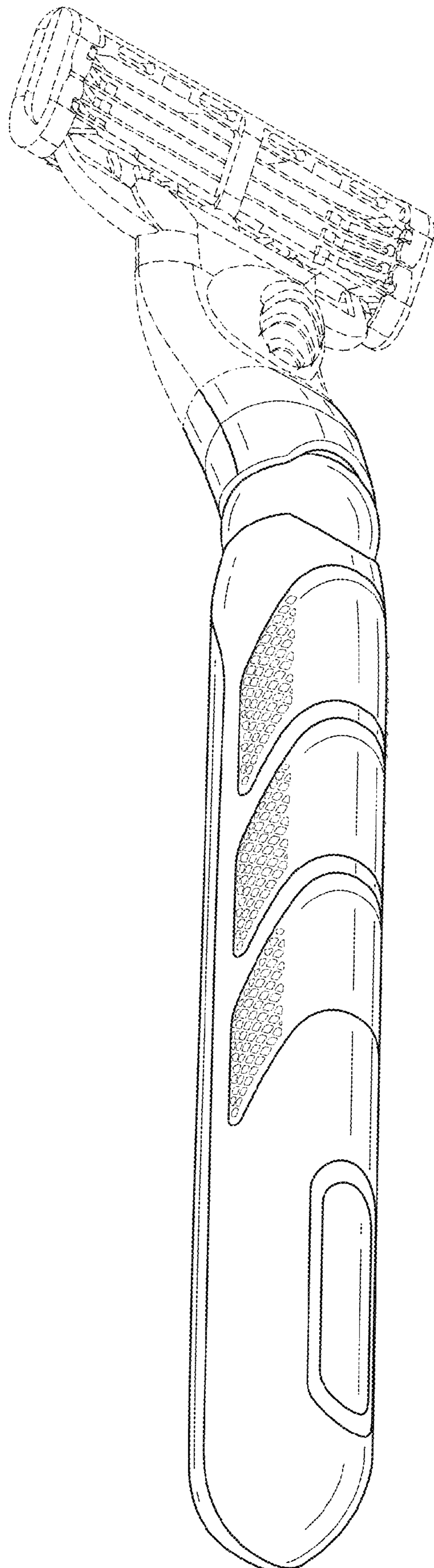


FIG. 8



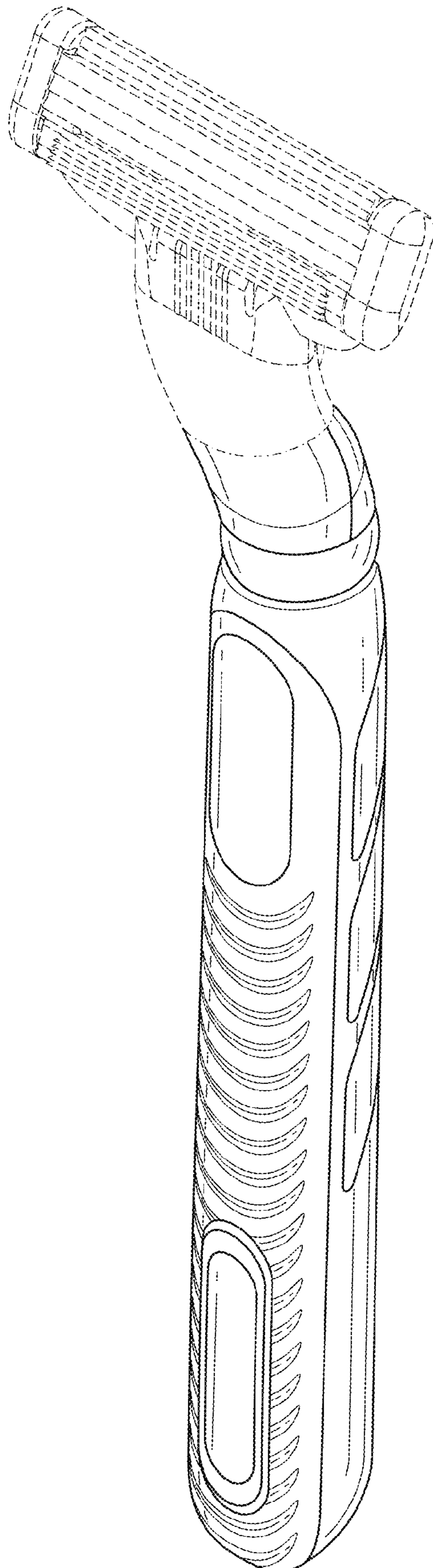


FIG. 9

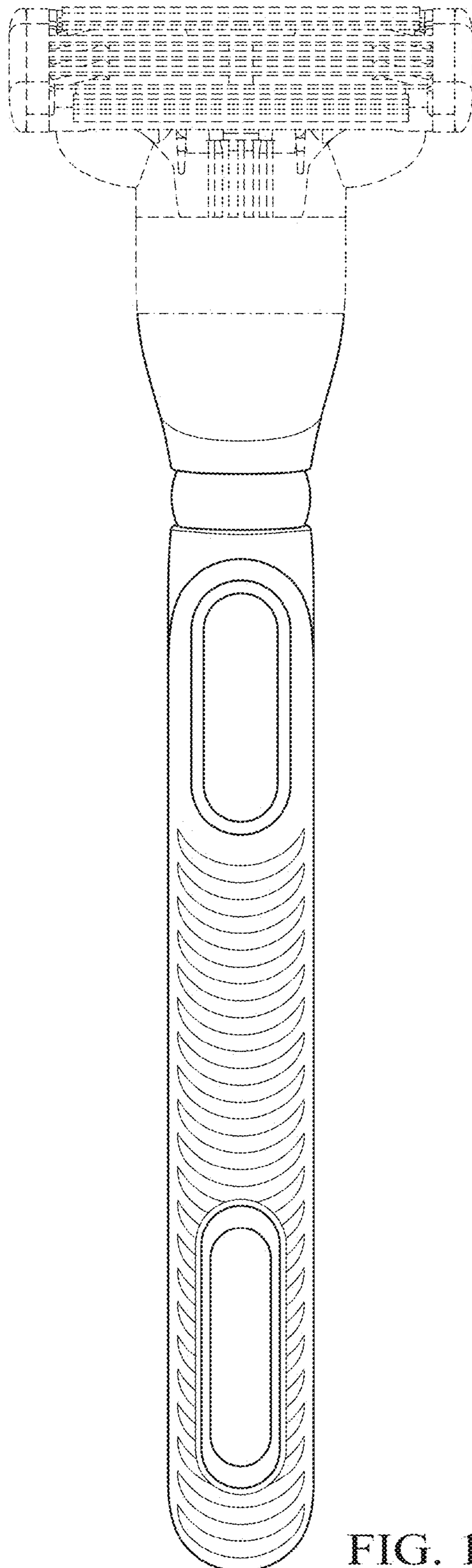


FIG. 10

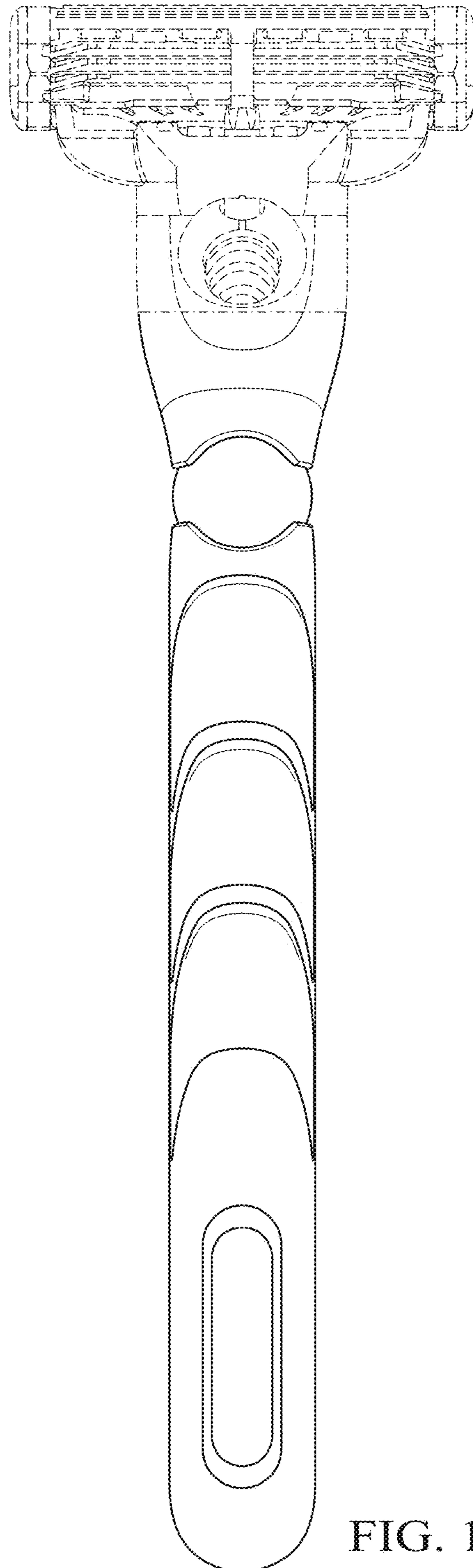


FIG. 11

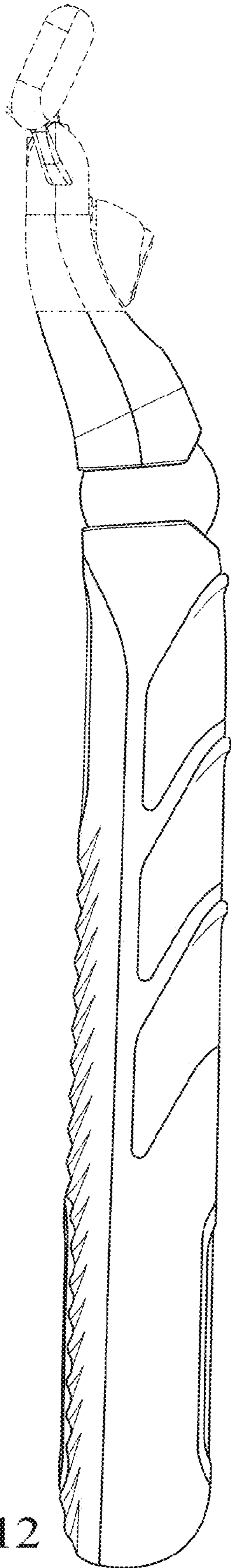


FIG. 12

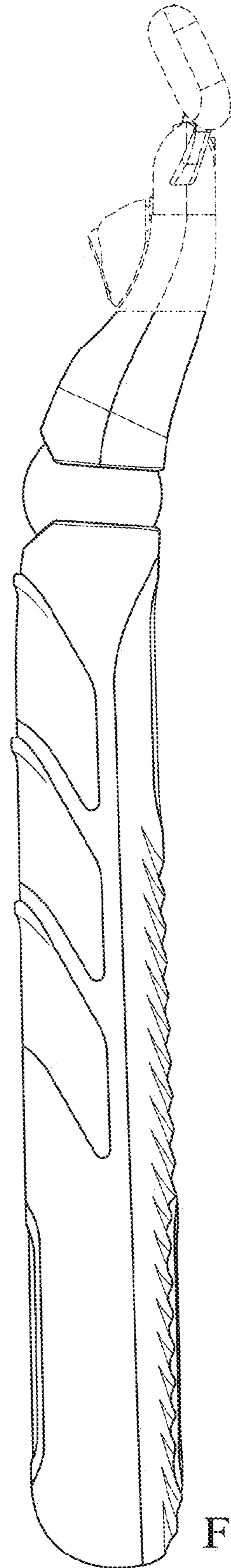


FIG. 13



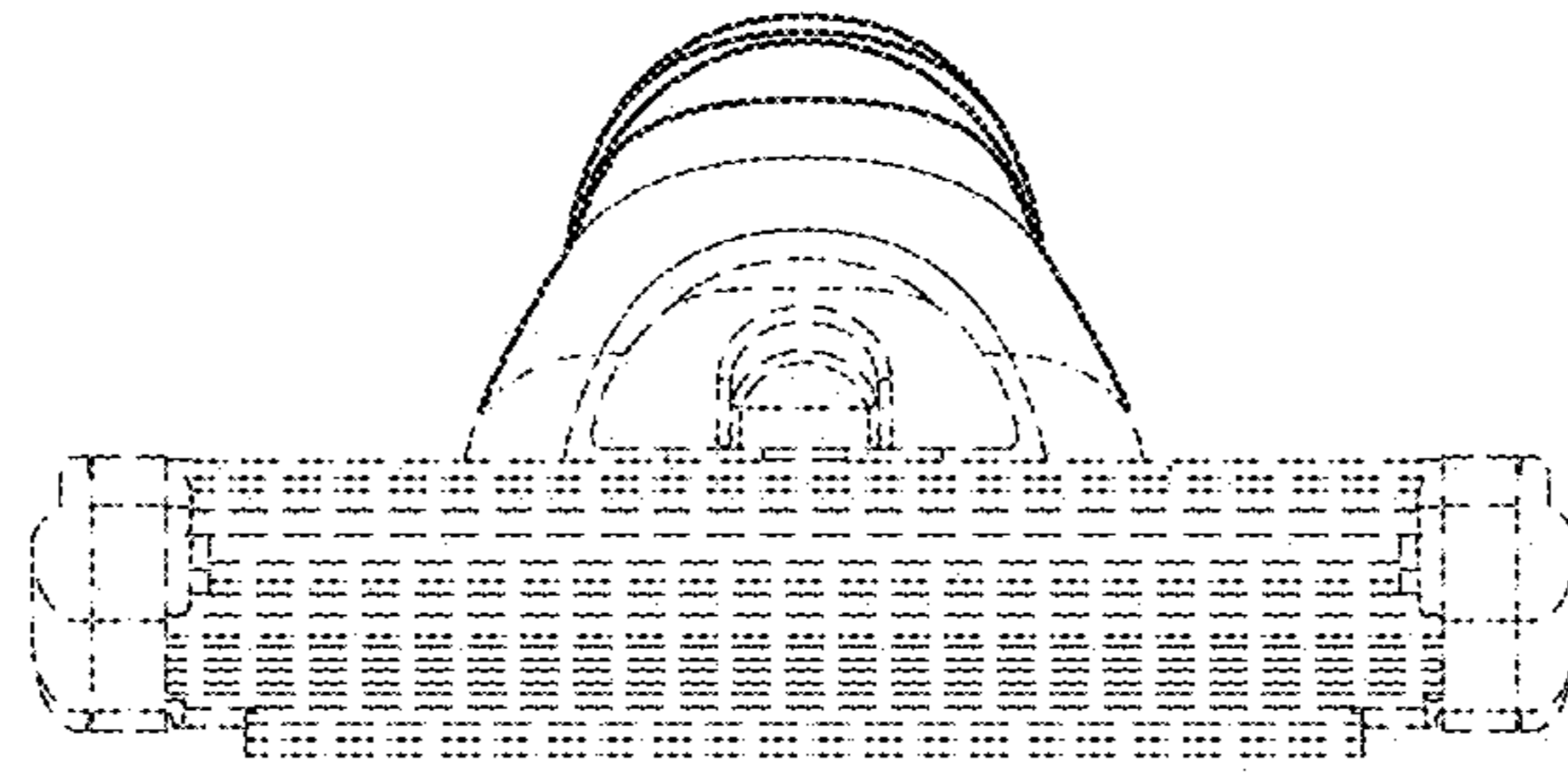


FIG. 14

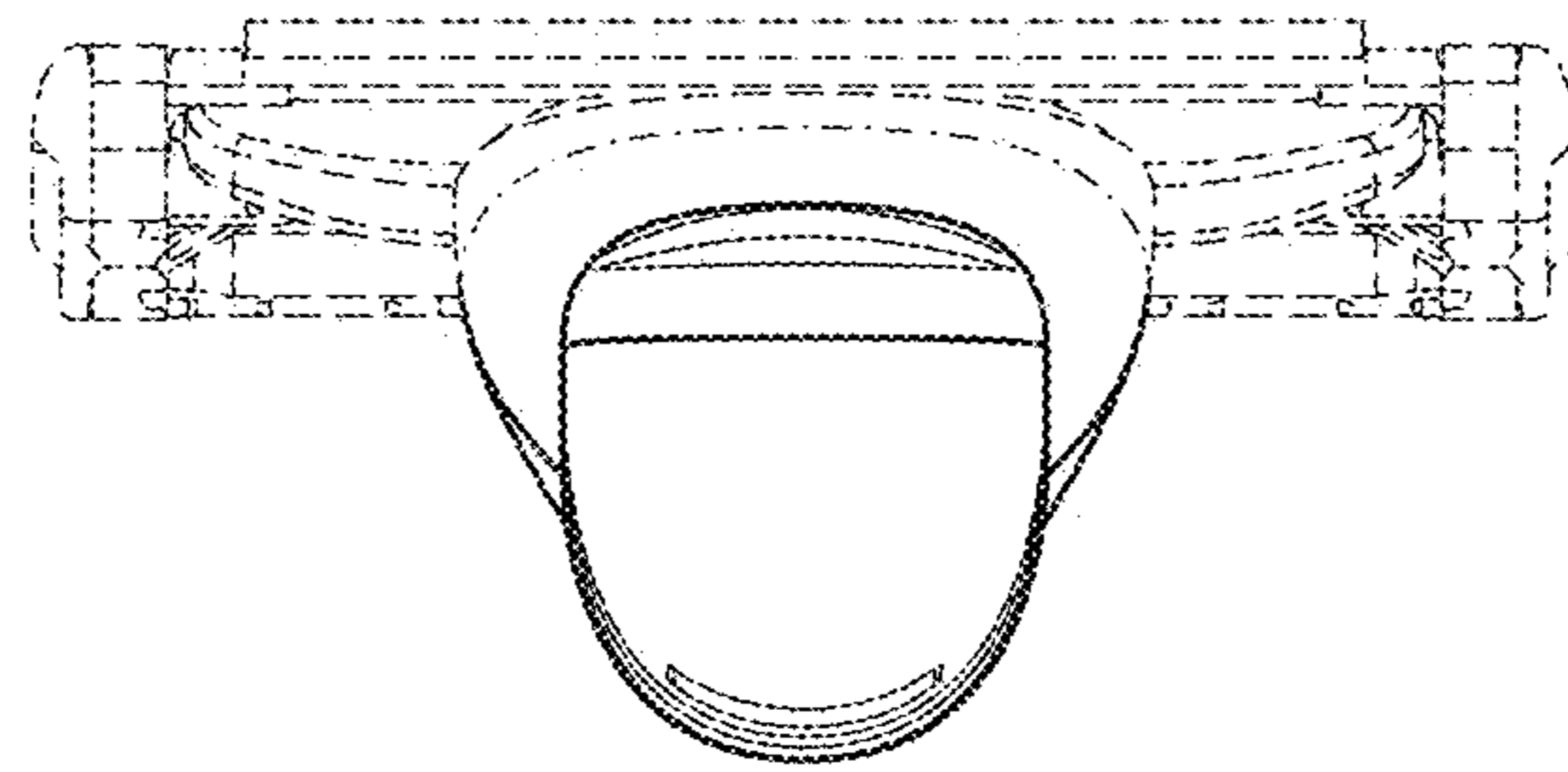


FIG. 15

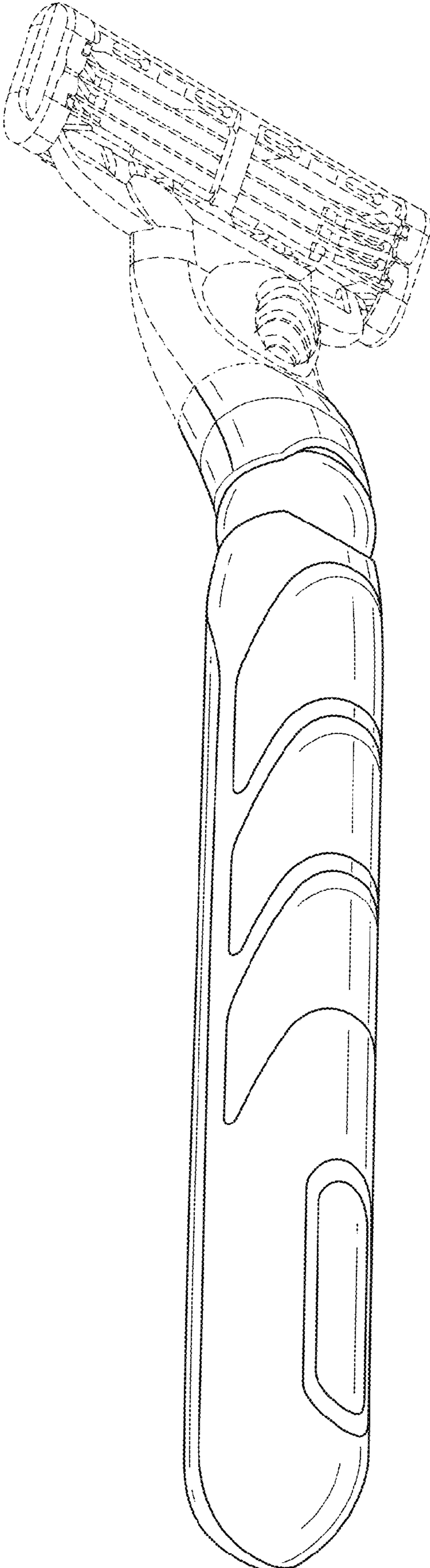


FIG. 16