



US00D874728S

(12) **United States Design Patent** (10) **Patent No.:** **US D874,728 S**  
**McGarry et al.** (45) **Date of Patent:** **\*\* Feb. 4, 2020**

(54) **RAZOR**  
(71) Applicant: **The Gillette Company LLC**, Boston, MA (US)  
(72) Inventors: **Rory Frederick Wellington McGarry**, Boston, MA (US); **Brian Patrick Watson**, Marshfield, MA (US); **Oliver Felix Grabes**, Frankfurt (DE)

D509,321 S \* 9/2005 Gray ..... D28/46  
D656,677 S \* 3/2012 Cavazos Jimenez ..... D28/48  
D671,684 S \* 11/2012 Wilby ..... D28/46  
D730,577 S \* 5/2015 Mahony ..... D28/46  
D797,372 S \* 9/2017 Forti ..... D28/46  
D797,376 S \* 9/2017 Forti ..... D28/48  
D814,114 S \* 3/2018 Forti ..... D28/48  
D828,625 S \* 9/2018 Forti ..... D28/48  
10,137,584 B2 \* 11/2018 Lee ..... B26B 21/14  
D836,248 S \* 12/2018 Forti ..... D28/48

(Continued)

(73) Assignee: **The Gillette Company LLC**, Boston, MA (US)

*Primary Examiner* — Jennifer Rivard

(\*\*) Term: **15 Years**

(74) *Attorney, Agent, or Firm* — Joanne N. Pappas; Kevin C. Johnson

(21) Appl. No.: **29/638,762**

(57) **CLAIM**

The ornamental design for a razor, as shown and described.

(22) Filed: **Feb. 28, 2018**

**DESCRIPTION**

(51) **LOC (12) Cl.** ..... **28-03**

(52) **U.S. Cl.**  
USPC ..... **D28/47**

(58) **Field of Classification Search**  
USPC ..... D28/46–48, 49–51  
CPC ... B26B 21/00; B26B 21/08; B26B 21/14–38;  
B26B 21/40; B26B 21/4006; B26B  
21/4012–4031; B26B 21/4037; B26B  
21/405–4056; B26B 21/4062; B26B  
21/4068–4075; B26B 21/48; B26B  
21/52–528

See application file for complete search history.

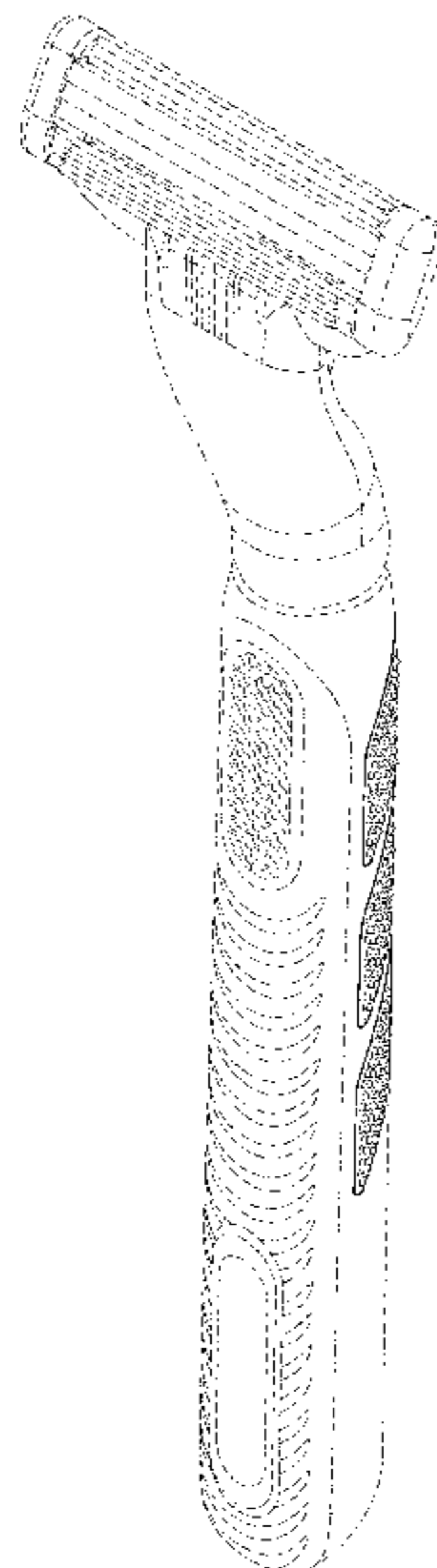
(56) **References Cited**

**U.S. PATENT DOCUMENTS**

D392,417 S \* 3/1998 Gray ..... D28/48  
D392,418 S \* 3/1998 Gray ..... D28/48  
D397,512 S \* 8/1998 Gray ..... D28/48  
5,890,296 A \* 4/1999 Metcalf ..... B26B 21/225  
30/526  
D438,342 S \* 2/2001 Gray ..... D28/48  
D444,267 S \* 6/2001 Gray ..... D28/48

FIG. 1 is a front perspective view of a design of a razor of the present invention;  
FIG. 2 is a front view thereof;  
FIG. 3 is a back view thereof;  
FIG. 4 is a right side view thereof;  
FIG. 5 is a left side view thereof;  
FIG. 6 is a top view thereof;  
FIG. 7 is a bottom view thereof;  
FIG. 8 is a rear perspective view thereof;  
FIG. 9 is a front perspective of a second design of a razor of the present invention;  
FIG. 10 is a front elevation view thereof;  
FIG. 11 is a back elevation view thereof;  
FIG. 12 is a right side view thereof;  
FIG. 13 is a left side view thereof;  
FIG. 14 is a top view thereof;  
FIG. 15 is a bottom view thereof; and,  
FIG. 16 is a rear perspective view thereof.  
The broken lines shown in the drawings illustrate portions of the razor and form no part of the claimed design.

**1 Claim, 12 Drawing Sheets**



(56)

**References Cited**

U.S. PATENT DOCUMENTS

D842,542 S \* 3/2019 Ramm ..... D28/48  
D842,543 S \* 3/2019 Ramm ..... D28/48

\* cited by examiner

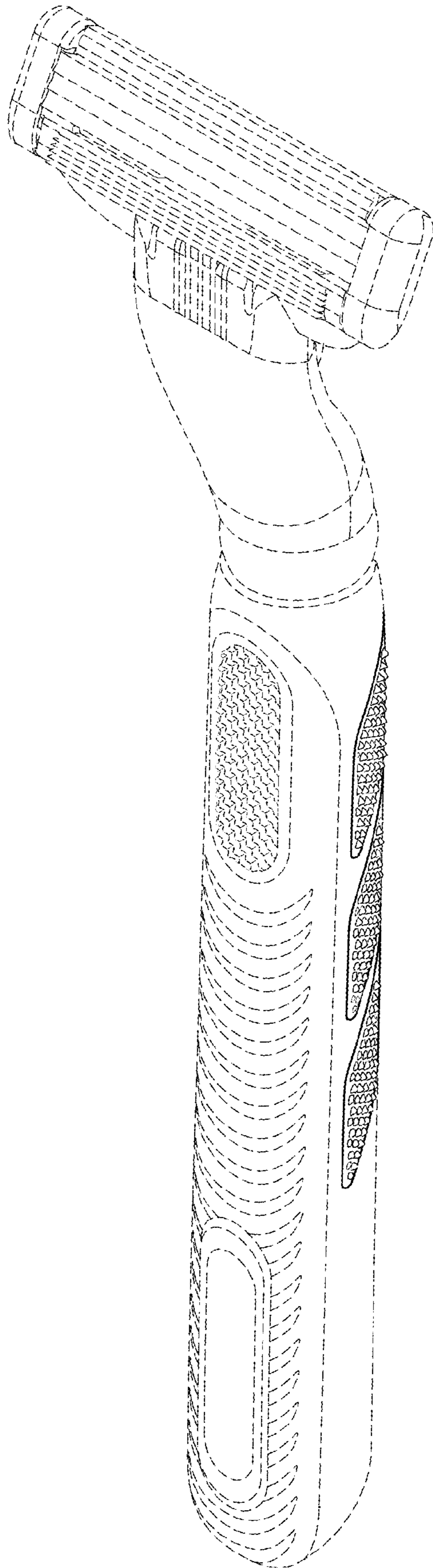


FIG. 1

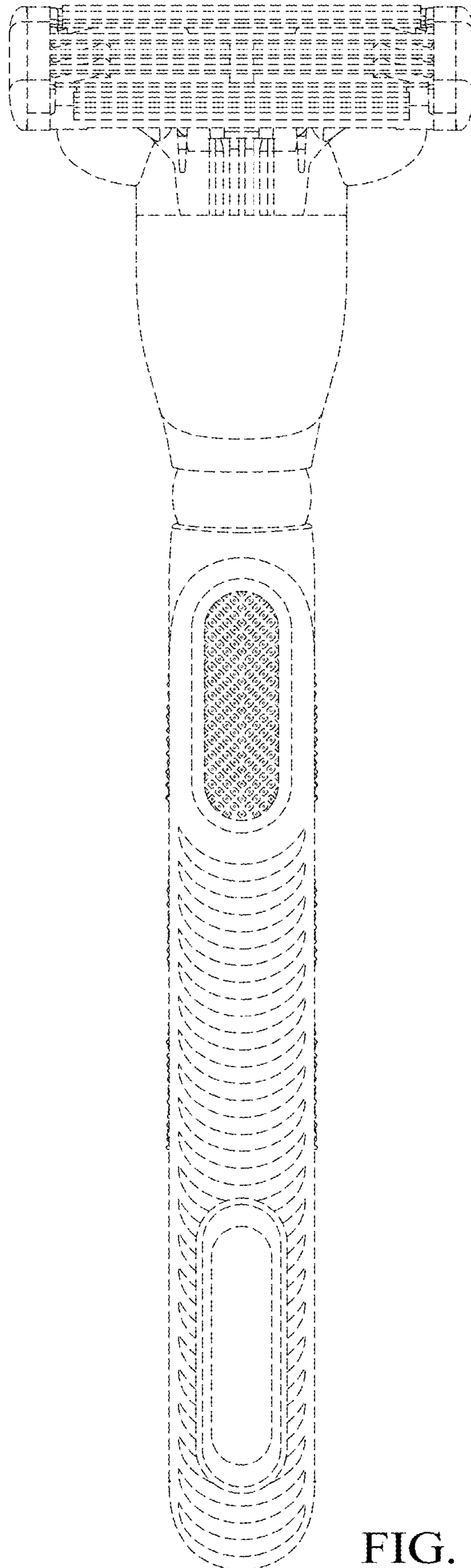


FIG. 2

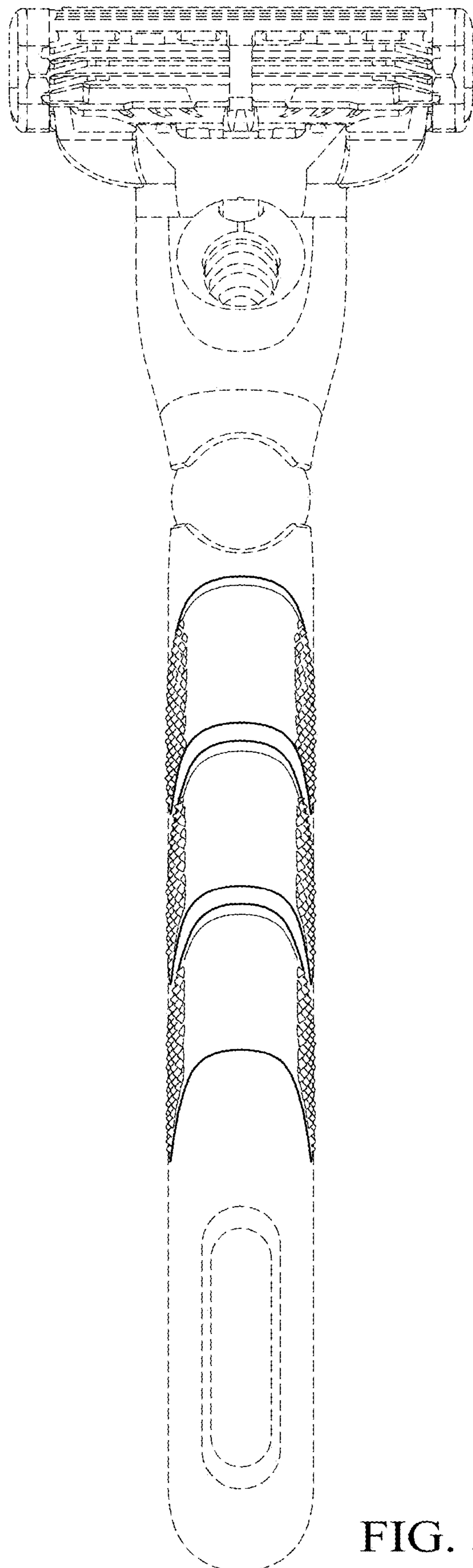


FIG. 3

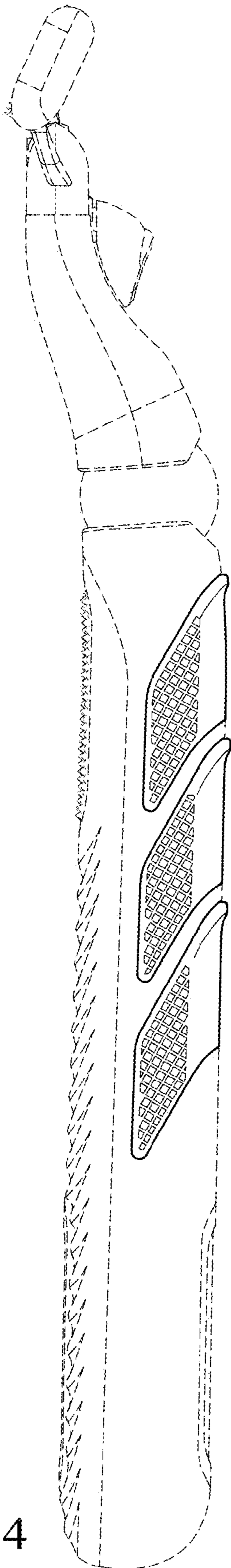


FIG. 4

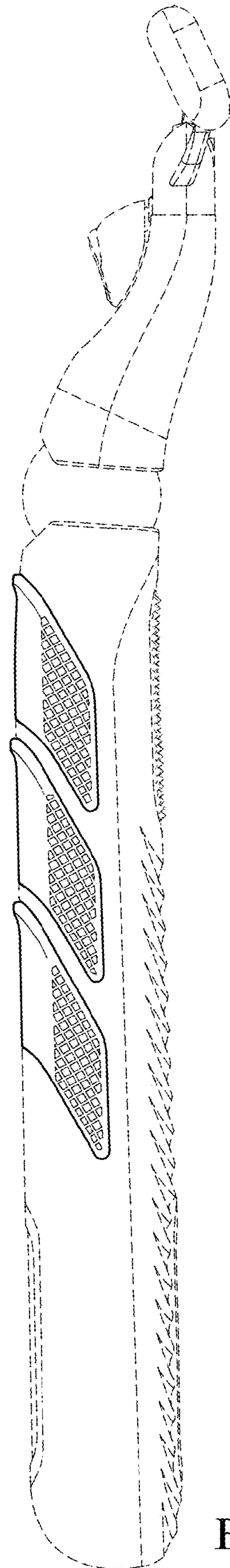


FIG. 5

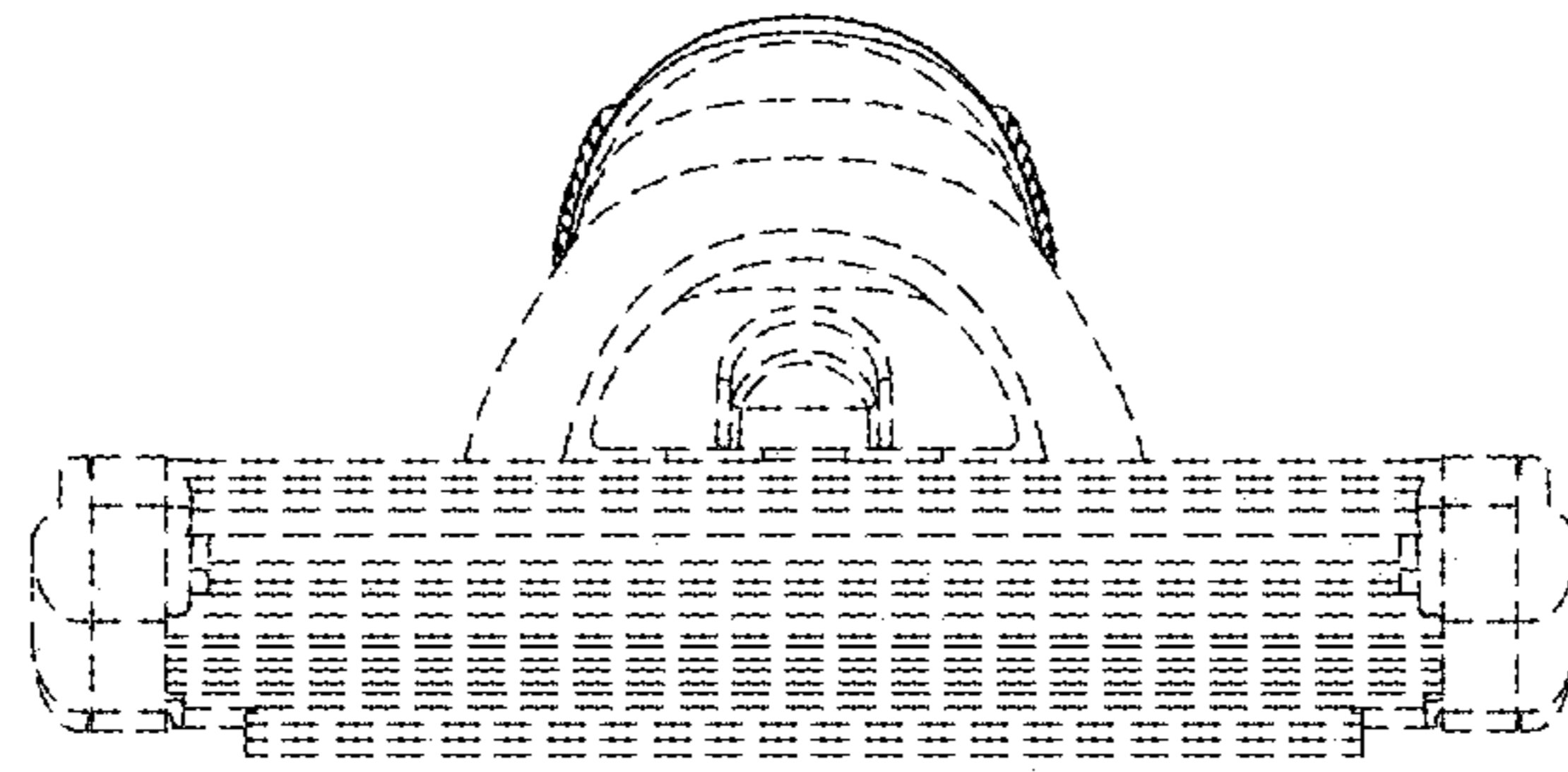


FIG. 6

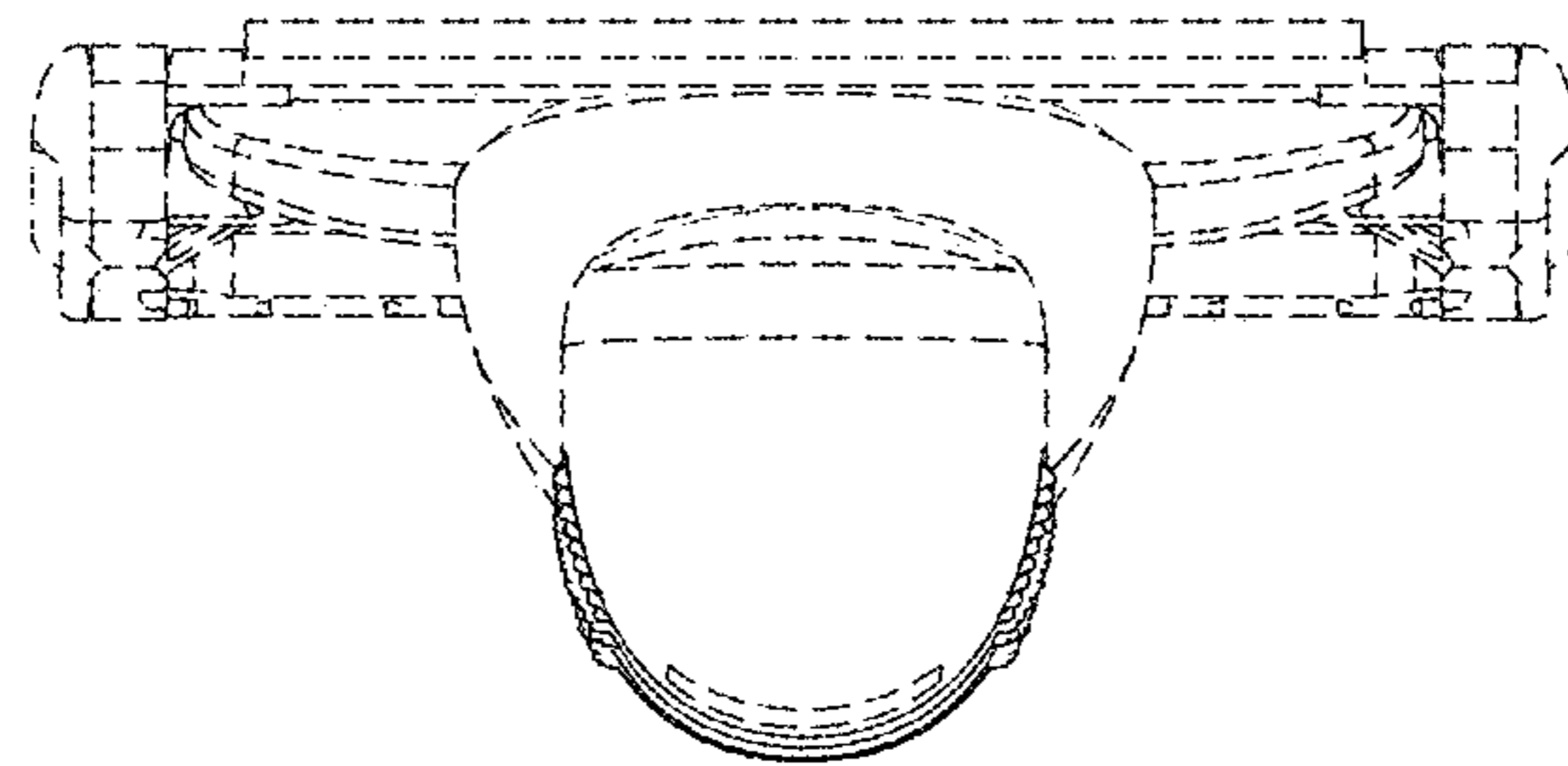


FIG. 7

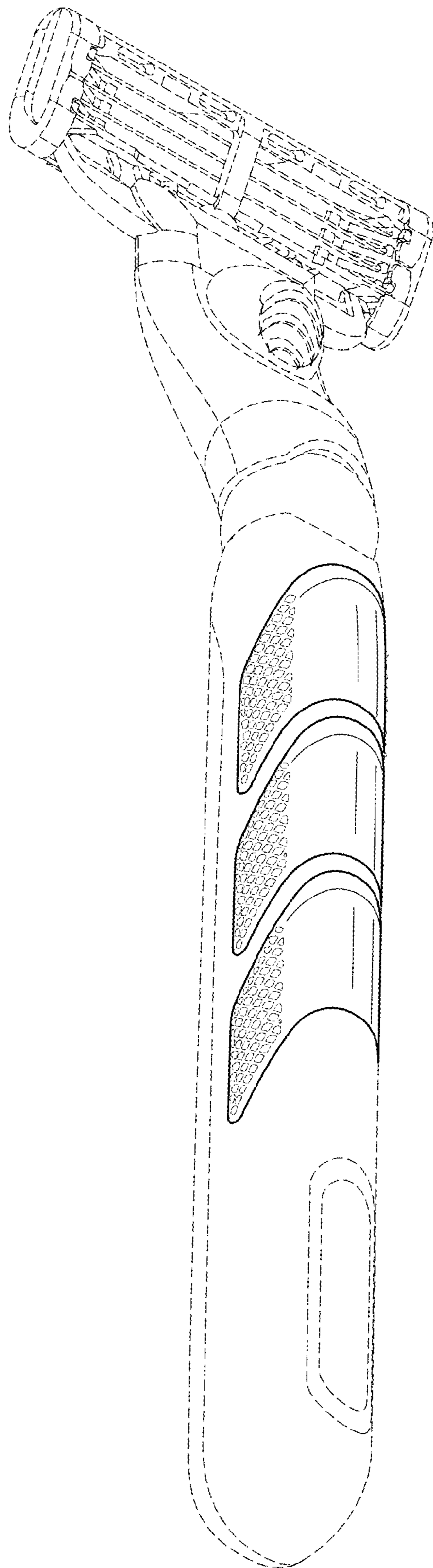


FIG. 8



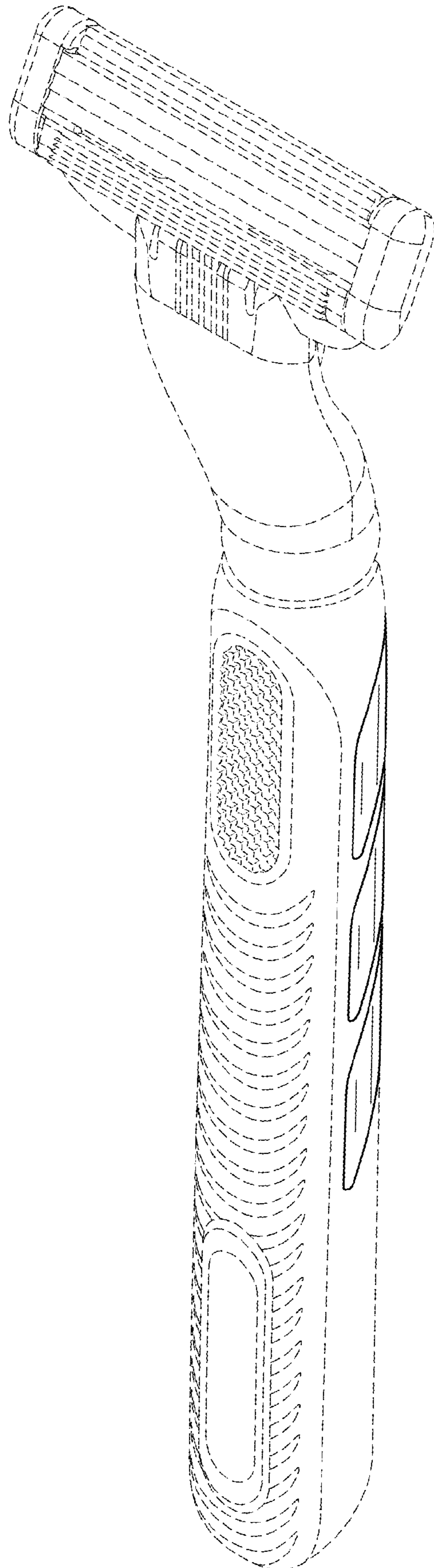


FIG. 9

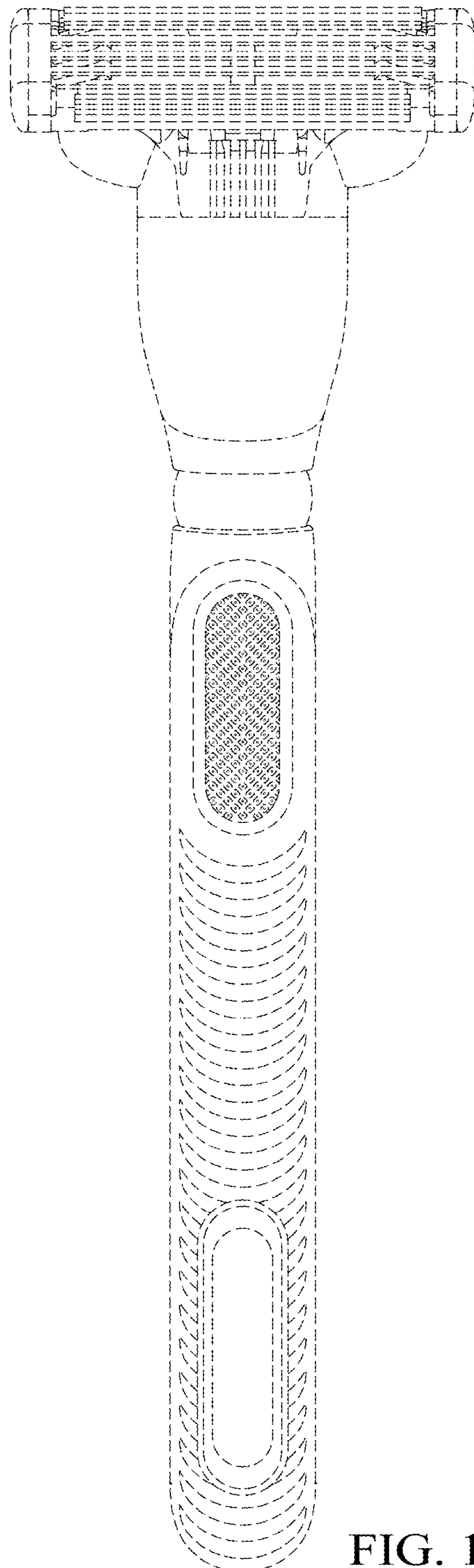


FIG. 10

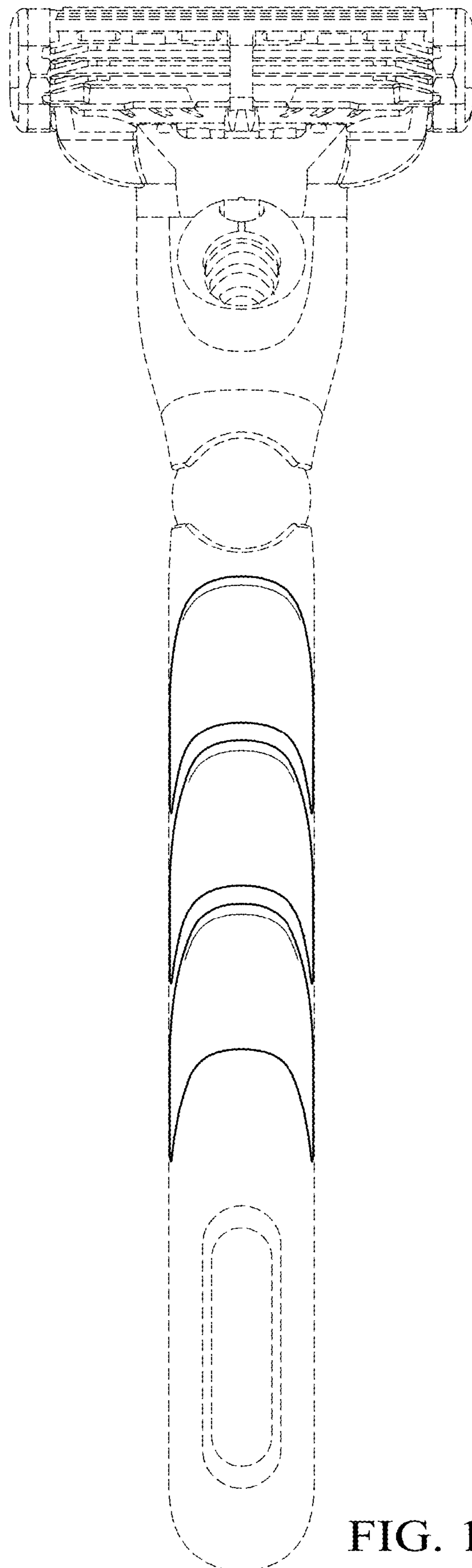


FIG. 11

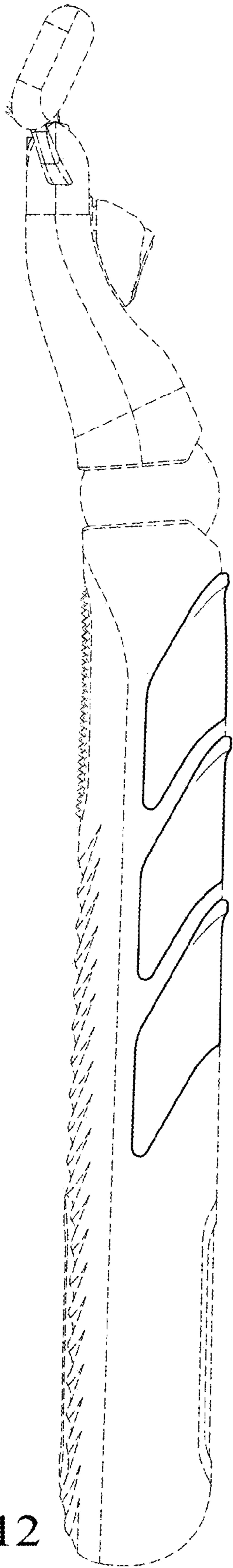


FIG. 12

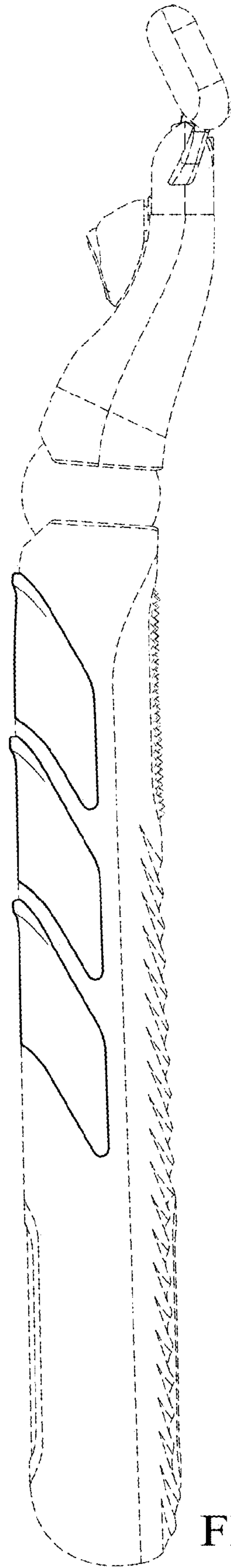


FIG. 13

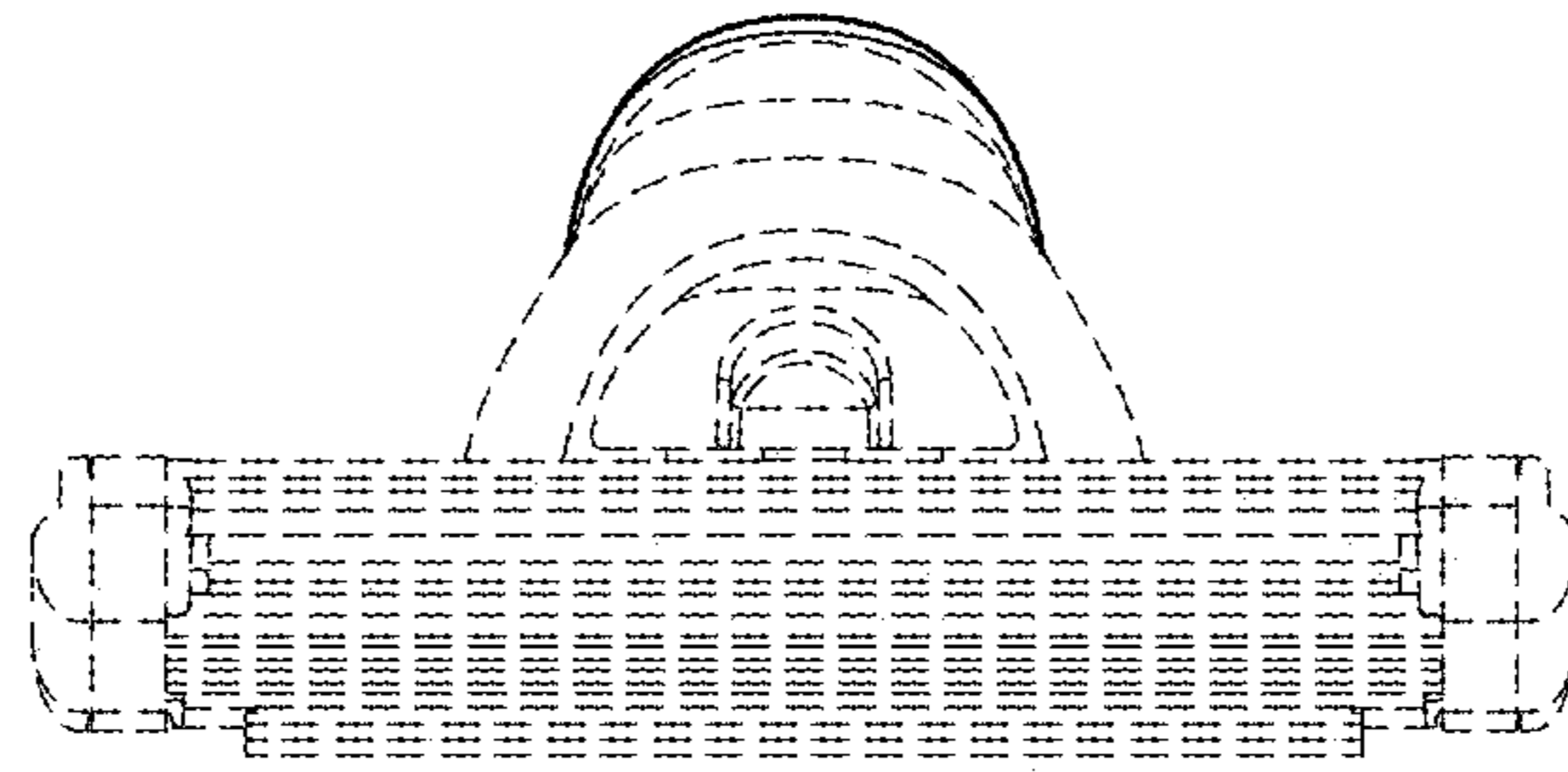


FIG. 14

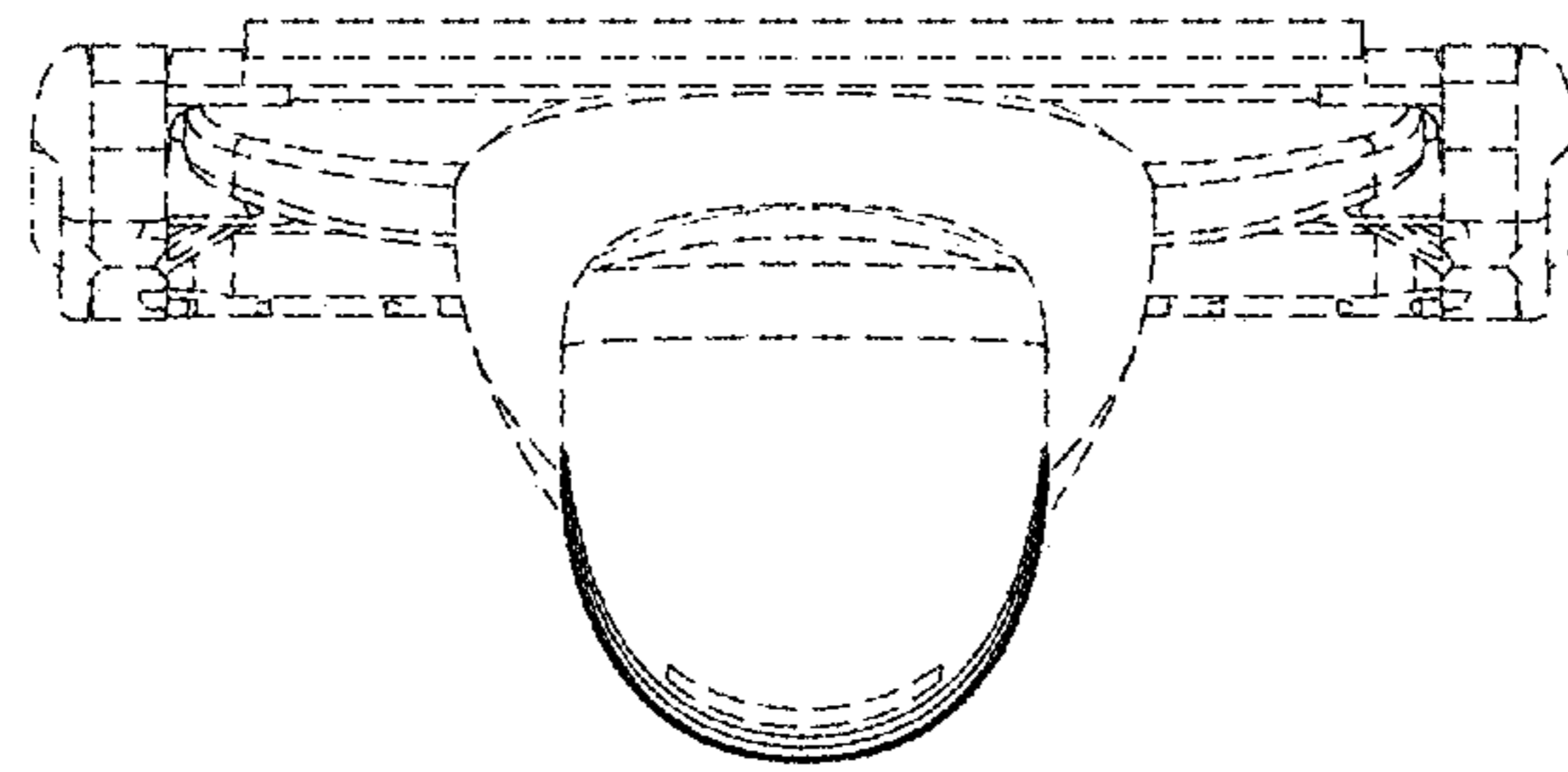


FIG. 15

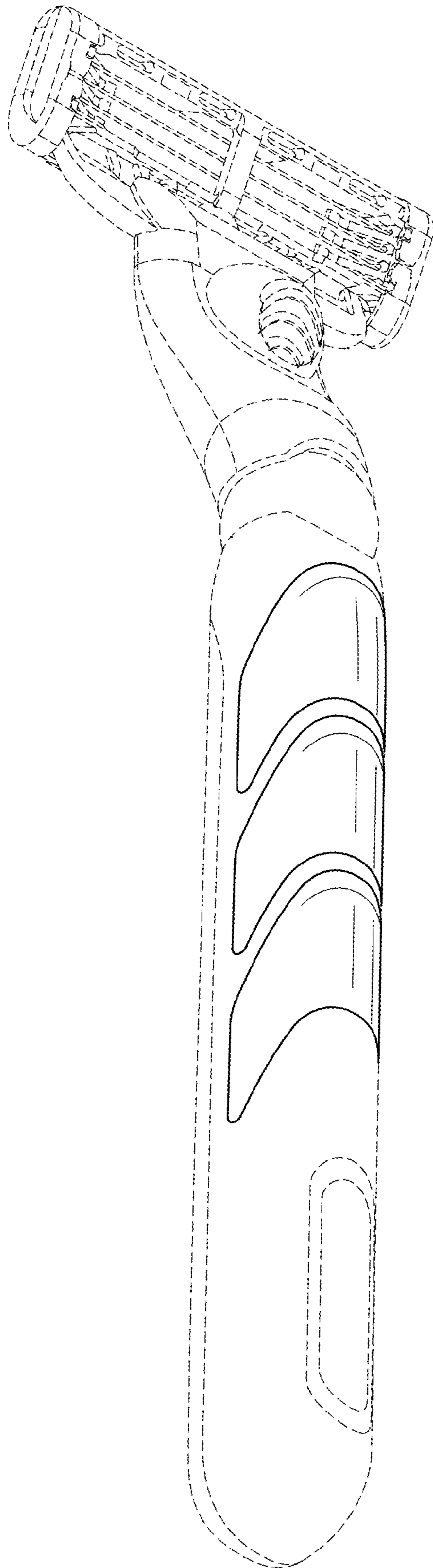


FIG. 16