



US00D874727S

(12) **United States Design Patent** (10) **Patent No.:** **US D874,727 S**
Washington et al. (45) **Date of Patent:** **** Feb. 4, 2020**

(54) **RAZOR CARTRIDGE**
(71) Applicant: **The Gillette Company LLC**, Boston, MA (US)
(72) Inventors: **Jack Anthony Washington**, Mendon, MA (US); **Matthew Michael Long**, Methuen, MA (US)
(73) Assignee: **The Gillette Company LLC**, Boston, MA (US)
(**) Term: **15 Years**
(21) Appl. No.: **29/623,712**
(22) Filed: **Oct. 26, 2017**
(51) **LOC (12) Cl.** **28-03**
(52) **U.S. Cl.**
USPC **D28/47**
(58) **Field of Classification Search**
USPC D28/45-48
CPC B26B 21/00-06; B26B 21/08-227; B26B 21/24-28; B26B 21/30-38; B26B 21/40-4093; B26B 21/52-528
See application file for complete search history.

(56) **References Cited**
U.S. PATENT DOCUMENTS
D601,753 S * 10/2009 Cataudella D28/47
D602,634 S * 10/2009 Cataudella D28/46
D604,904 S * 11/2009 Watson D28/47
D608,501 S * 1/2010 Wain D28/47
D612,991 S 3/2010 Cataudella
D630,797 S * 1/2011 Witkus D28/47
D633,254 S * 2/2011 Witkus D28/47
D658,809 S * 5/2012 Jessemey D28/47
D661,425 S * 6/2012 Cataudella D28/46
D661,426 S * 6/2012 Wain D28/47
D665,948 S * 8/2012 Jessemey D28/47
D741,009 S * 10/2015 Bruno D28/47

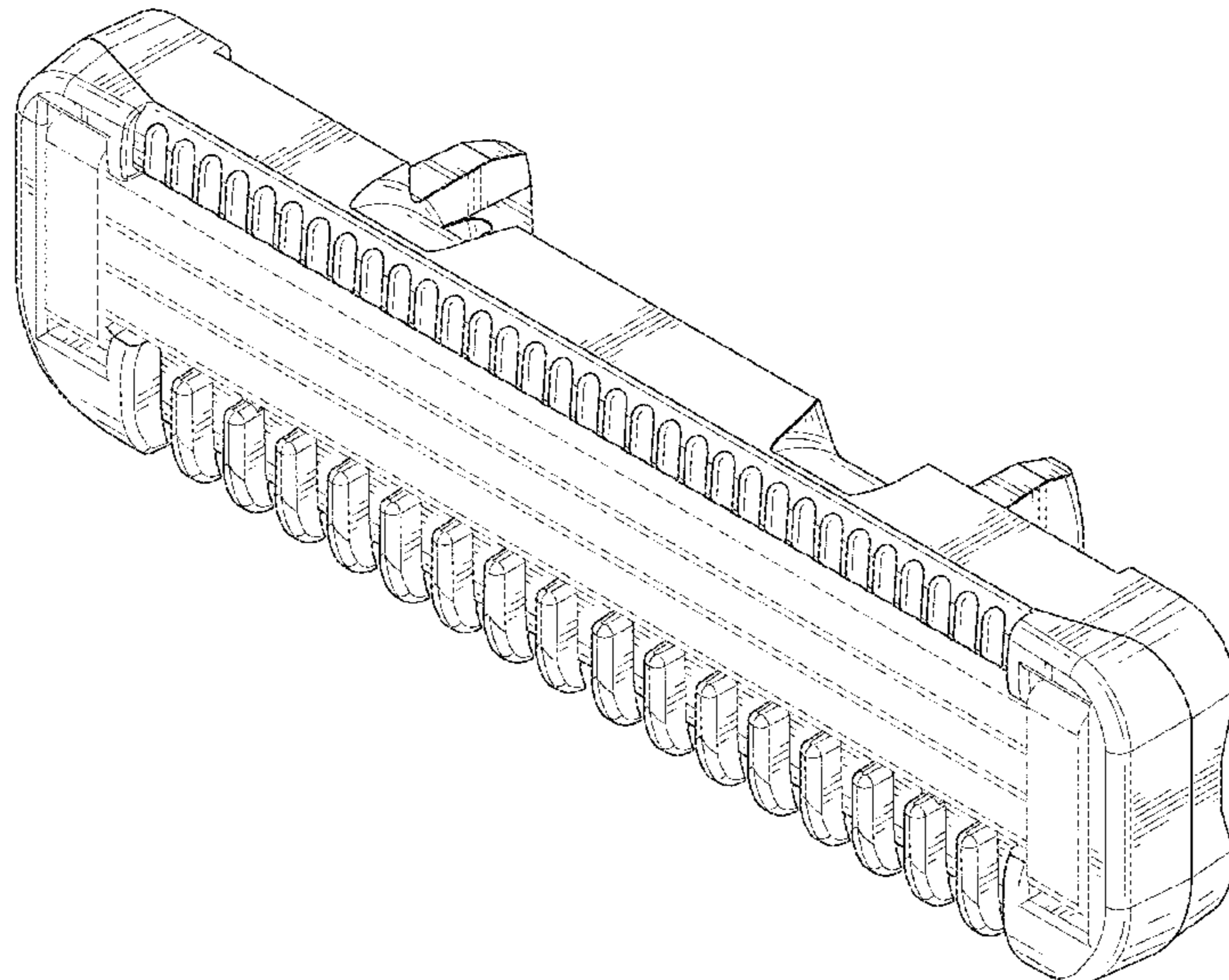
(Continued)

Primary Examiner — Jennifer Rivard
(74) *Attorney, Agent, or Firm* — Joanne N. Pappas; Kevin C. Johnson

(57) **CLAIM**
The ornamental design for a razor cartridge, as shown and described.

DESCRIPTION
FIG. 1 is a front perspective view of a design of a razor cartridge of the present invention;
FIG. 2 is a front view thereof;
FIG. 3 is a back view thereof;
FIG. 4 is a right side view thereof;
FIG. 5 is a left side view thereof;
FIG. 6 is a top view thereof;
FIG. 7 is a bottom view thereof;
FIG. 8 is rear perspective view thereof;
FIG. 9 is a front perspective view of a second design for a razor cartridge of the present invention;
FIG. 10 is a front view thereof;
FIG. 11 is a back view thereof;
FIG. 12 is a right side view thereof;
FIG. 13 is a left side view thereof;
FIG. 14 is top view thereof;
FIG. 15 is a bottom view thereof;
FIG. 16 is a rear perspective view thereof;
FIG. 17 is a perspective view of a third design for a razor cartridge of the present invention;
FIG. 18 is a front view thereof;
FIG. 19 is a back view thereof;
FIG. 20 is a right side view thereof;
FIG. 21 is a left side view thereof;
FIG. 22 is a top view thereof;
FIG. 23 is a bottom view thereof; and,
FIG. 24 is a rear perspective view thereof.
The broken lines illustrate portions of the razor cartridge and form no part of the claimed design.

1 Claim, 15 Drawing Sheets



(56)

References Cited

U.S. PATENT DOCUMENTS

D748,856 S * 2/2016 Mahony D28/47
D843,058 S * 3/2019 Fyfield D28/46

* cited by examiner

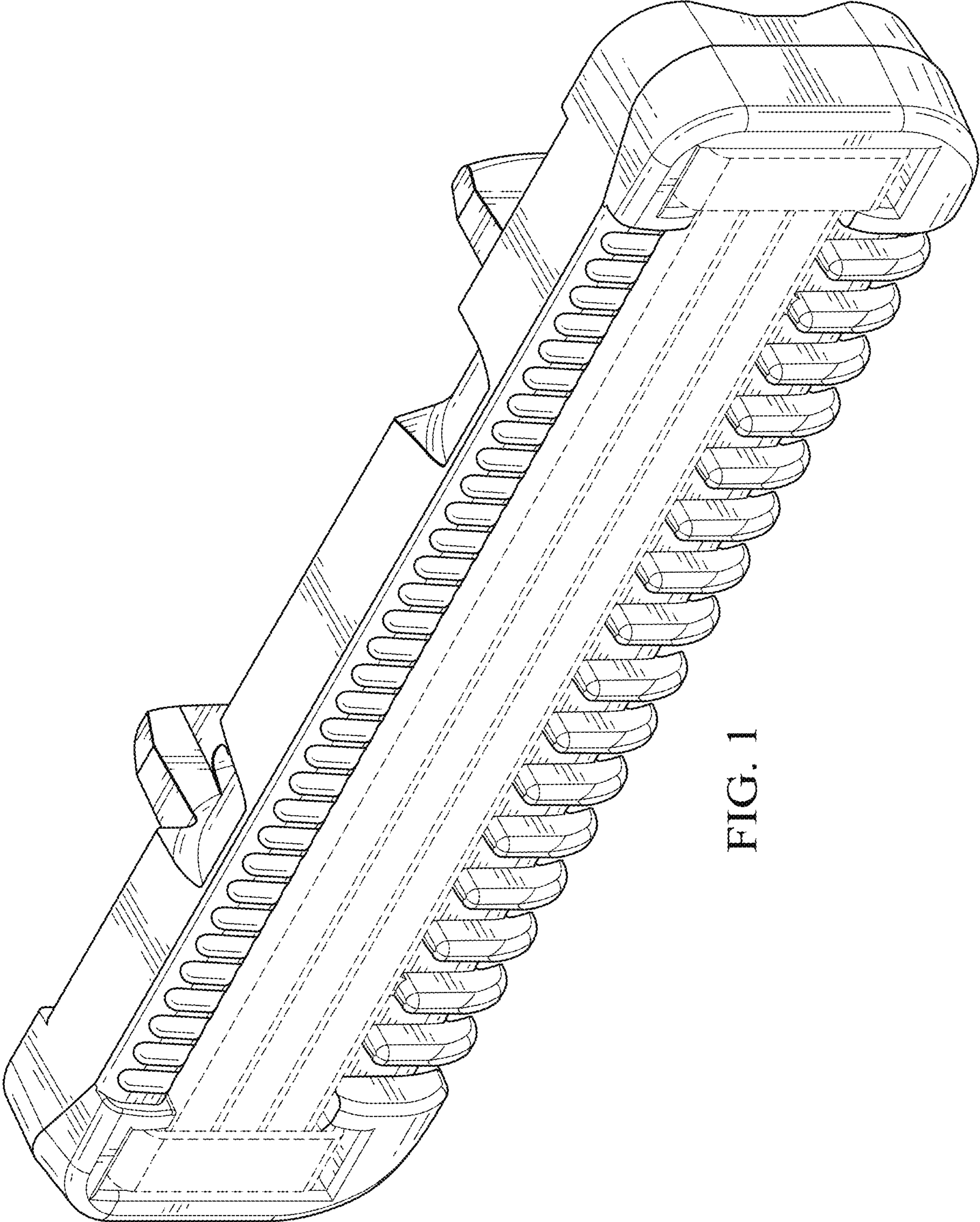


FIG. 1

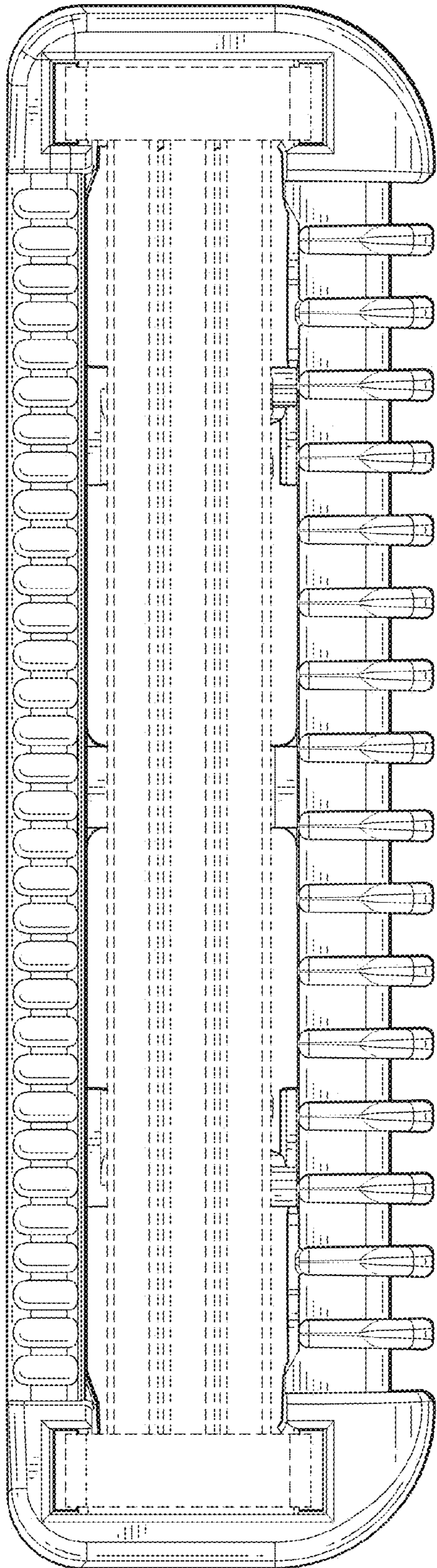


FIG. 2

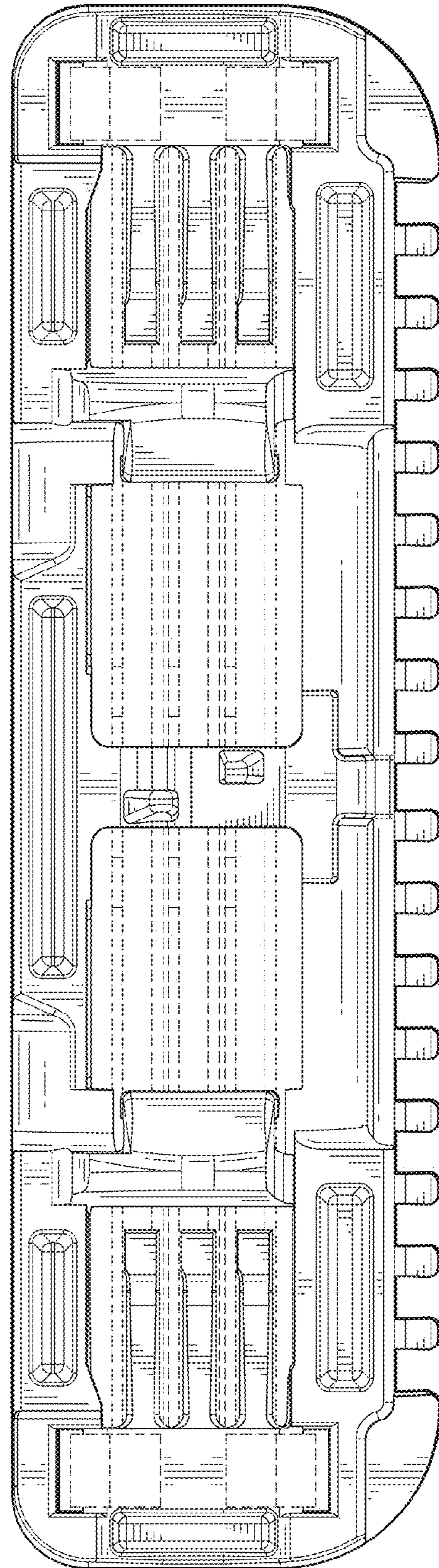


FIG. 3

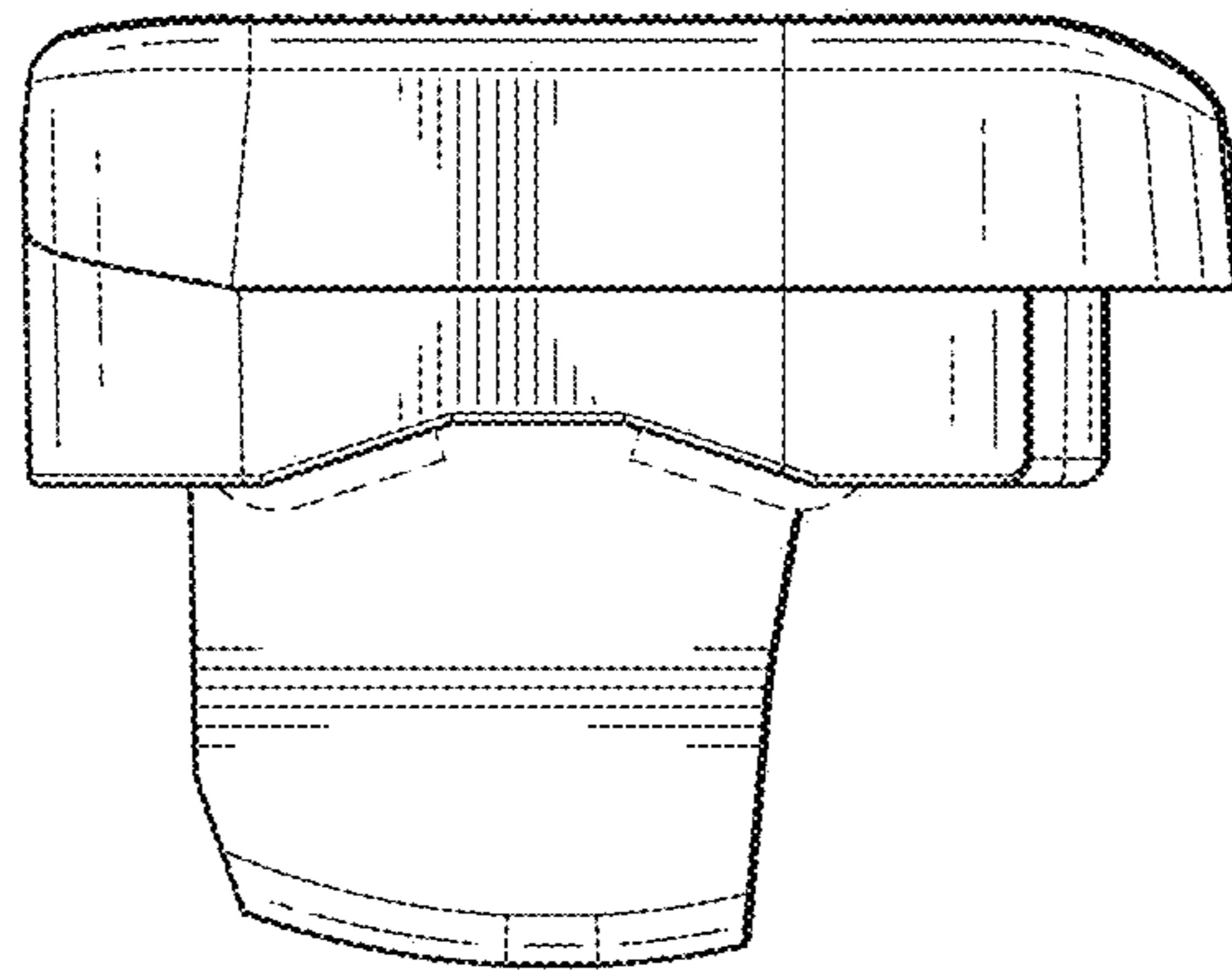


FIG. 5

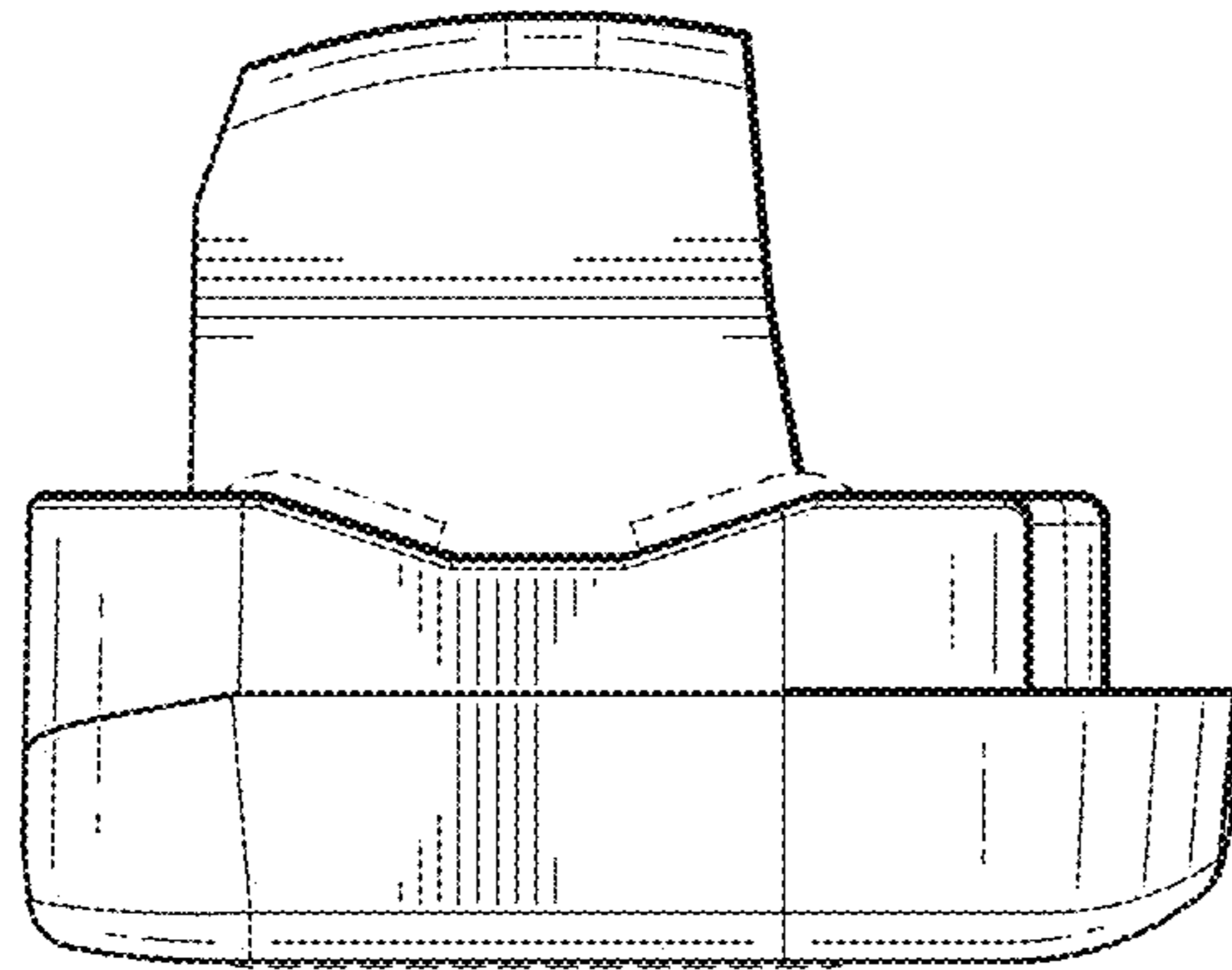


FIG. 4

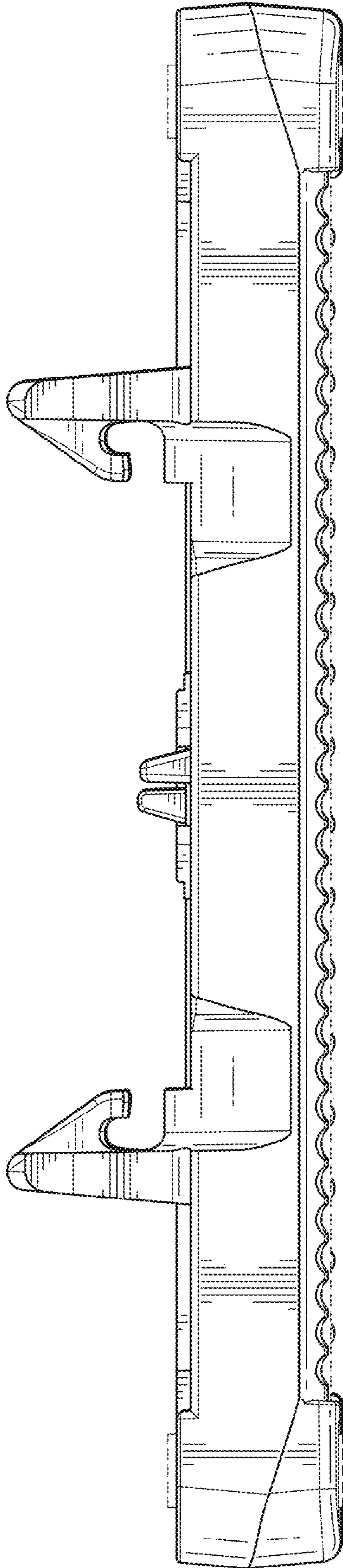


FIG. 6

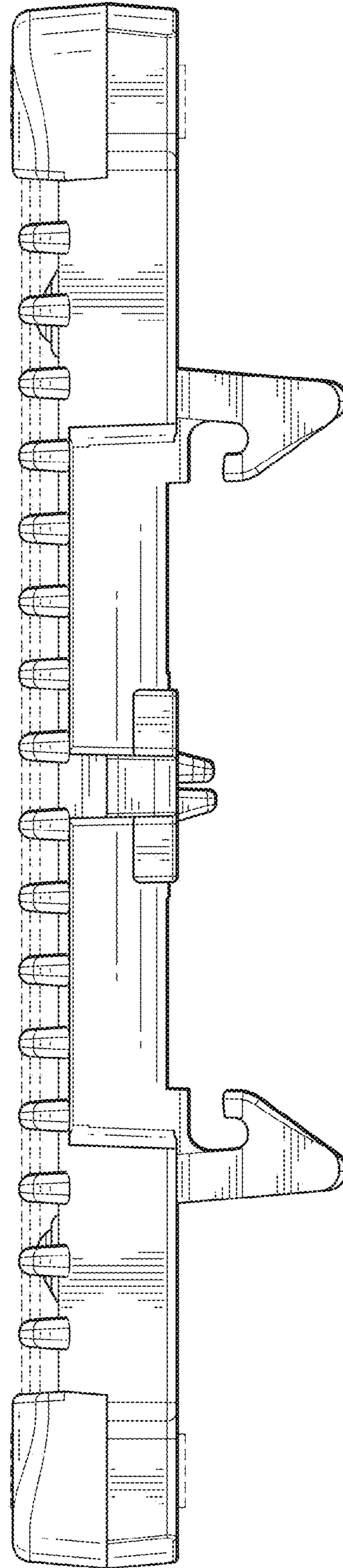


FIG. 7

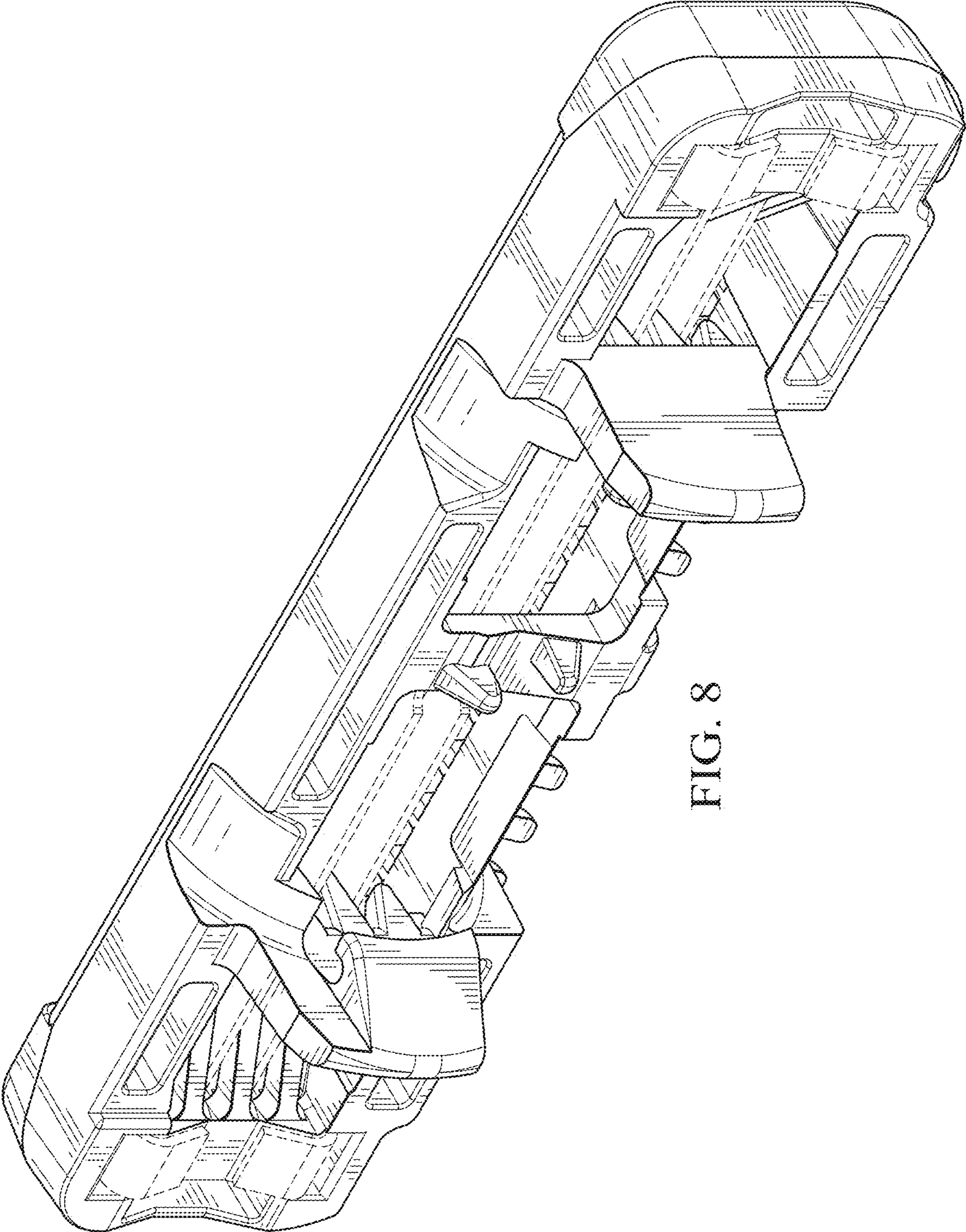


FIG. 8

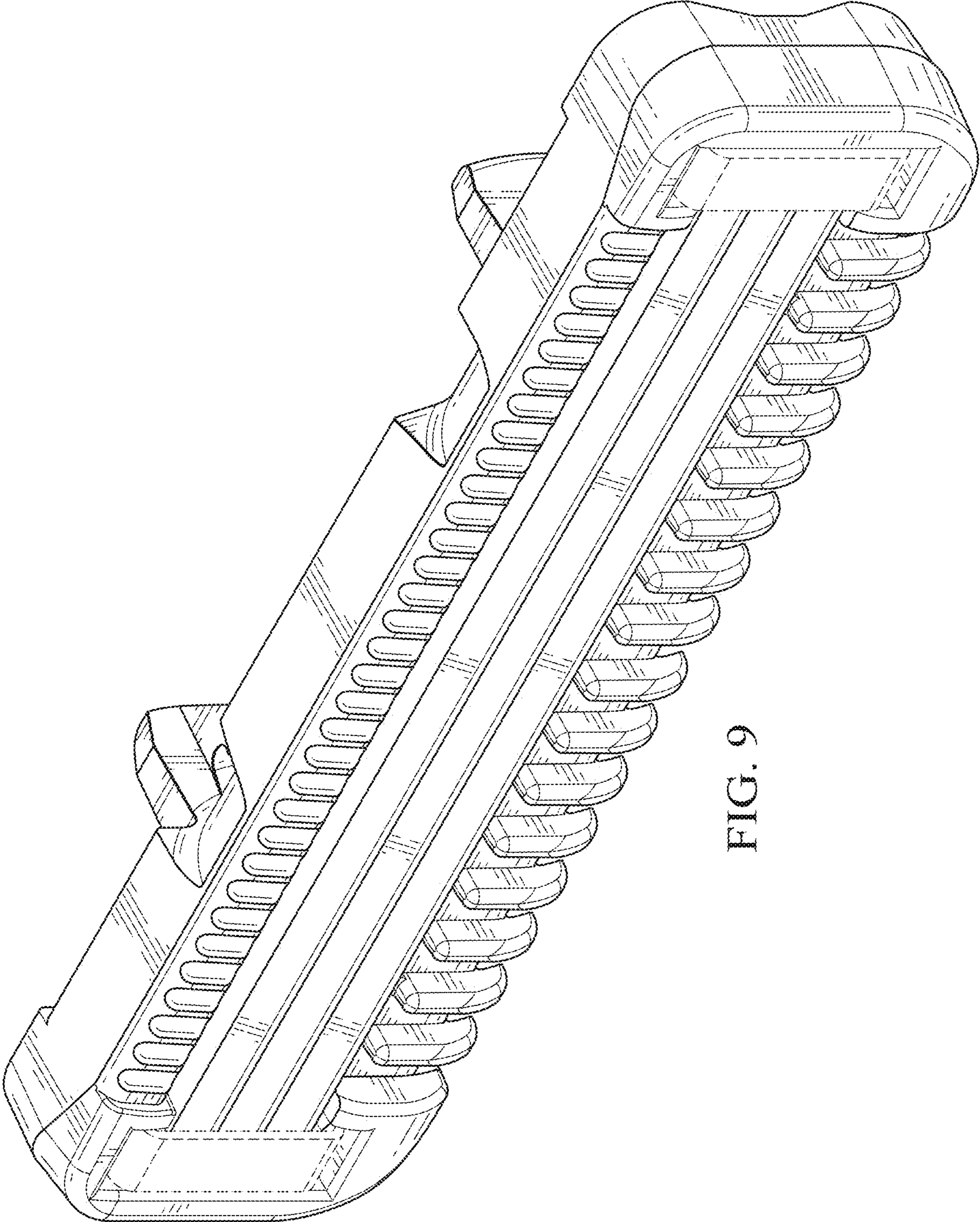


FIG. 9

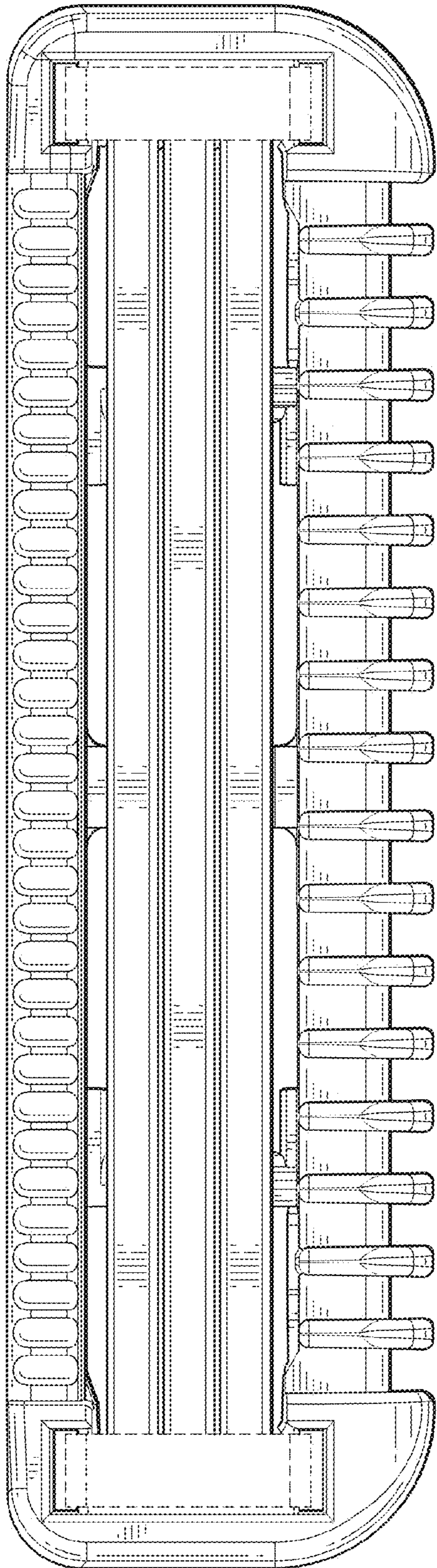


FIG. 10

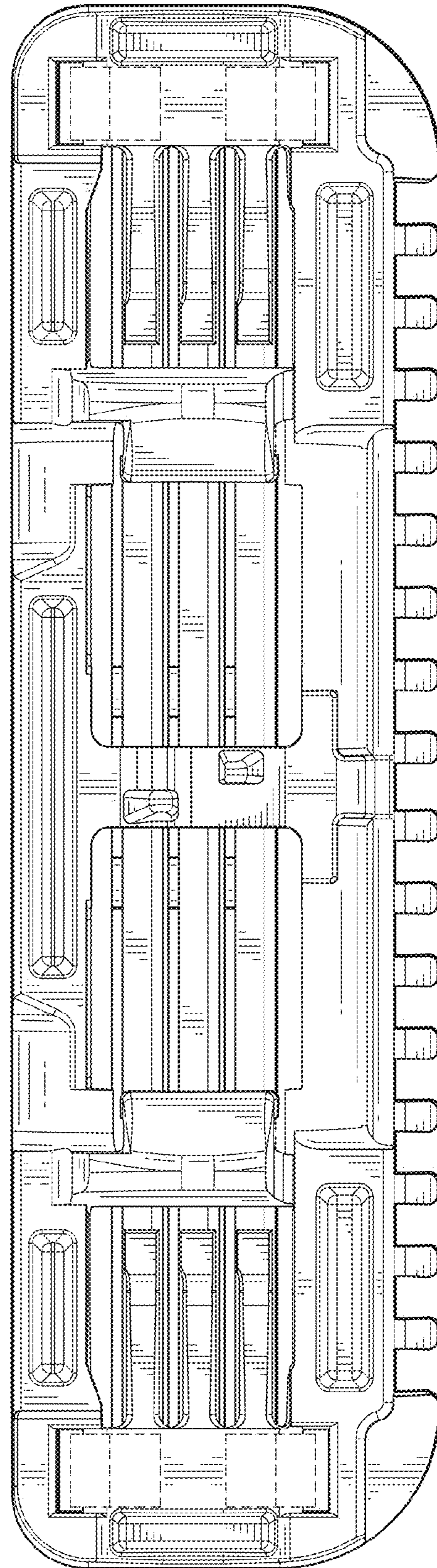


FIG. 11

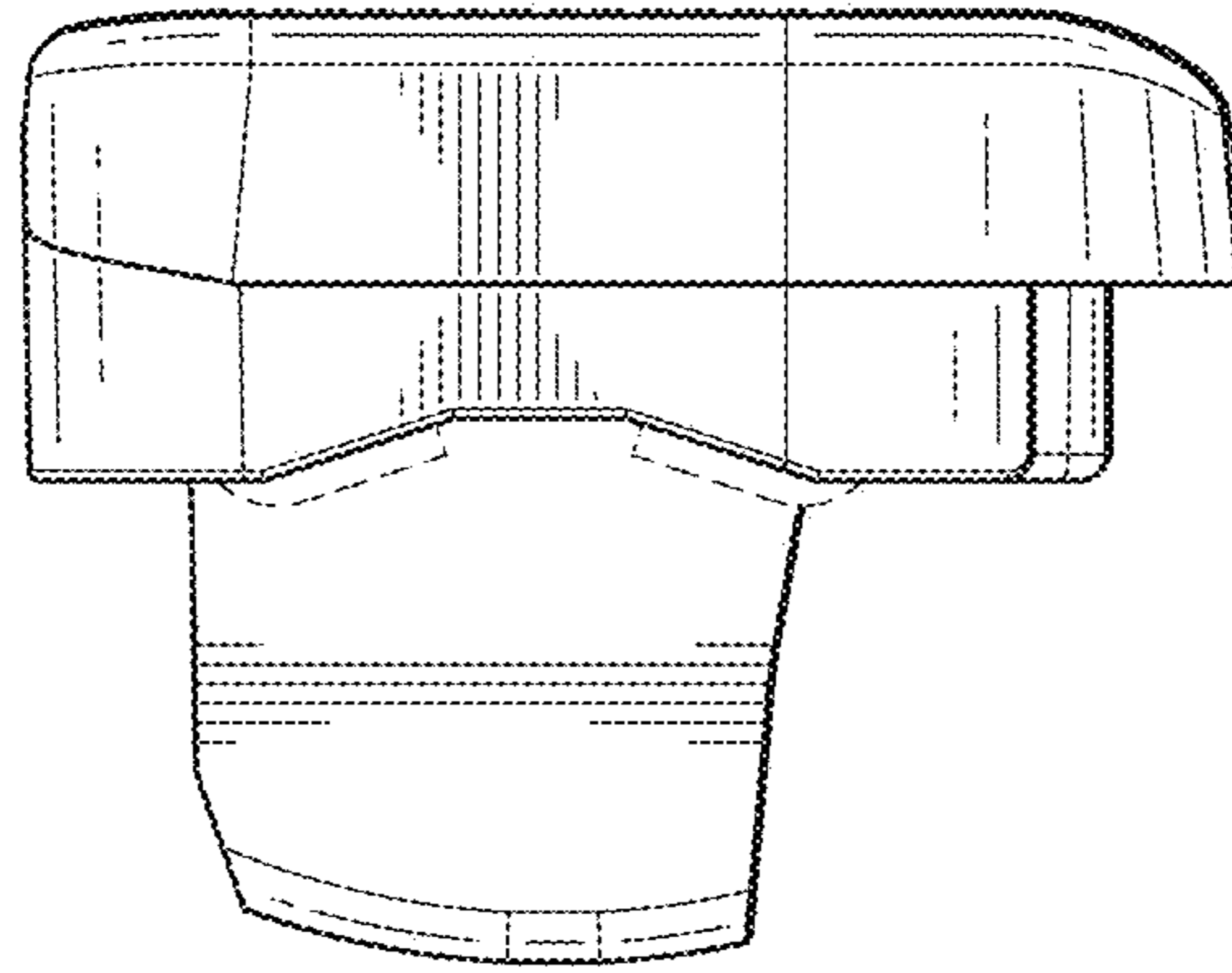


FIG. 13

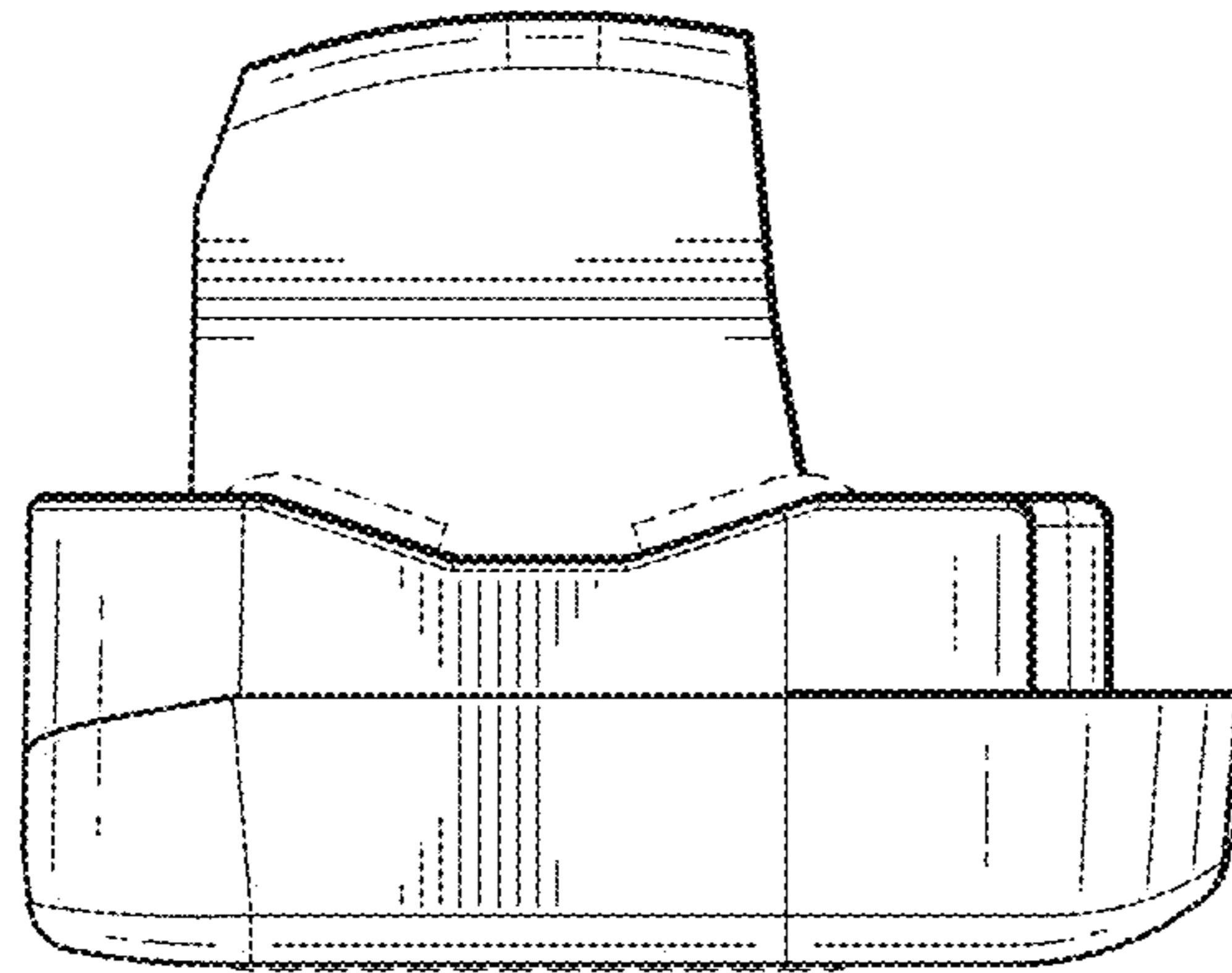


FIG. 12

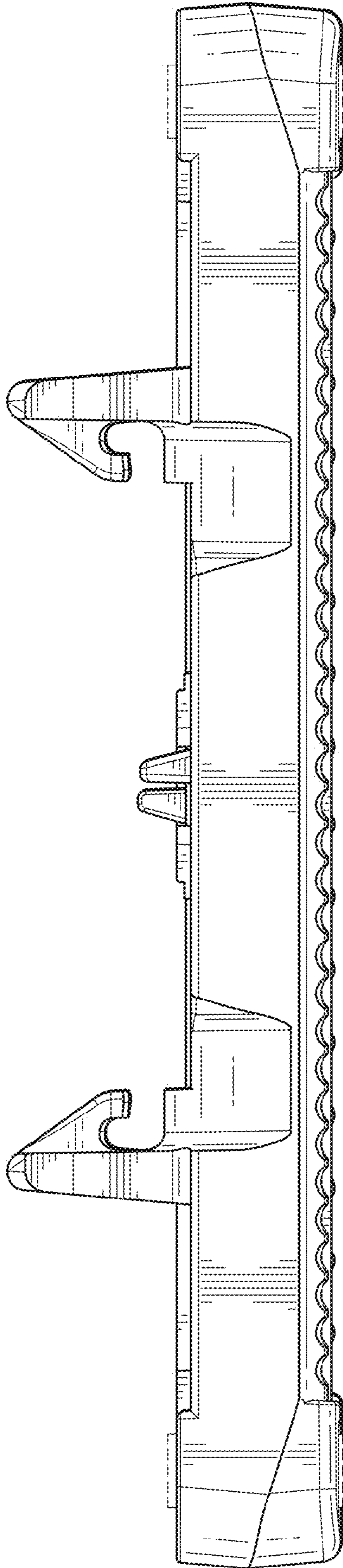


FIG. 14

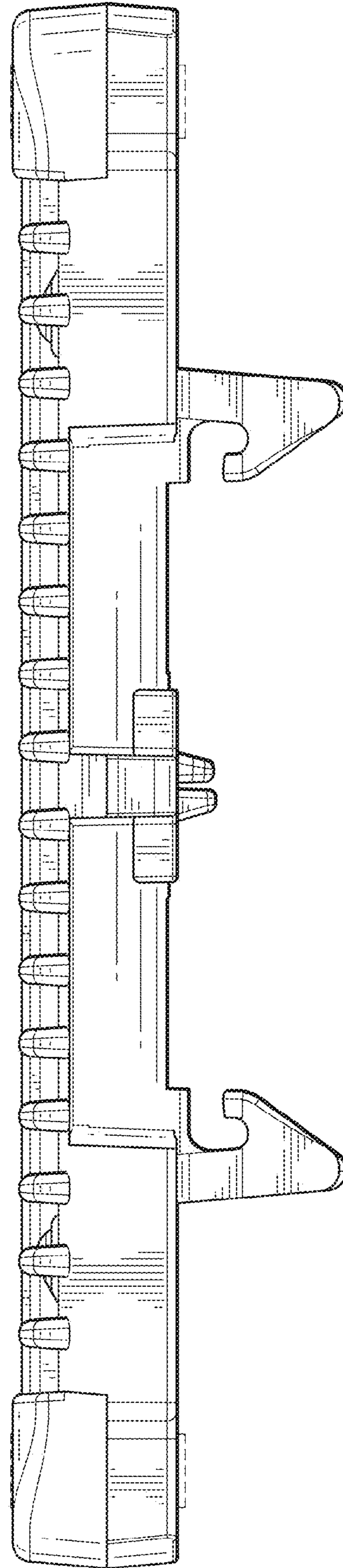


FIG. 15

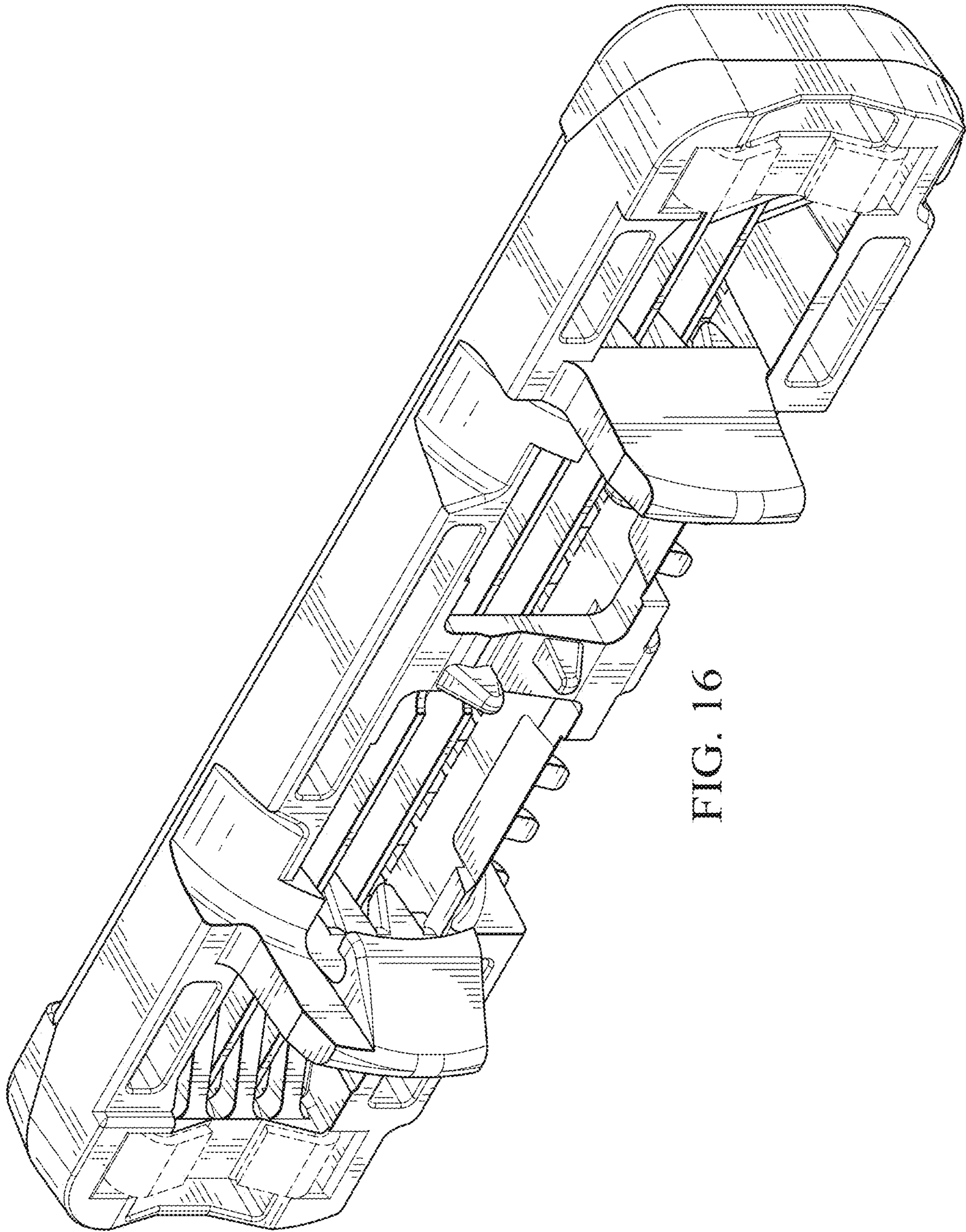


FIG. 16

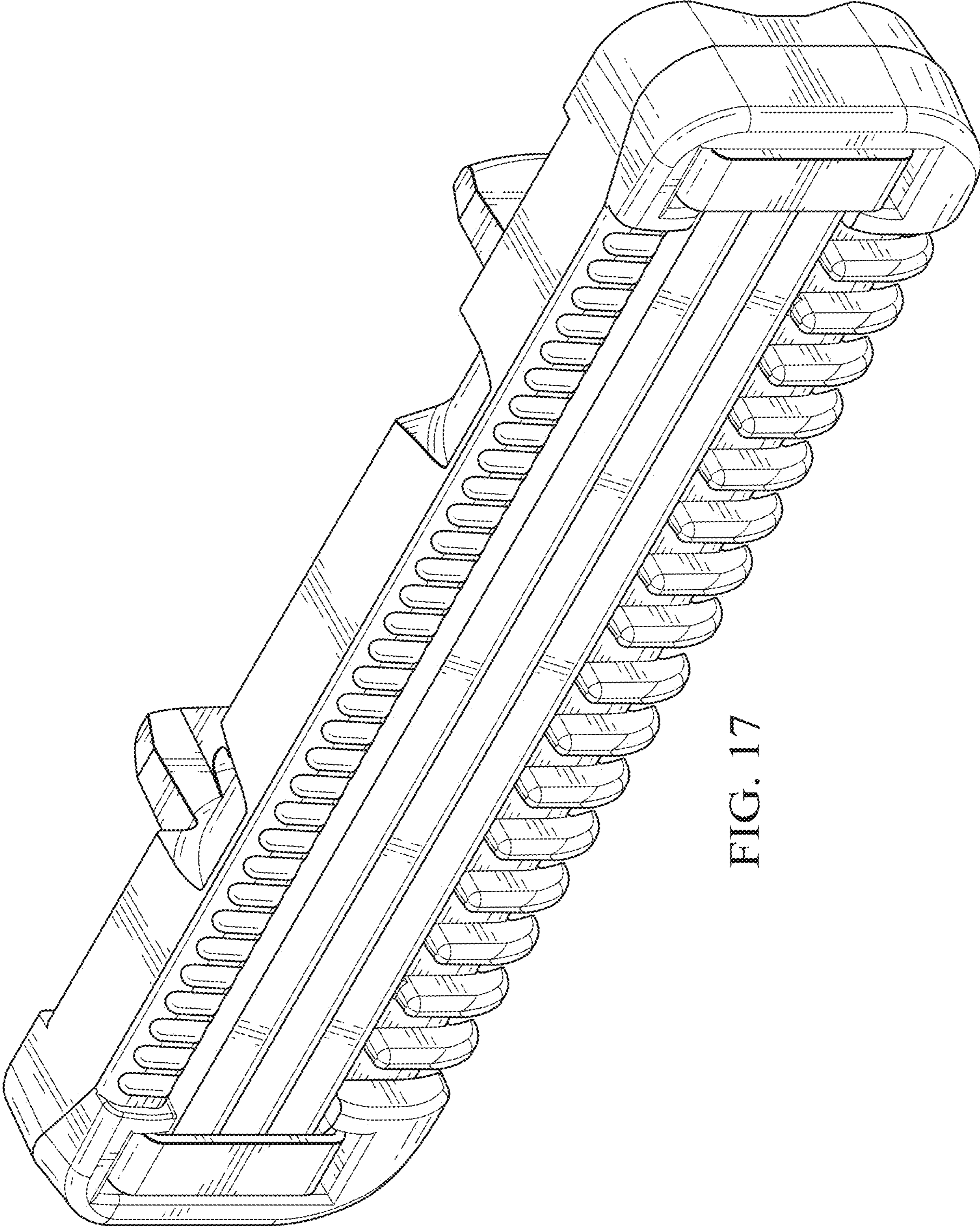


FIG. 17

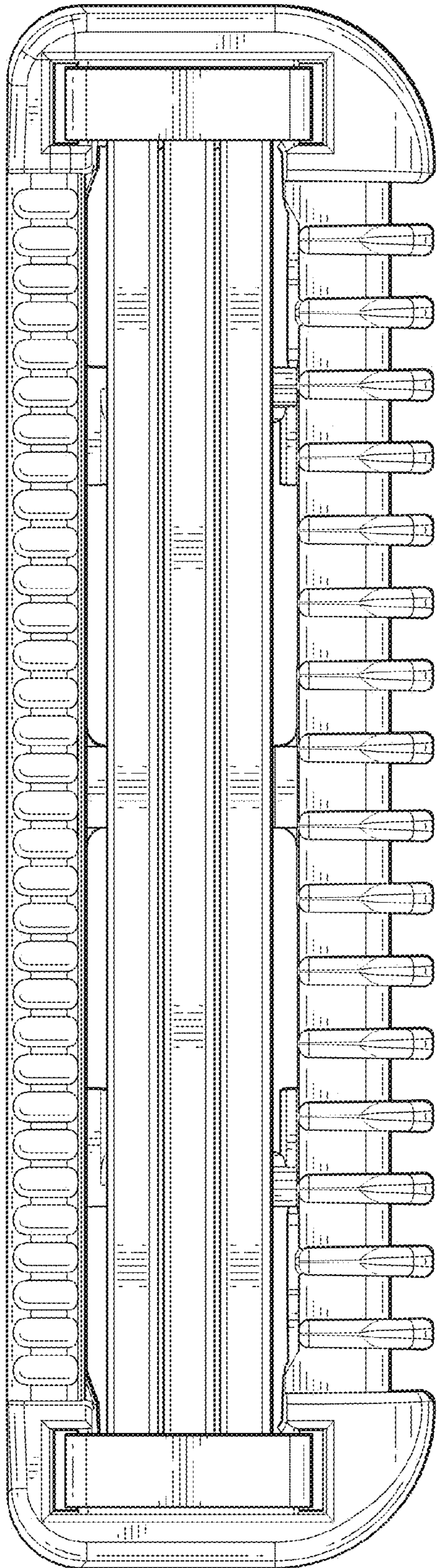


FIG. 18

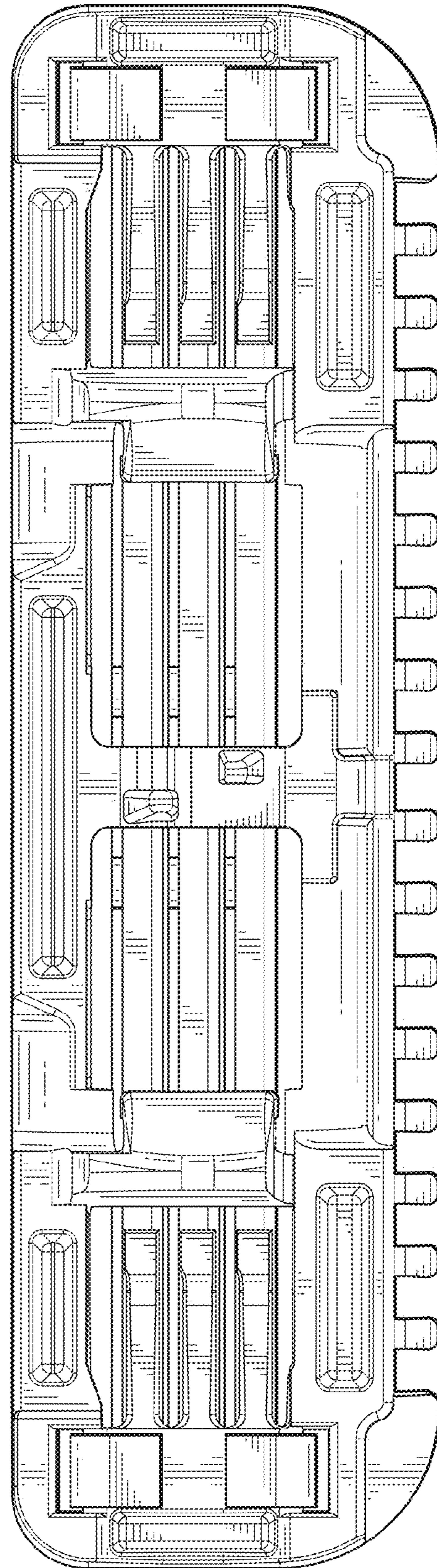


FIG. 19

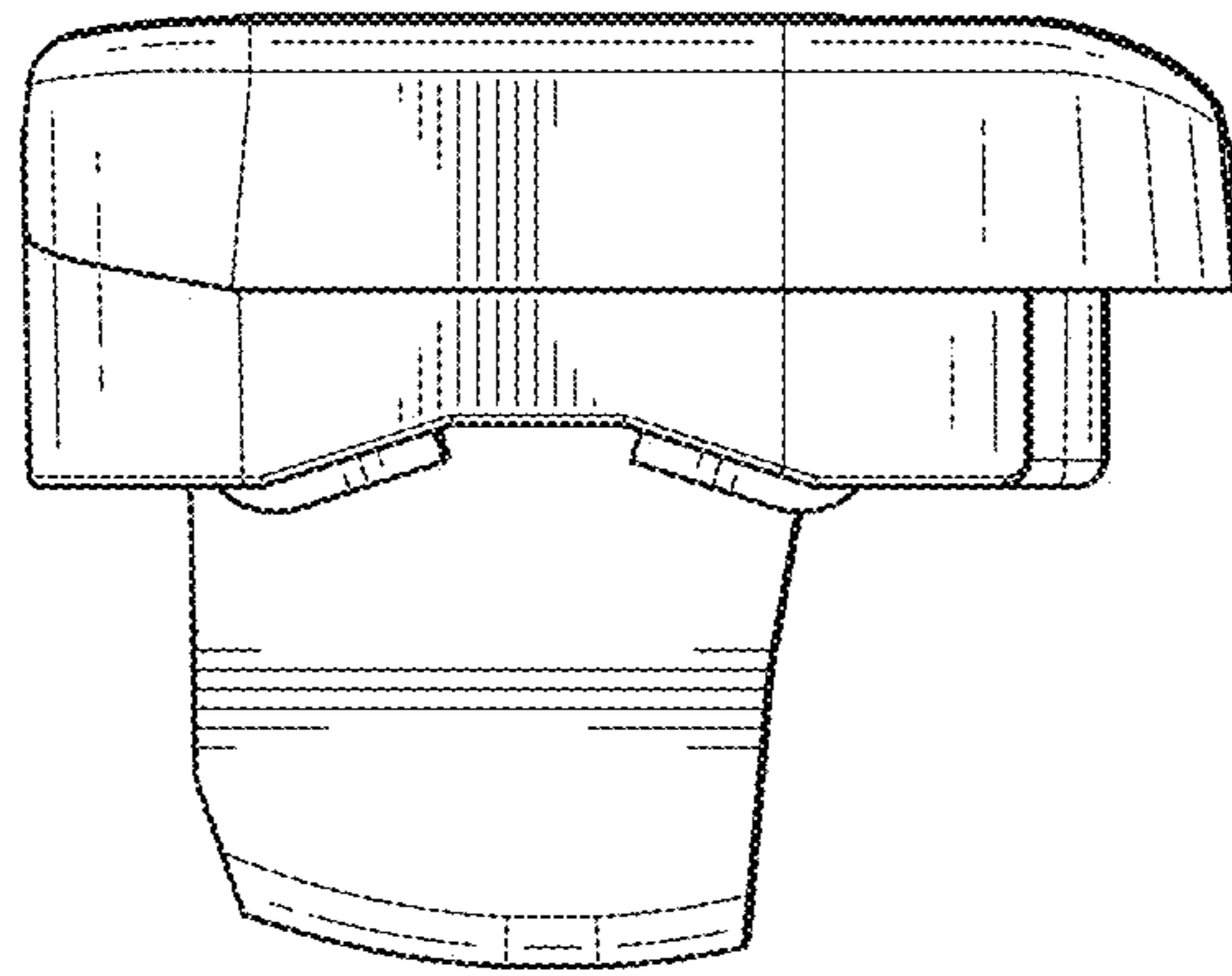


FIG. 21

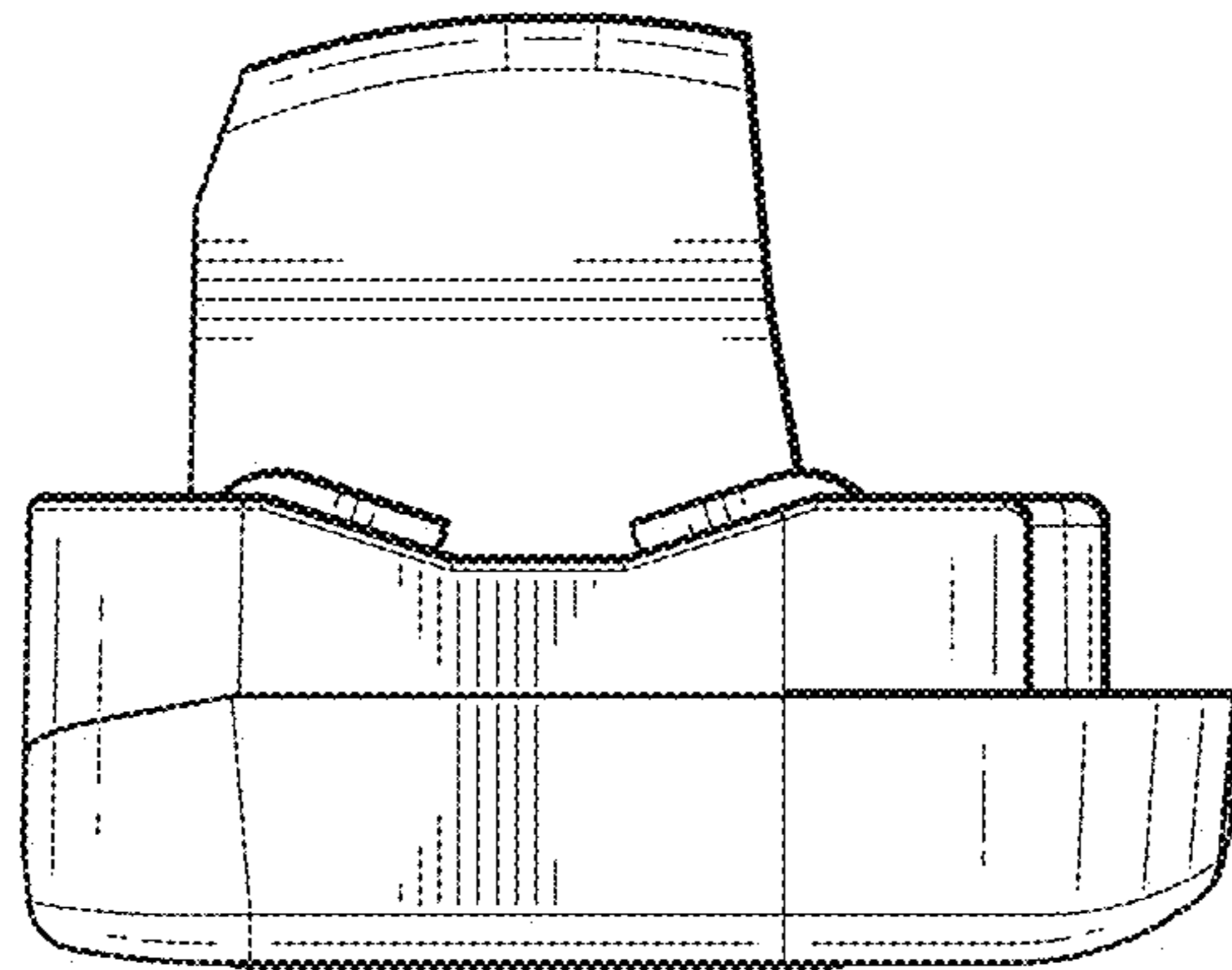


FIG. 20

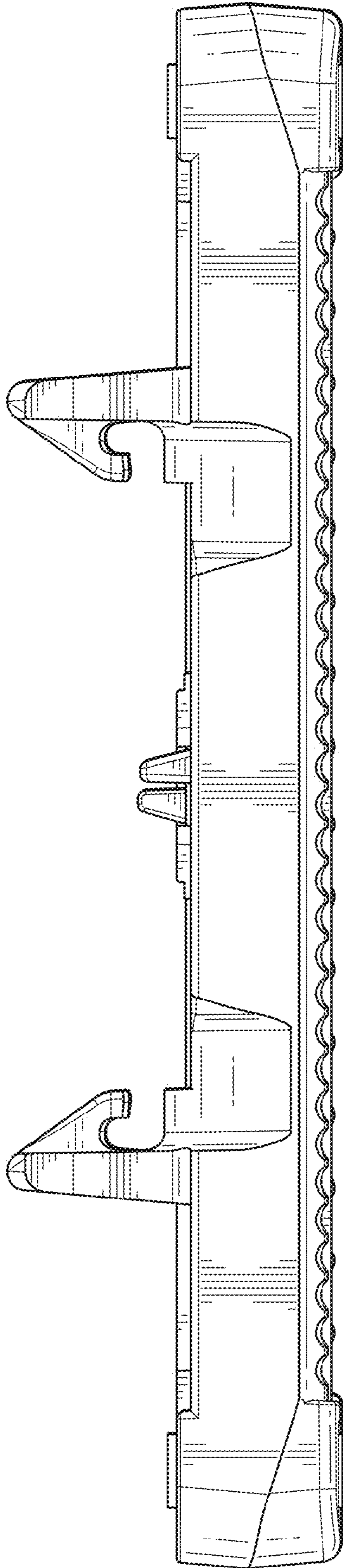


FIG. 22

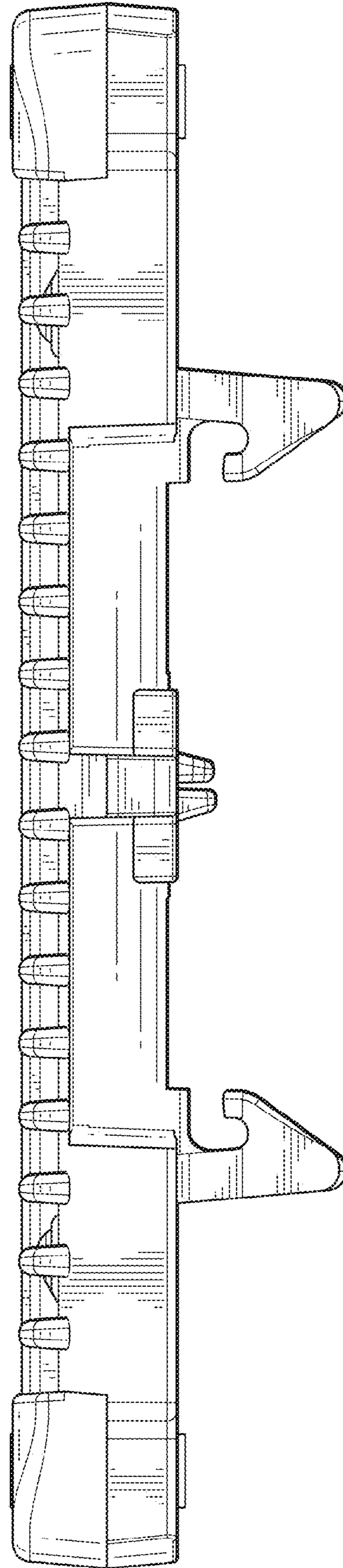


FIG. 23

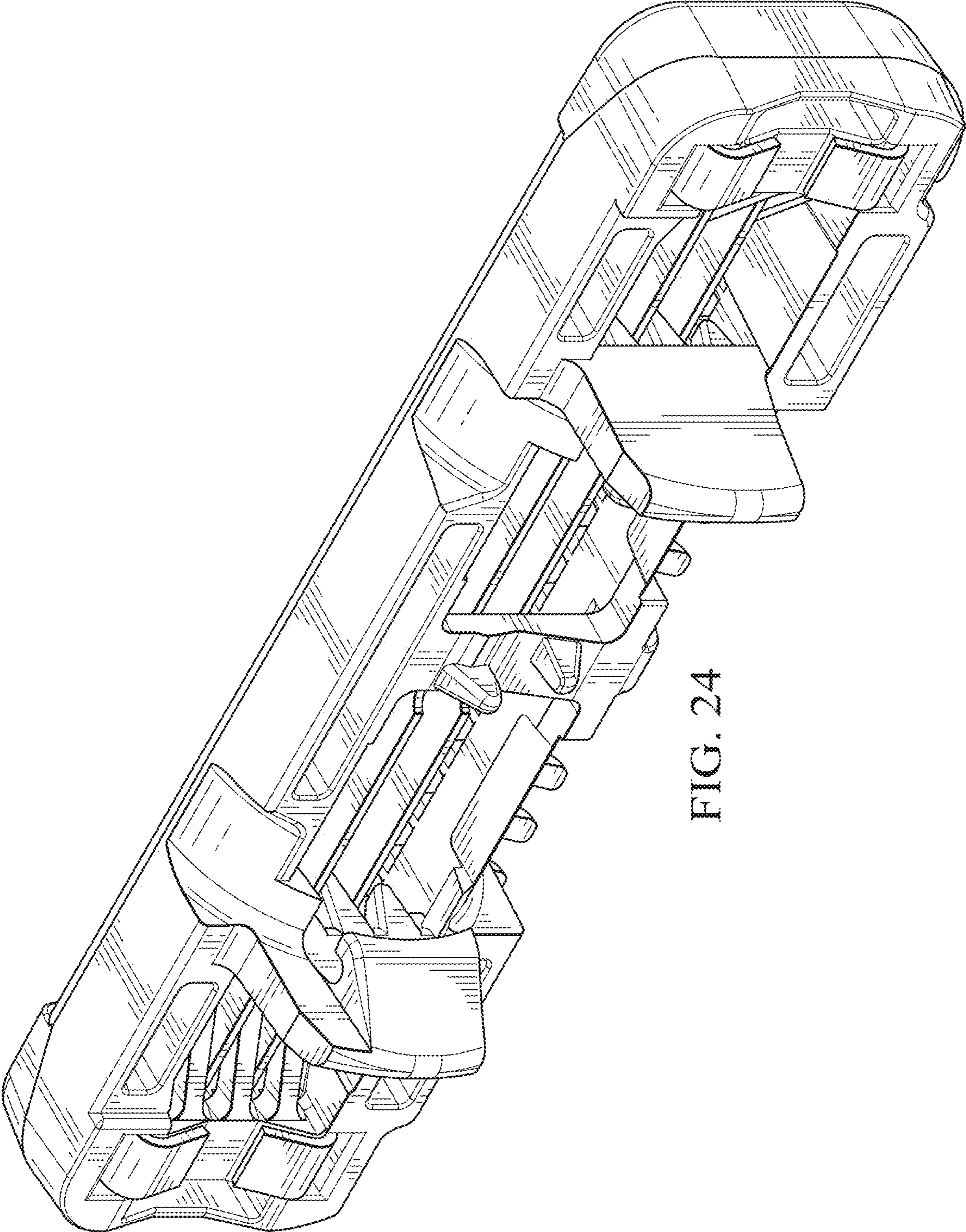


FIG. 24