



US00D874726S

(12) **United States Design Patent**
Everard

(10) **Patent No.:** **US D874,726 S**
(45) **Date of Patent:** **** Feb. 4, 2020**

(54) RAZOR	1,867,980 A	7/1932	Melka	B26B 21/446 30/41
(71) Applicant: ROCKWELL RAZORS CORPORATION, Toronto (CA)	1,869,860 A	8/1932	Natkiel	B26B 21/446 132/289
(72) Inventor: Gareth Joseph Everard, Toronto (CA)	1,871,010 A	8/1932	Robb	B26B 21/18 30/346.61
(73) Assignee: ROCKWELL RAZORS CORPORATION, Toronto, ON (CA)	1,950,789 A *	3/1934	Merwin	B26B 21/46 362/115

(Continued)

(**) Term: **15 Years**

(21) Appl. No.: **29/675,149**

(22) Filed: **Dec. 28, 2018**

Related U.S. Application Data

(62) Division of application No. 29/588,348, filed on Dec. 20, 2016, now Pat. No. Des. 841,241.

(51) **LOC (12) Cl.** **28-03**

(52) **U.S. Cl.**
USPC **D28/46**

(58) **Field of Classification Search**
USPC D28/46-48, 49-51; D7/395, 401.2
CPC ... B26B 21/00; B26B 21/08; B26B 21/14-38;
B26B 21/40; B26B 21/4006; B26B
21/4012-4031; B26B 21/4037; B26B
21/405-4056; B26B 21/4062; B26B
21/4068-4075; B26B 21/48; B26B
21/52-528

See application file for complete search history.

(56) **References Cited**

U.S. PATENT DOCUMENTS

1,169,637 A	1/1916	Grove	B26B 21/446 30/286
1,419,187 A	6/1922	Wilson	B26B 21/42 30/31
1,633,139 A *	6/1927	Staats-Oels	B26B 21/22 30/50

FOREIGN PATENT DOCUMENTS

GB	2433461 A *	6/2007	B26B 21/4087
----	-------------	--------------	--------------

OTHER PUBLICATIONS

You Are Here: Home / Shaving / FLASHI Rockwell Model T Adjustable Razor FLASHI Rockwell Model T Adjustable Razor by Mantic59 Posted Mar. 28, 2016 14 comments, 1 page (Year: 2016).

(Continued)

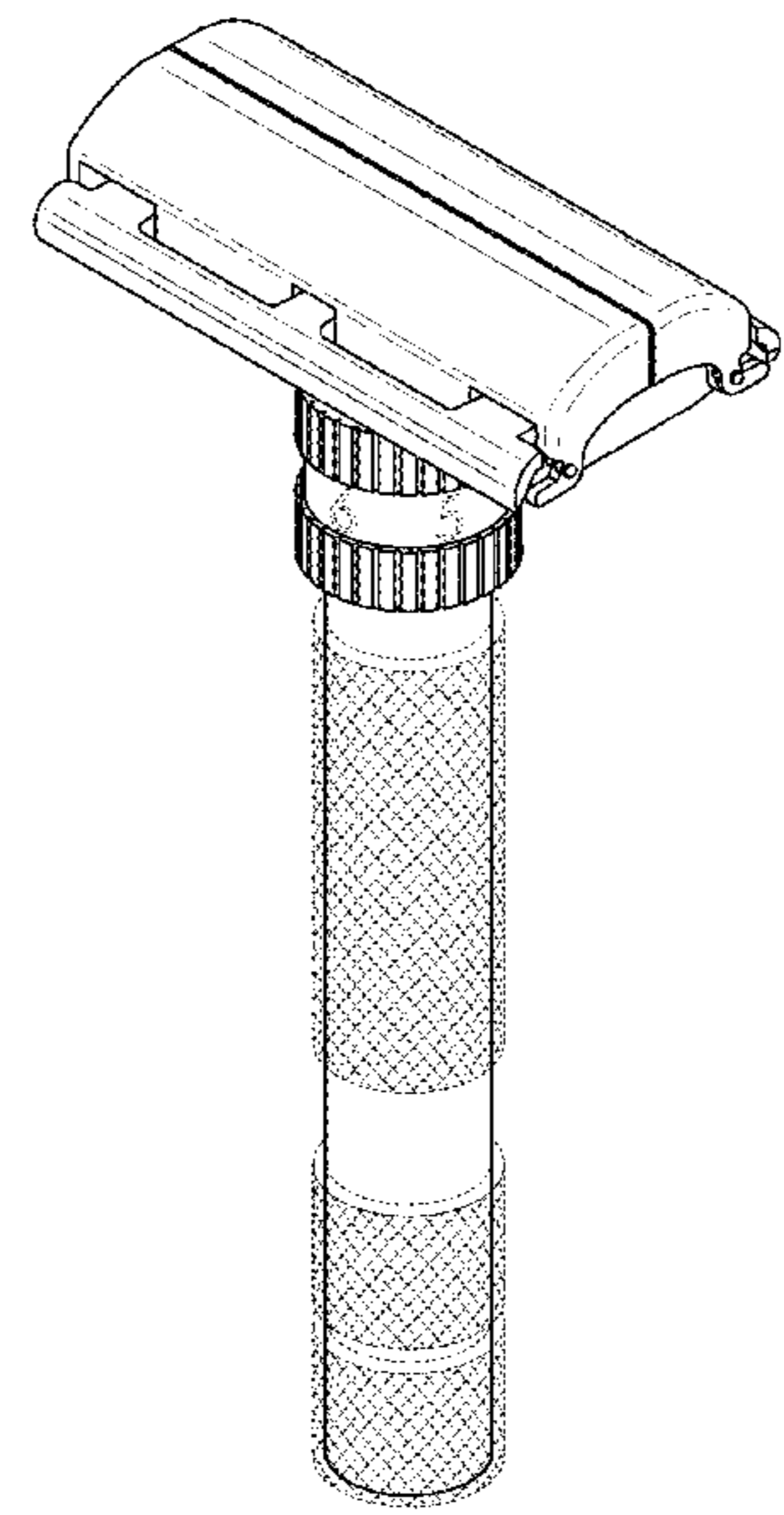
Primary Examiner — Jennifer Rivard
(74) *Attorney, Agent, or Firm* — Norton Rose Fulbright Canada LLP

(57) **CLAIM**
The ornamental design for a razor, as shown and described.

DESCRIPTION

FIG. 1 is an isometric view of a razor showing the design; FIG. 2 is a front view thereof; FIG. 3 is a rear view thereof; FIG. 4 is a right view thereof; FIG. 5 is a left view thereof; FIG. 6 is a top view thereof; and, FIG. 7 is an isometric view thereof in another state of operation.
The broken lines illustrate portions of the razor and form no part of the claimed design.

1 Claim, 5 Drawing Sheets



(56)

References Cited

U.S. PATENT DOCUMENTS

2,132,293 A * 10/1938 Hans B26B 21/52
30/526
2,143,276 A 1/1939 Martin B26B 21/18
30/346.61
2,299,868 A 10/1942 Younghusband B26B 21/18
30/41
2,389,470 A 11/1945 Traynham B26B 21/18
30/41
2,424,260 A 7/1947 Testi B26B 21/18
30/65
2,548,959 A 4/1951 Eisenberg B26B 21/18
30/34.2
2,839,224 A 6/1958 Lipka B26B 21/446
222/191
2,865,096 A * 12/1958 Eugene B26B 21/24
30/40
3,587,171 A * 6/1971 Perry B26B 21/26
30/40.1
4,125,939 A 11/1978 Brothers B26B 21/22
30/50
D250,849 S 1/1979 Harshberger D28/46
2,698,995 A 1/1995 Anastasia B26B 21/32
30/34.2
6,973,730 B2 12/2005 Tomassetti B26B 21/225
30/527
7,121,754 B2 10/2006 Bressler B26B 21/446
401/264
D652,991 S 1/2012 Cavazos Jimenez D28/48
D656,677 S 3/2012 Cavazos Jimenez D28/48
D724,269 S 3/2015 Szczepanowski D28/48

D724,270 S 3/2015 Sims D28/48
9,126,346 B2 9/2015 Meier A46B 5/0062
9,216,514 B2 12/2015 Bridges B26B 5/0062
D765,912 S 9/2016 Thi Minh Vinh D28/48
9,505,142 B2 11/2016 Nordstrom B26B 21/18
D788,367 S 5/2017 Nordstrom D28/47
9,840,014 B2 12/2017 Gilor B26B 21/18
D815,776 S 4/2018 Ngo D28/48
9,931,755 B2 4/2018 Gilor B26B 21/443
D841,241 S * 2/2019 Everard D28/46
D848,070 S * 5/2019 Bok D28/46
2009/0126197 A1 5/2009 Tomassetti B26B 21/446
30/41
2009/0255123 A1 * 10/2009 Tomassetti A45D 27/29
30/34.05
2010/0236071 A1 9/2010 Szczepanowski .. B26B 21/4018
30/413.5
2013/0247395 A1 9/2013 Szczepanowski B26B 21/405
30/541
2015/0352737 A1 12/2015 Hickam B26B 21/521
30/70
2017/0297212 A1 10/2017 Nordstrom B26B 21/521
2019/0134833 A1 * 5/2019 Kole B26B 21/42

OTHER PUBLICATIONS

<https://leisureguy.wordpress.com/2015/05/12/shaving-with-a-prototype-of-the-heritage-style-adjustable-de-razor>, May 2015, 13 pages (Year: 2015).
Rockwell Model T Razor and Razor Blades—Shaving, Perfected by Rockwell Razors—Kickstarter, Mar. 2016, 19 pages (Year: 2016).

* cited by examiner

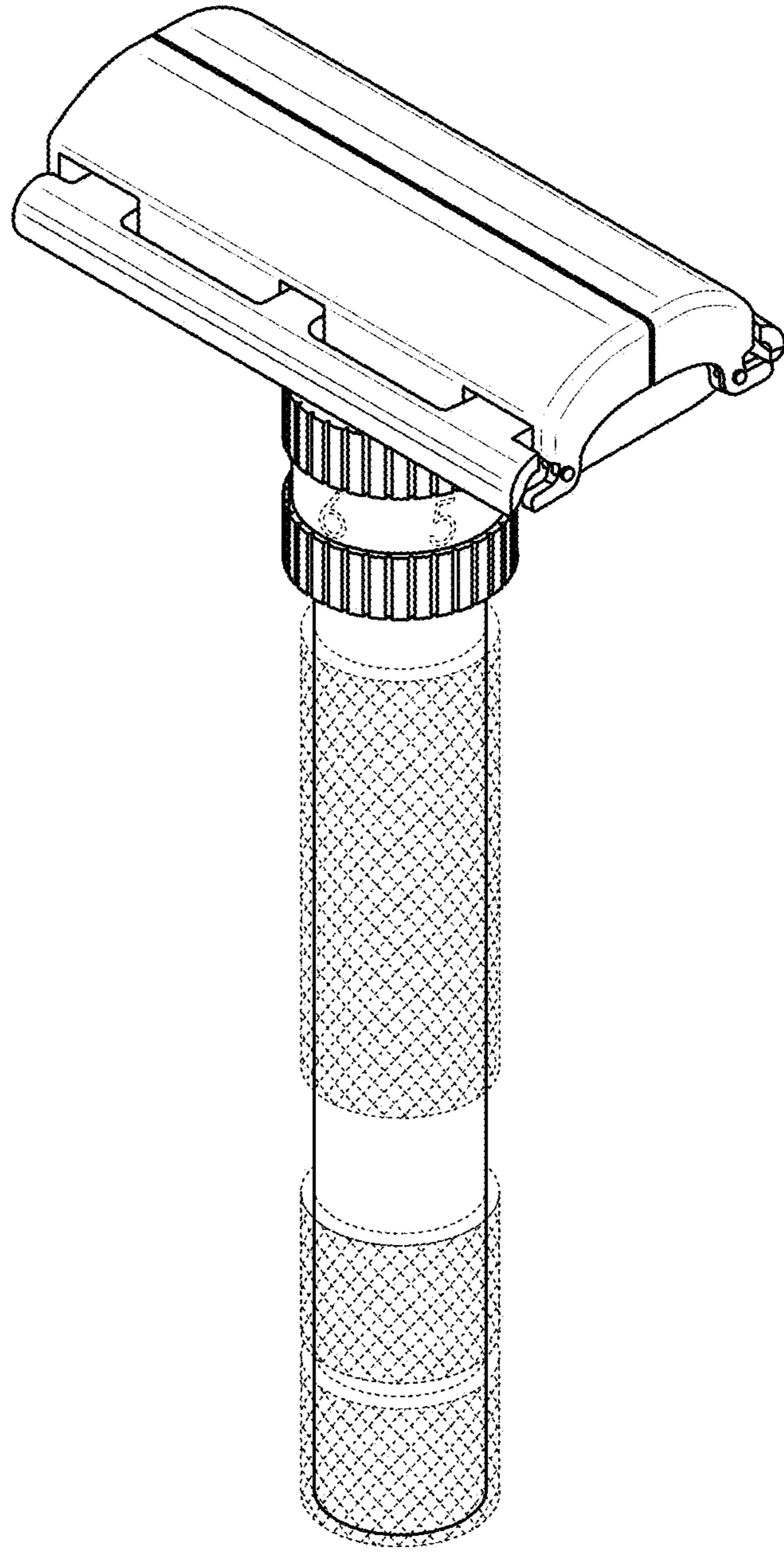


FIG. 1

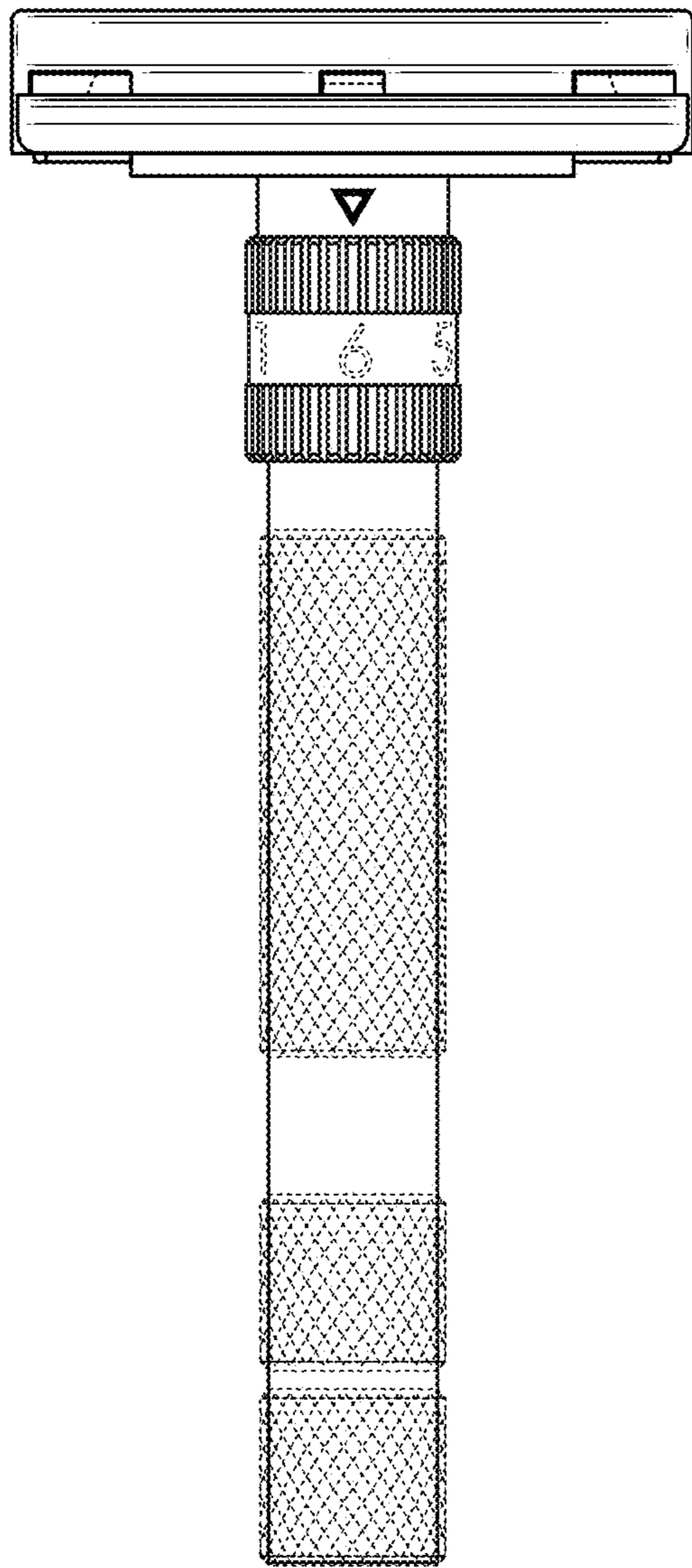


FIG. 2

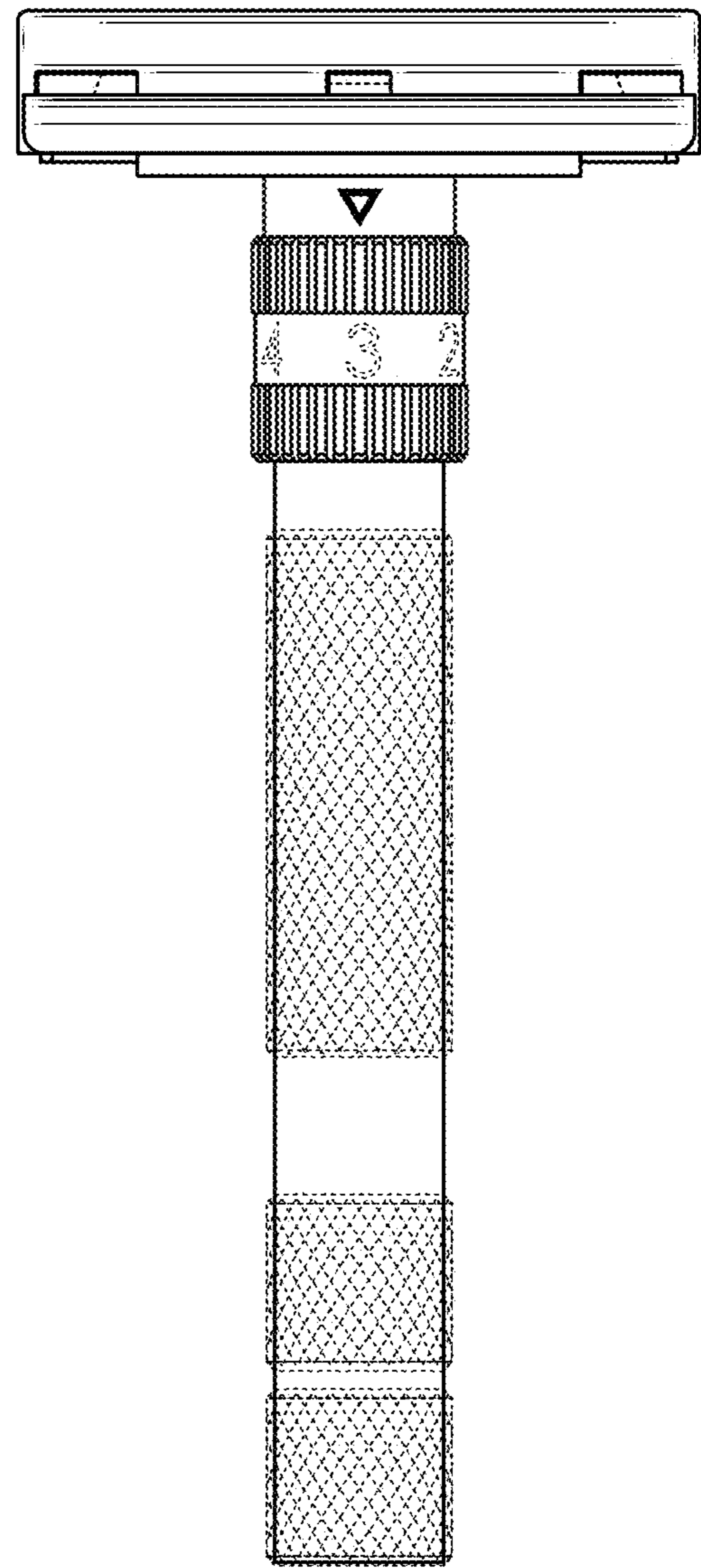


FIG. 3

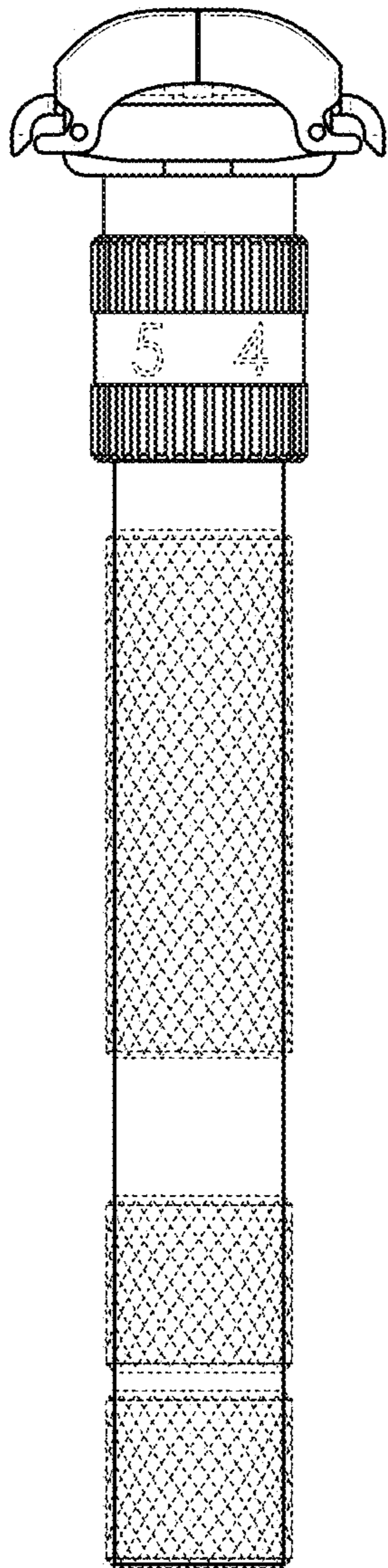


FIG. 4

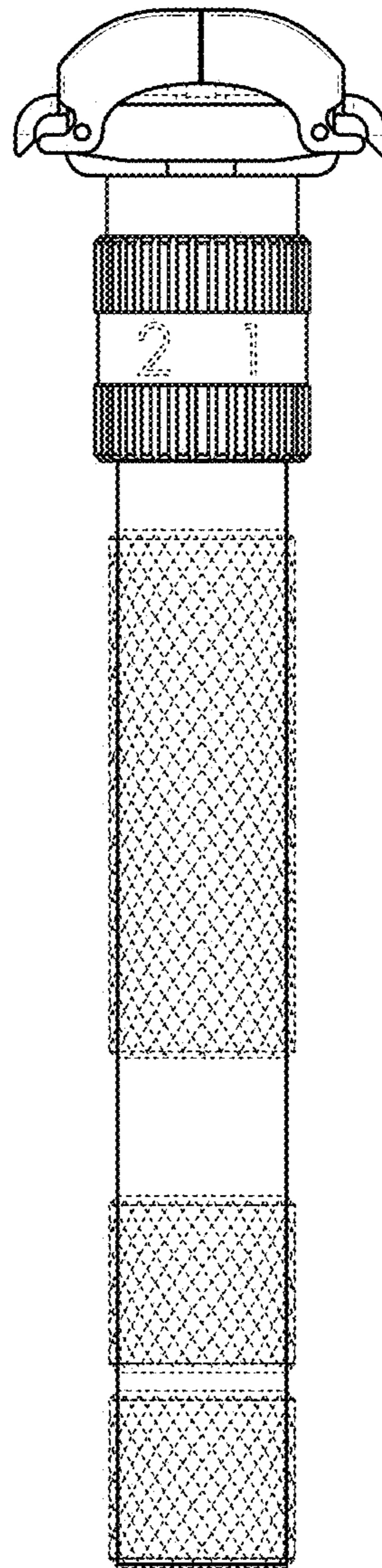


FIG. 5

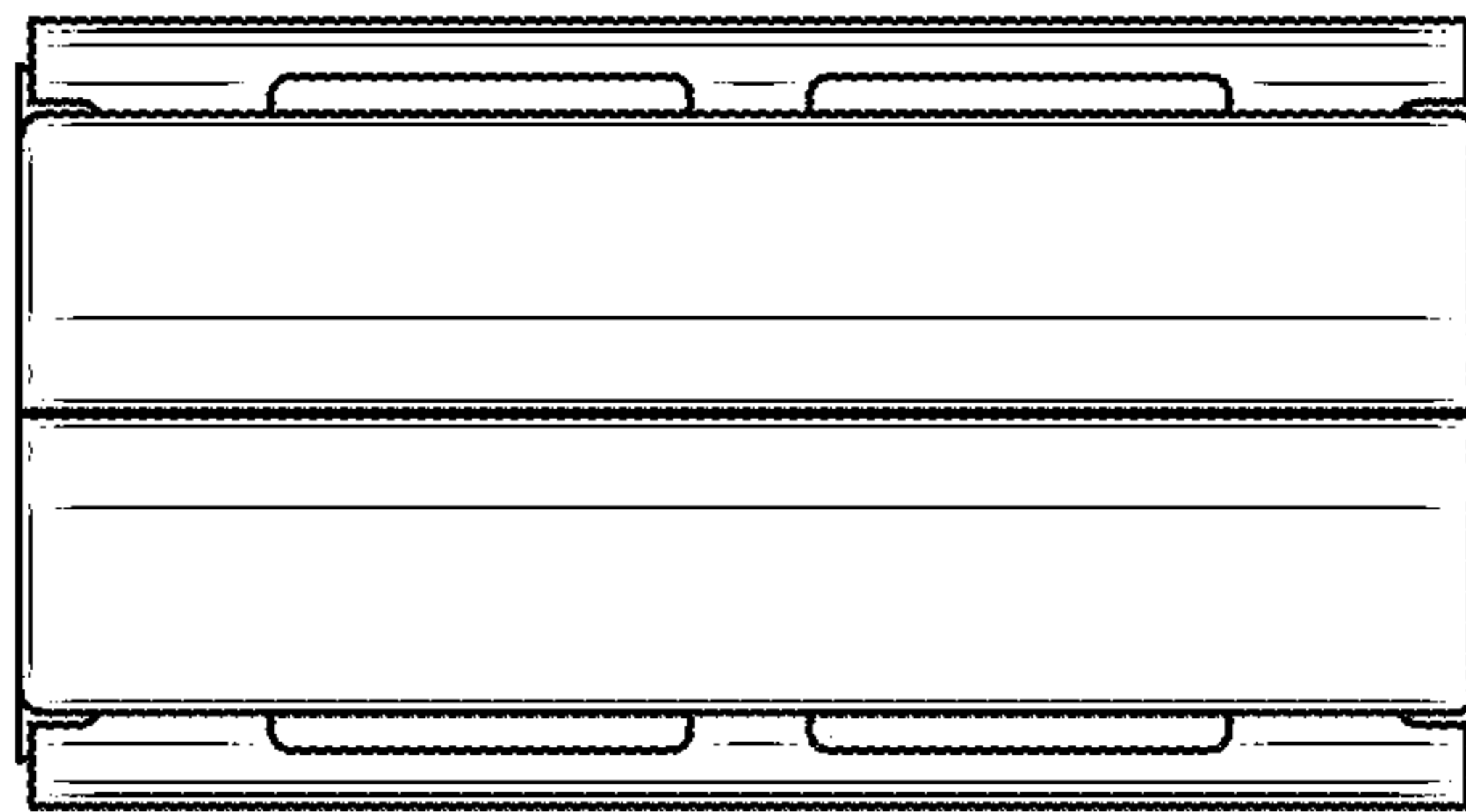


FIG. 6

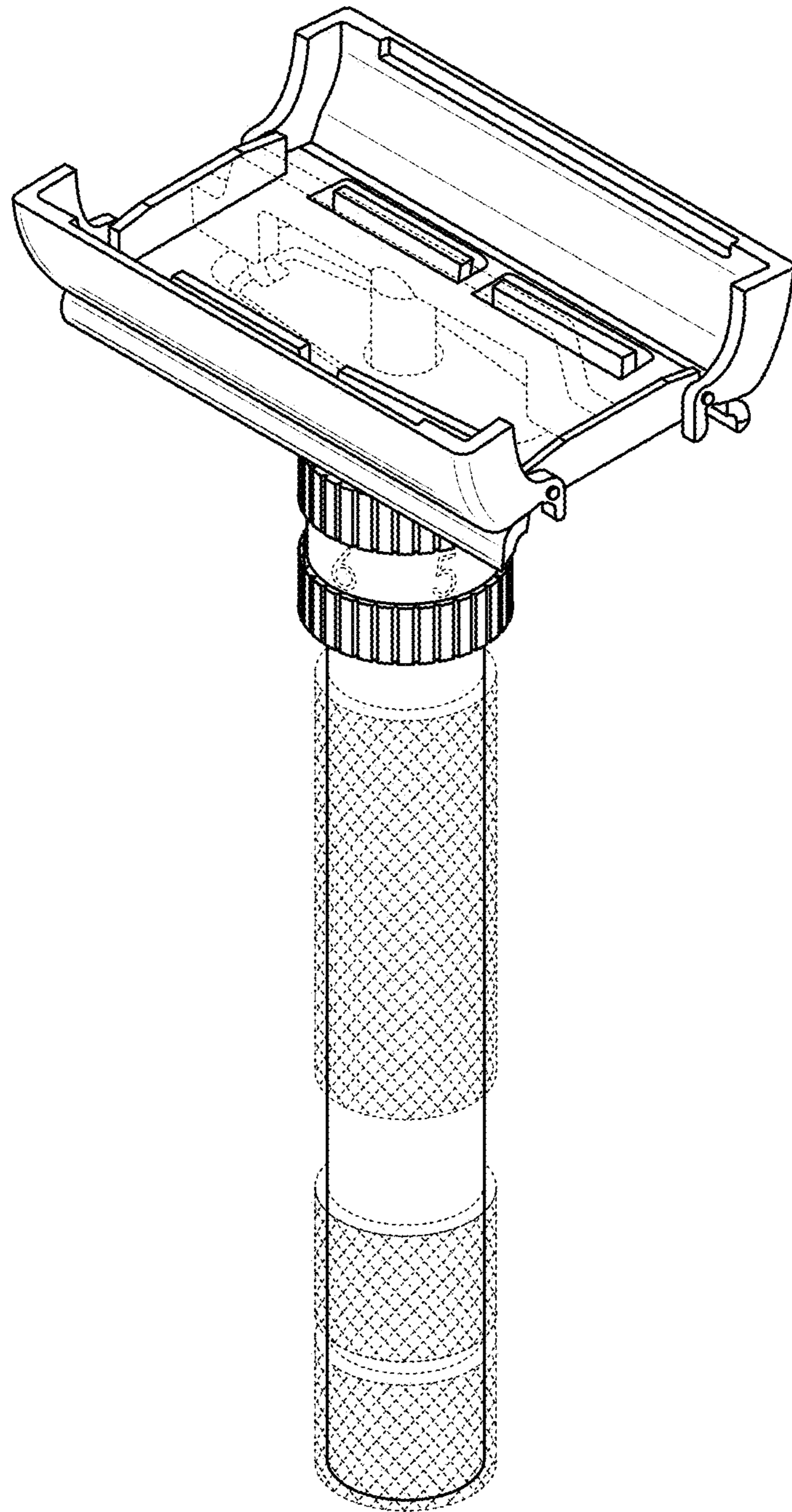


FIG. 7