



US00D874723S

(12) **United States Design Patent**
Zeng et al.

(10) **Patent No.:** **US D874,723 S**
(45) **Date of Patent:** **** Feb. 4, 2020**

(54) **HAIR CURLER**

(71) Applicant: **Guangdong Roman Technology Co., Ltd.**, DongGuan, GuangDong Province (CN)

(72) Inventors: **Ru-Jun Zeng**, DongGuan (CN);
Yun-Shan Feng, DongGuan (CN)

(73) Assignee: **Guangdong Roman Technology Co., Ltd.**, Dongguan, Guangdong Province (CN)

(**) Term: **15 Years**

(21) Appl. No.: **29/673,261**

(22) Filed: **Dec. 13, 2018**

(51) **LOC (12) Cl.** **28-03**

(52) **U.S. Cl.**
USPC **D28/35; D28/18**

(58) **Field of Classification Search**
USPC D28/10, 35, 37-38, 13, 18
CPC A45D 2/00; A45D 2001/045; A45D 1/16;
A45D 1/04; A45D 1/18; A45D 1/06-14;
A45D 2/02-10; A45D 2/38-42; A45D
2/001-002
See application file for complete search history.

(56) **References Cited**

U.S. PATENT DOCUMENTS

5,119,847 A * 6/1992 Powell A45D 2/00
132/210
D727,568 S * 4/2015 Francois D28/10

D783,204 S * 4/2017 Climer D28/35
D788,979 S * 6/2017 Donnellan D28/35
D840,596 S * 2/2019 Kwok D28/35
D840,598 S * 2/2019 Kwok D28/35
2010/0089413 A1 * 4/2010 Wright A45D 2/001
132/211
2014/0216493 A1 * 8/2014 Hadden A45D 2/001
132/223
2018/0000216 A1 * 1/2018 Gonzalez A45D 1/04

* cited by examiner

Primary Examiner — Jennifer Rivard

(74) *Attorney, Agent, or Firm* — Muncy, Geissler, Olds & Lowe, P.C.

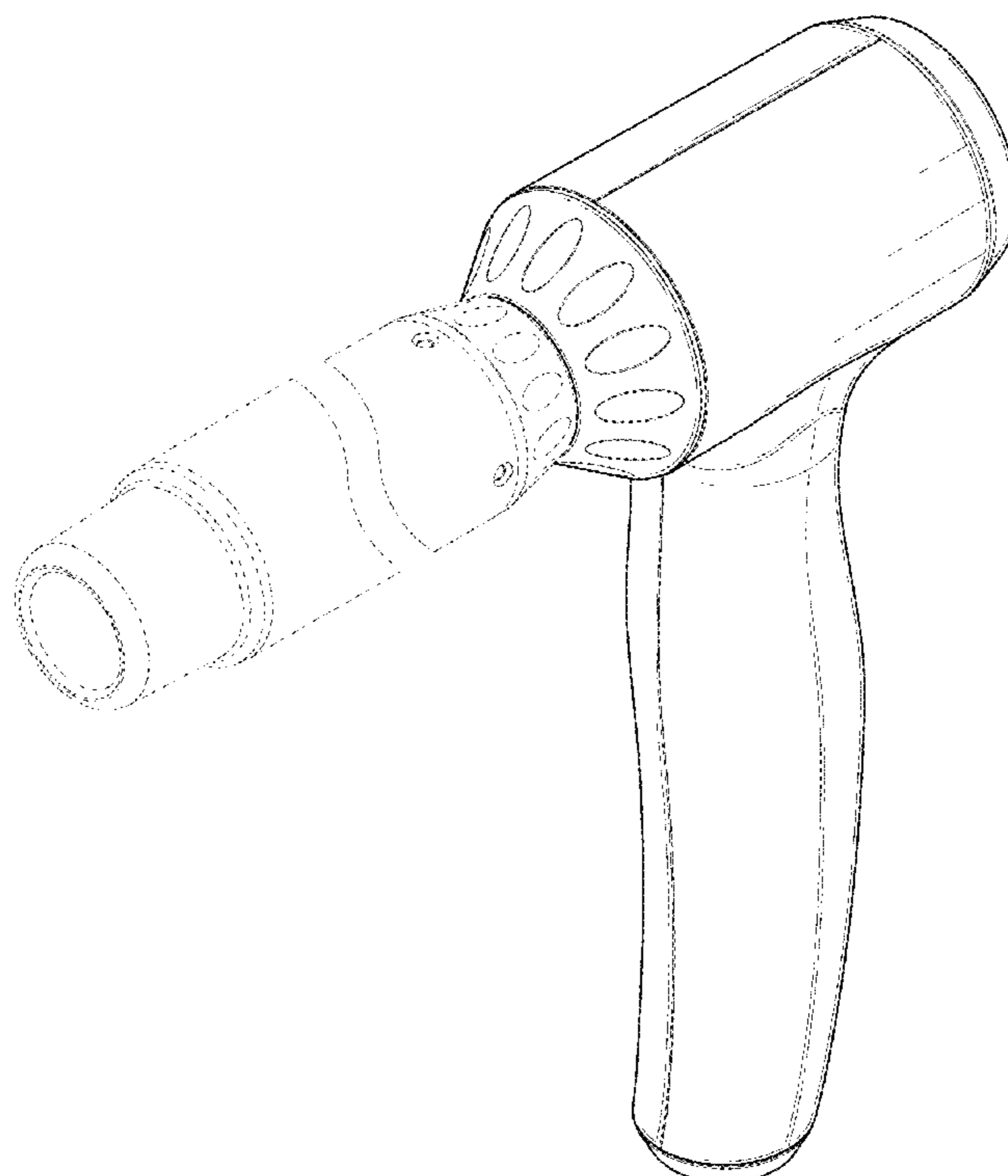
(57) **CLAIM**

The ornamental design for a hair curler, as shown and described.

DESCRIPTION

FIG. 1 is a perspective view of a hair curler showing our new design;
FIG. 2 is a front elevational view thereof;
FIG. 3 is a rear elevational view thereof;
FIG. 4 is a left side elevational view thereof;
FIG. 5 is a right side elevational view thereof;
FIG. 6 is a top plan view thereof;
FIG. 7 is a bottom plan view thereof; and,
FIG. 8 is another perspective view thereof.
The broken lines illustrate a portion of the hair curler and form no part of the claimed design.

1 Claim, 6 Drawing Sheets



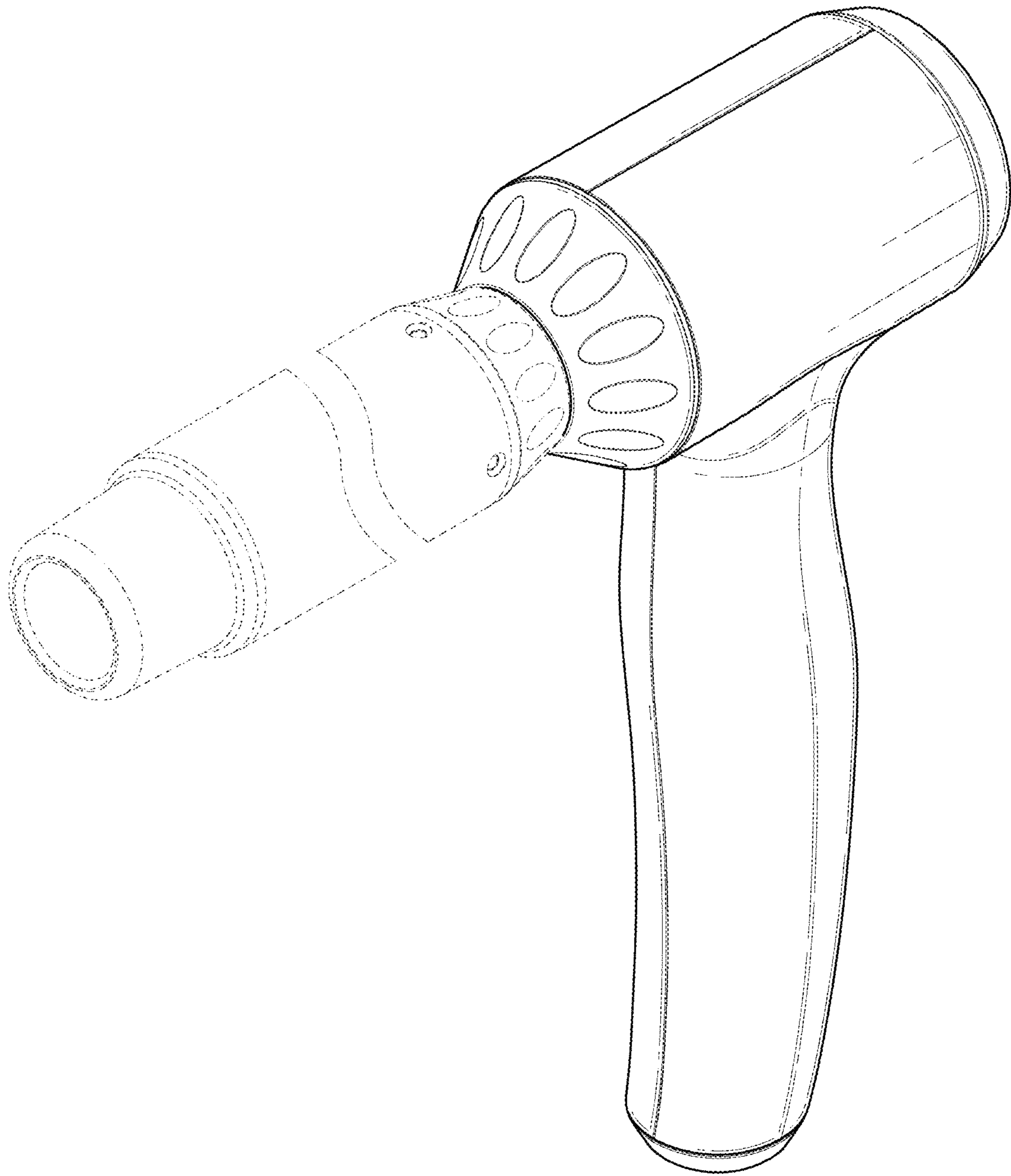


Fig. 1

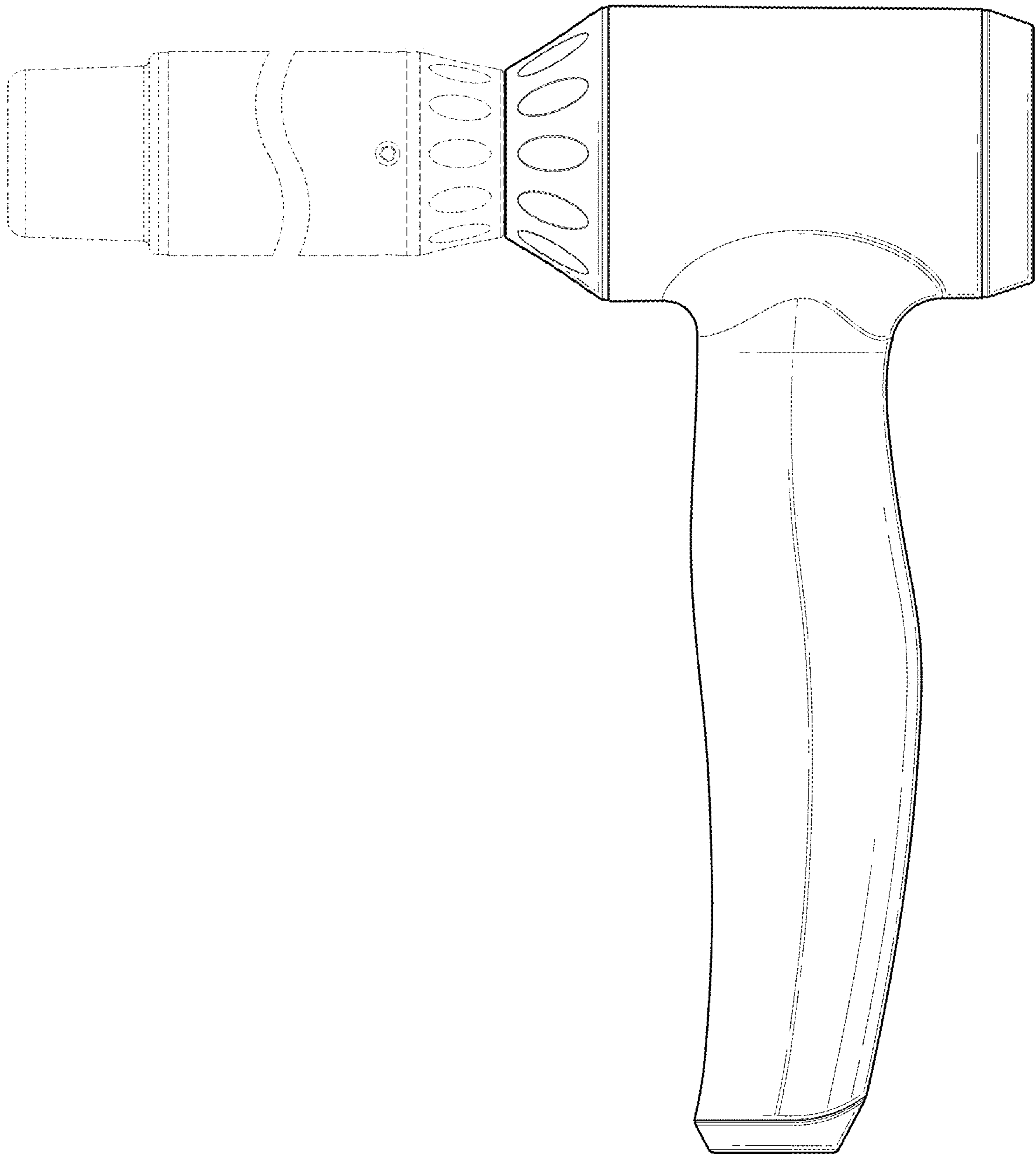


Fig. 2

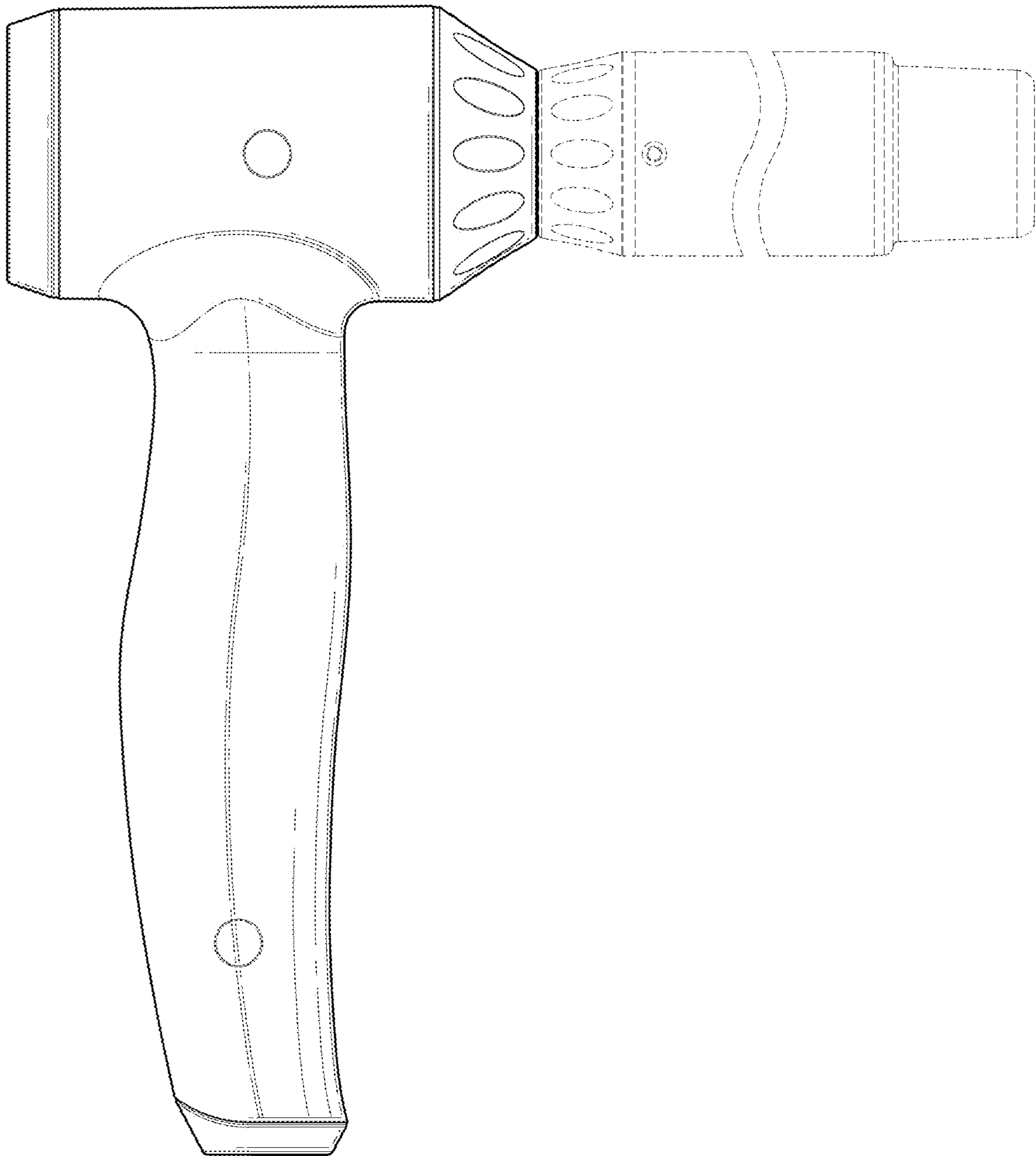


Fig. 3

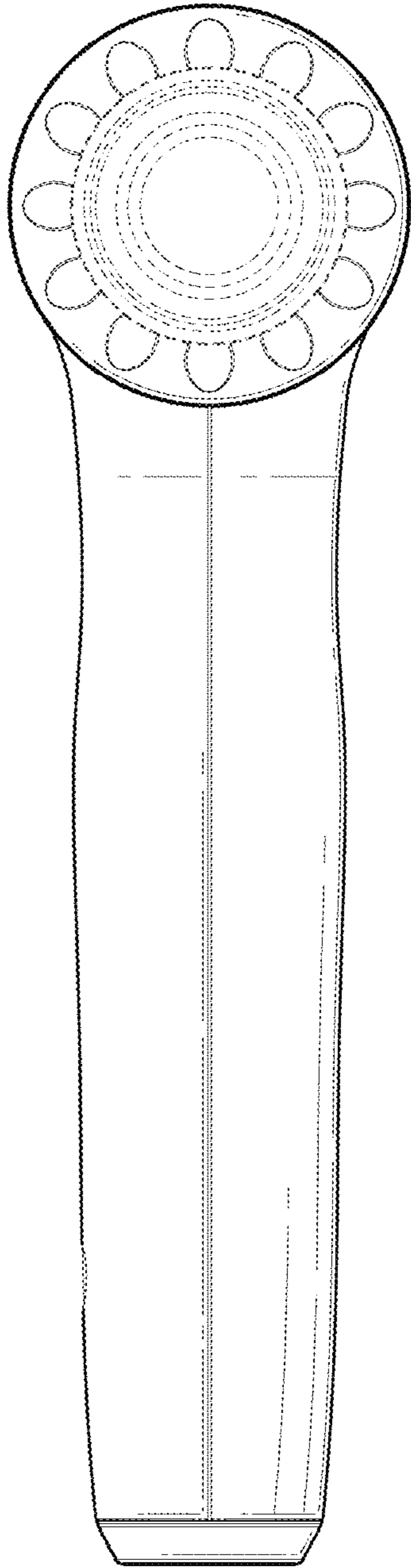


Fig. 4

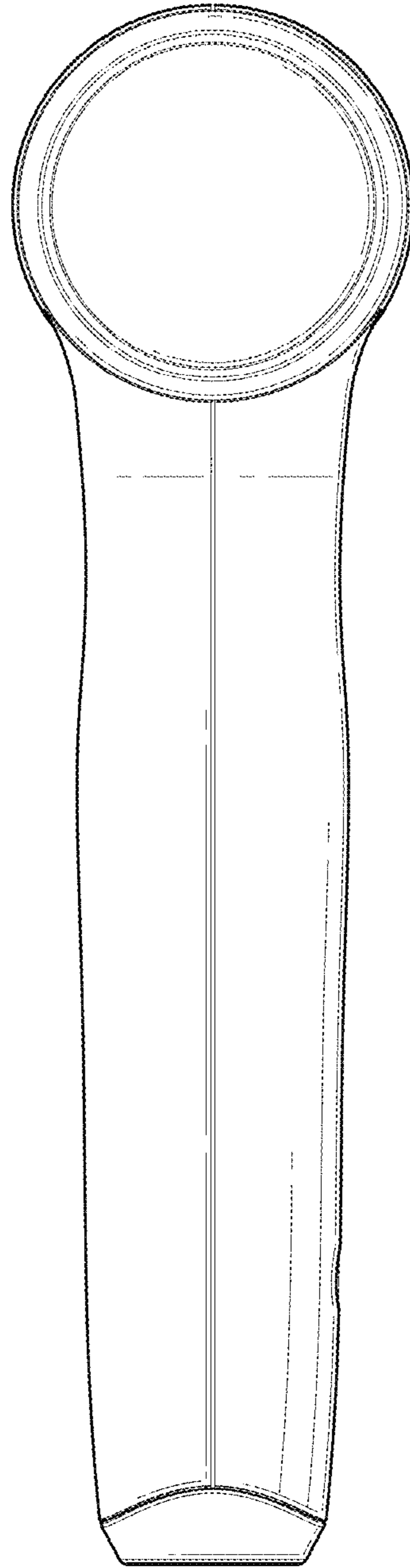


Fig. 5

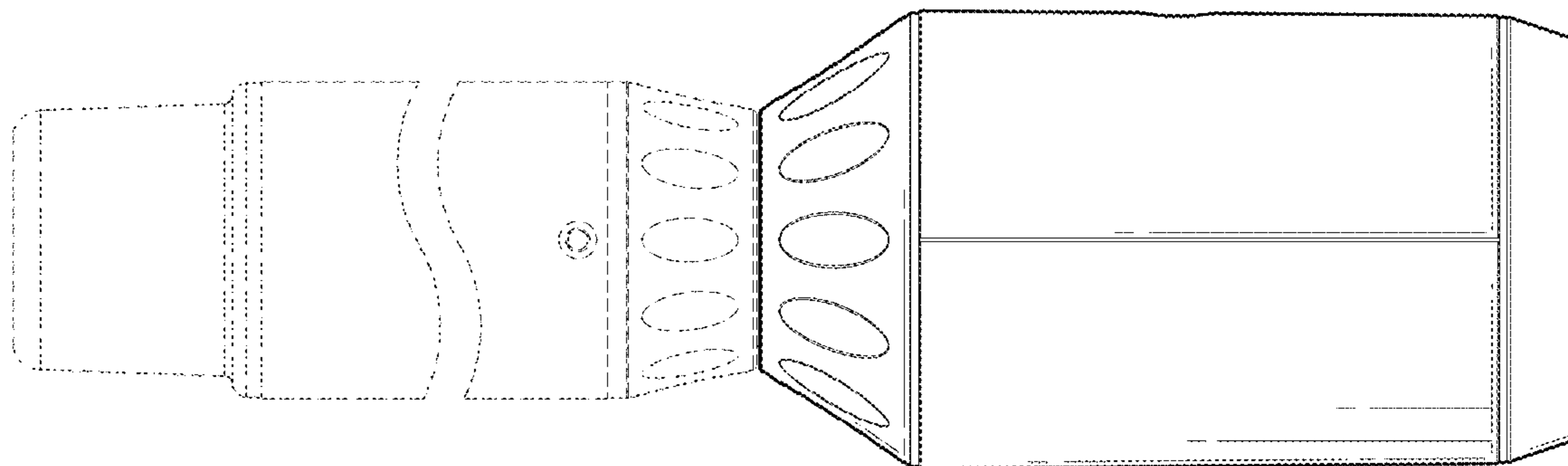


Fig. 6

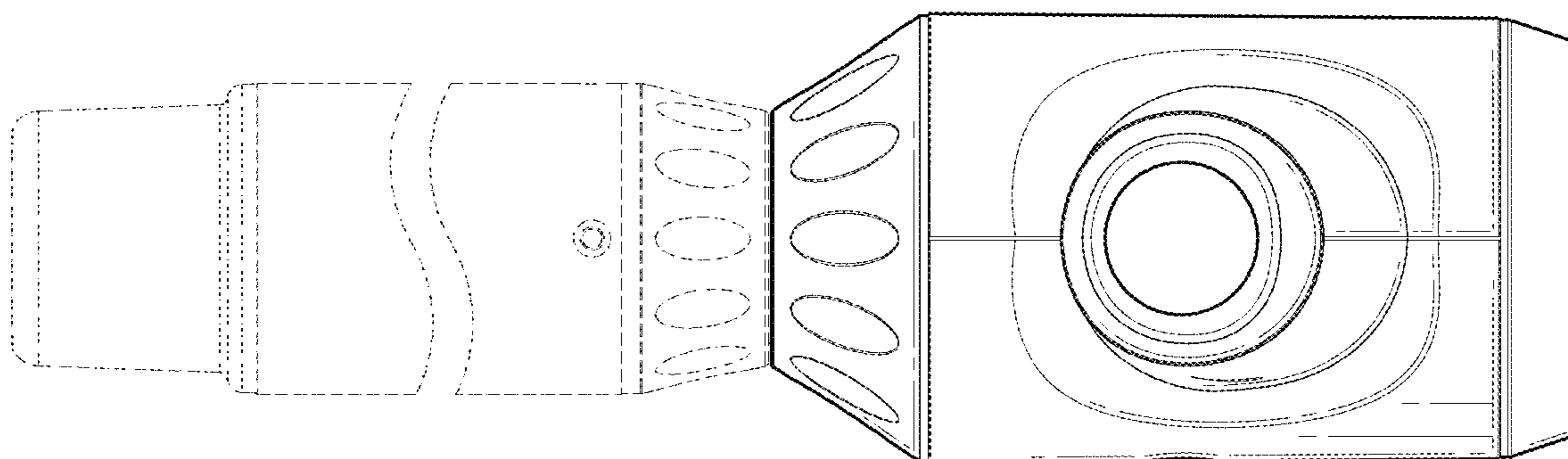


Fig. 7

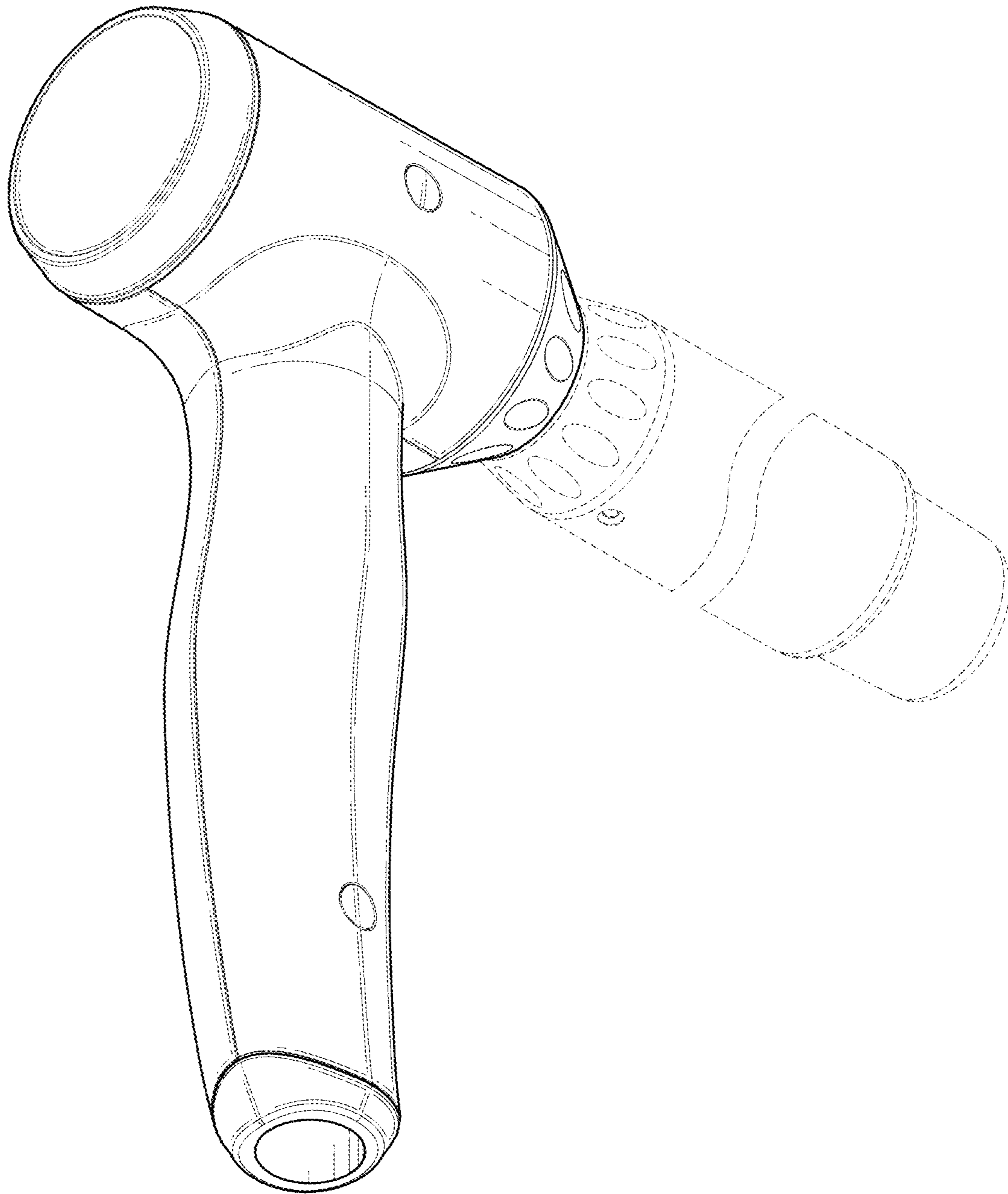


Fig. 8