



US00D874722S

(12) **United States Design Patent**  
**Nicoline**

(10) **Patent No.:** **US D874,722 S**

(45) **Date of Patent:** **\*\* Feb. 4, 2020**

(54) **COMBINED MAKEUP SPONGE AND STAND**

D166,124 S \* 3/1952 Pearce ..... D4/120  
2,904,814 A \* 9/1959 Scholl ..... A45D 33/34  
15/244.1  
2,940,599 A \* 6/1960 Gentner ..... E04G 21/00  
211/41.1

(71) Applicant: **Paris Presents Incorporated**, Gurnee,  
IL (US)

(72) Inventor: **Alyssa C. Nicoline**, McHenry, IL (US)

(Continued)

(73) Assignee: **Paris Presents Incorporated**, Gurnee,  
IL (US)

FOREIGN PATENT DOCUMENTS

(\*\*) Term: **15 Years**

CN 302023349 \* 8/2012  
CN 304910136 \* 11/2018

(21) Appl. No.: **29/610,613**

OTHER PUBLICATIONS

(22) Filed: **Jul. 13, 2017**

MedBall Storage Brackets, Rogue, roguefitness.com, published Mar. 1, 2016 © 2010-2019 Rogue Fitness, online, site visited Feb. 13, 2019. Available from Internet, URL: <https://web.archive.org/web/20160301024400/https://www.roguefitness.com/rogue-wall-mount-swiss-brackets> (Year: 2016).\*

(51) **LOC (12) Cl.** ..... **28-03**

(52) **U.S. Cl.**  
USPC ..... **D28/9**

(58) **Field of Classification Search**

USPC ..... D28/7, 77, 59, 5-8, 63, 91, 99, 9;  
606/131; 206/209, 315.1, 315.91,  
206/521.1-521.7, 716; 15/244.1-244.4;  
D32/35, 40-41; D19/187, 101, 105, 135;  
D21/712-714; 211/14-15, 85.17;  
D3/221, 224, 229, 257; D7/408-409,  
D7/503, 553.4-553.5, 600.1, 600.3-600.4,  
D7/608, 611; D6/552  
CPC .... B65D 51/245; B65D 25/005; B65D 25/00;  
B65D 3/00; B65D 1/00; A45D 40/00;  
A45D 40/0068; A45D 40/24; A45D  
33/006; A45D 33/24; A45D 29/00; A45D  
2200/1054; A61B 17/54; A46B 2200/106;  
A46B 2200/1053; A46B 2200/1046;  
A63B 47/00; A63B 47/002; A63B  
47/007; A63B 2047/043

See application file for complete search history.

*Primary Examiner* — Marissa J Cash  
*Assistant Examiner* — Altaira J Swangin  
(74) *Attorney, Agent, or Firm* — Quarles & Brady LLP

(57) **CLAIM**

The ornamental design for a combined makeup sponge and stand, as shown and described.

**DESCRIPTION**

FIG. 1 is a front, top, right perspective view of a combined makeup sponge and stand;  
FIG. 2 is a front elevational view thereof;  
FIG. 3 is a rear elevational view thereof;  
FIG. 4 is a right side elevational view thereof;  
FIG. 5 is a left side elevational view thereof;  
FIG. 6 is a top plan view thereof; and,  
FIG. 7 is a bottom plan view thereof.

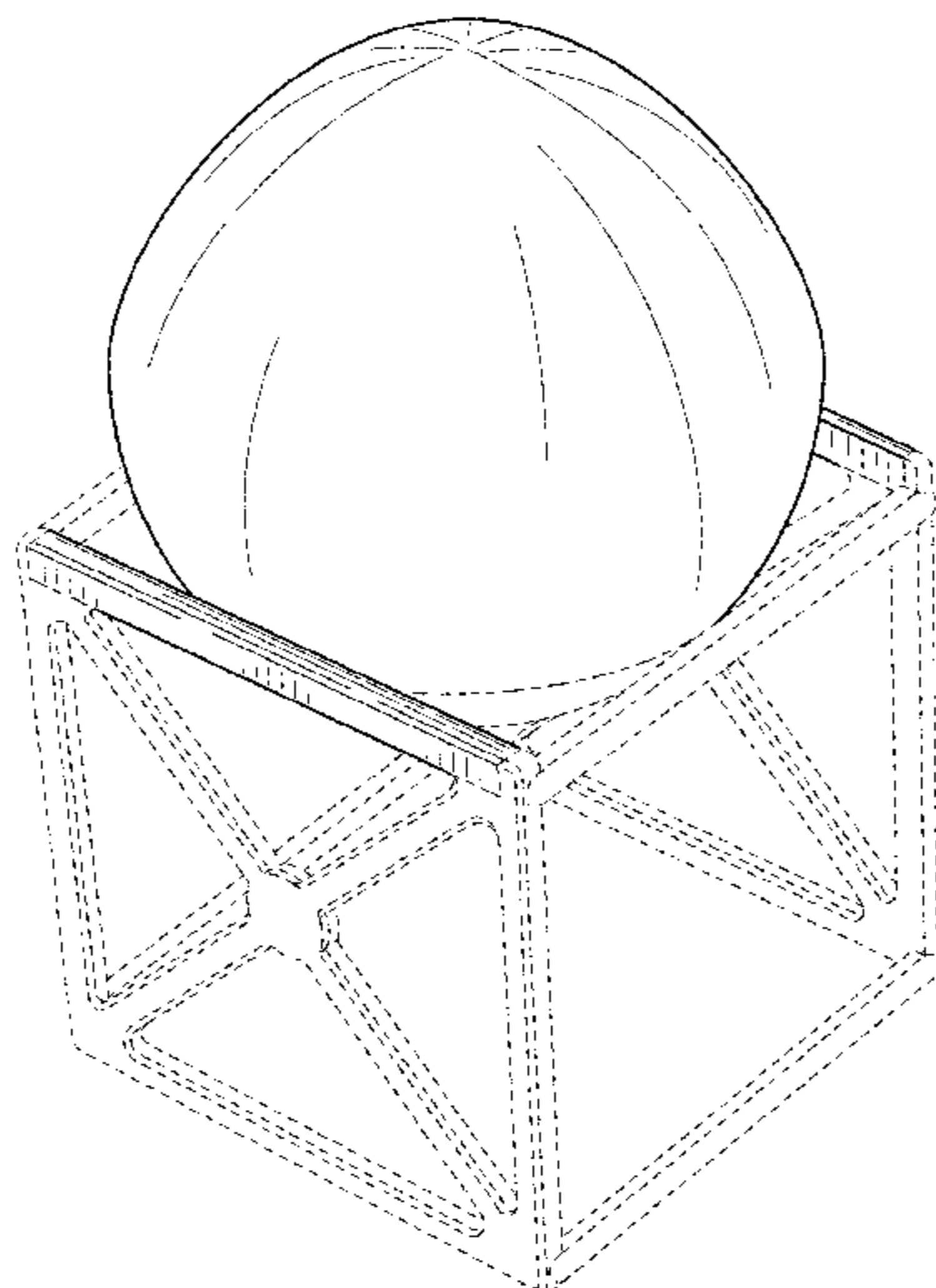
The dash-dash-dash lines are included for the purpose of illustrating portions of the combined makeup sponge and stand that form no part of the claimed design. The dash-dot-dash lines, showing boundary lines, form no part of the claimed design.

(56) **References Cited**

U.S. PATENT DOCUMENTS

D134,044 S \* 10/1942 Vaughn ..... D28/91  
2,491,274 A \* 12/1949 McNeill ..... A61B 17/244  
604/1

**1 Claim, 4 Drawing Sheets**



(56)

References Cited

U.S. PATENT DOCUMENTS

3,011,648 A \* 12/1961 Einhorn ..... A63B 47/007  
211/14  
3,472,242 A \* 10/1969 Demner ..... A45D 40/00  
132/333  
3,690,360 A \* 9/1972 Cahill, Jr. .... A63B 47/007  
206/315.91  
3,980,215 A \* 9/1976 Schwarzbauer ..... A45C 11/24  
224/666  
D243,068 S \* 1/1977 Verni ..... D3/312  
D246,763 S \* 12/1977 Luedtke ..... D9/526  
D261,556 S \* 10/1981 O'Reilly ..... D26/51  
D273,523 S \* 4/1984 DiSesa ..... D3/307  
D273,524 S \* 4/1984 DiSesa ..... D3/307  
D273,525 S \* 4/1984 DiSesa ..... D3/307  
D291,258 S \* 8/1987 Greer, Sr. .... D32/40  
D313,715 S \* 1/1991 Ohno ..... D6/552  
D314,110 S \* 1/1991 Ohno ..... D6/552  
D314,111 S \* 1/1991 Ohno ..... D6/552  
D374,363 S \* 10/1996 Puzo ..... D6/552  
5,746,332 A \* 5/1998 Kleinschmidt ..... A47F 7/0028  
108/25  
5,951,075 A \* 9/1999 Green ..... A63B 47/02  
206/315.9  
6,036,010 A \* 3/2000 Seyffert ..... B65D 5/4204  
206/315.9  
D440,770 S \* 4/2001 Chen ..... D28/63  
D549,455 S \* 8/2007 Kent ..... D3/304  
D565,338 S \* 4/2008 St. Peter ..... D6/552  
D567,559 S \* 4/2008 Blazer ..... D6/552  
D577,235 S \* 9/2008 Blazer ..... D6/552  
D600,962 S \* 9/2009 St. Peter ..... D6/552  
D640,827 S \* 6/2011 Ninomiya ..... D28/7

7,984,721 B2 \* 7/2011 Van Alphen ..... A45D 40/0087  
132/317  
D669,720 S \* 10/2012 Rieger, Sr. .... D6/552  
D703,058 S \* 4/2014 Baschmakoff ..... D9/516  
D703,546 S \* 4/2014 De Baschmakoff ..... D9/691  
D704,403 S \* 5/2014 Vitucci-Schneider ..... D32/40  
D709,646 S \* 7/2014 Celia ..... D28/7  
8,900,074 B1 \* 12/2014 Johnson ..... A63B 69/205  
473/422  
D724,805 S \* 3/2015 Israni ..... D32/40  
D758,008 S 5/2016 Kolby et al.  
D759,923 S \* 6/2016 Brown ..... D32/40  
D789,600 S \* 6/2017 Nicoline ..... D28/7  
D789,601 S \* 6/2017 Nicoline ..... D28/7  
D796,114 S \* 8/2017 Nicoline ..... D28/7  
D811,006 S \* 2/2018 Nicoline ..... D28/7  
D812,809 S \* 3/2018 Nicoline ..... D28/7  
D817,647 S \* 5/2018 Nicoline ..... D4/135  
D817,775 S \* 5/2018 Hennessy ..... D9/519  
D825,530 S \* 8/2018 Chyzhov ..... D14/216  
D827,926 S \* 9/2018 Stark ..... D28/7  
D832,506 S \* 10/2018 Celia ..... D28/7  
D836,245 S \* 12/2018 Stawinski ..... D28/7  
2008/0047858 A1 \* 2/2008 Conklin ..... B65D 5/10  
206/315.9  
2010/0193379 A1 \* 8/2010 Matthews ..... A63B 47/002  
206/216  
2011/0262259 A1 \* 10/2011 Zats ..... A63B 47/02  
414/800  
2013/0243646 A1 \* 9/2013 Kearns ..... A61L 2/10  
422/24  
2014/0200102 A1 \* 7/2014 Frostino ..... A63B 69/0071  
473/447  
2018/0345086 A1 \* 12/2018 Mbonu ..... A63B 47/00

\* cited by examiner

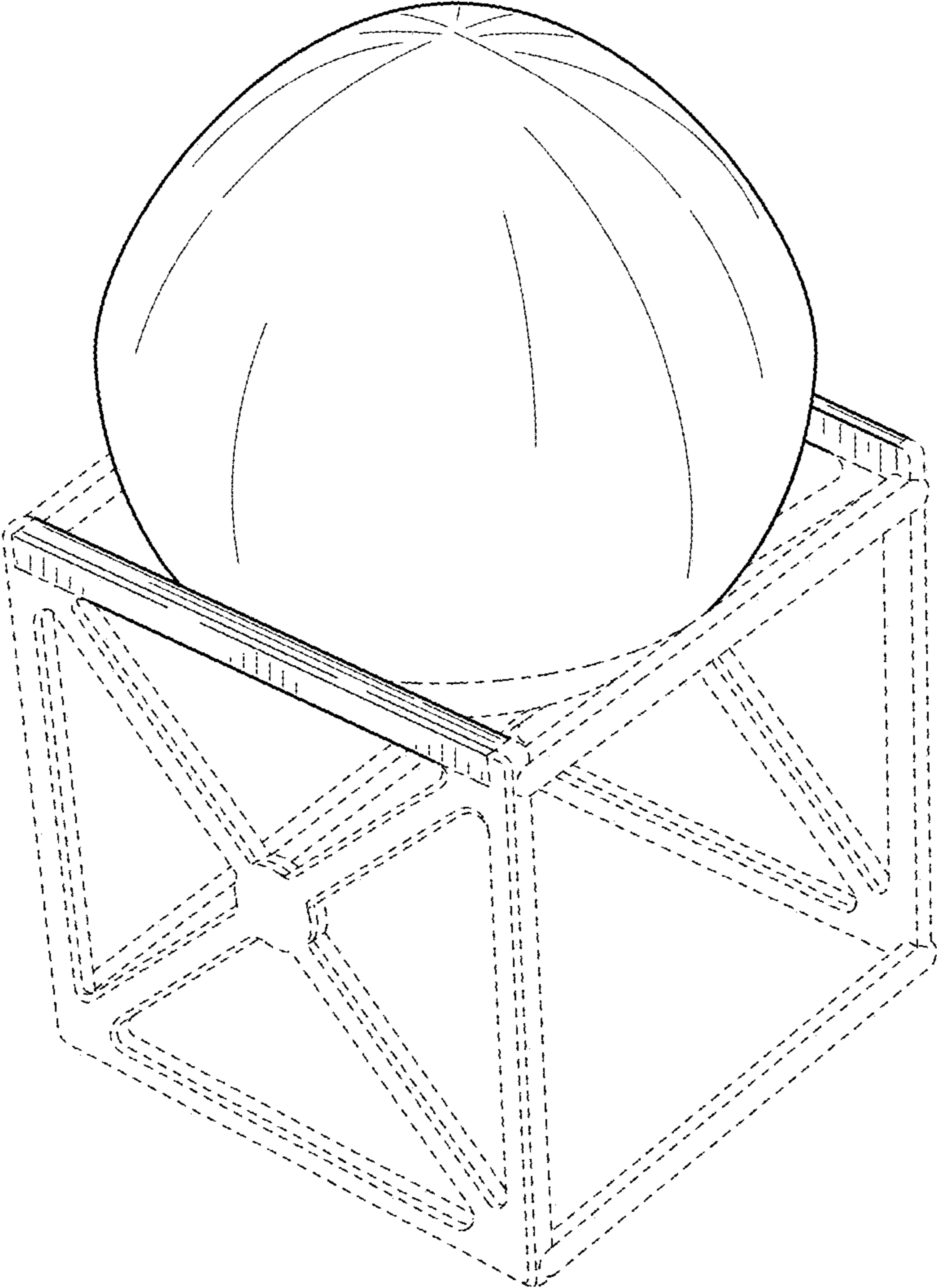


FIG. 1

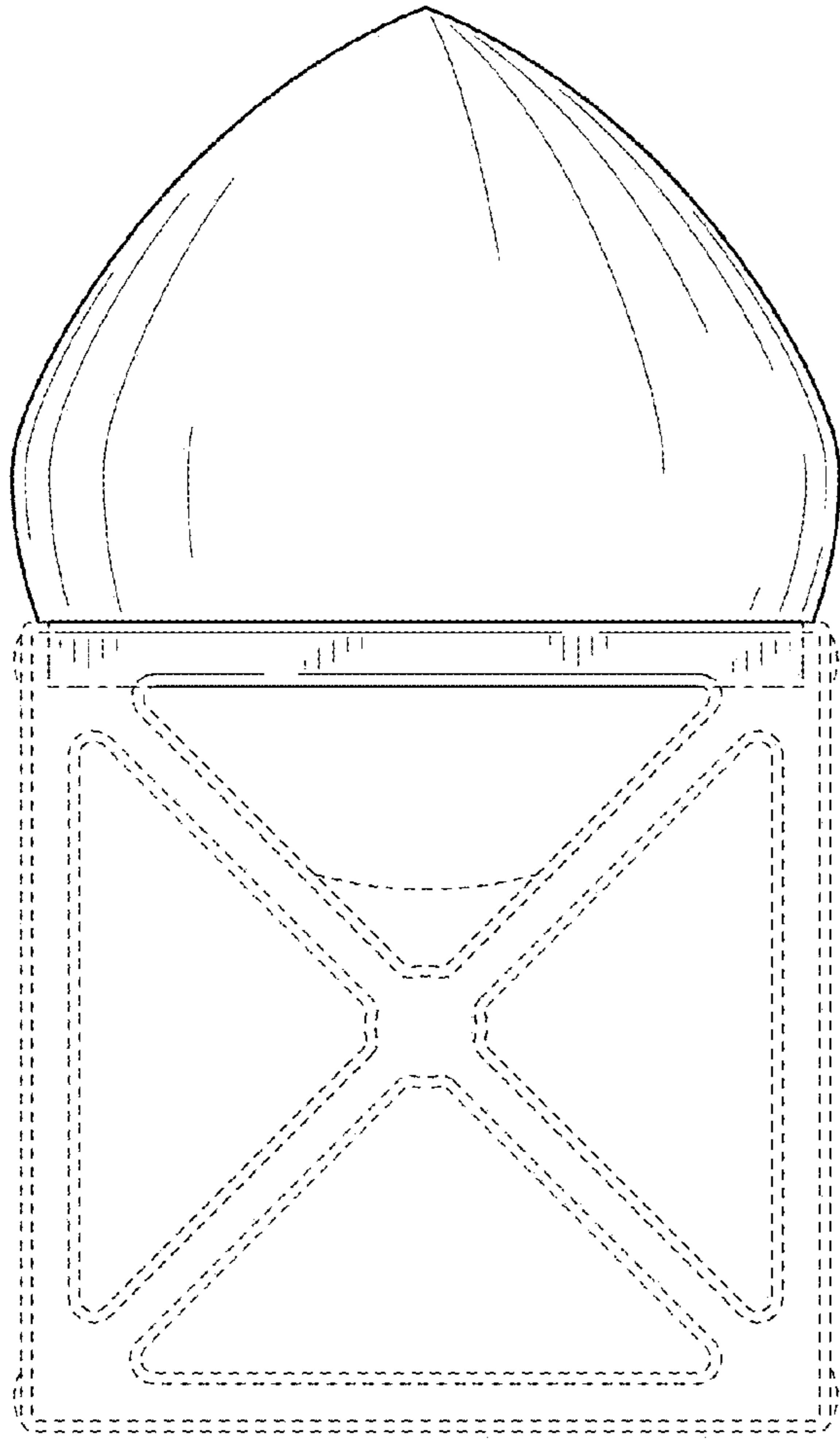


FIG. 2

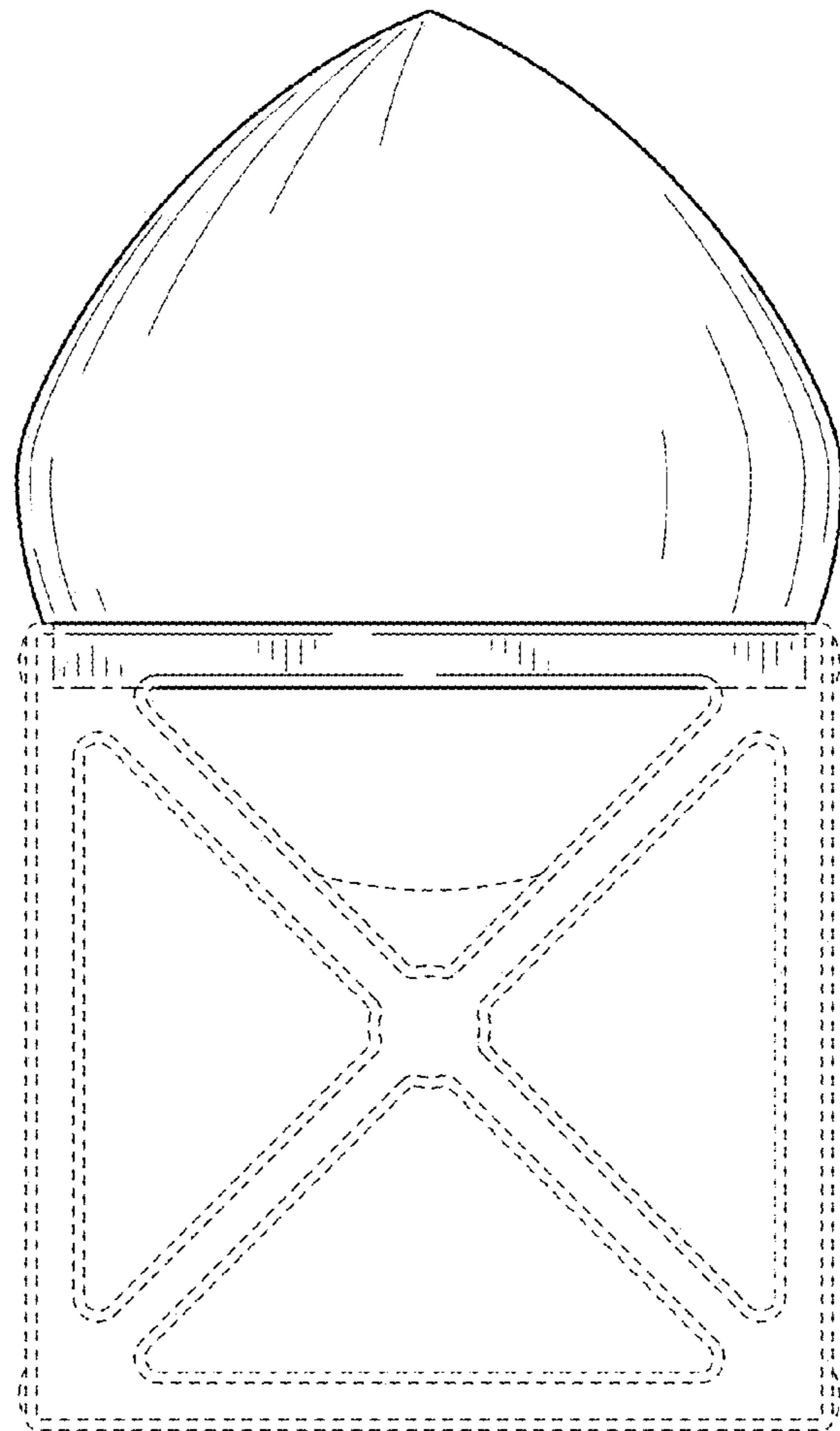


FIG. 3

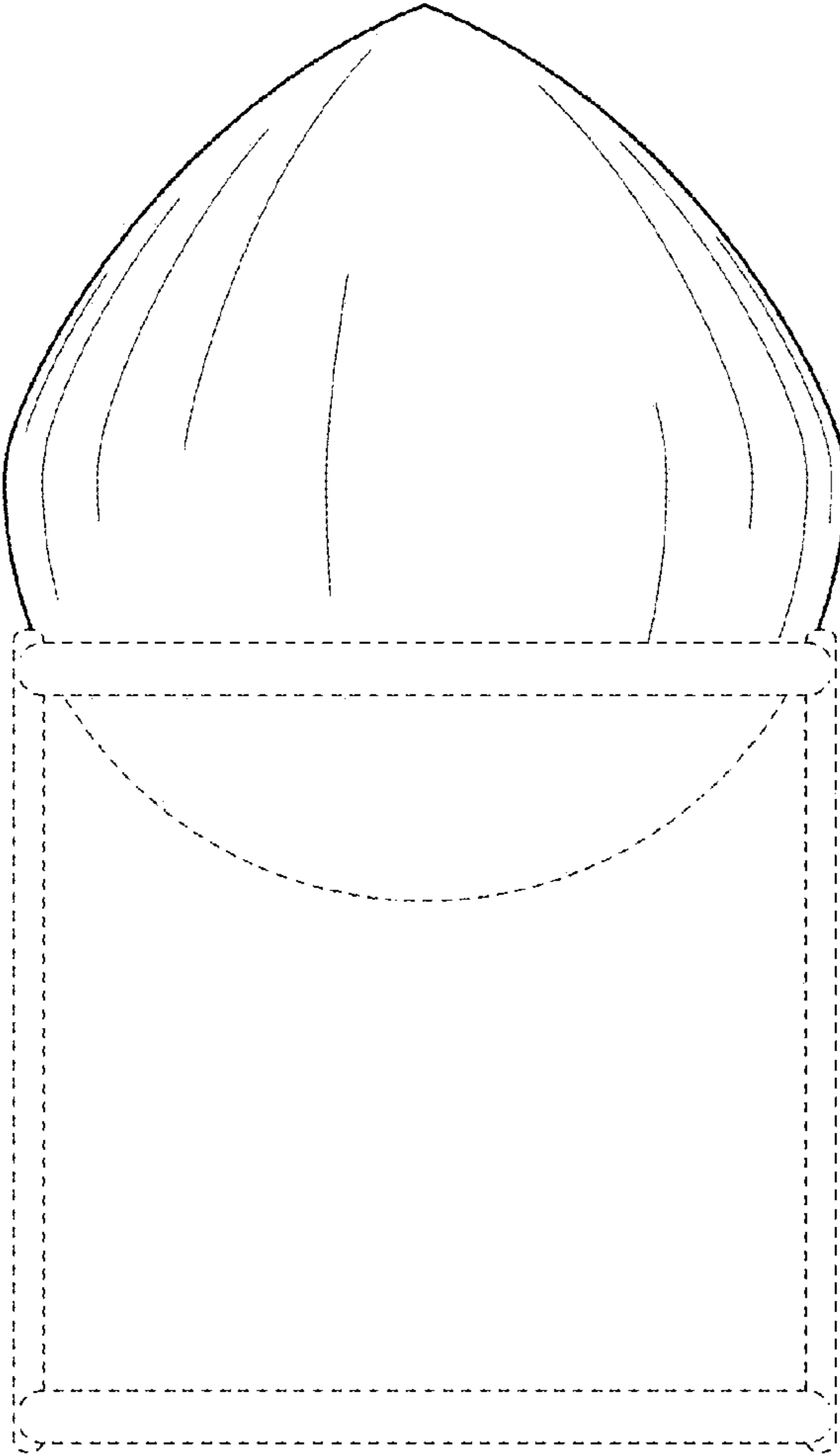


FIG. 4

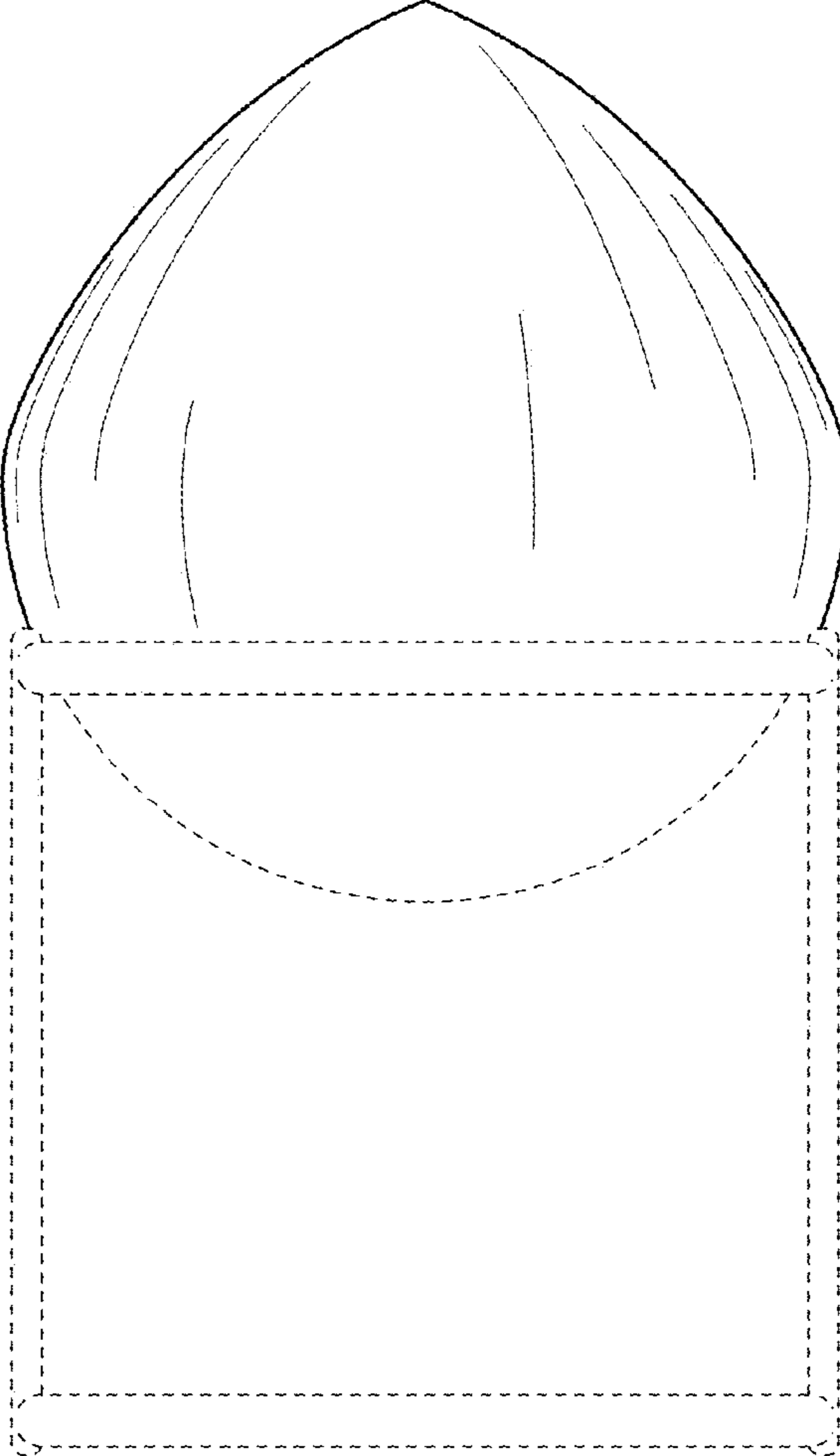


FIG. 5

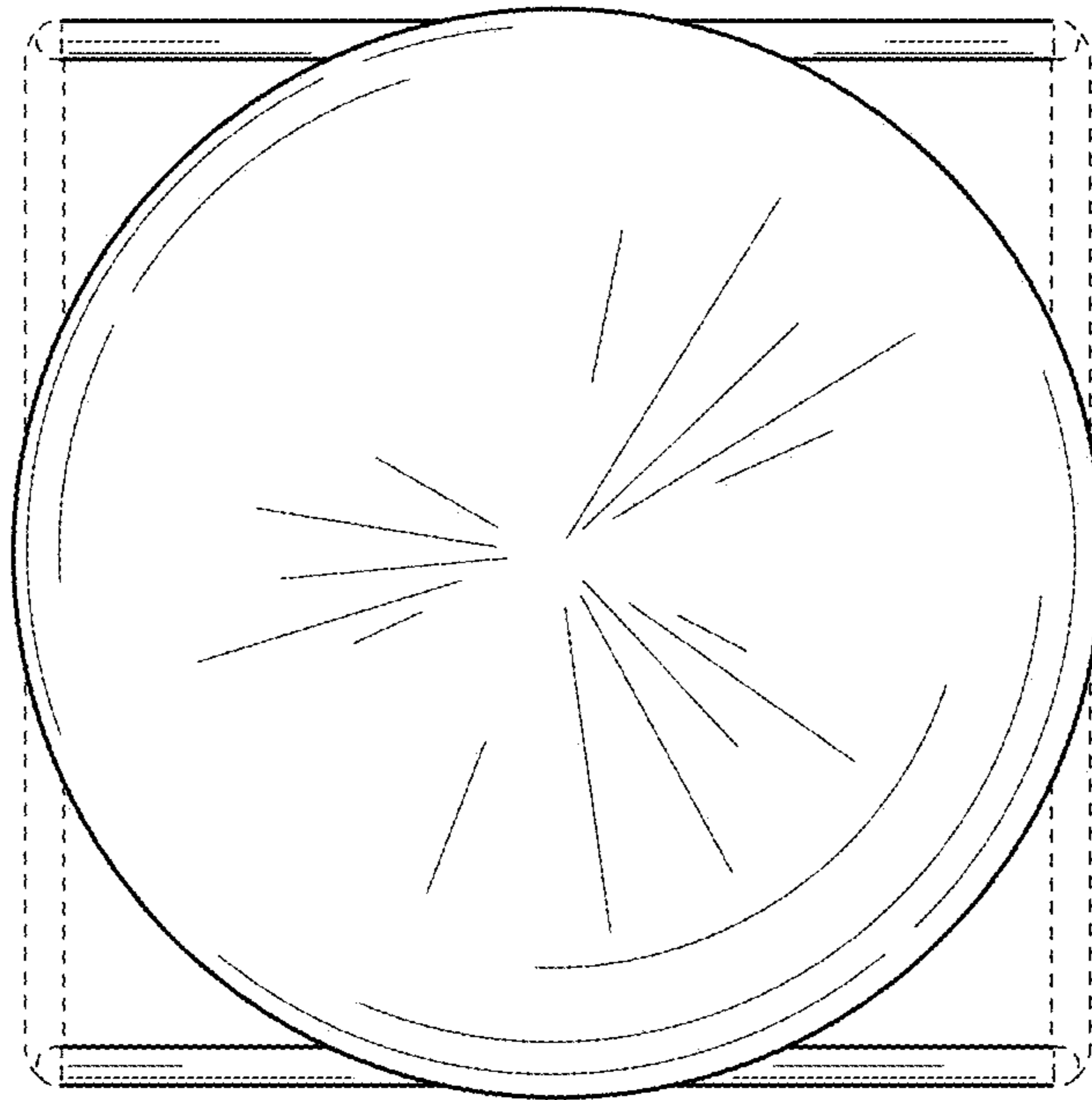


FIG. 6

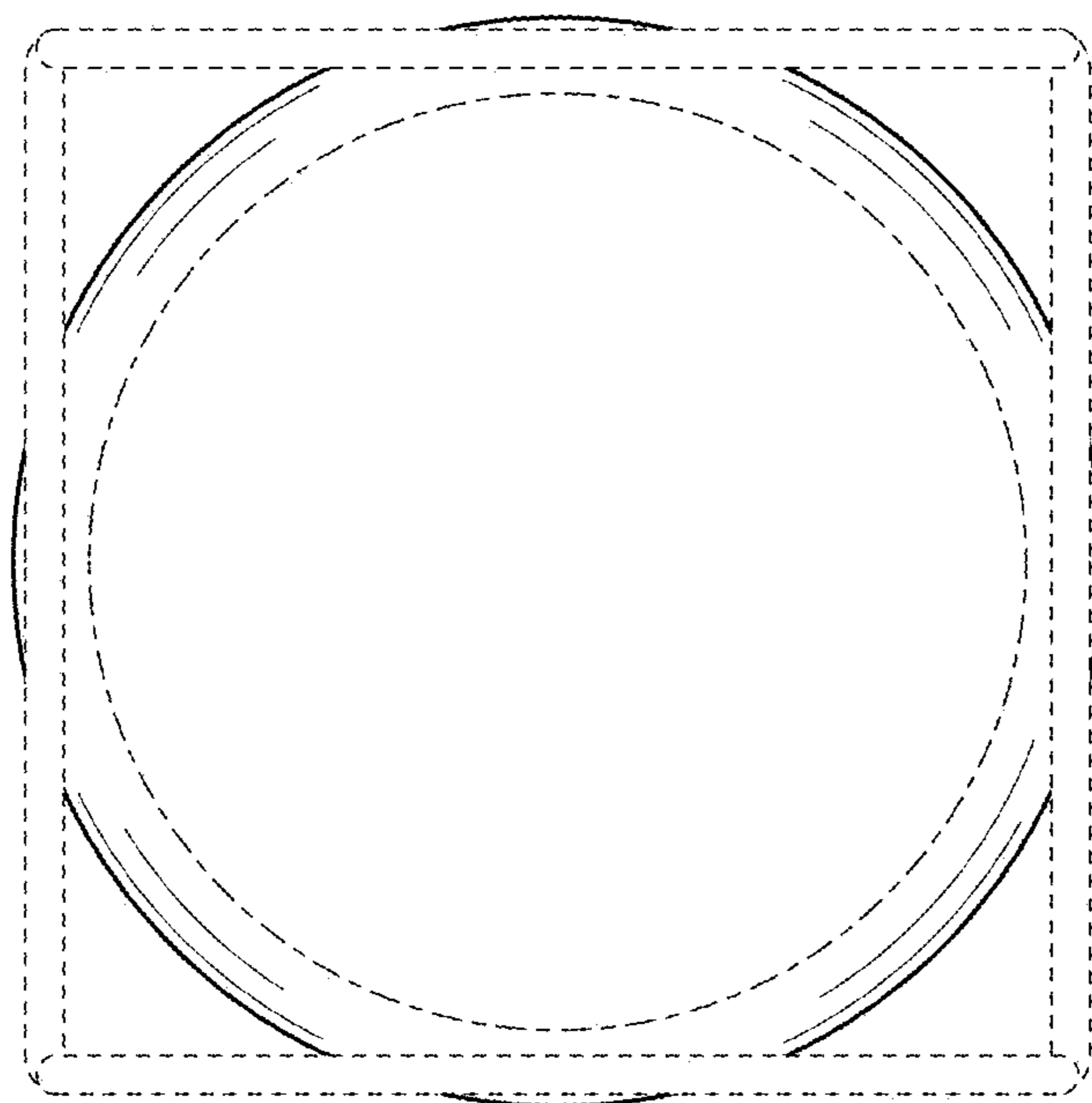


FIG. 7