



US00D874721S

(12) **United States Design Patent** (10) **Patent No.:** **US D874,721 S**
Lai (45) **Date of Patent:** **** Feb. 4, 2020**

(54) **ELECTRONIC CIGARETTE POWER SUPPLY DEVICE**

(71) Applicant: **SHENZHEN SMOORE TECHNOLOGY LIMITED**,
Shenzhen, Guangdong (CN)

(72) Inventor: **Baosheng Lai**, Guangdong (CN)

(73) Assignee: **Shenzhen Smoore Technology Limited**, Shenzhen (CN)

(**) Term: **15 Years**

(21) Appl. No.: **29/646,177**

(22) Filed: **May 2, 2018**

(30) **Foreign Application Priority Data**

Jan. 18, 2018 (CN) 2018 3 0024521

(51) **LOC (12) Cl.** **13-02**

(52) **U.S. Cl.**
USPC **D27/167; D13/103**

(58) **Field of Classification Search**
USPC D27/100, 101, 162-196; D23/366;
D24/110; D19/101, 106, 115, 165, 195;
D13/103
CPC A24F 47/00; A24F 47/002; A24F 15/12;
A24F 1/32; A61M 2205/8237; A61M
2205/82

See application file for complete search history.

(56) **References Cited**

U.S. PATENT DOCUMENTS

D385,654 S * 10/1997 Taylor D27/195
D427,140 S * 6/2000 Luh D13/103

(Continued)

Primary Examiner — Marissa J Cash

(74) *Attorney, Agent, or Firm* — Ladas & Parry LLP

(57) **CLAIM**

The ornamental design for an electronic cigarette power supply device, as shown and described.

DESCRIPTION

FIG. 1 is a front elevational view of embodiment 1 for an electronic cigarette power supply device showing my new design;

FIG. 2 is a rear elevational view thereof;

FIG. 3 is a left side elevational view thereof;

FIG. 4 is a right side elevational view thereof;

FIG. 5 is a top plan view thereof;

FIG. 6 is a bottom plan view thereof;

FIG. 7 is a front, right, and bottom perspective view thereof;

FIG. 8 is a rear, left, and top perspective view thereof;

FIG. 9 is a partially enlarged view thereof as indicated in FIG. 7; and

FIG. 10 is a partially enlarged view thereof as indicated in FIG. 8.

FIG. 11 is a front elevational view of embodiment 2 for the electronic cigarette power supply device showing my new design;

FIG. 12 is a rear elevational view thereof;

FIG. 13 is a left side elevational view thereof;

FIG. 14 is a right side elevational view thereof;

FIG. 15 is a top plan view thereof;

FIG. 16 is a bottom plan view thereof;

FIG. 17 is a front, right, and bottom perspective view thereof;

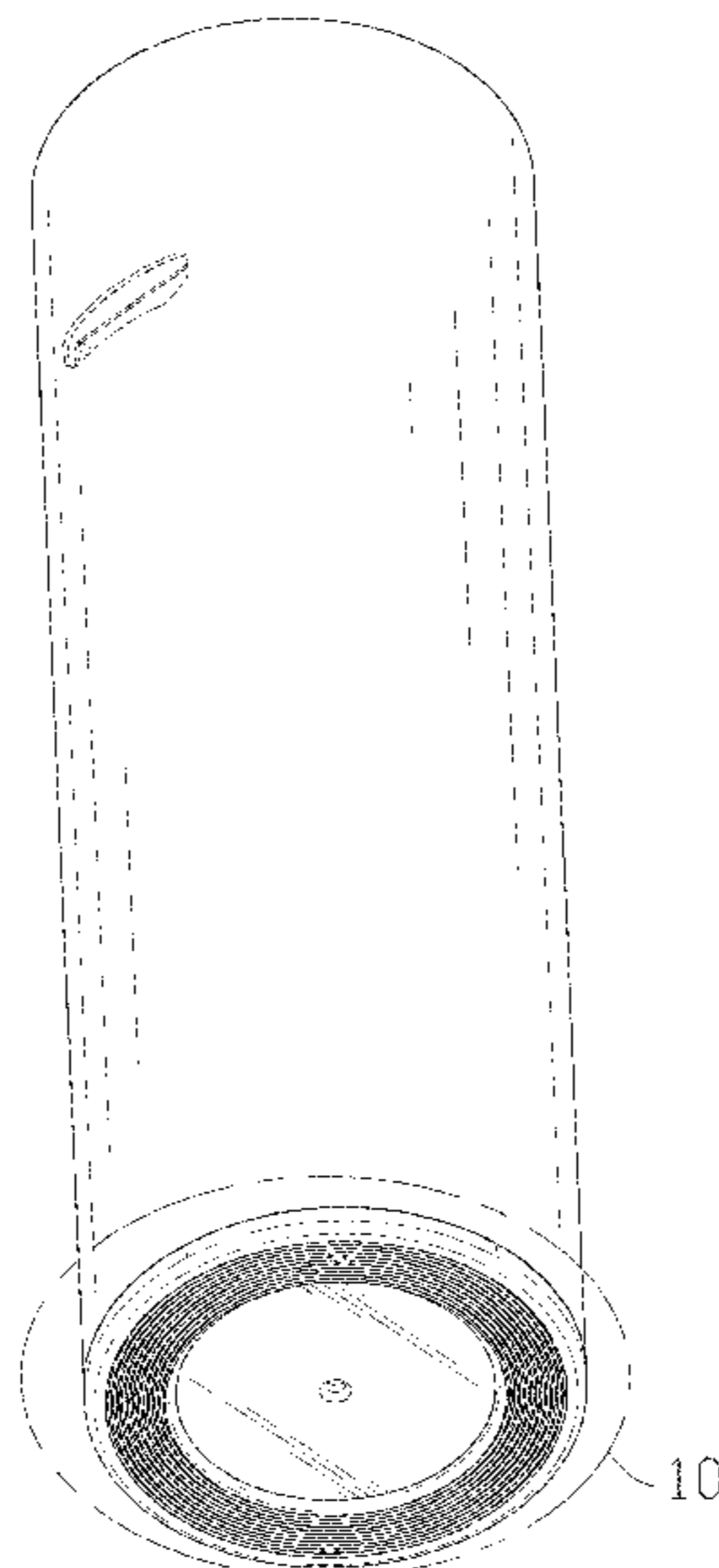
FIG. 18 is a rear, left, and top perspective view thereof;

FIG. 19 is a partially enlarged view thereof as indicated in FIG. 17; and,

FIG. 20 is a partially enlarged view thereof as indicated in FIG. 18.

The evenly-spaced broken lines in the drawings are for purposes of illustrating portions of the electronic cigarette power supply device that form no part of the claim; the dash-dot-dash lines are for purposes of referencing the enlarged views only and form no part of the claim.

1 Claim, 20 Drawing Sheets



(56)

References Cited

U.S. PATENT DOCUMENTS

D590,989 S *	4/2009	Hon	D27/101	D825,838 S *	8/2018	Abroff	D27/101
D590,990 S *	4/2009	Hon	D27/101	D826,470 S *	8/2018	Huang	D27/167
D590,991 S *	4/2009	Hon	D27/101	D829,369 S *	9/2018	Stone	D27/101
D664,498 S *	7/2012	Liu	D13/103	D829,976 S *	10/2018	Stone	D27/101
D683,897 S *	6/2013	Liu	D27/170	10,085,485 B2 *	10/2018	Hunt	A24F 47/008
D684,311 S *	6/2013	Liu	D27/101	D844,222 S *	3/2019	Yamada	D27/101
D693,765 S *	11/2013	Workman	D13/110	D844,557 S *	4/2019	Wang	D13/103
D702,876 S *	4/2014	Liu	D27/194	D846,492 S *	4/2019	Verleur	D13/103
D720,499 S *	12/2014	Alima	D27/167	D850,714 S *	6/2019	Guo	D27/194
D740,221 S *	10/2015	Popper	D13/103	2014/0041655 A1 *	2/2014	Barron	A61M 11/042 128/202.21
D743,622 S *	11/2015	Alima	D27/167	2015/0189916 A1 *	7/2015	Wu	A24F 47/008 219/510
D762,564 S *	8/2016	Patton	D13/103	2015/0296889 A1 *	10/2015	Liu	A24F 47/008 131/329
D763,788 S *	8/2016	Bakker	D13/103	2015/0332379 A1 *	11/2015	Alarcon	A24F 15/18 705/26.81
D774,452 S *	12/2016	Rost	D13/103	2015/0335072 A1 *	11/2015	Giller	F21V 33/0004 131/328
D785,862 S *	5/2017	Wu	D27/167	2015/0342255 A1 *	12/2015	Wu	A61M 15/06 131/329
D788,362 S *	5/2017	Qiu	D27/101	2015/0342258 A1 *	12/2015	Chen	H05B 3/06 131/329
9,700,691 B2 *	7/2017	Watanabe	A24F 47/002	2016/0106936 A1 *	4/2016	Kimmel	A24F 47/008 128/202.21
D799,108 S *	10/2017	Meyer	D27/101	2016/0295913 A1 *	10/2016	Guo	B05B 17/0615
D799,112 S *	10/2017	Qiu	D27/101	2017/0127722 A1 *	5/2017	Davis	A24F 47/008
D799,745 S *	10/2017	Qiu	D27/101	2018/0160737 A1 *	6/2018	Verleur	A24F 47/008
D805,248 S *	12/2017	Chen	D27/170	2018/0166238 A1 *	6/2018	Chen	A24F 47/00
D806,942 S *	1/2018	Qiu	D27/101	2018/0184716 A1 *	7/2018	Song	A24F 47/008
D809,705 S *	2/2018	Mironov	D27/101	2019/0000143 A1 *	1/2019	Zhu	A24F 47/008
D811,651 S *	2/2018	Abroff	D27/101					
D813,155 S *	3/2018	Yamada	D13/103					
D821,028 S *	6/2018	Tucker	D27/101					
D824,101 S *	7/2018	Scott	D27/189					
D825,835 S *	8/2018	Verleur	D27/101					
D825,836 S *	8/2018	Abroff	D27/101					
D825,837 S *	8/2018	Abroff	D27/101					

* cited by examiner

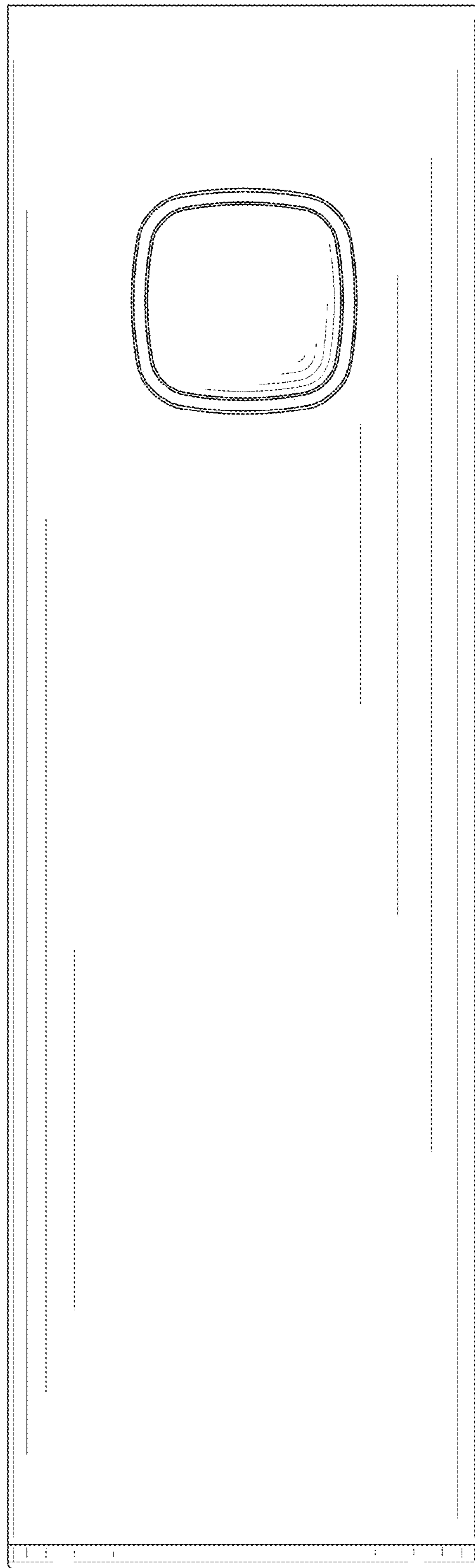


FIG. 1

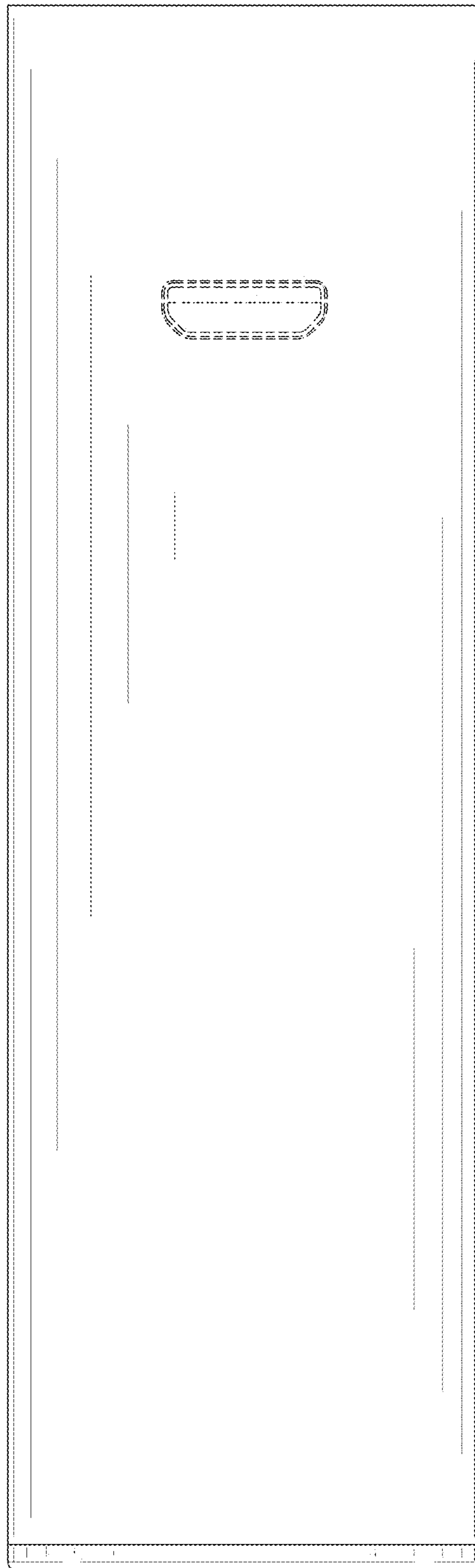


FIG. 2

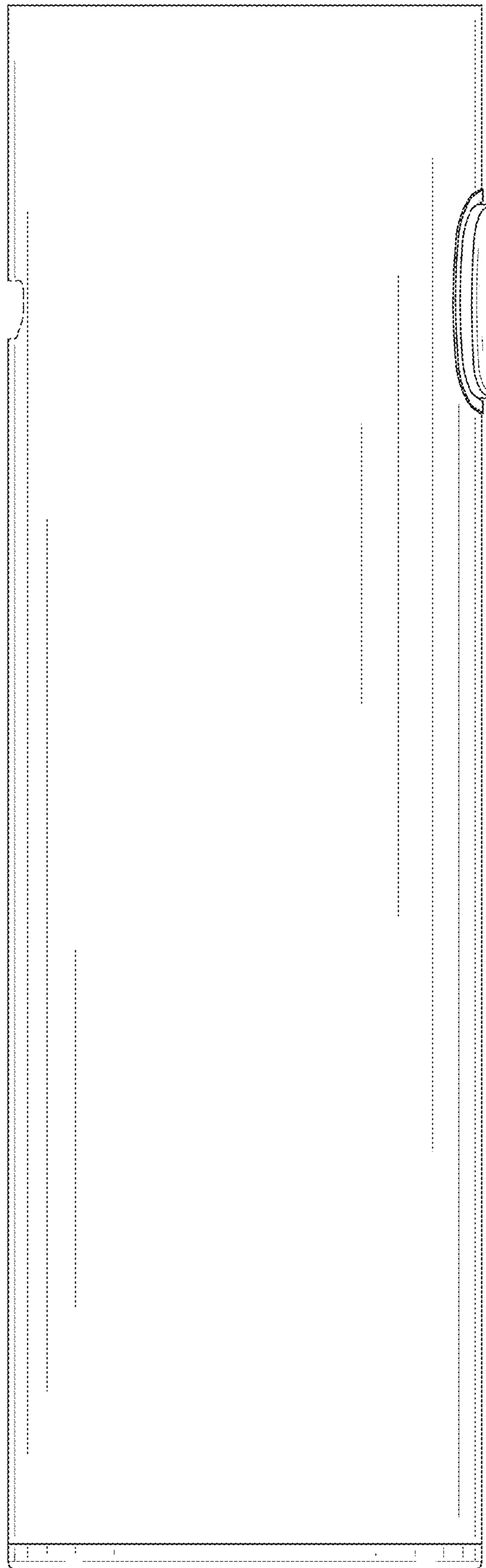


FIG. 3

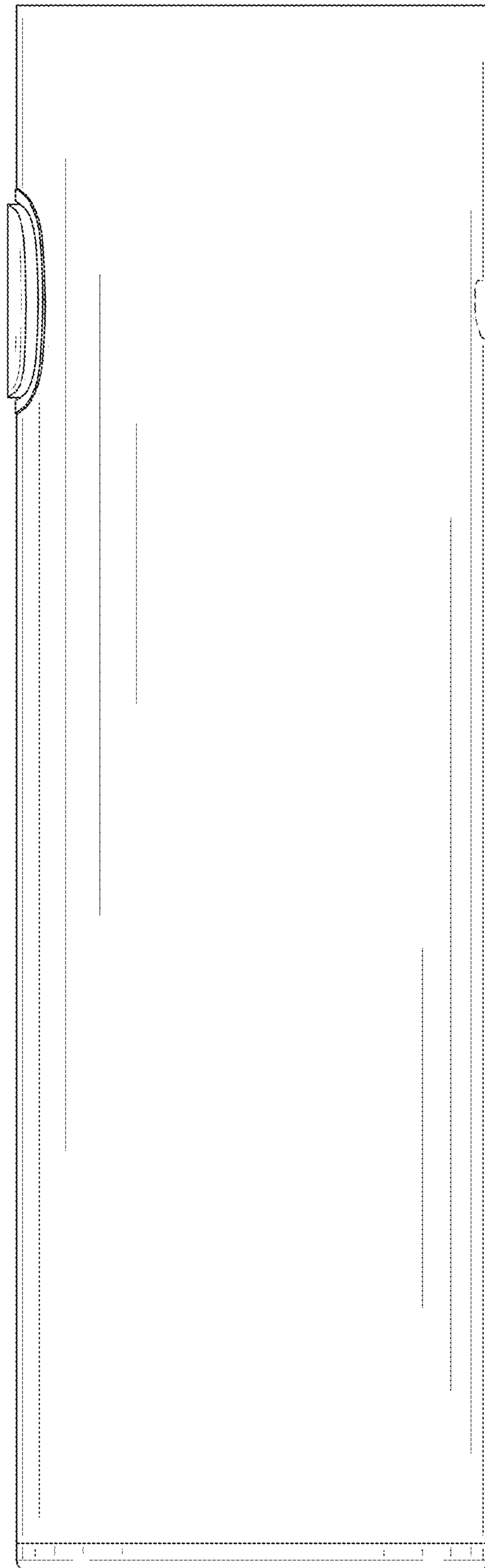


FIG. 4

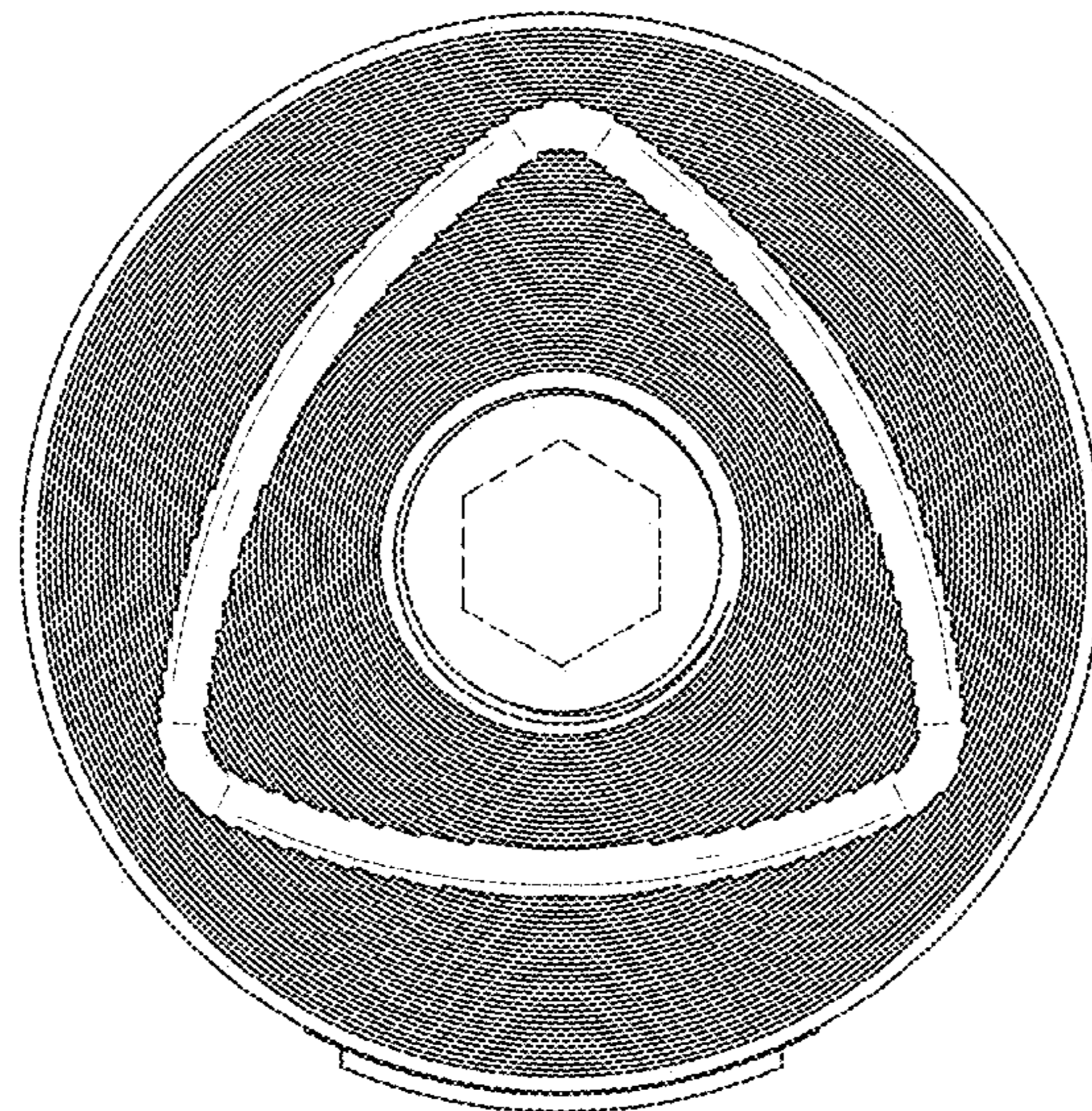


FIG. 5

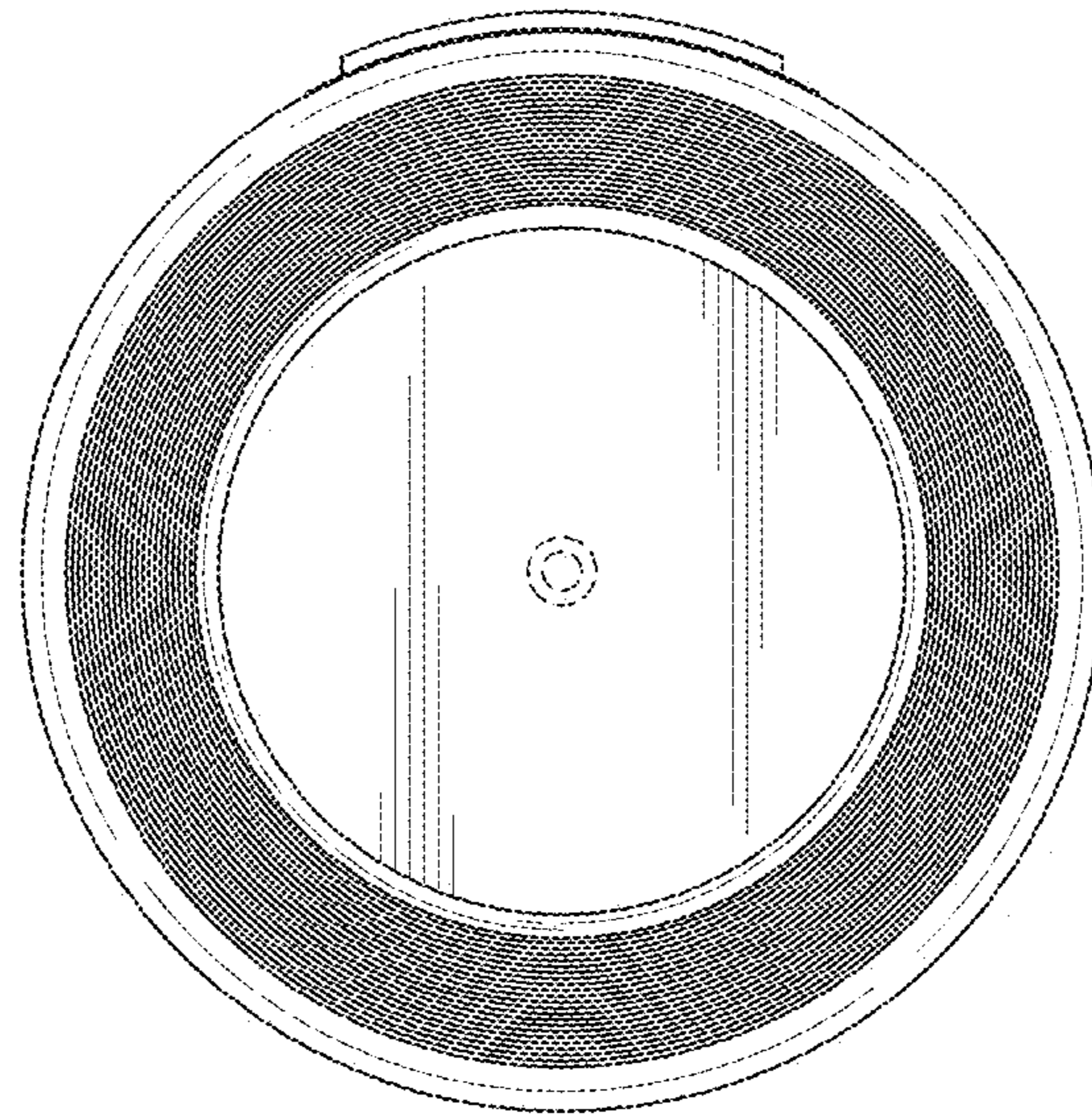


FIG. 6

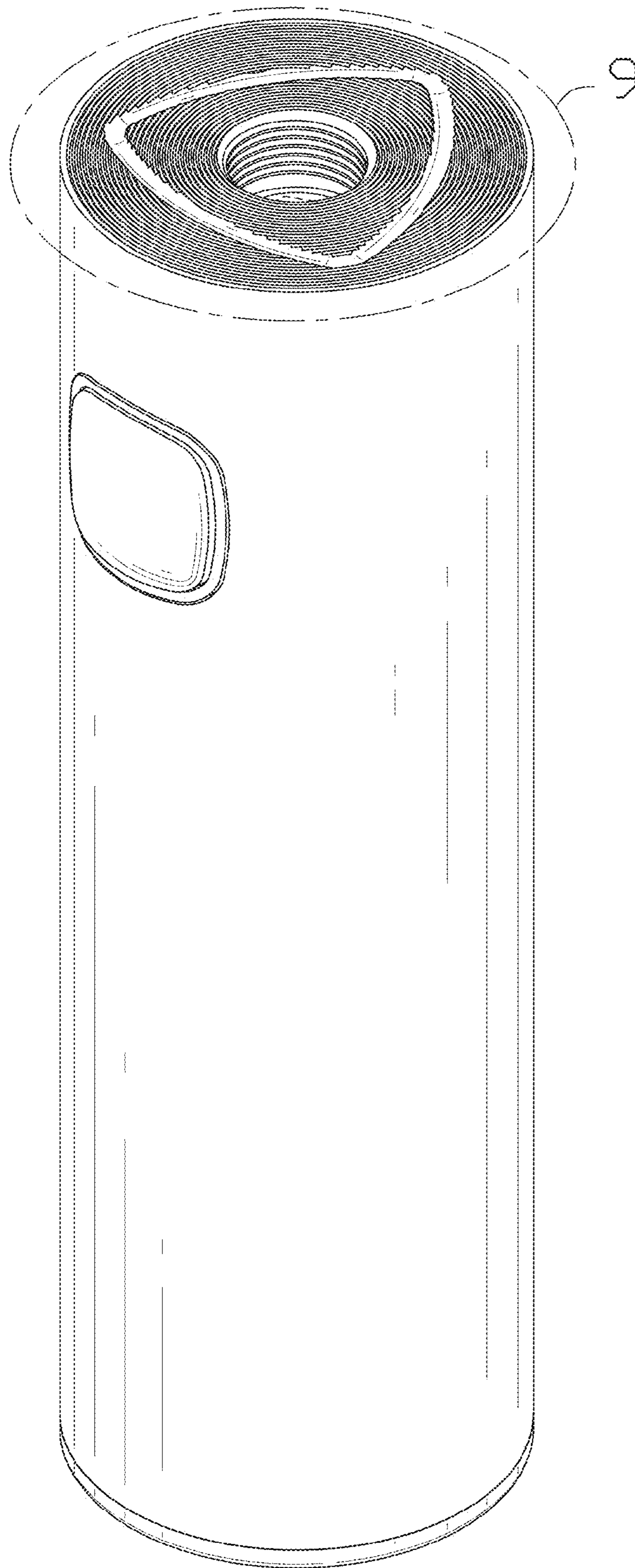


FIG. 7

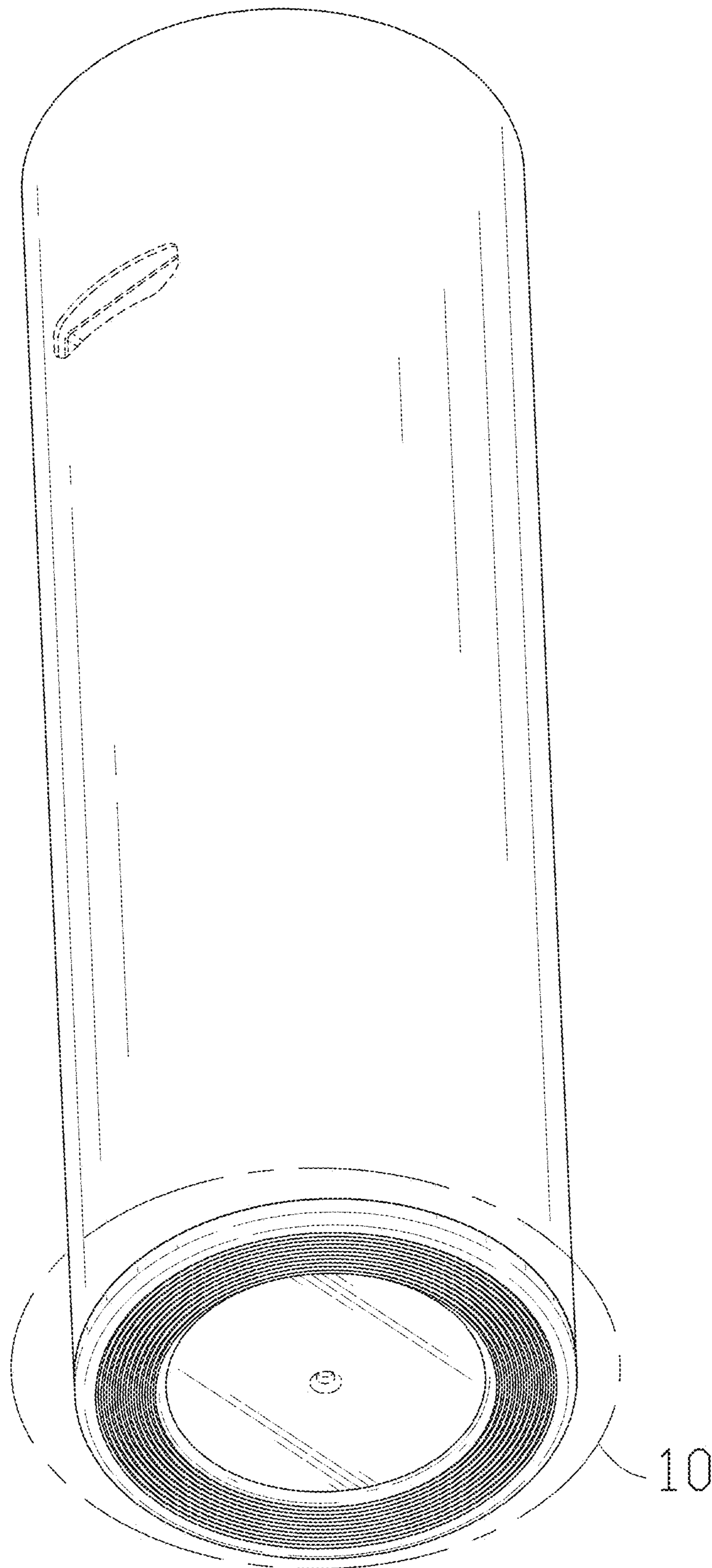


FIG. 8

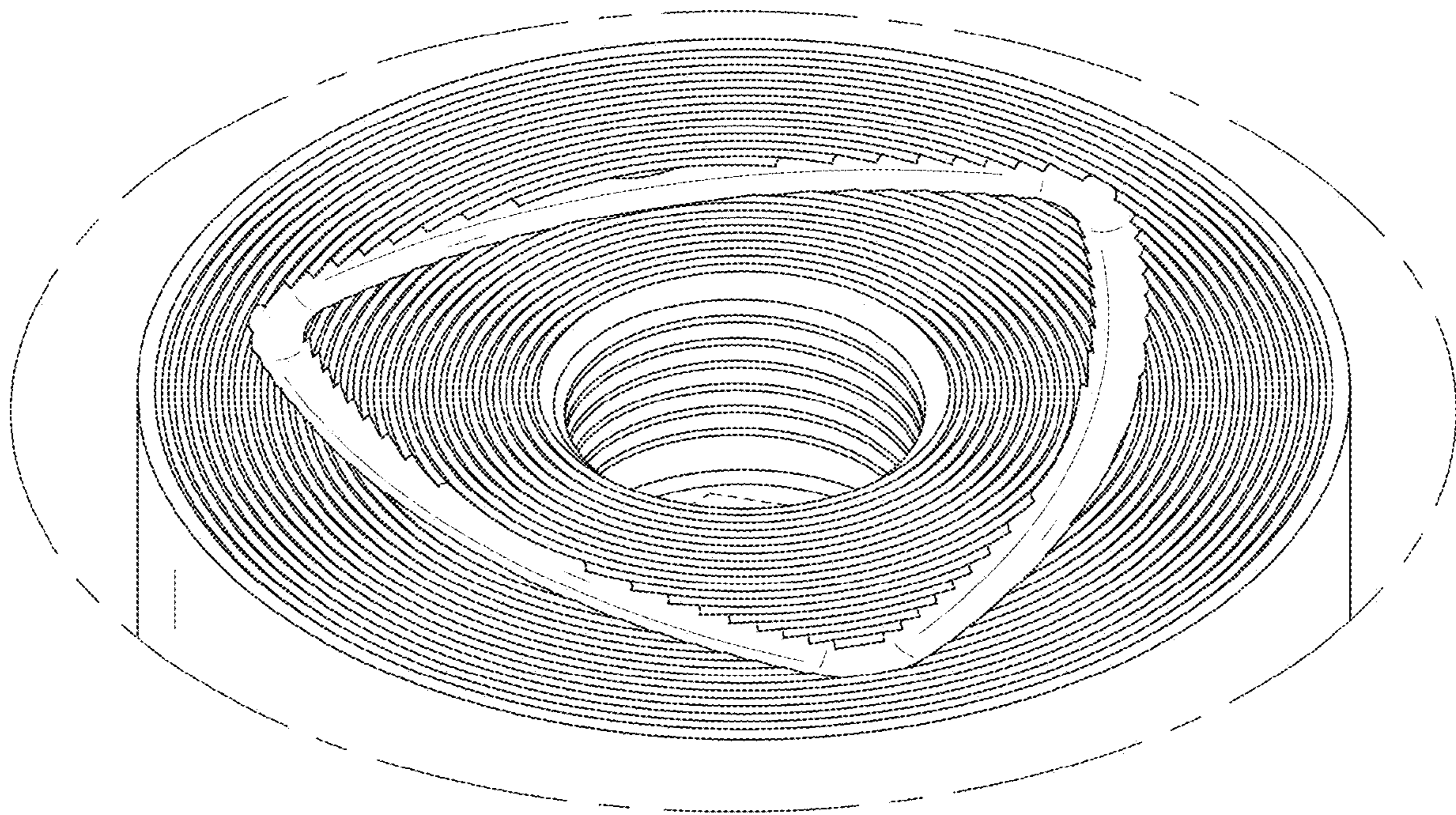


FIG. 9

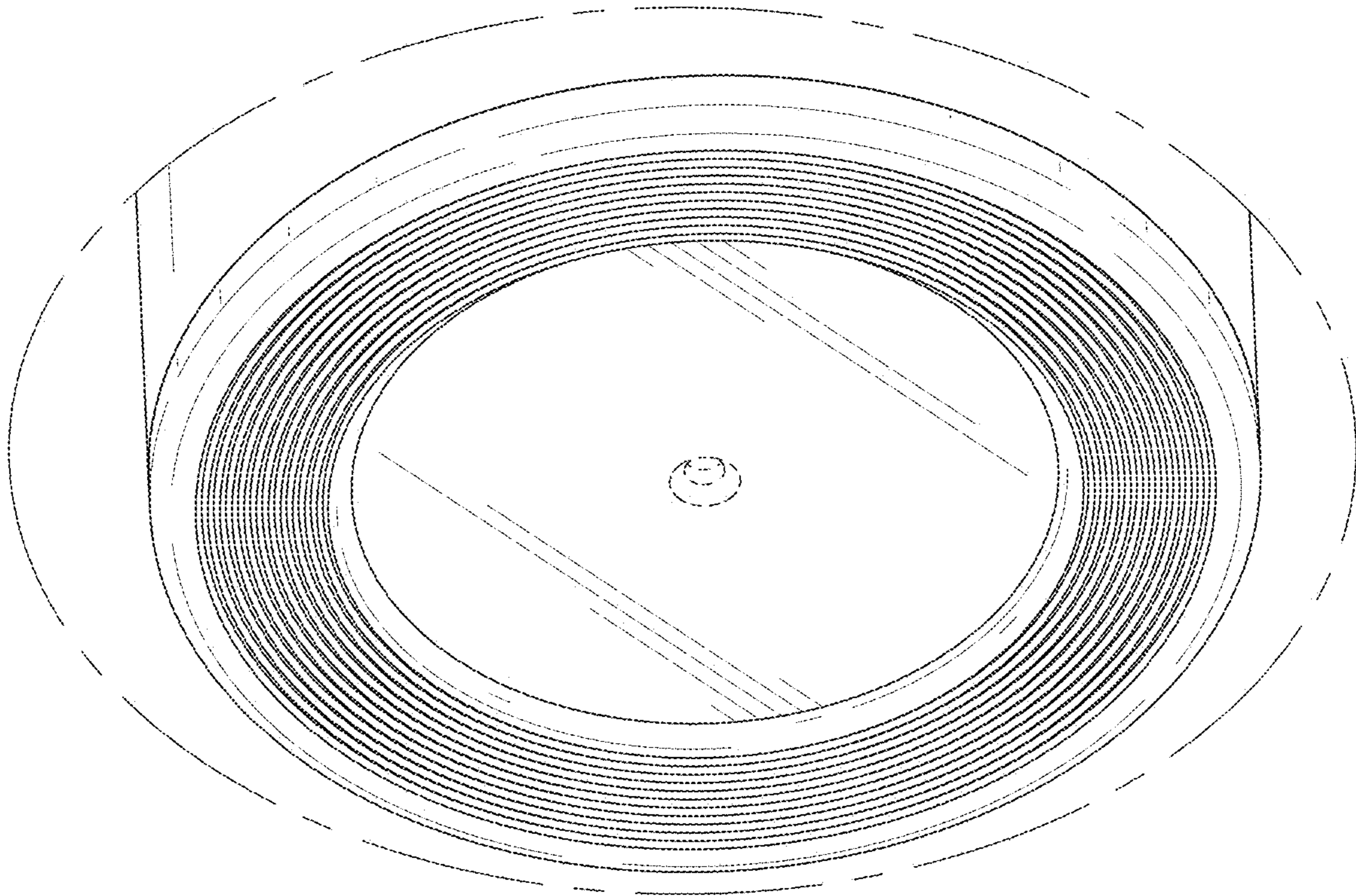


FIG. 10

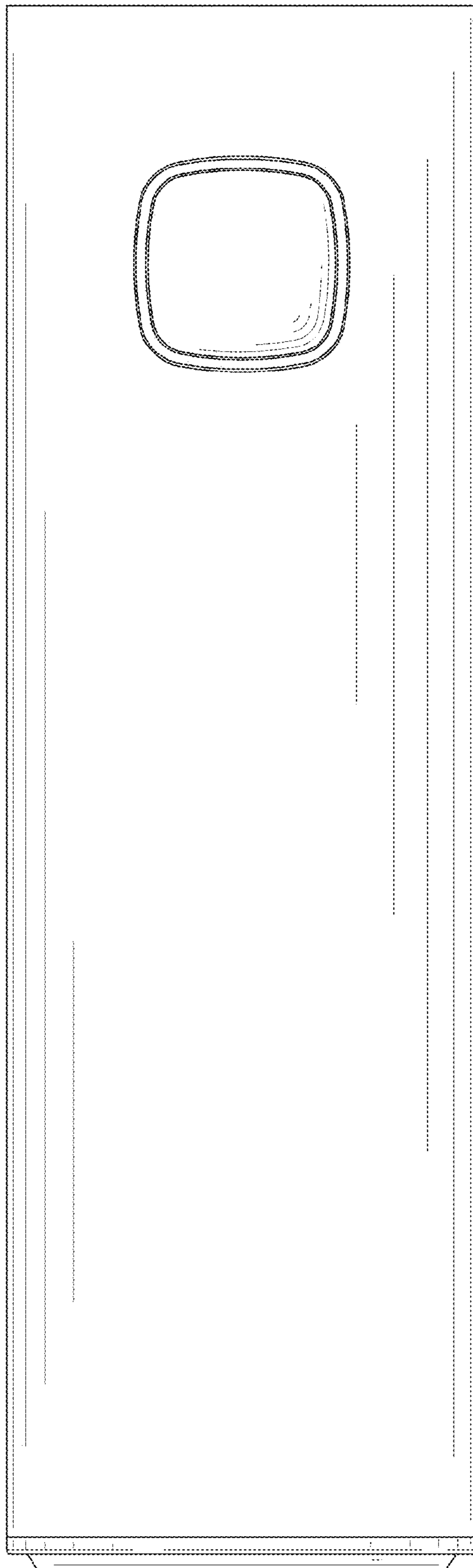


FIG. 11

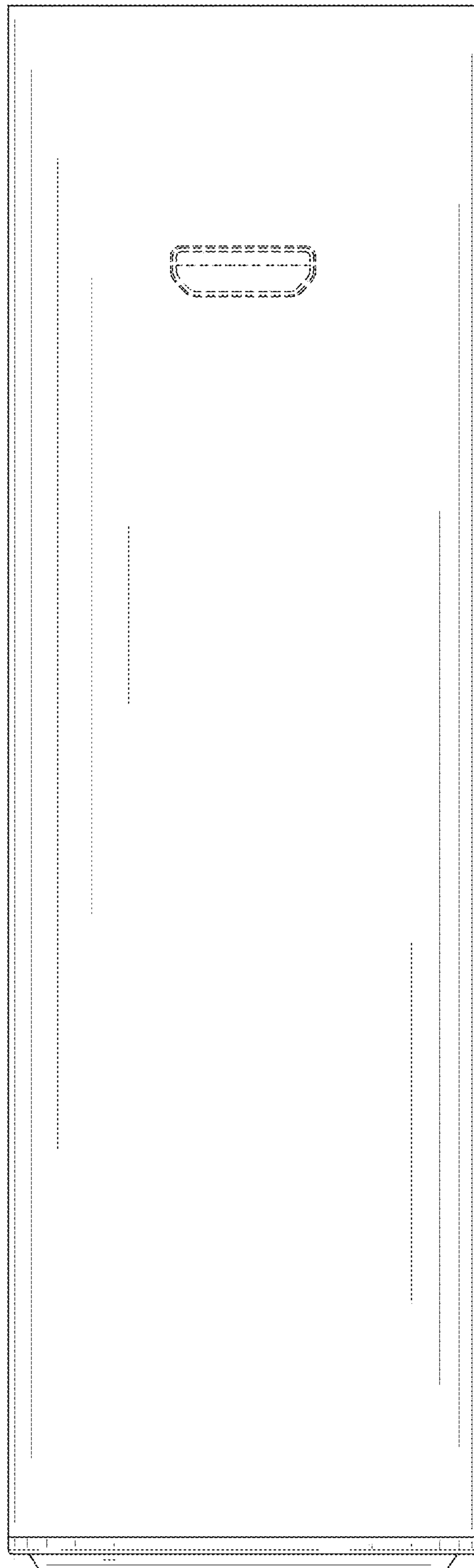


FIG. 12

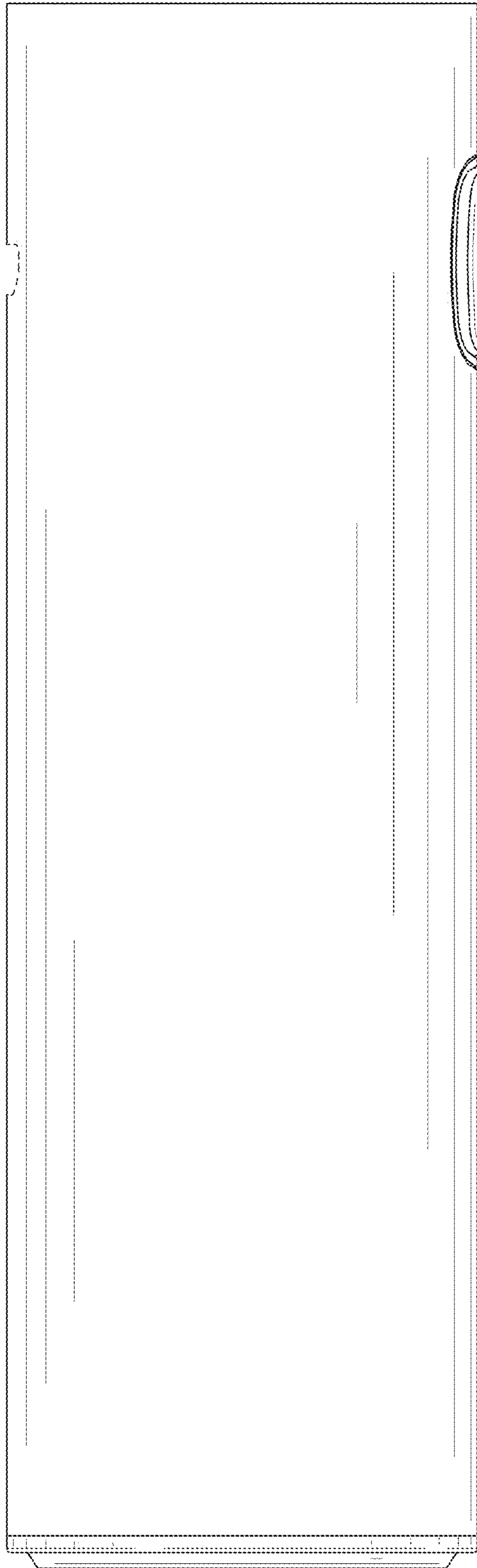


FIG. 13

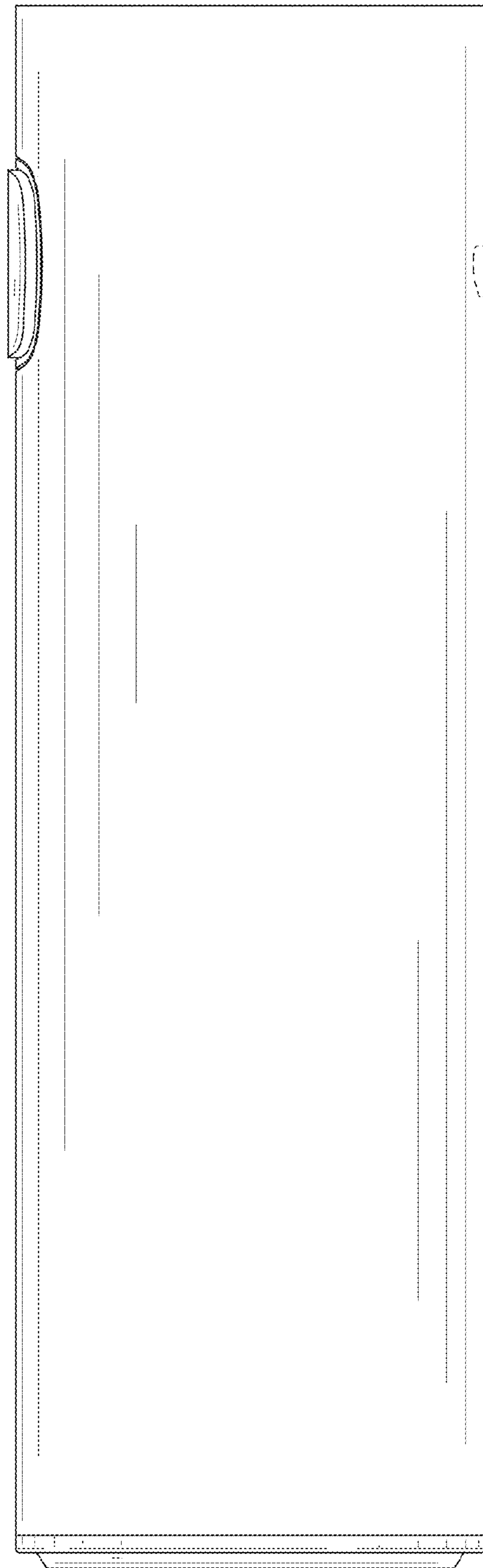


FIG. 14

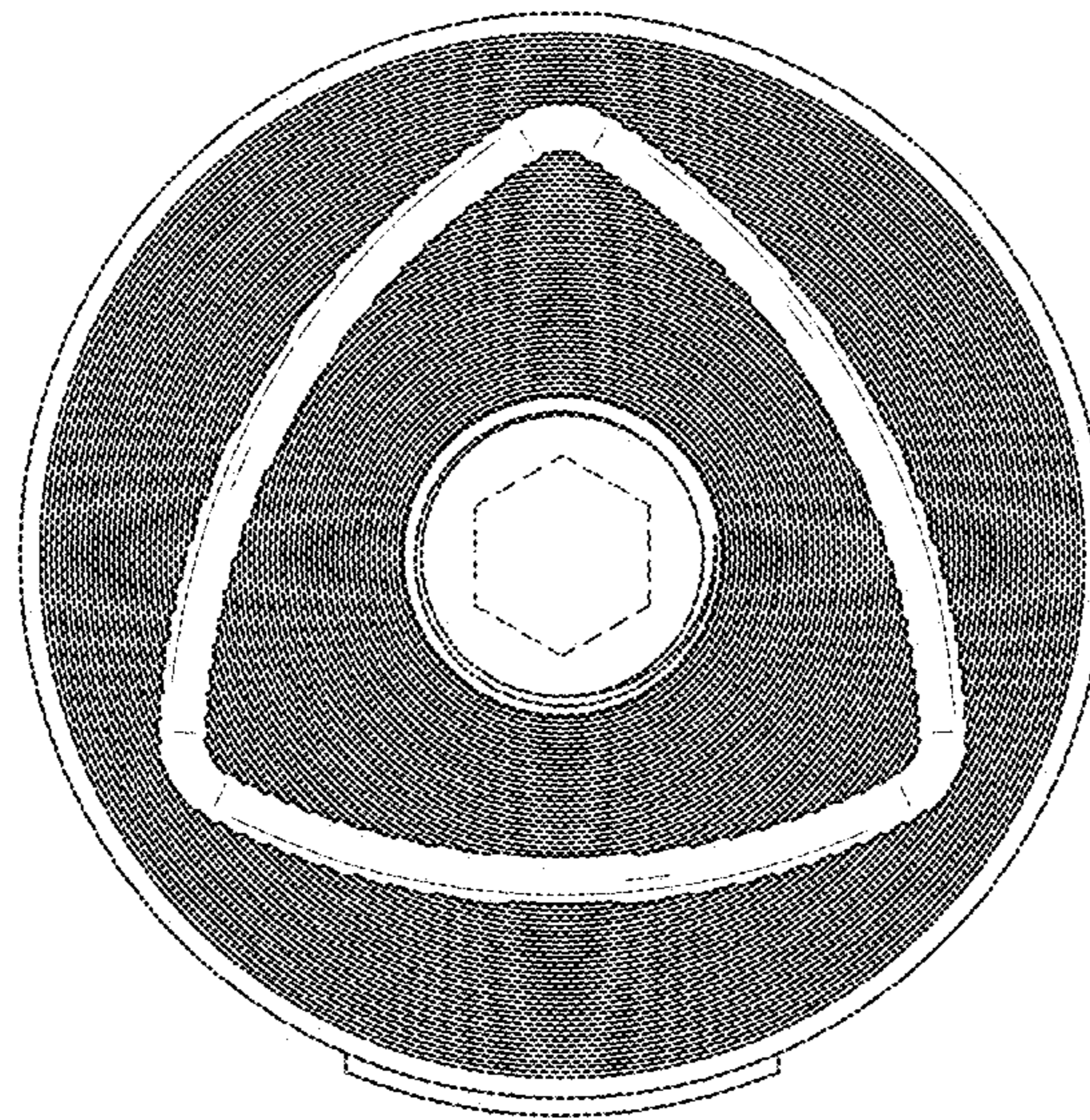


FIG. 15

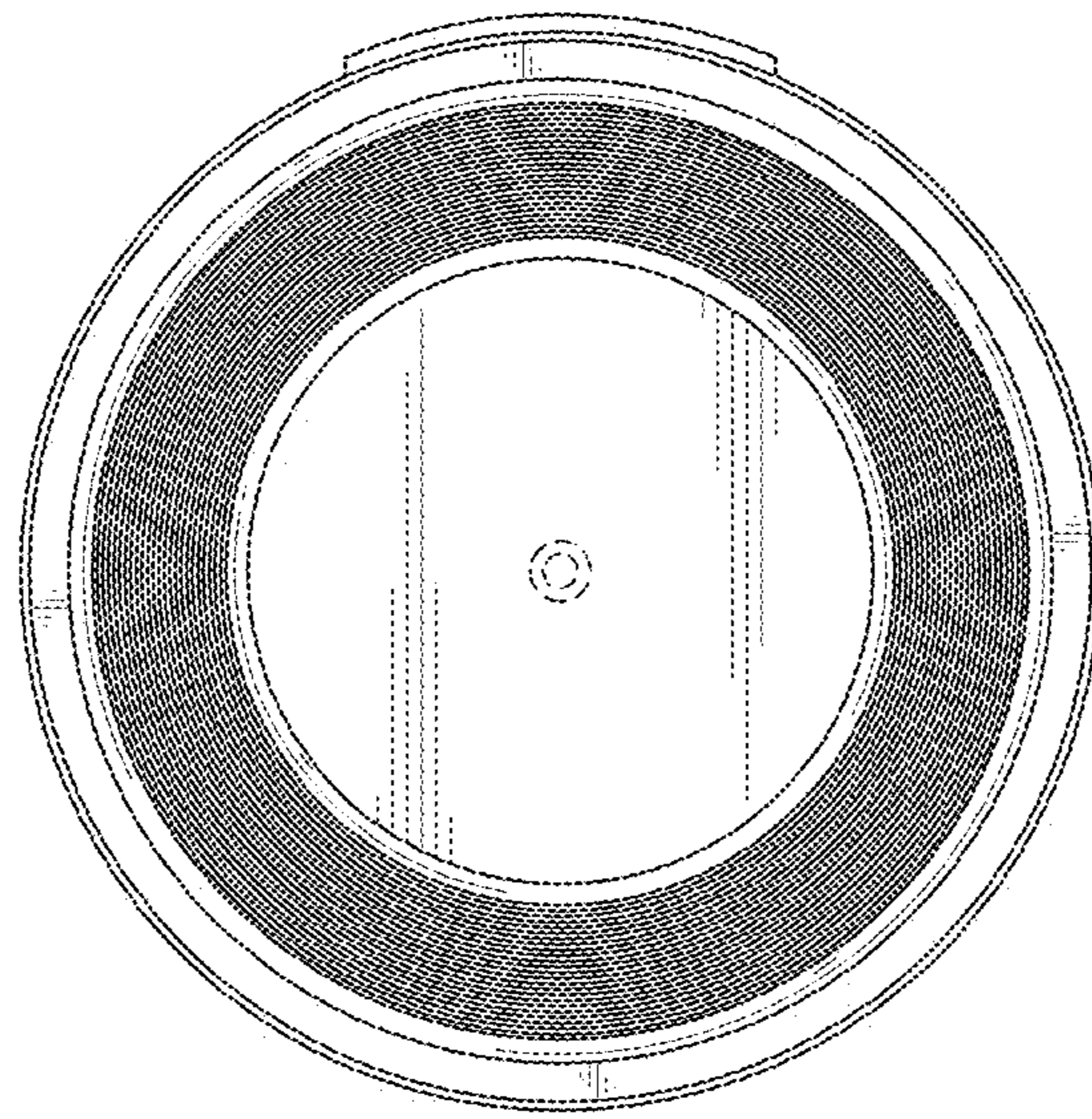


FIG. 16

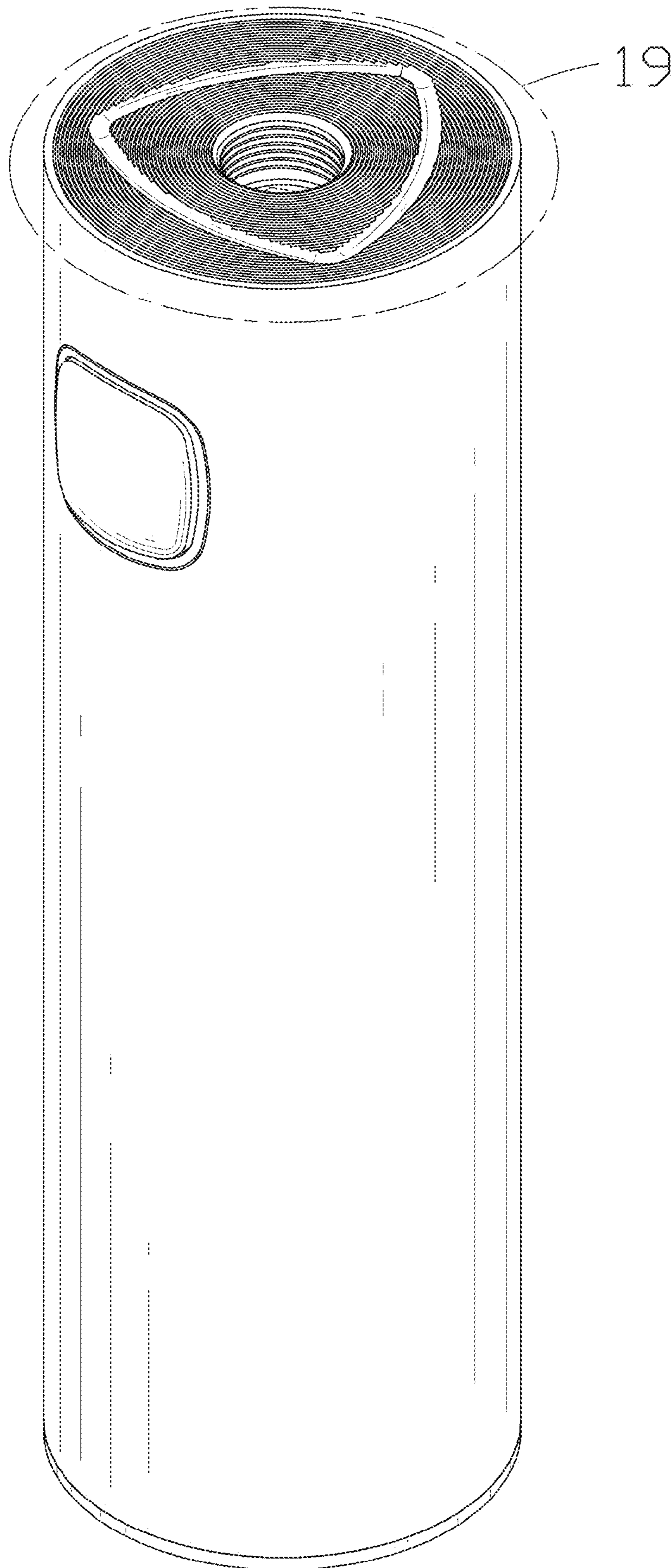


FIG. 17

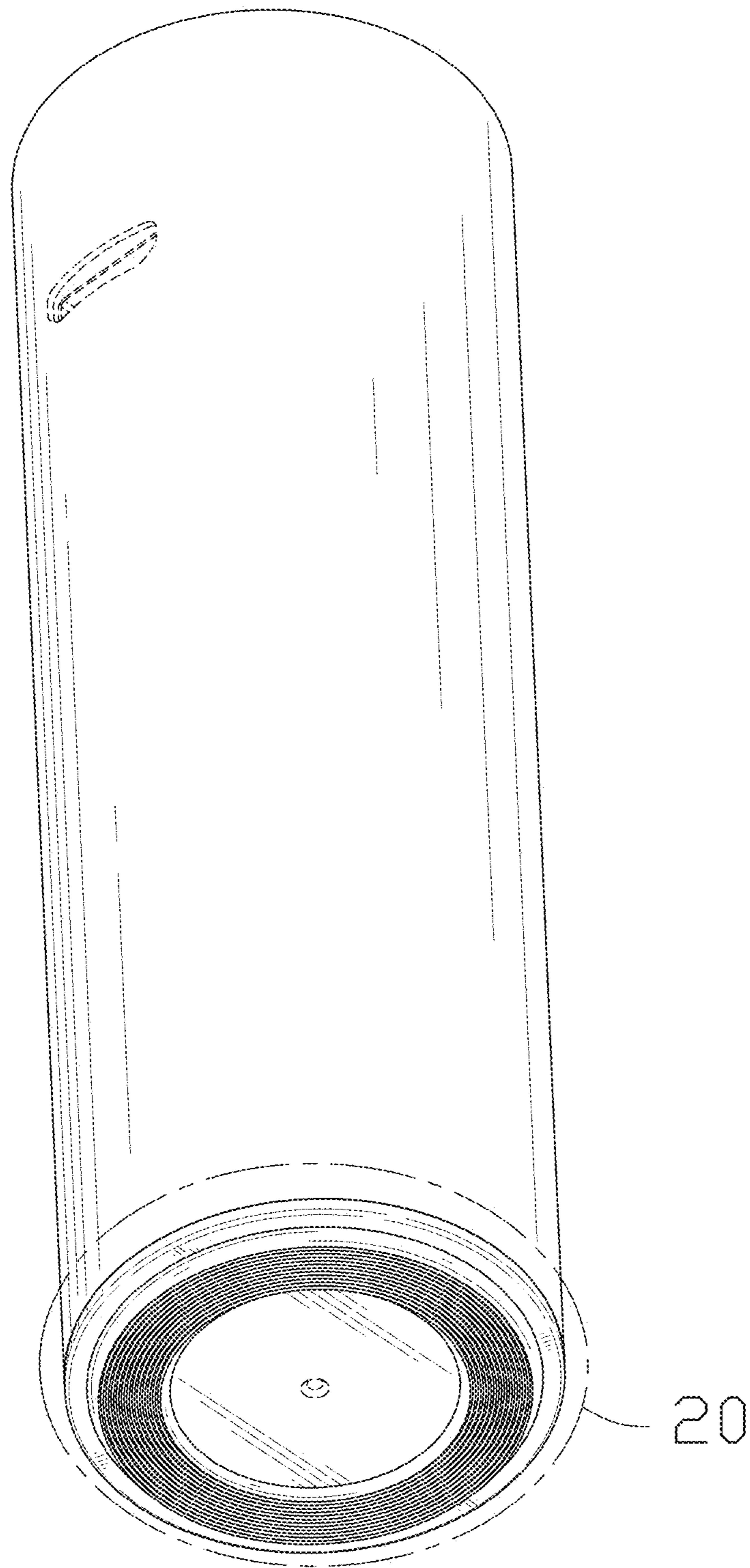


FIG. 18

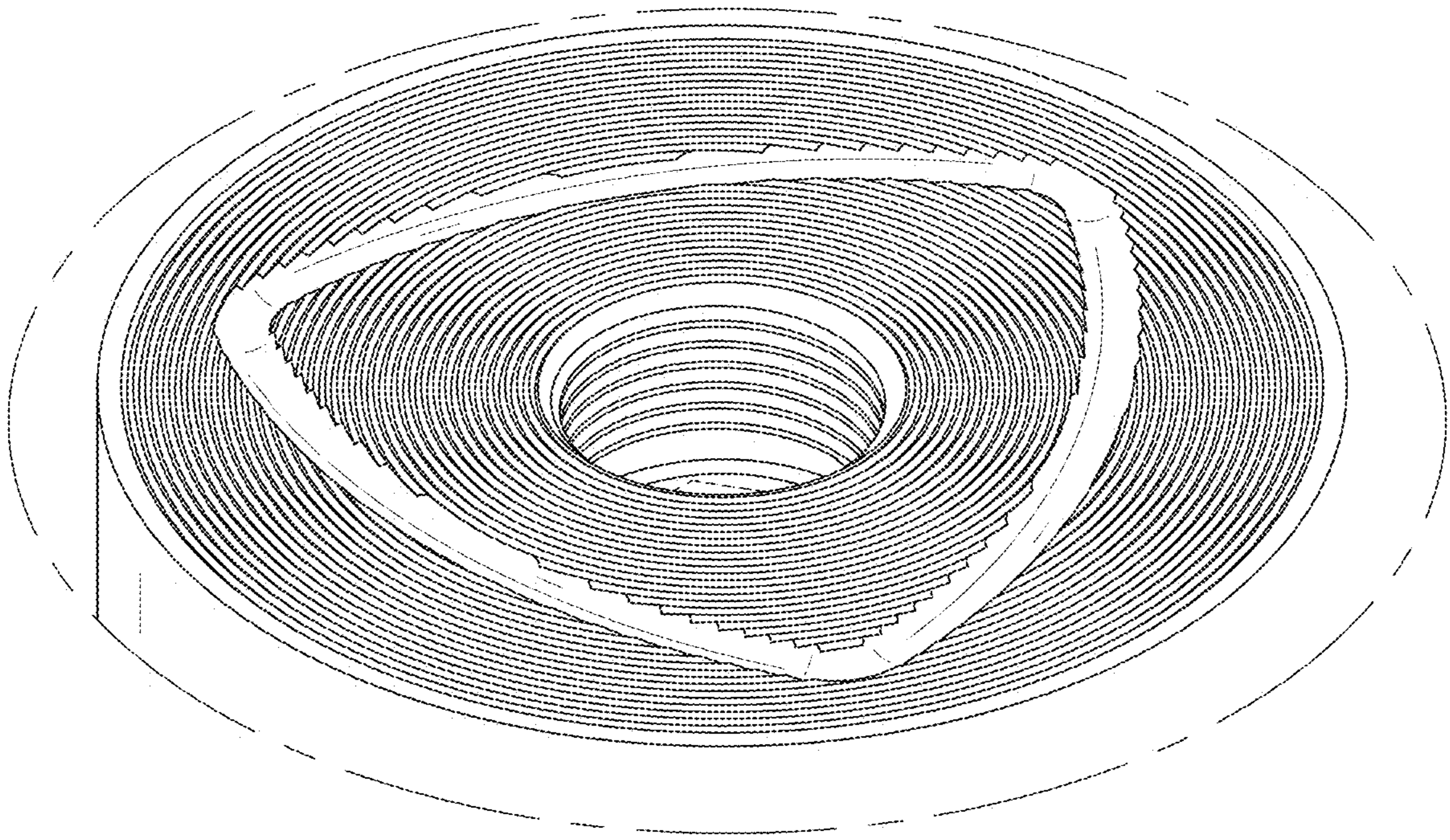


FIG. 19

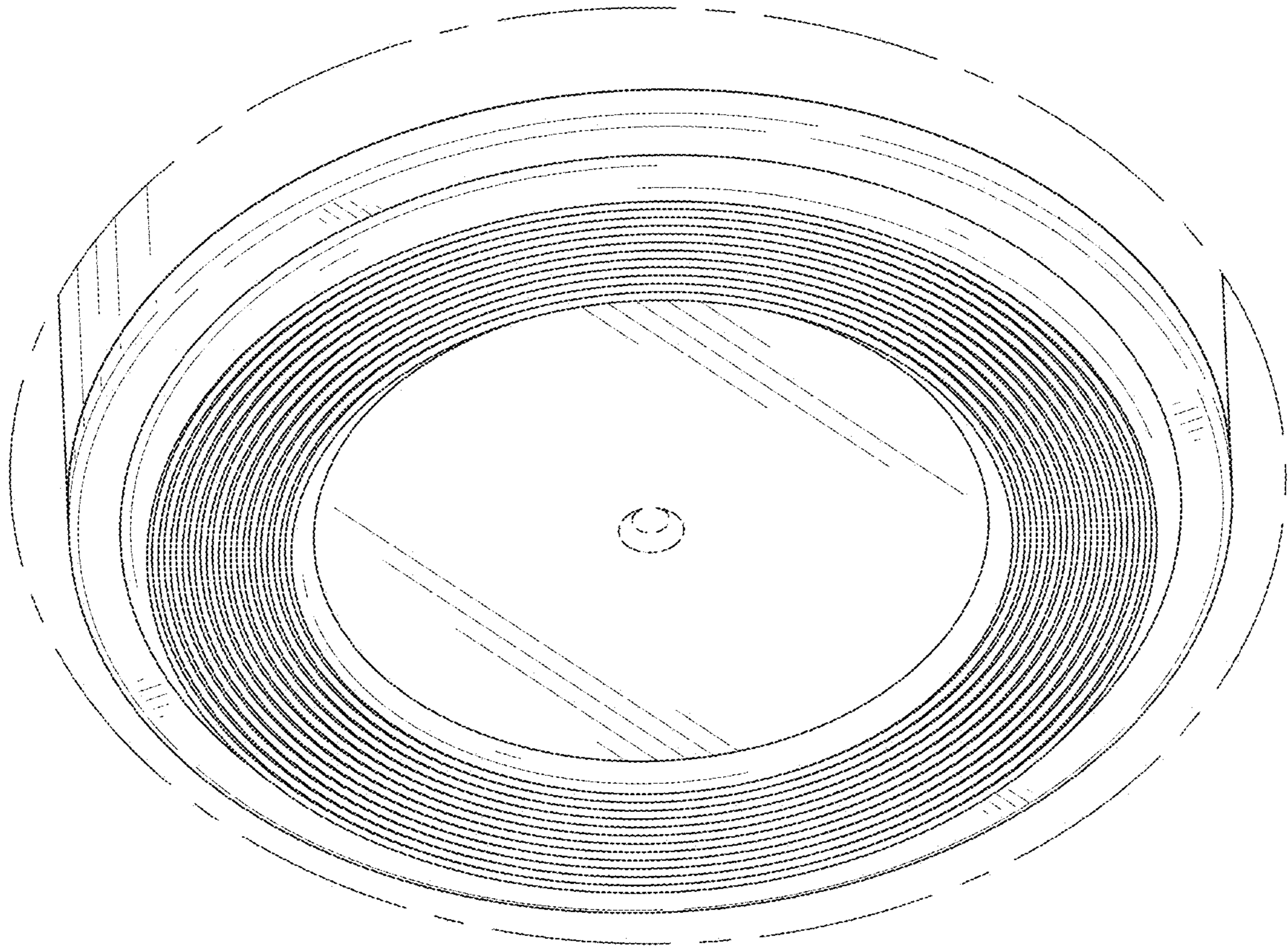


FIG. 20