

US00D874719S

(12) **United States Design Patent** (10) **Patent No.:** **US D874,719 S**
Yuan (45) **Date of Patent:** **** Feb. 4, 2020**

(54) **ATOMIZER**

(71) Applicant: **YGREEN INC.**, Rowland Heights, CA (US)

(72) Inventor: **Guolin Yuan**, Shenzheng (CN)

(73) Assignee: **YGREEN INC.**, Rowland Heights, CA (US)

(**) Term: **15 Years**

(21) Appl. No.: **29/667,939**

(22) Filed: **Oct. 25, 2018**

(51) **LOC (12) Cl.** **27-02**

(52) **U.S. Cl.**
USPC **D27/162**

(58) **Field of Classification Search**
USPC D27/162, 100, 101, 163–165, 172,
D27/174–176, 183, 186–192, 194, 185;
128/202.21, 203.12; 131/191, 329, 330,
131/273, 270, 360–365
CPC A24F 9/00; A24F 47/002; A24F 47/004;
A24F 47/006; A24F 47/008; A61M
15/00; A61M 15/06
See application file for complete search history.

(56) **References Cited**

U.S. PATENT DOCUMENTS

D749,261 S *	2/2016	Chen	D27/162
D771,307 S *	11/2016	Wu	D27/101
D780,991 S *	3/2017	Liu	D27/101
D784,610 S *	4/2017	Bosch	D27/101
D806,943 S *	1/2018	Liu	D27/101
D811,652 S *	2/2018	Liu	D27/167
D817,544 S *	5/2018	Chen	D27/167
9,968,127 B2 *	5/2018	Han	A24F 1/28
D823,534 S *	7/2018	Chen	D27/162
D849,317 S *	5/2019	Qiu	D27/162

D853,635 S *	7/2019	Chen	D27/194
2016/0007654 A1 *	1/2016	Zhu	A24F 47/008 131/328
2017/0013881 A1 *	1/2017	Liu	A24F 47/008
2018/0360126 A1 *	12/2018	Chen	A24F 47/008

OTHER PUBLICATIONS

<https://legendtank.en.made-in-china.com/product/vNgQmenTaDhS/China-V7-de-Vape-Carts-Disposable-510-Cdb-GLS-The-Oil-Atomizer.html> (Jul. 20, 2019).*

* cited by examiner

Primary Examiner — Susan Bennett Hattan
Assistant Examiner — Rebecca Tsehaye
(74) *Attorney, Agent, or Firm* — Mitchell Law PLLC;
Matthew W. Mitchell

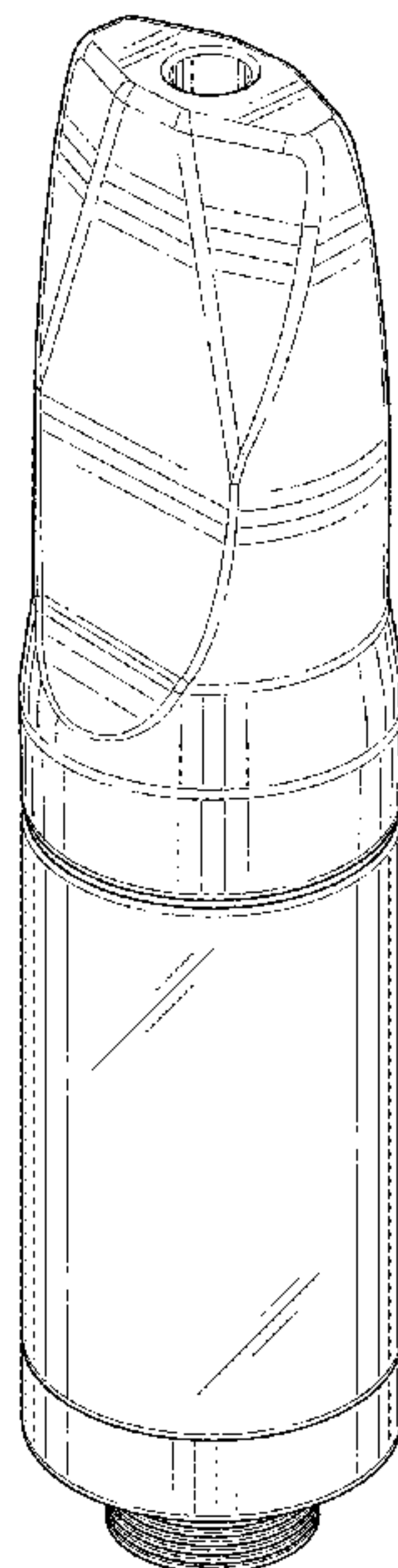
(57) **CLAIM**

The ornamental design for an atomizer, as shown and described.

DESCRIPTION

FIG. 1 is a top perspective view of the atomizer of the present invention, the middle portion being transparent; FIG. 2 is a bottom perspective view thereof; FIG. 3 is a first side view thereof; FIG. 4 is a second side view thereof; FIG. 5 is a third side view thereof; FIG. 6 is a fourth side view thereof; FIG. 7 top plan view thereof; and, FIG. 8 is a bottom plan view thereof. The broken lines in the drawings depict portions of the atomizer that form no part of the claimed design.

1 Claim, 8 Drawing Sheets



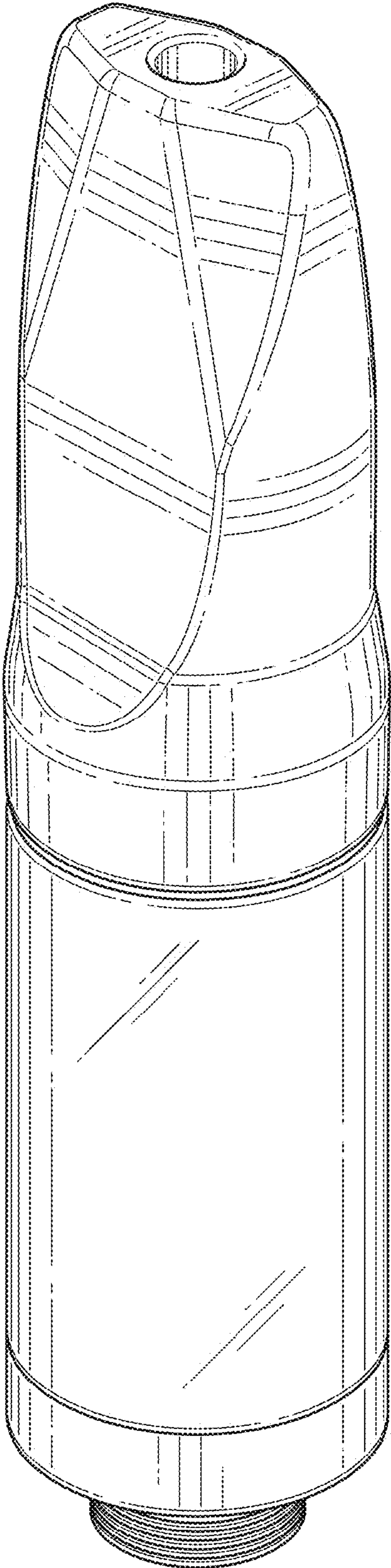


FIG. 1

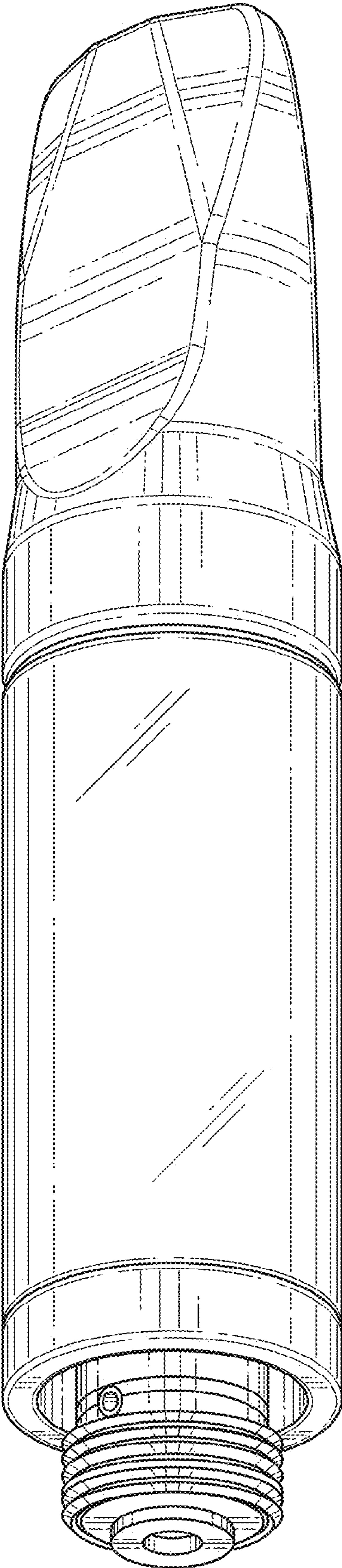


FIG. 2

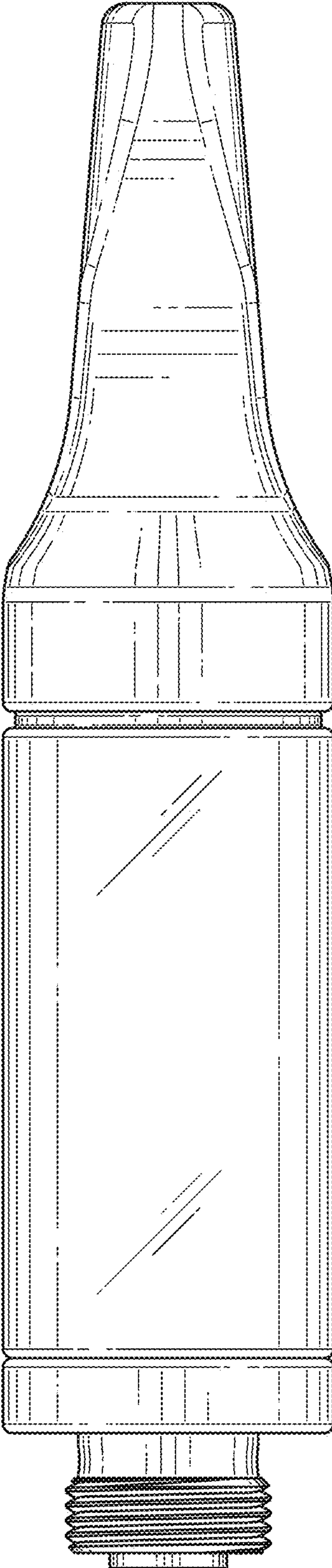


FIG. 3

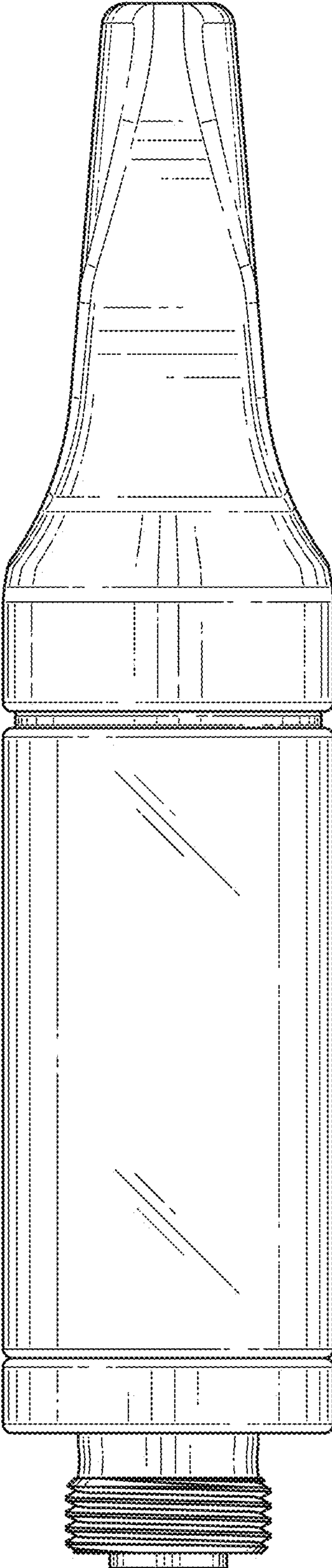


FIG. 4

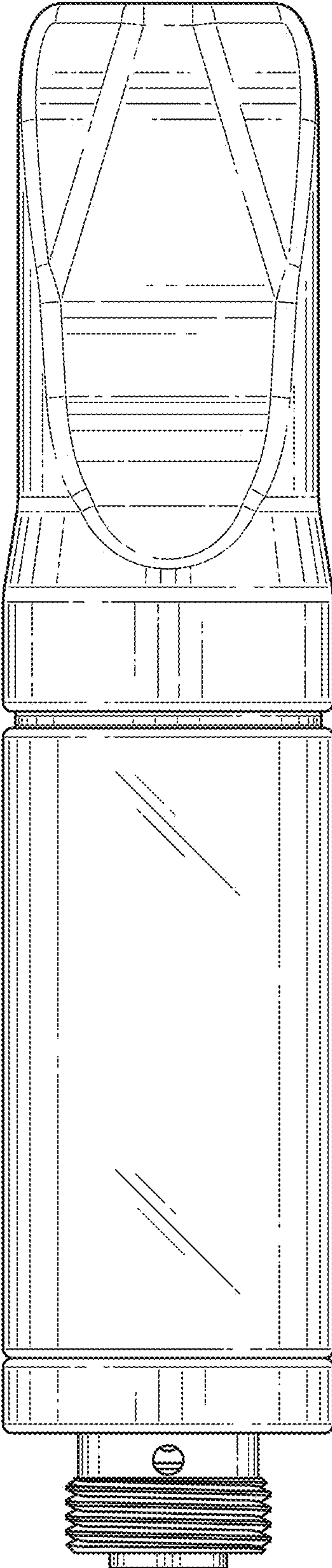


FIG. 5

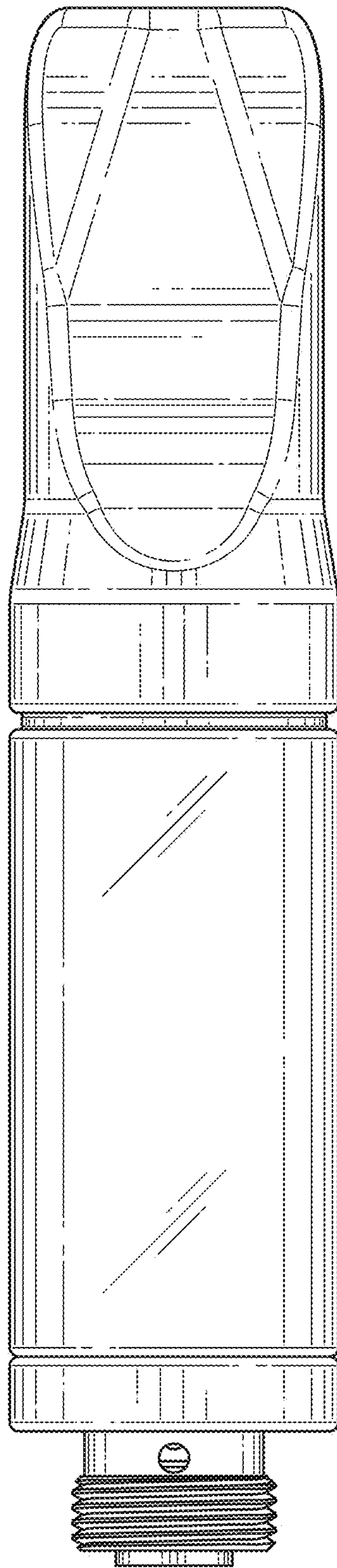


FIG. 6

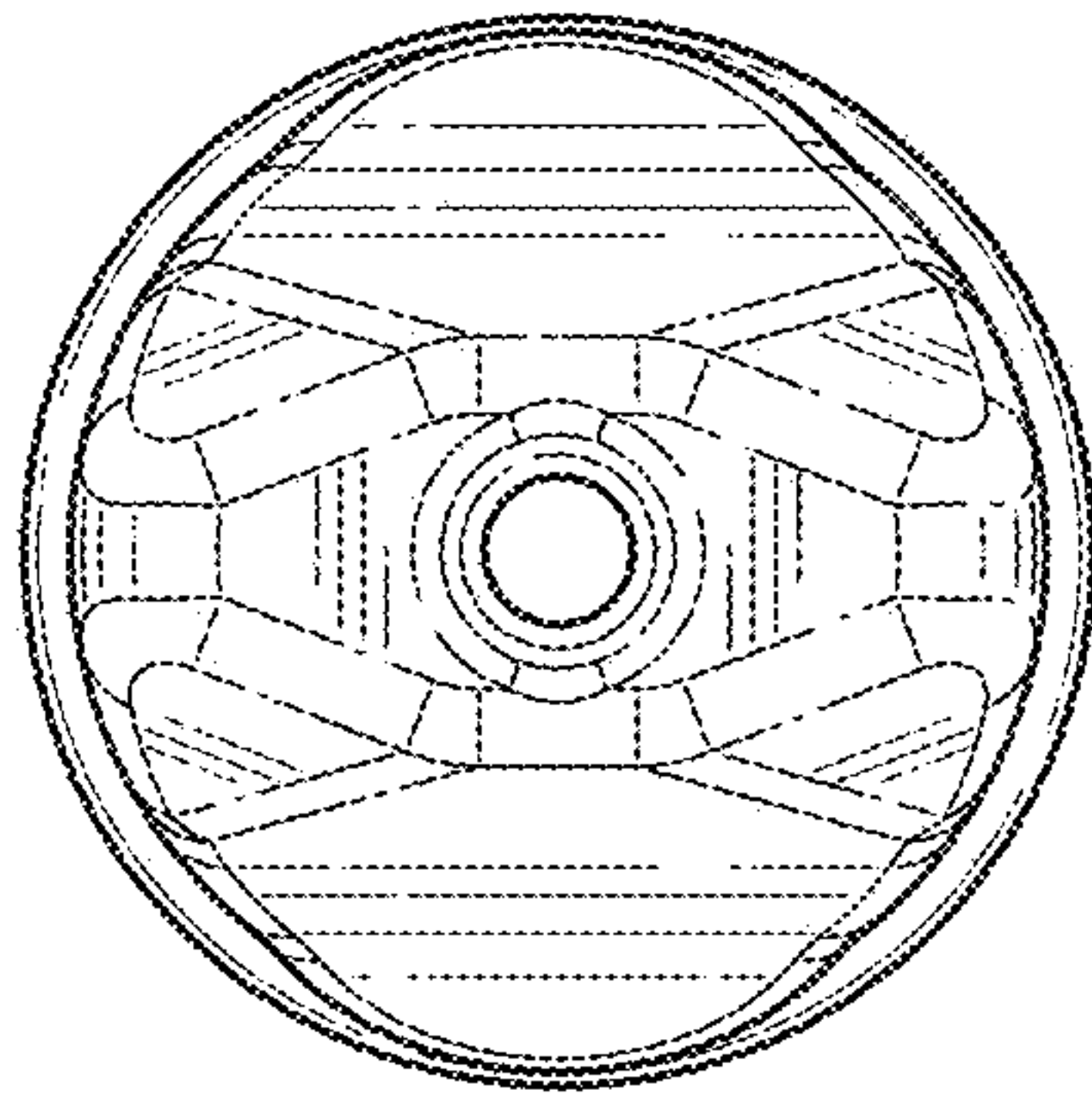


FIG. 7

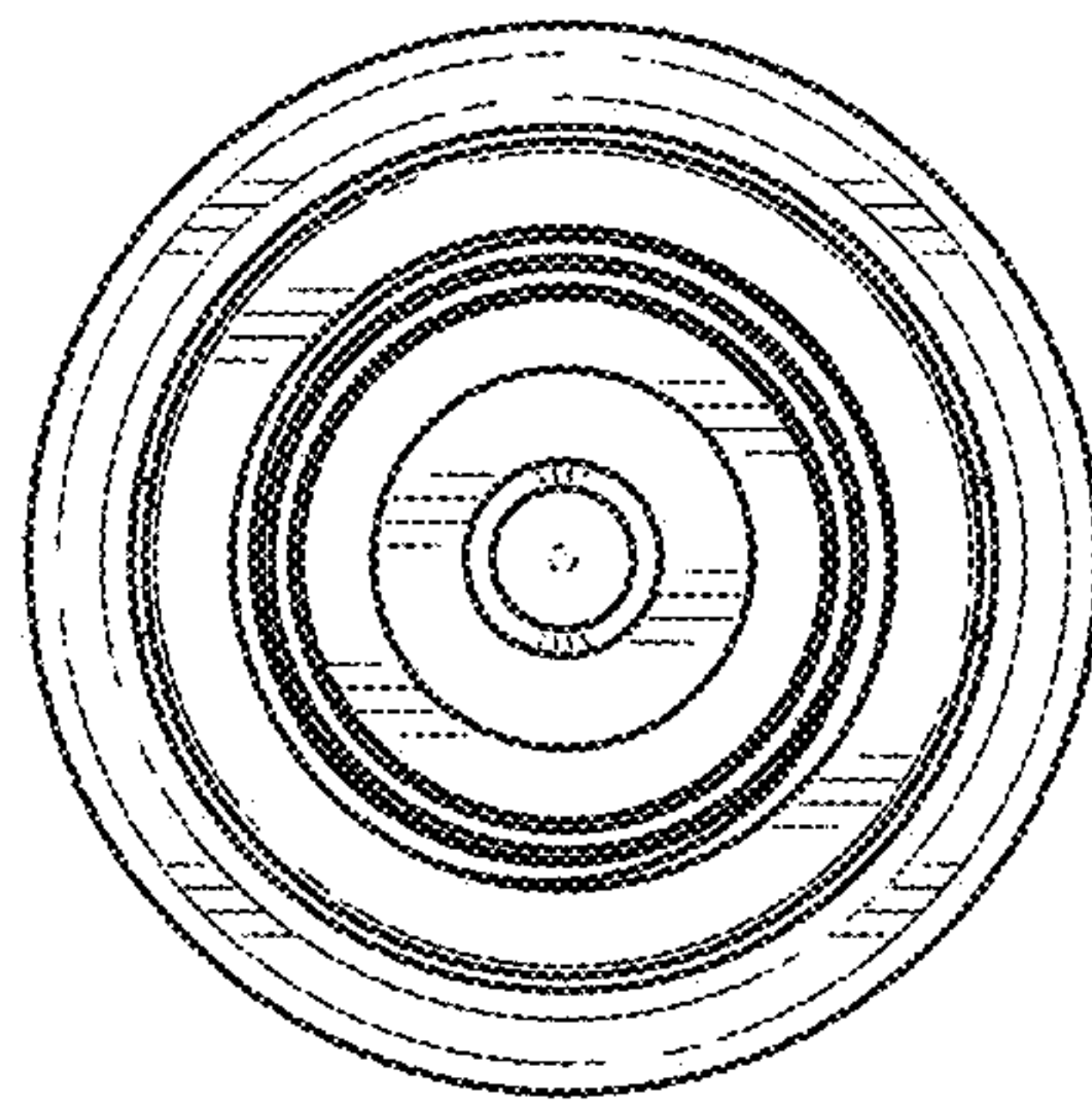


FIG. 8