



US00D874717S

(12) **United States Design Patent** (10) **Patent No.:** **US D874,717 S**
Nhep (45) **Date of Patent:** **** Feb. 4, 2020**

(54) **HANDHELD HOOKAH**
(71) Applicant: **David Nhep**, Highland, CA (US)
(72) Inventor: **David Nhep**, Highland, CA (US)
(**) Term: **15 Years**
(21) Appl. No.: **29/658,134**
(22) Filed: **Jul. 27, 2018**
(51) **LOC (12) Cl.** **27-02**
(52) **U.S. Cl.**
USPC **D27/162**
(58) **Field of Classification Search**
USPC D27/162, 100, 103, 163, 164, 167-170,
D27/194; D11/154, 157; D23/360;
131/273, 270, 329, 330, 191
CPC A24F 1/30; A24F 1/02; A24F 1/00; A24F
47/008; A24F 47/002
See application file for complete search history.

D846,187 S * 4/2019 Hoch D27/162
D854,740 S * 7/2019 Opp D27/162
2007/0034219 A1* 2/2007 Affinito A24F 1/30
131/329
2012/0012723 A1* 1/2012 Mansfield A24F 1/30
248/230.8
2013/0104738 A1* 5/2013 Goldstein B01D 53/14
95/214
2014/0326256 A1* 11/2014 McKay A24F 1/30
131/173
2017/0055579 A1* 3/2017 Kuna A24F 47/008
2017/0056607 A1* 3/2017 Jones A61M 11/003
2018/0220701 A1* 8/2018 Risolia A24F 1/02

* cited by examiner

Primary Examiner — Marissa J Cash
Assistant Examiner — Rebecca Tsehaye
(74) *Attorney, Agent, or Firm* — Robert Lauson, Esq.;
Lauson & Associates

(57) **CLAIM**

I claim the ornamental design for a handheld hookah, as shown and described.

(56) **References Cited**

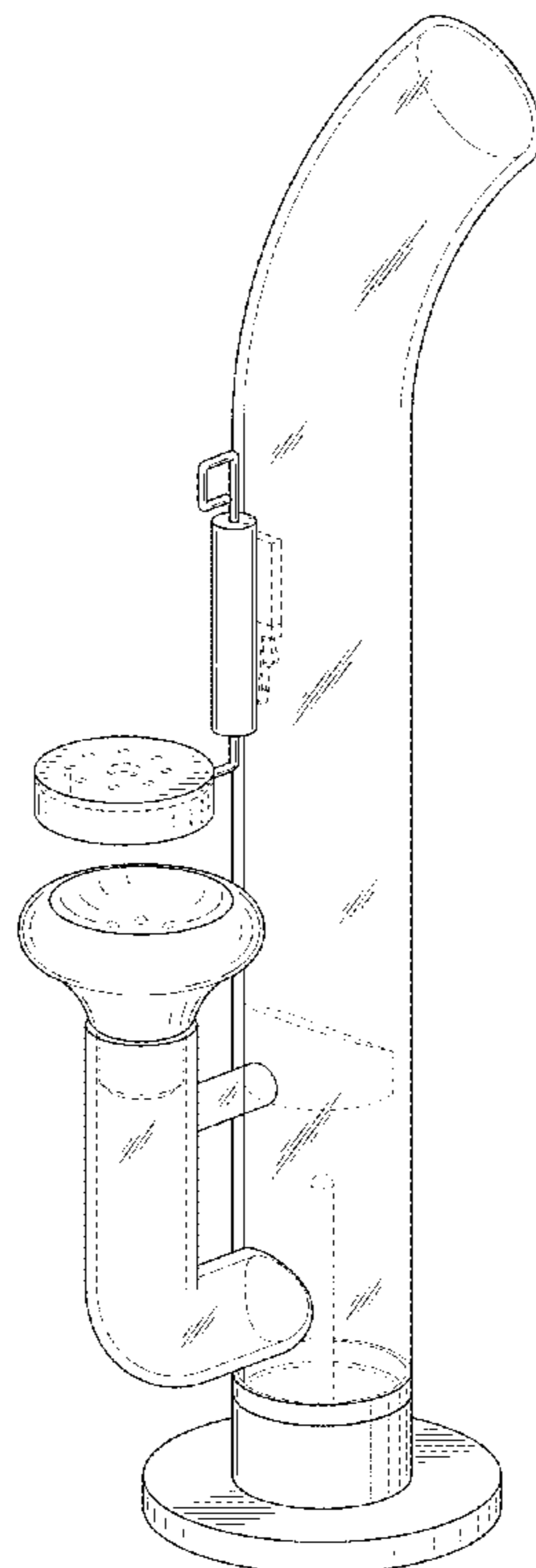
U.S. PATENT DOCUMENTS

4,216,785 A * 8/1980 Erickson A24F 1/30
131/173
D387,476 S * 12/1997 Chambers D27/162
RE36,523 E * 1/2000 Newman A24F 1/30
D27/162
D558,919 S * 1/2008 Kassir D27/162
D662,654 S * 6/2012 Trudnowski D27/167
D806,084 S * 12/2017 Nelson D14/447
D825,843 S * 8/2018 Hoch D27/163
D832,502 S * 10/2018 Durand D27/162
D844,227 S * 3/2019 Hoch D27/162

DESCRIPTION

FIG. 1 is a perspective view of the handheld hookah.
FIG. 2 is a front view thereof.
FIG. 3 is a rear view thereof.
FIG. 4 is a left side elevation view, the right side elevation view being a mirror image; and,
FIG. 5 is a top plan view thereof.
The broken lines in the drawings depict portions of the handheld hookah that form no part of the claimed design.

1 Claim, 3 Drawing Sheets



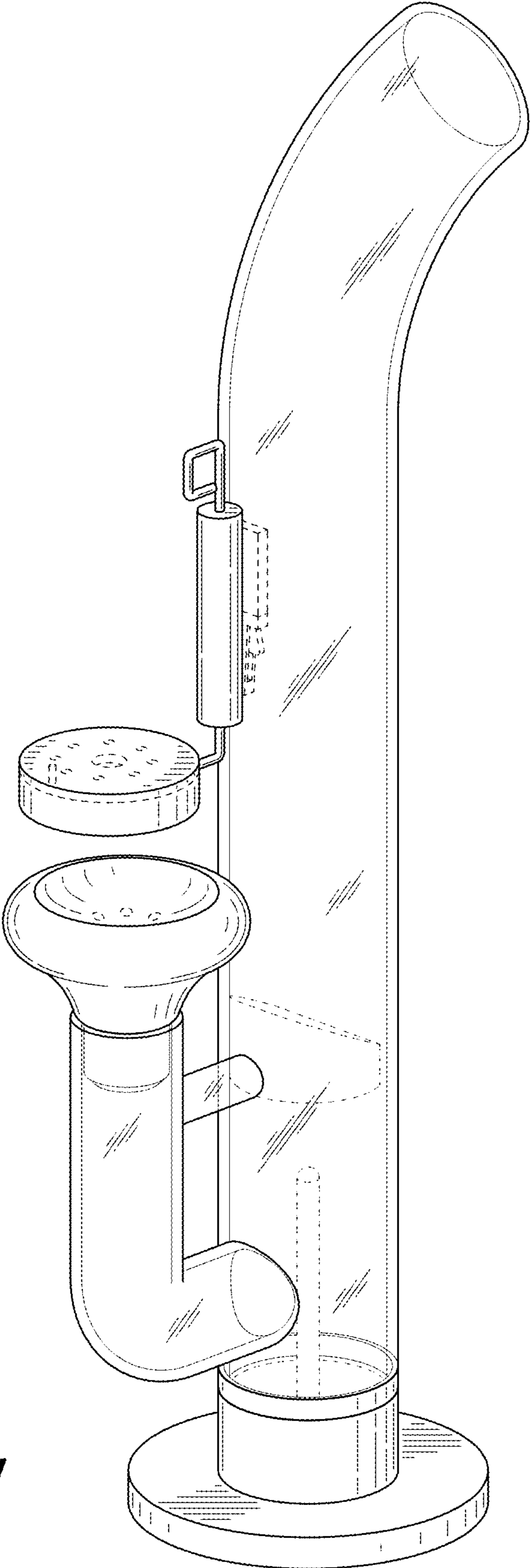


FIG. 1

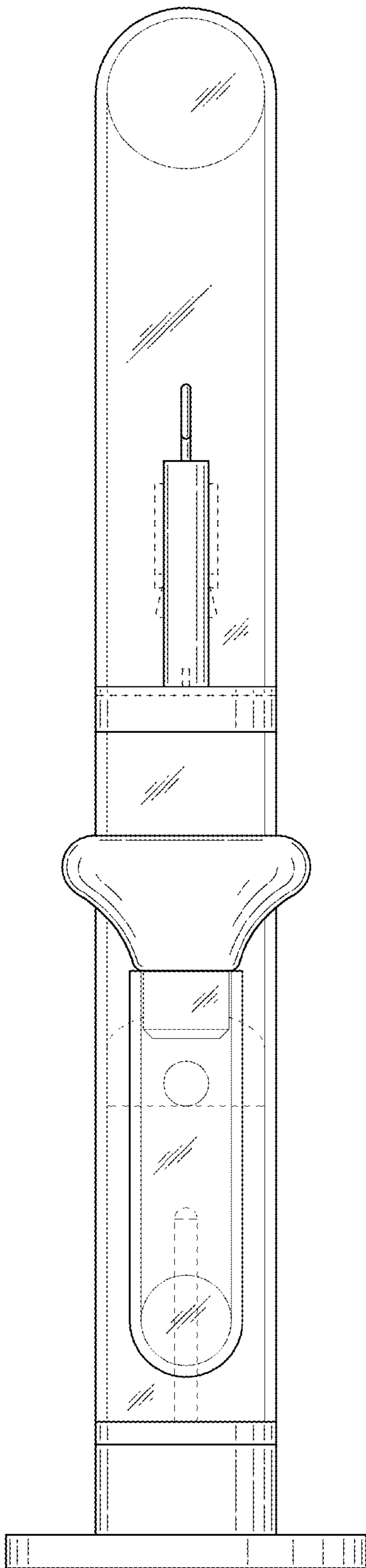


FIG. 2

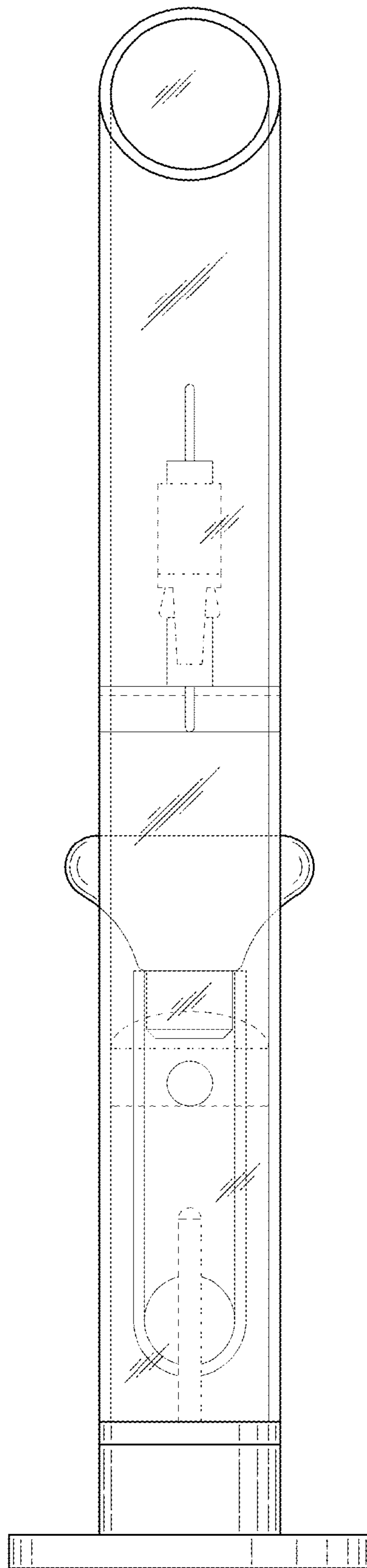


FIG. 3

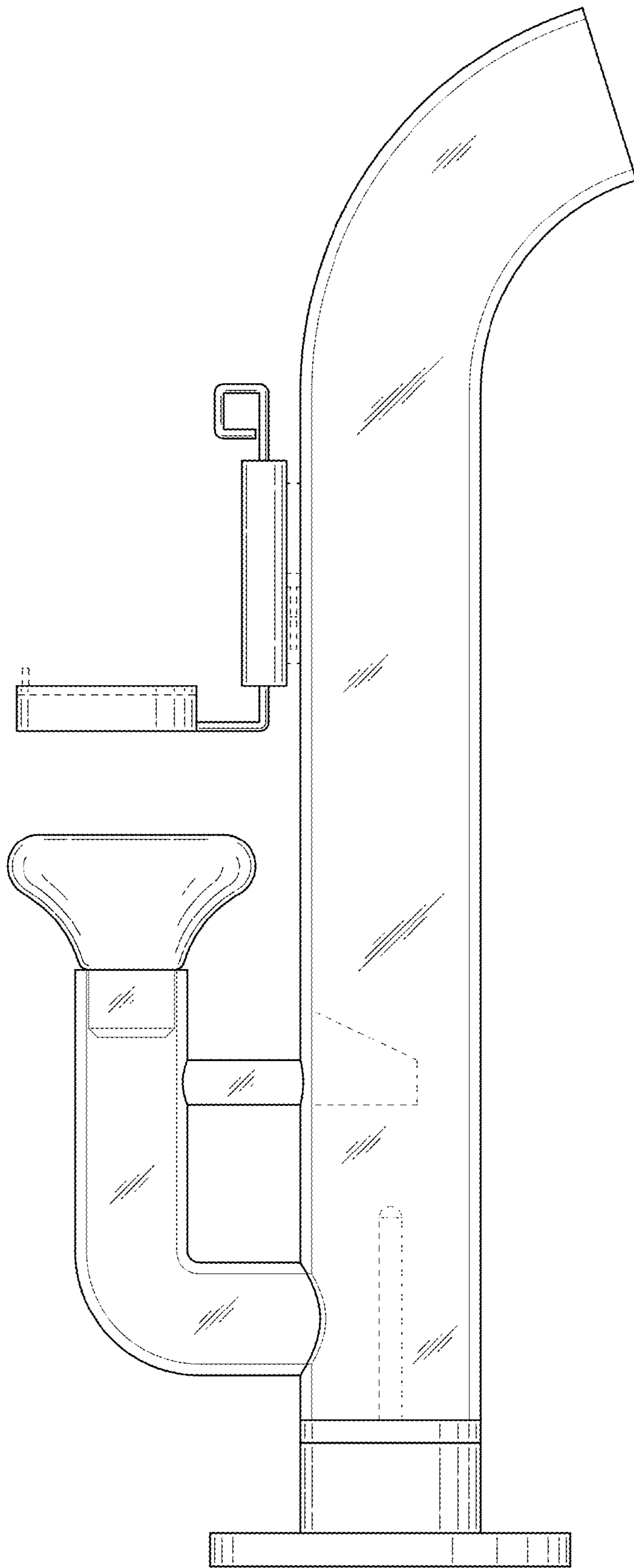


FIG. 4

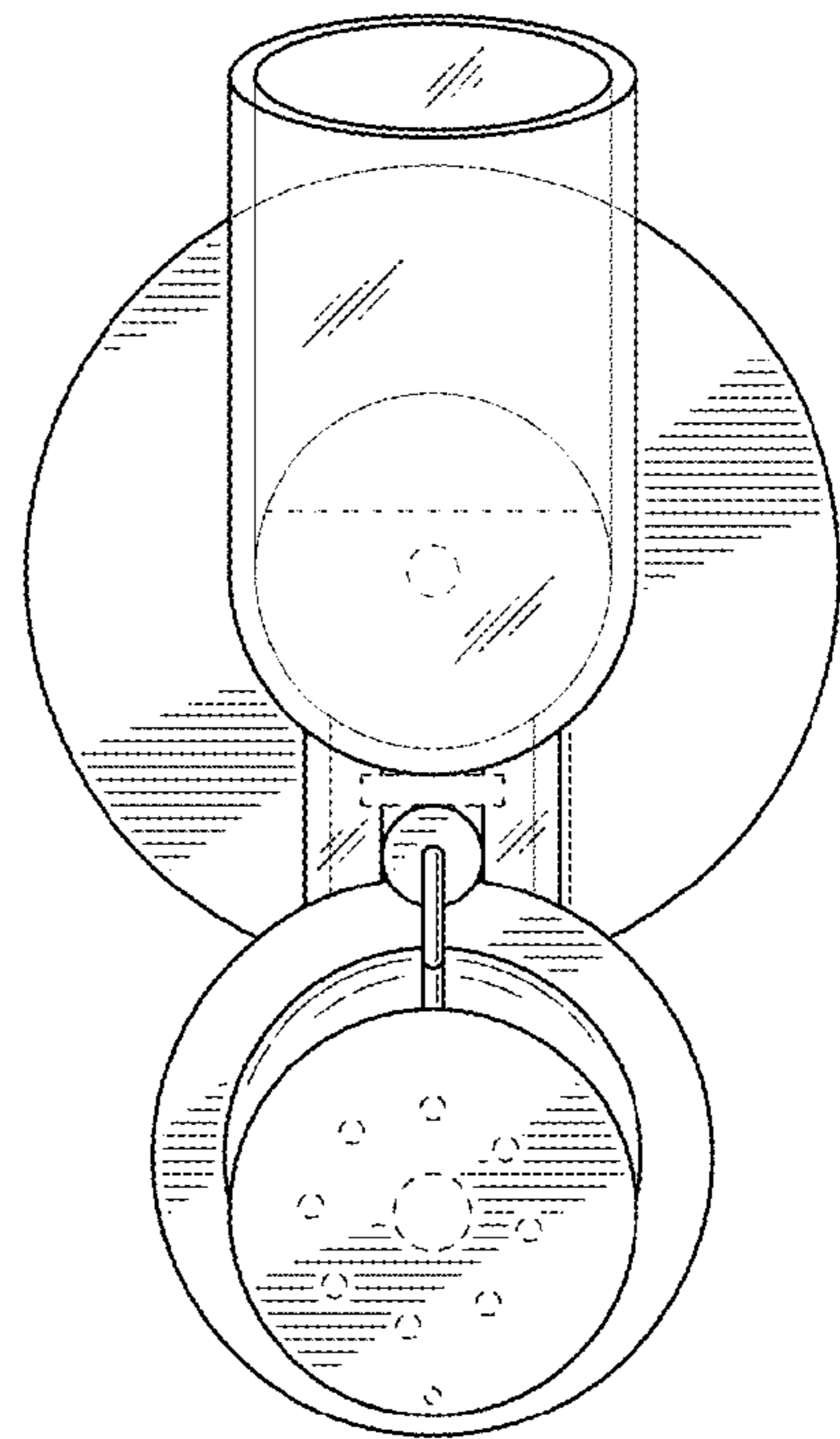


FIG. 5