



US00D874716S

(12) **United States Design Patent** (10) **Patent No.:** **US D874,716 S**  
**Huang et al.** (45) **Date of Patent:** **\*\* Feb. 4, 2020**

(54) **PORTABLE RECEPTACLE FOR STORING USED SMOKING CONSUMABLES**  
(71) Applicant: **PHILIP MORRIS PRODUCTS S.A.,** Neuchâtel (CH)  
(72) Inventors: **Chian-Chi Huang,** Taipei (CN); **Tzu-Wei Liu,** Taipei (CN)  
(73) Assignee: **PHILIP MORRIS PRODUCTS S.A.,** Neuchatel (CH)

D441,495 S \* 5/2001 Lin ..... D27/154  
D537,967 S \* 3/2007 Lo ..... D26/40  
D551,386 S \* 9/2007 Dayan ..... D27/118  
D785,861 S 5/2017 Stoll  
D803,477 S \* 11/2017 Meyer ..... D27/187  
D808,152 S \* 1/2018 Giannopoulos ..... D3/203.1  
D809,347 S \* 2/2018 Silsby ..... D7/608  
D829,312 S \* 9/2018 Riering-Czekalla ..... D23/364  
D836,833 S \* 12/2018 Simon ..... D27/189  
D840,009 S \* 2/2019 Suarez ..... D23/328

(\*\*) Term: **15 Years**

(21) Appl. No.: **35/505,170**

(22) Filed: **Dec. 4, 2017**

(80) **Hague Agreement Data**

Int. Filing Date: **Dec. 4, 2017**  
Int. Reg. No.: **DM/101495**  
Int. Reg. Date: **Dec. 4, 2017**  
Int. Reg. Pub. Date: **Jun. 22, 2018**

(30) **Foreign Application Priority Data**

Jun. 12, 2017 (EM) ..... 004043222-0001

(51) **LOC (12) Cl.** ..... **27-01**

(52) **U.S. Cl.**  
USPC ..... **D27/102**

(58) **Field of Classification Search**  
USPC ..... D27/102, 141-163, 172-194  
CPC ..... A24F 47/00; A24F 47/008; H05B 3/03;  
A61M 16/108; A61M 16/10  
See application file for complete search history.

(56) **References Cited**

**U.S. PATENT DOCUMENTS**

D373,217 S \* 8/1996 Adams ..... D27/102  
D414,889 S \* 10/1999 Luedecke ..... D27/135

**OTHER PUBLICATIONS**

Taiwanese Search Report issued in Taiwanese Application No. 106307278; dated Jun. 22, 2018. English translation provided.

\* cited by examiner

*Primary Examiner* — Natasha Vujcic  
(74) *Attorney, Agent, or Firm* — Oblon, McClelland, Maier & Neustadt, L.L.P.

(57) **CLAIM**

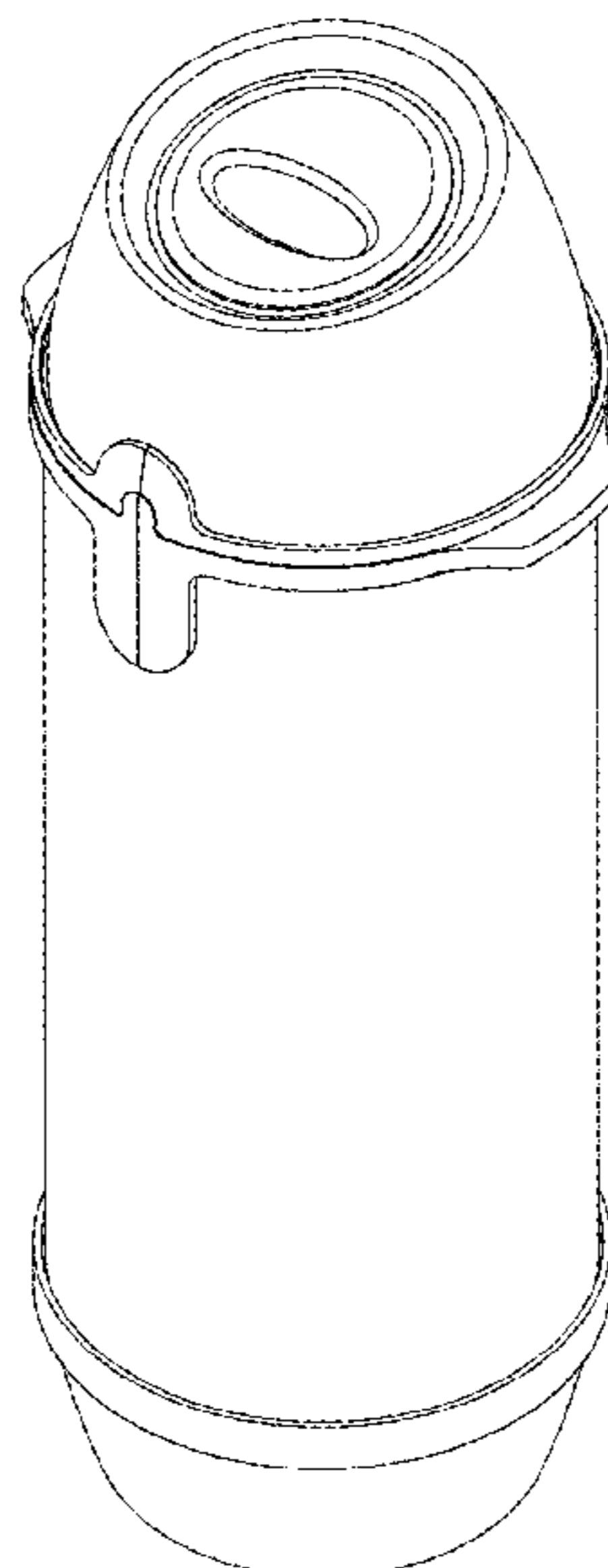
The ornamental design for a portable receptacle for storing used smoking consumables, as shown and described.

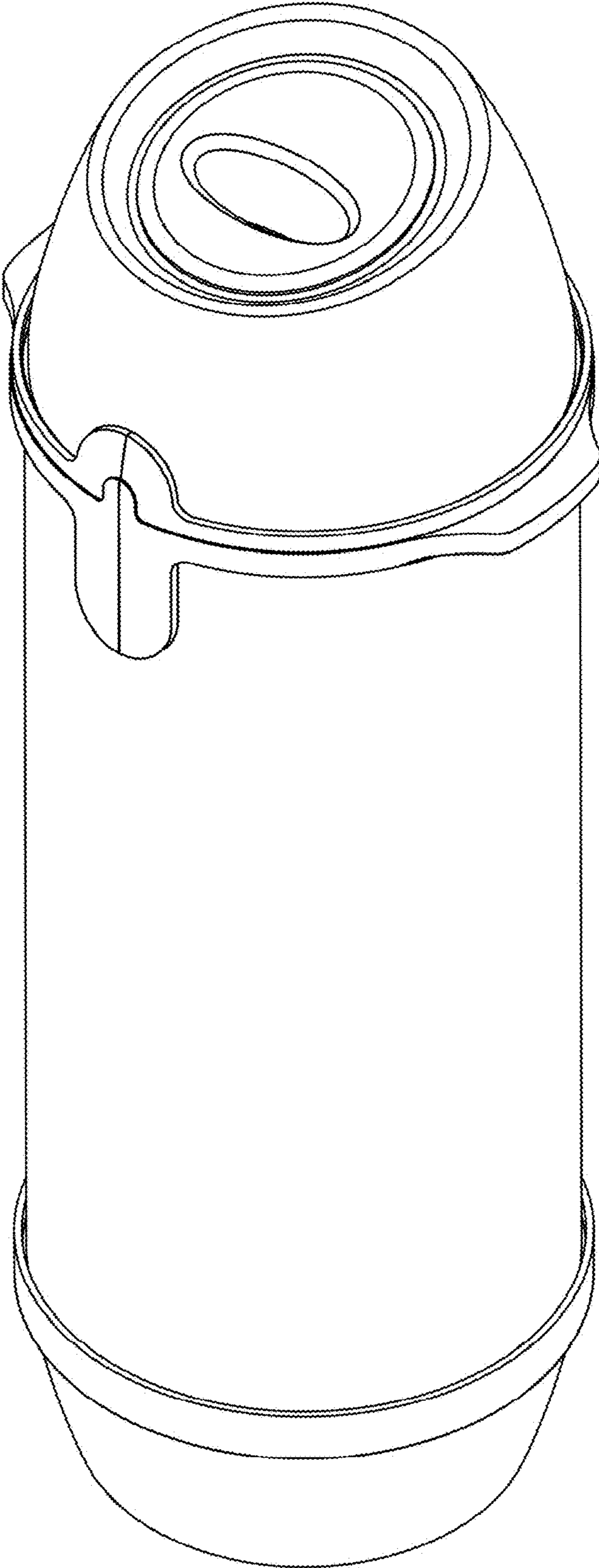
**DESCRIPTION**

1. Portable receptacle for storing used smoking consumables  
Portable receptacle for storing used smoking consumables, recycling bin, in particular portable recycling bin, for storing used smoking consumables, in particular for storing tobacco containing smoking consumables that essentially keep their initial shape during use, such as heat sticks; fig. 1.1 perspective view, fig. 1.2 front view, fig. 1.3 rear view, fig. 1.4 left side view, fig. 1.5 right side view, fig. 1.6 top view, fig. 1.7 bottom view.

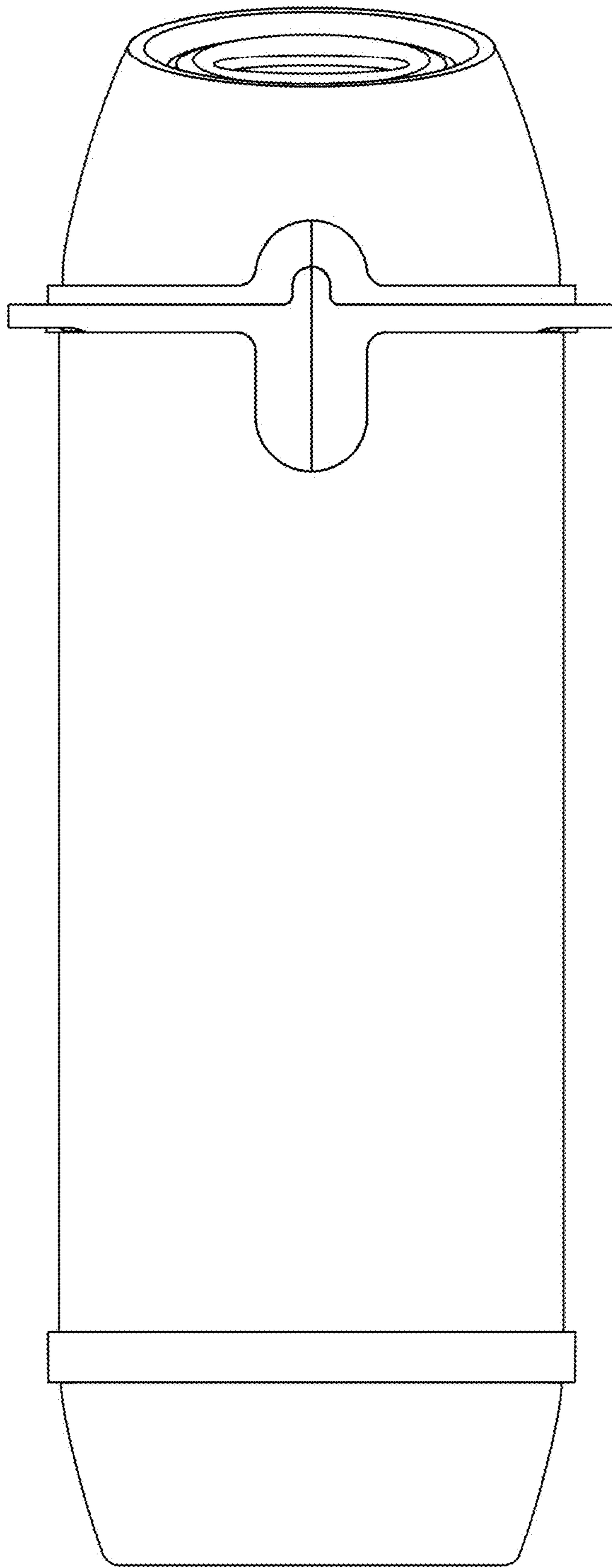
The broken lines in FIG. 1.7 show elements of the portable receptor for storing used smoking consumables that form no part of the claimed design.

**1 Claim, 7 Drawing Sheets**

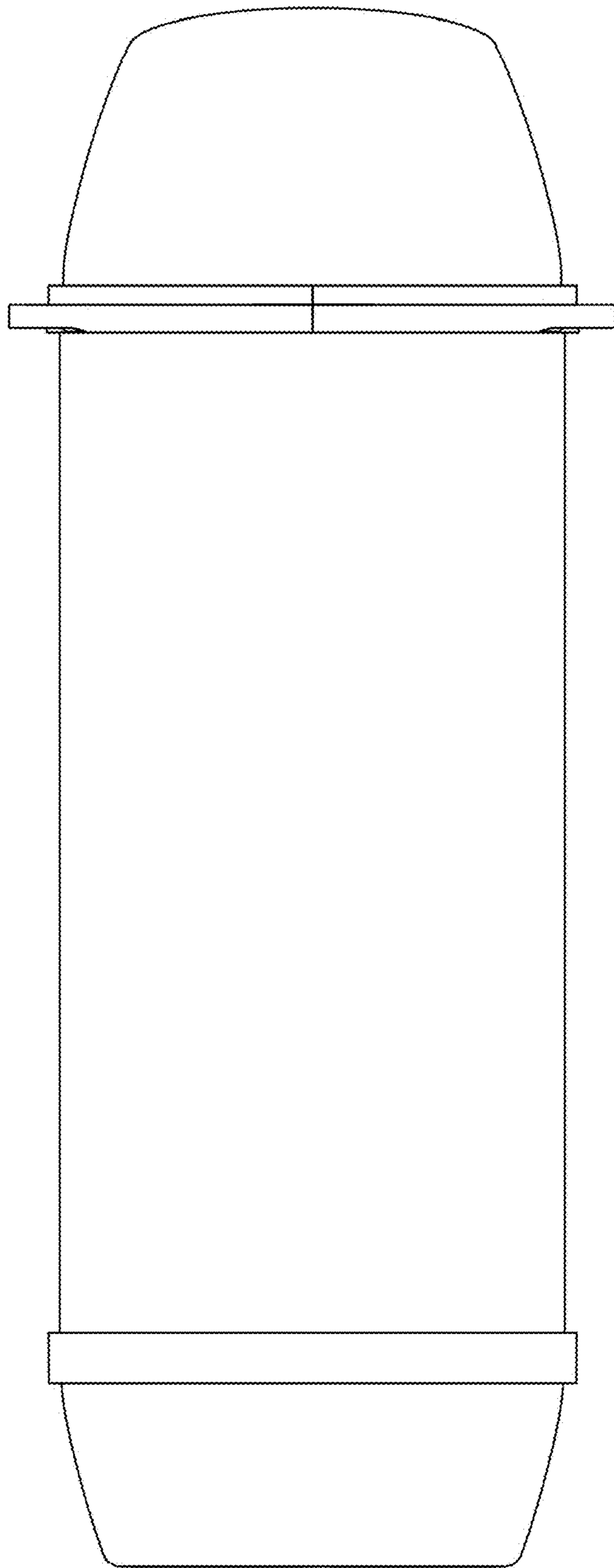




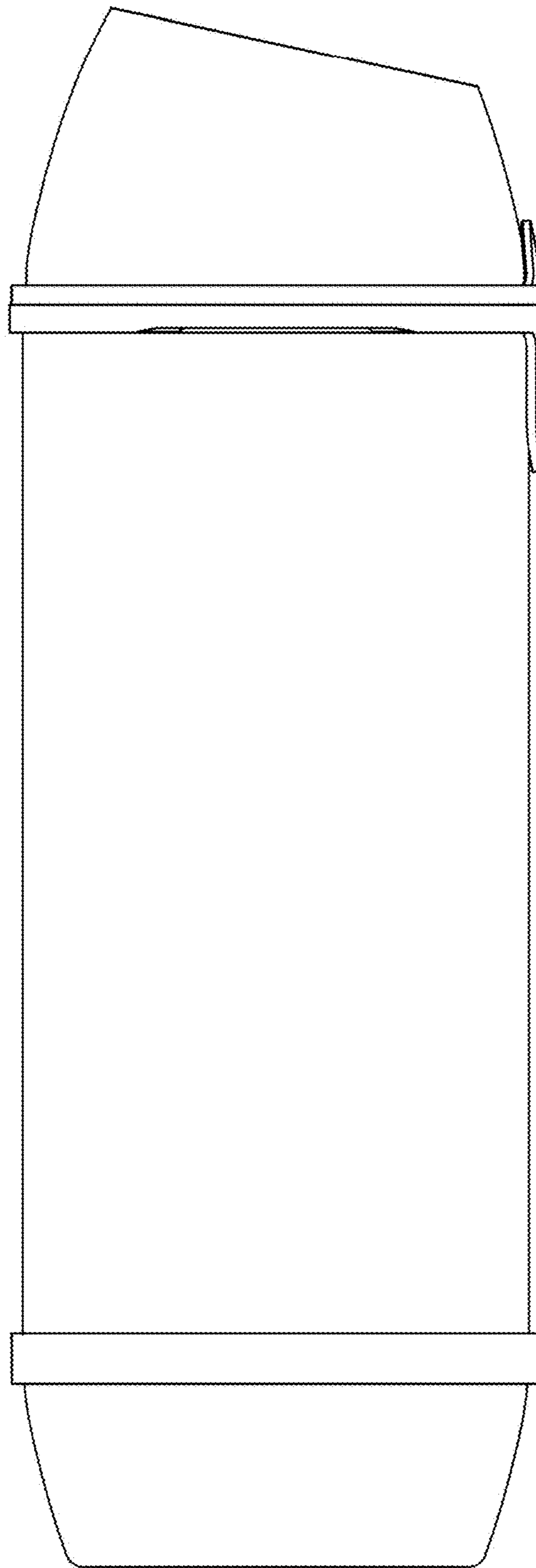
1.1



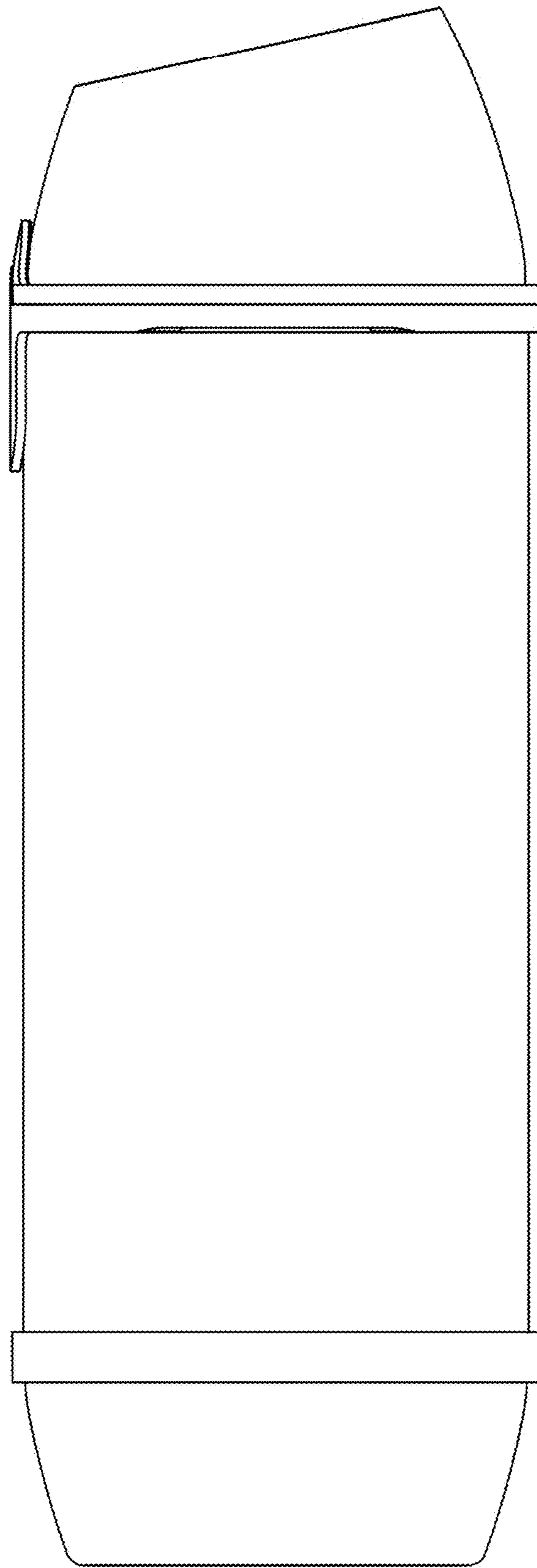
1.2



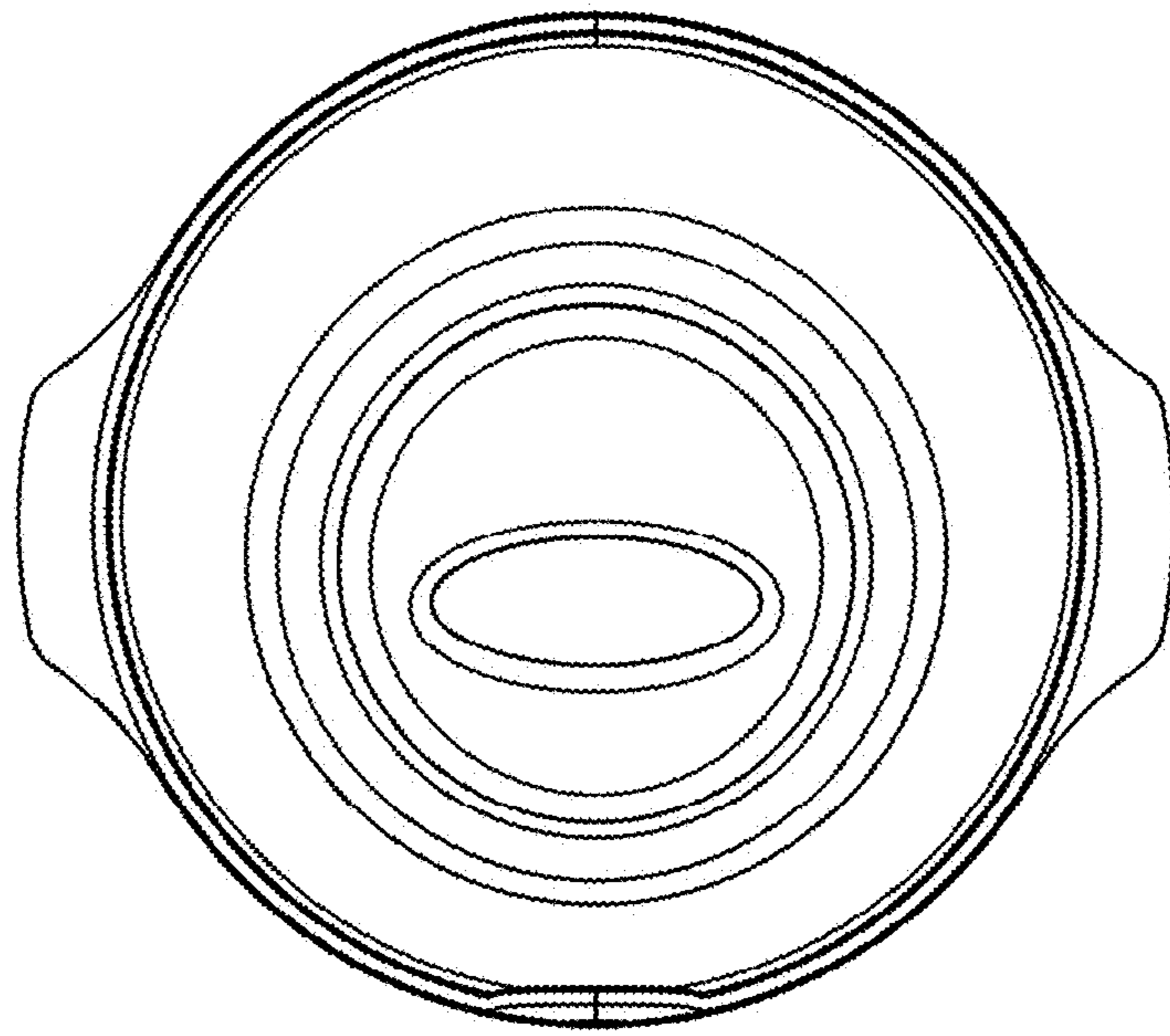
1.3



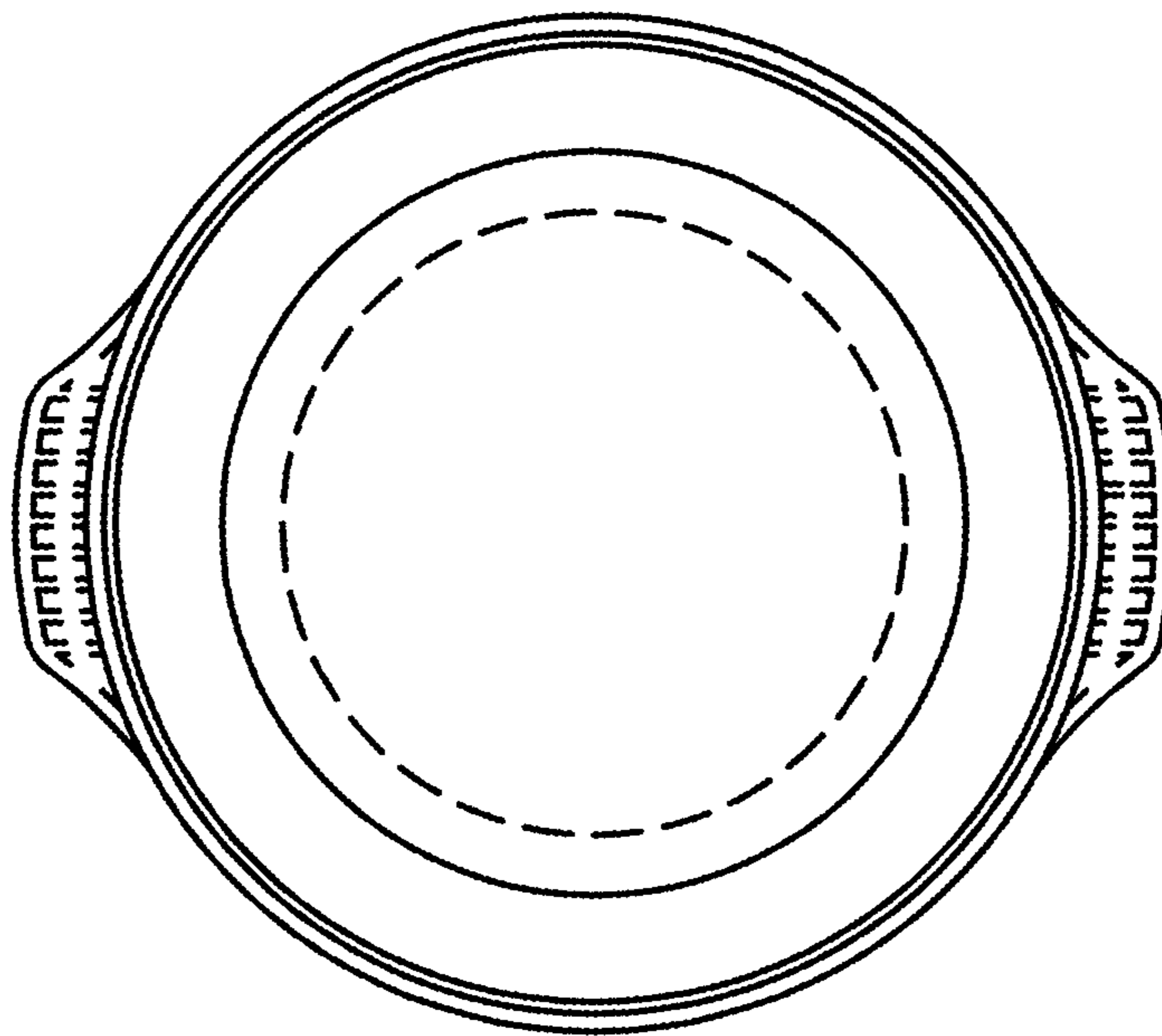
1.4



1.5



1.6



1.7