



US00D874714S

(12) **United States Design Patent**
Lafleur

(10) **Patent No.:** **US D874,714 S**

(45) **Date of Patent:** **** Feb. 4, 2020**

(54) **TRIPLE HEAD LED SOLAR MOTION LIGHT WITH CAMERA**

(71) Applicant: **LES PRODUITS SUNFORCE INC.**,
Montreal-Ouest (CA)

(72) Inventor: **Andre Lafleur**, Boucherville (CA)

(73) Assignee: **LES PRODUITS SUNFORCE INC.**,
Montreal (CA)

(**) Term: **15 Years**

(21) Appl. No.: **29/638,464**

(22) Filed: **Feb. 27, 2018**

(51) **LOC (12) Cl.** **26-99**

(52) **U.S. Cl.**
USPC **D26/120**

(58) **Field of Classification Search**

USPC D26/24, 51, 61, 63, 65, 72, 80, 118, 120,
D26/128; D16/203

CPC F21S 8/04; F21S 8/00; F21V 21/00; F21V
17/02; F21V 14/02; F21V 21/30; F21V
21/14; F21V 21/26; F21W 2131/10;
G03B 13/196; H04N 5/2251; H04N
5/2253; H04N 5/2254

See application file for complete search history.

(56) **References Cited**

U.S. PATENT DOCUMENTS

D386,801 S	*	11/1997	Orgovan	D20/10
D670,022 S	*	10/2012	Green	D26/128
D735,927 S	*	8/2015	Lee	D26/120
D753,347 S	*	4/2016	Lu	D30/109
D761,474 S	*	7/2016	Chen	D26/65
D764,700 S	*	8/2016	Chen	D26/118
D781,481 S	*	3/2017	Chen	D26/65
D799,104 S	*	10/2017	Chen	D26/120

(Continued)

Primary Examiner — Brian N. Vinson

(74) *Attorney, Agent, or Firm* — Benoit & Cote, Inc.

(57) **CLAIM**

I claim the ornamental design for a triple head LED solar motion light with camera, as shown and described.

DESCRIPTION

FIG. 1 is a perspective view of a first embodiment of my ornamental design of the triple head LED solar motion light with camera;

FIG. 2 is a right side elevation view of the triple head LED solar motion light with camera of FIG. 1;

FIG. 3 is a front elevation view of the triple head LED solar motion light with camera of FIG. 1;

FIG. 4 is a left side elevation view of the triple head LED solar motion light with camera of FIG. 1;

FIG. 5 is a rear elevation view of the triple head LED solar motion light with camera of FIG. 1;

FIG. 6 is a top plan view of the triple head LED solar motion light with camera of FIG. 1;

FIG. 7 is a bottom plan view of the triple head LED solar motion light with camera of FIG. 1;

FIG. 8 is a perspective view of a second embodiment of my ornamental design of the triple head LED solar motion light with camera;

FIG. 9 is a right side elevation view of the triple head LED solar motion light with camera of FIG. 8;

FIG. 10 is a front elevation view of the triple head LED solar motion light with camera of FIG. 8;

FIG. 11 is a left side elevation view of the triple head LED solar motion light with camera of FIG. 8;

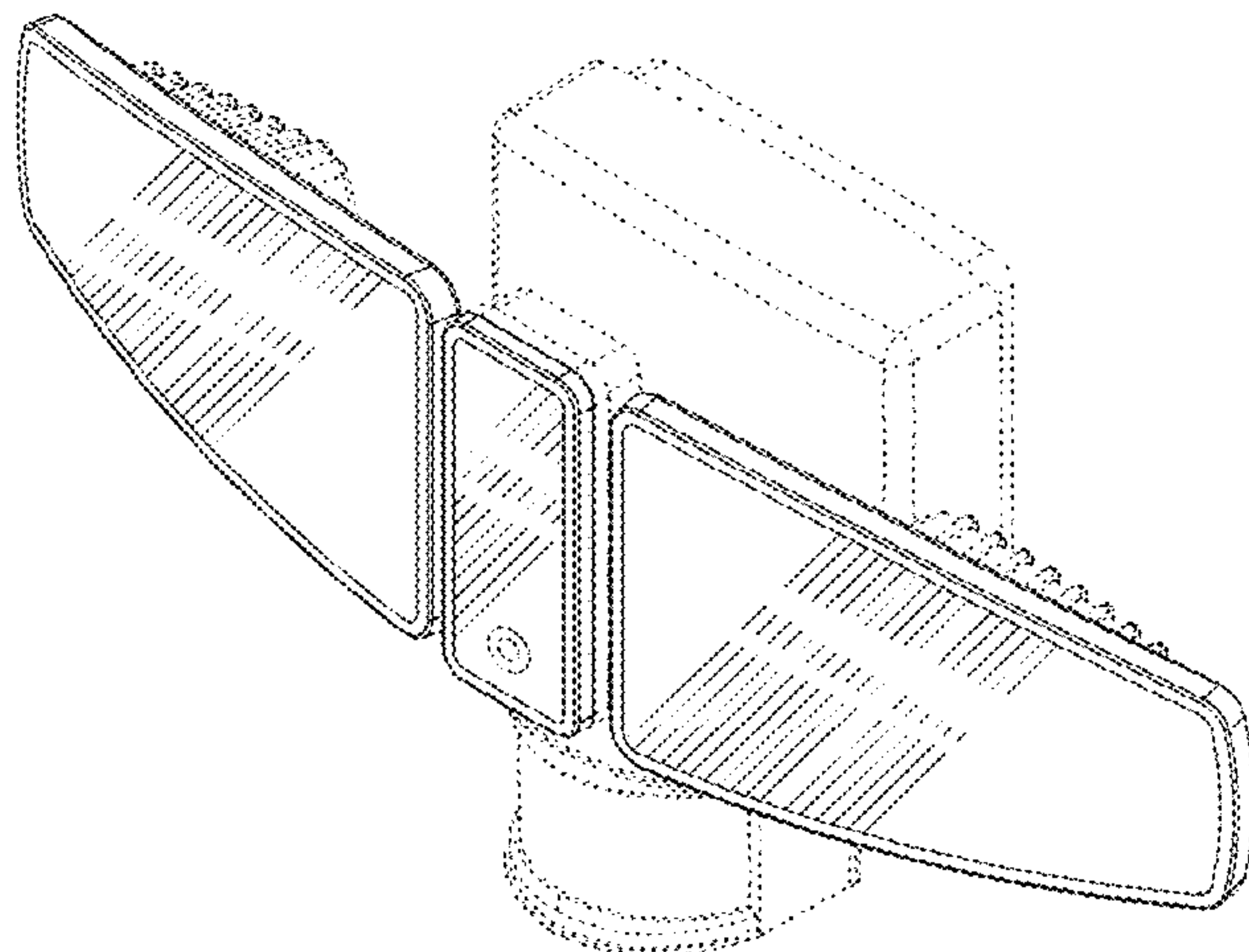
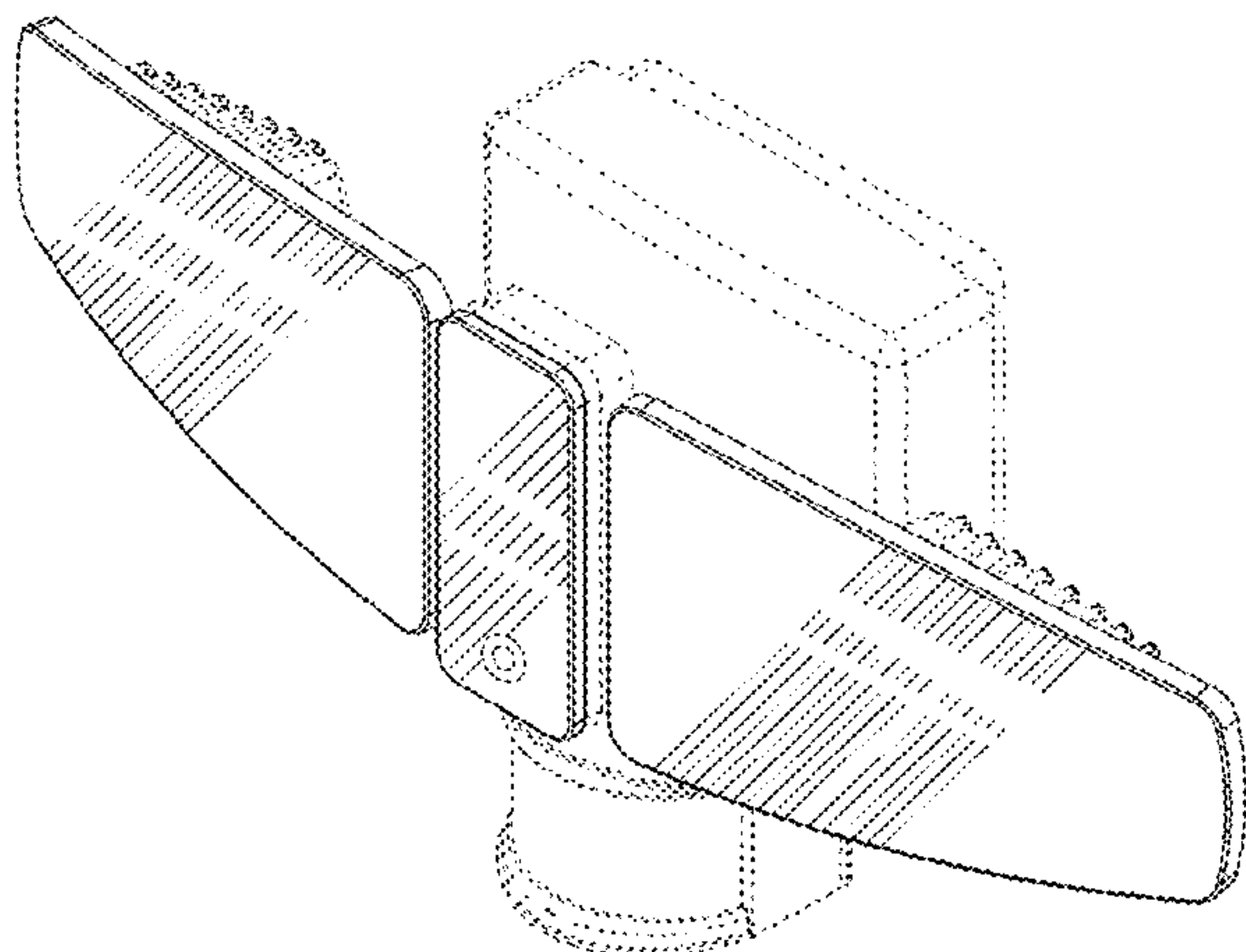
FIG. 12 is a rear elevation view of the triple head LED solar motion light with camera of FIG. 8;

FIG. 13 is a top plan view of the triple head LED solar motion light with camera of FIG. 8; and,

FIG. 14 is a bottom plan view of the triple head LED solar motion light with camera of FIG. 8.

The portions shown in broken lines are for illustrative purposes only and form no part of the design.

1 Claim, 8 Drawing Sheets



(56)

References Cited

U.S. PATENT DOCUMENTS

D804,075 S * 11/2017 Fang D26/65
D821,021 S * 6/2018 Chen D26/120
D835,335 S * 12/2018 Paredes D26/120

* cited by examiner

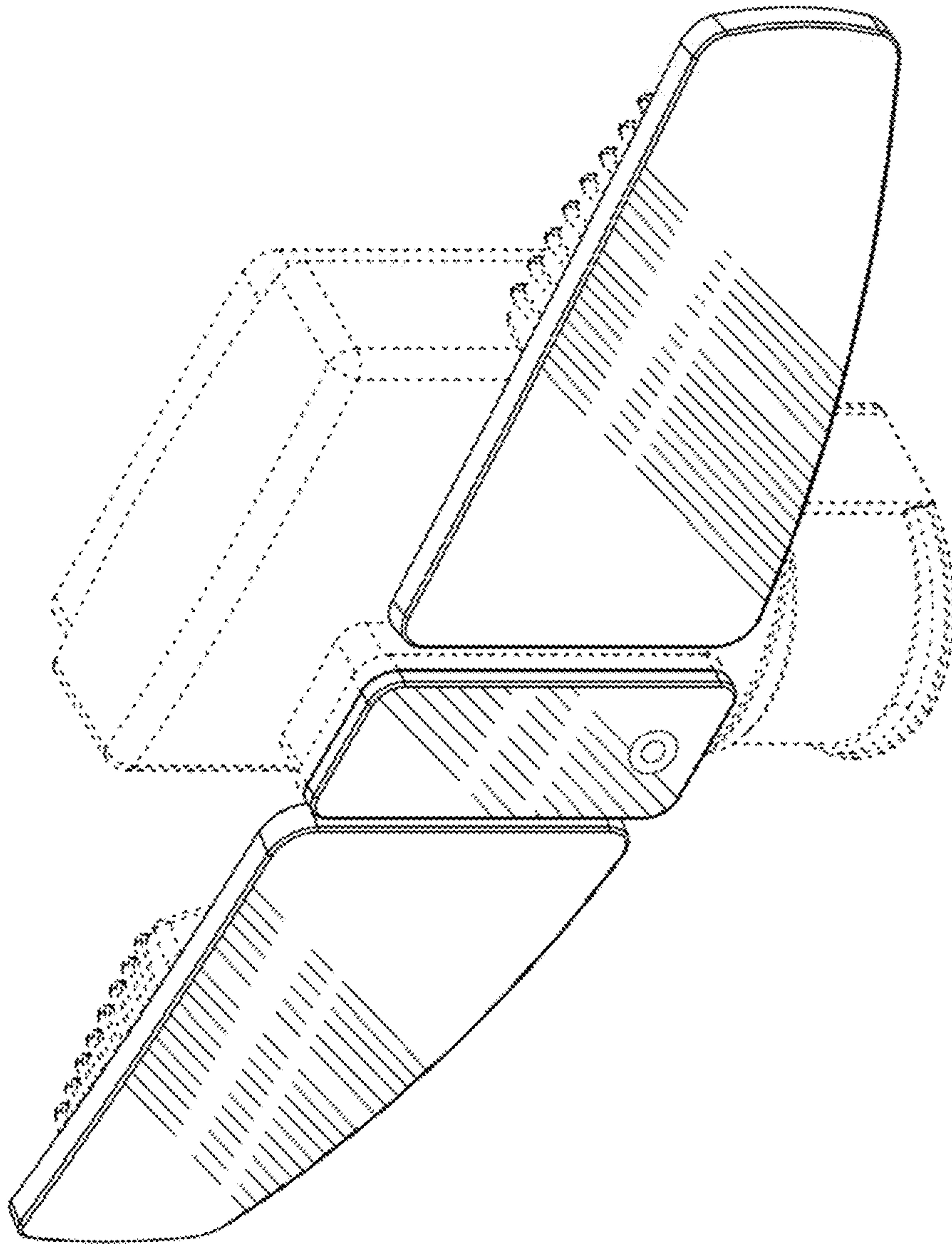


FIG. 1

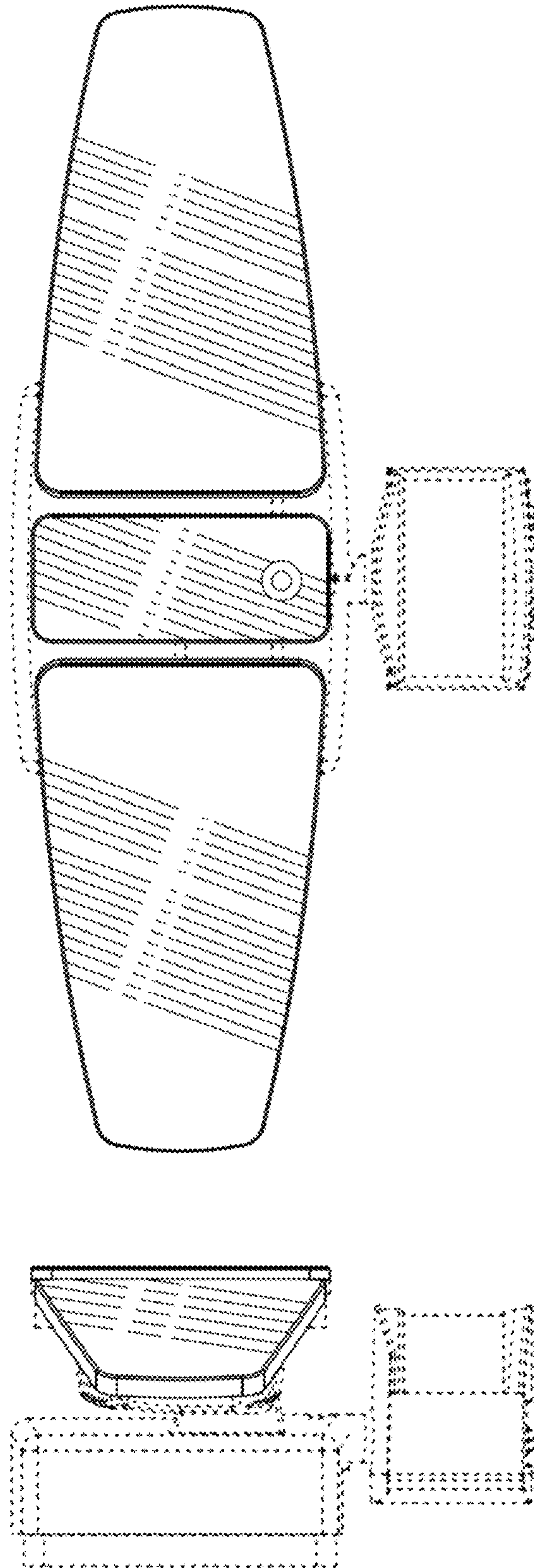


FIG. 2

FIG. 3

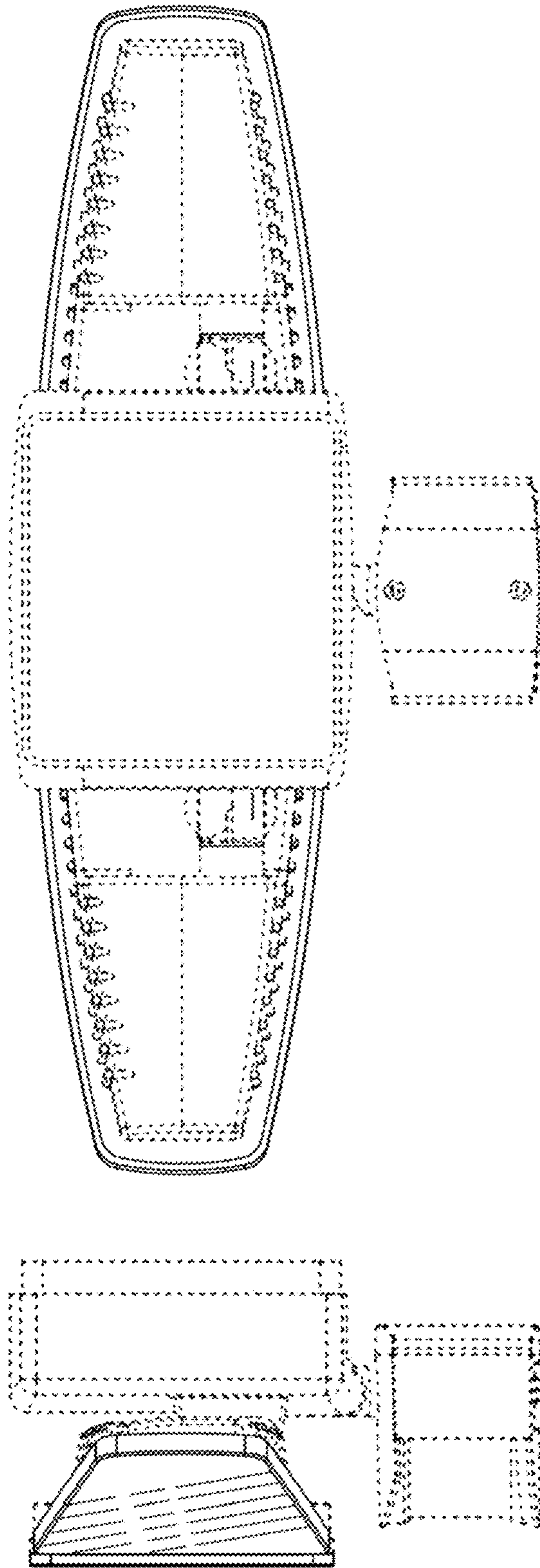


FIG. 5

FIG. 4

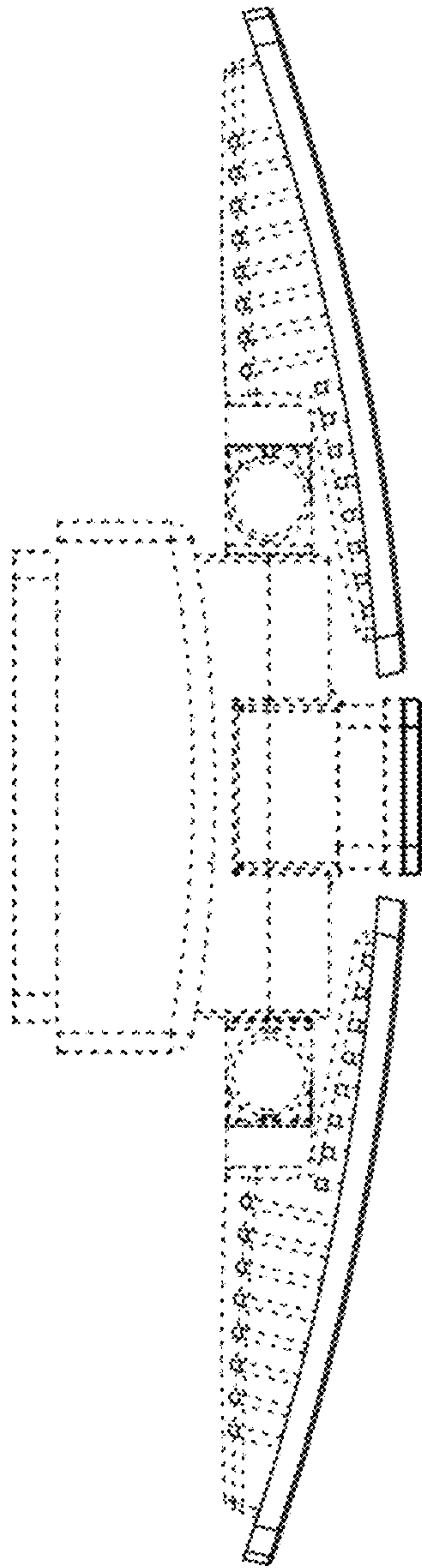


FIG. 6

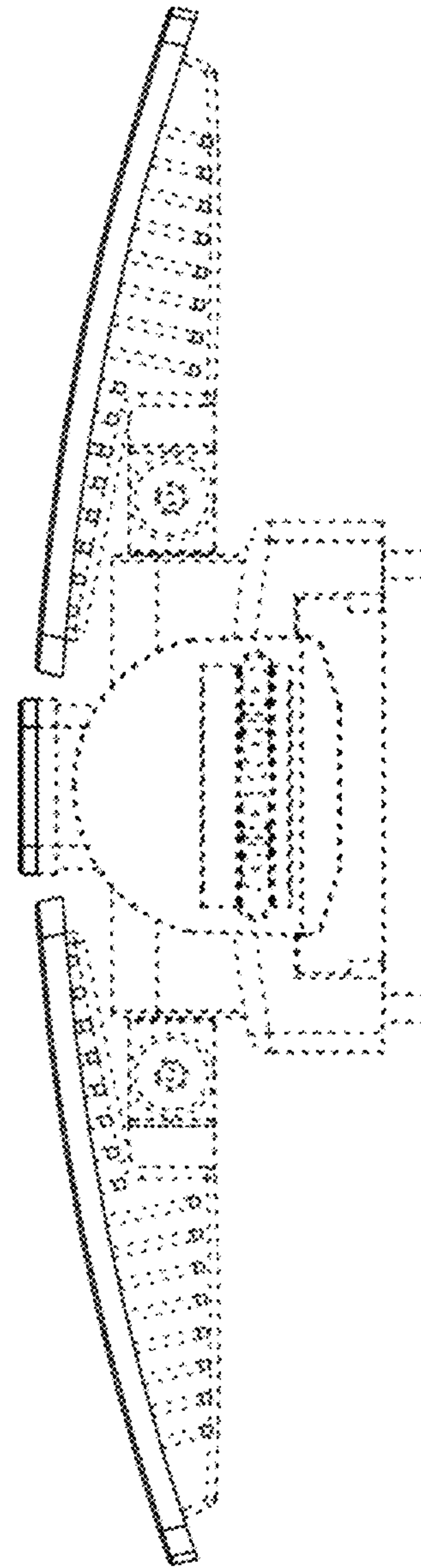


FIG. 7

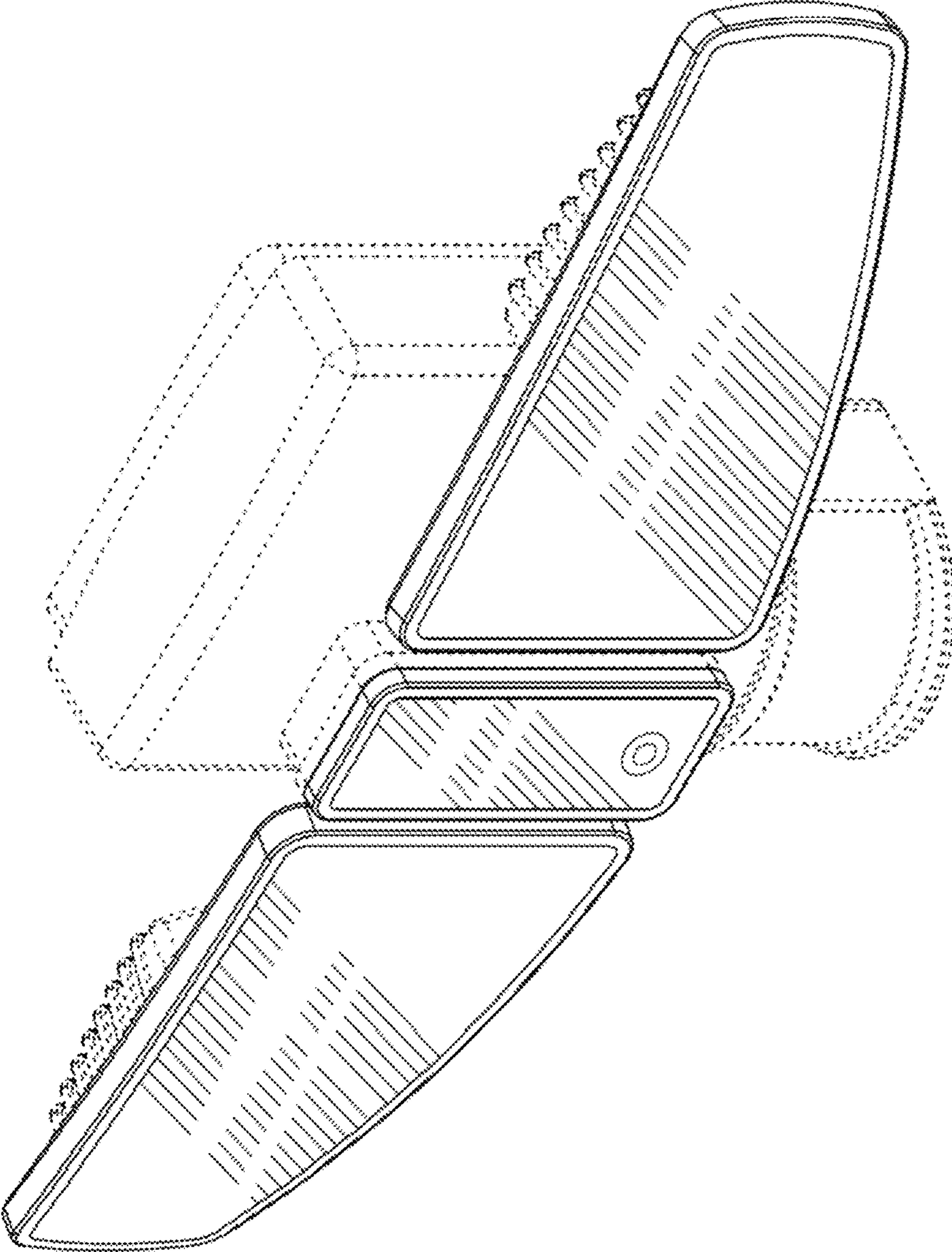


FIG. 8

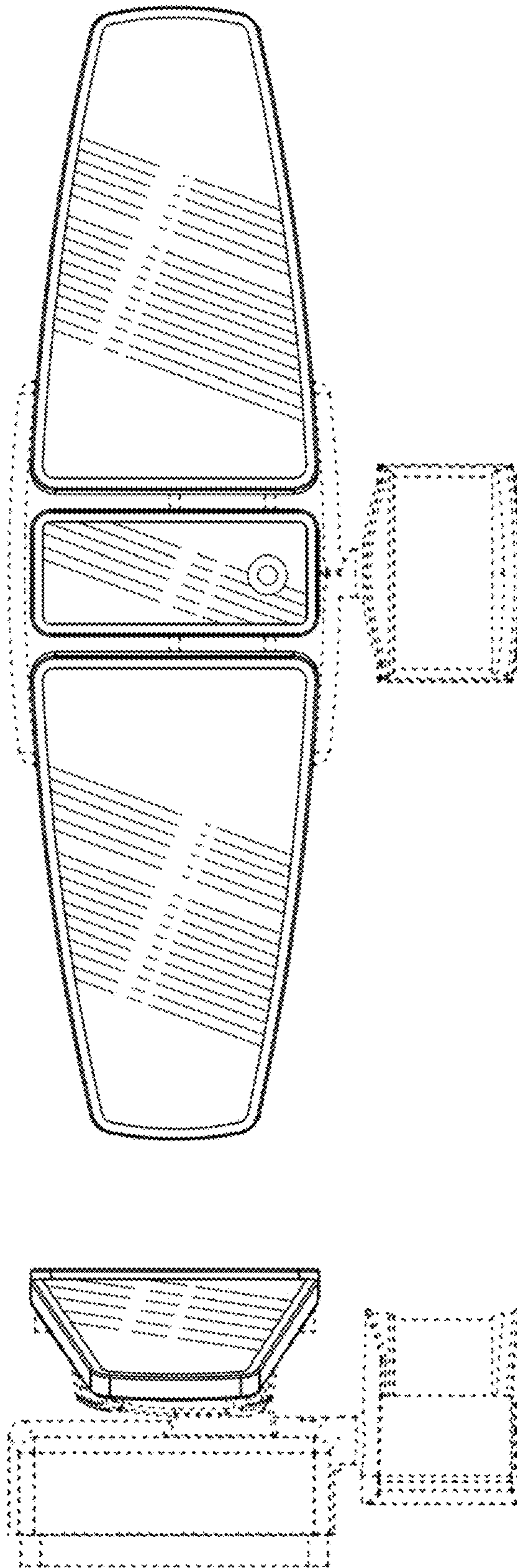


FIG. 9

FIG. 10

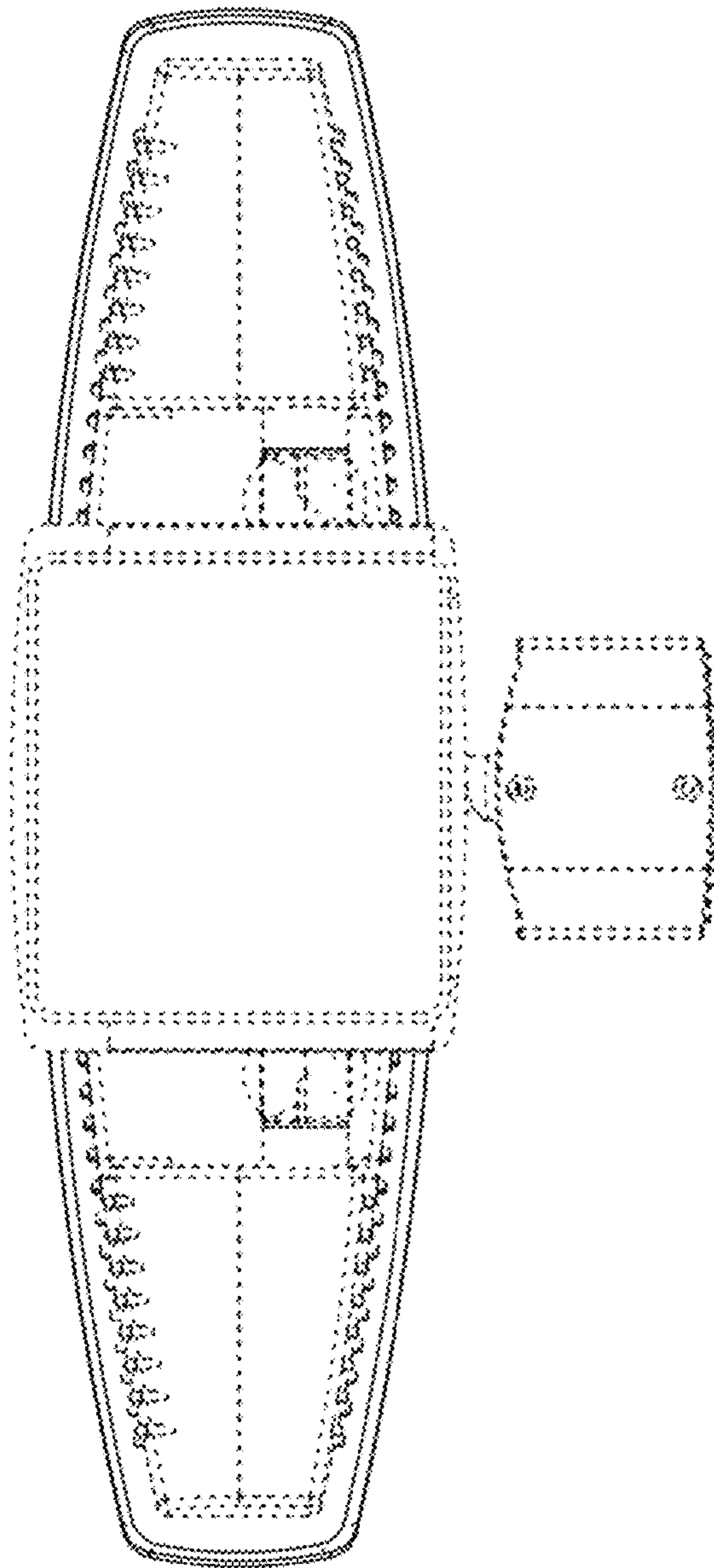


FIG. 11

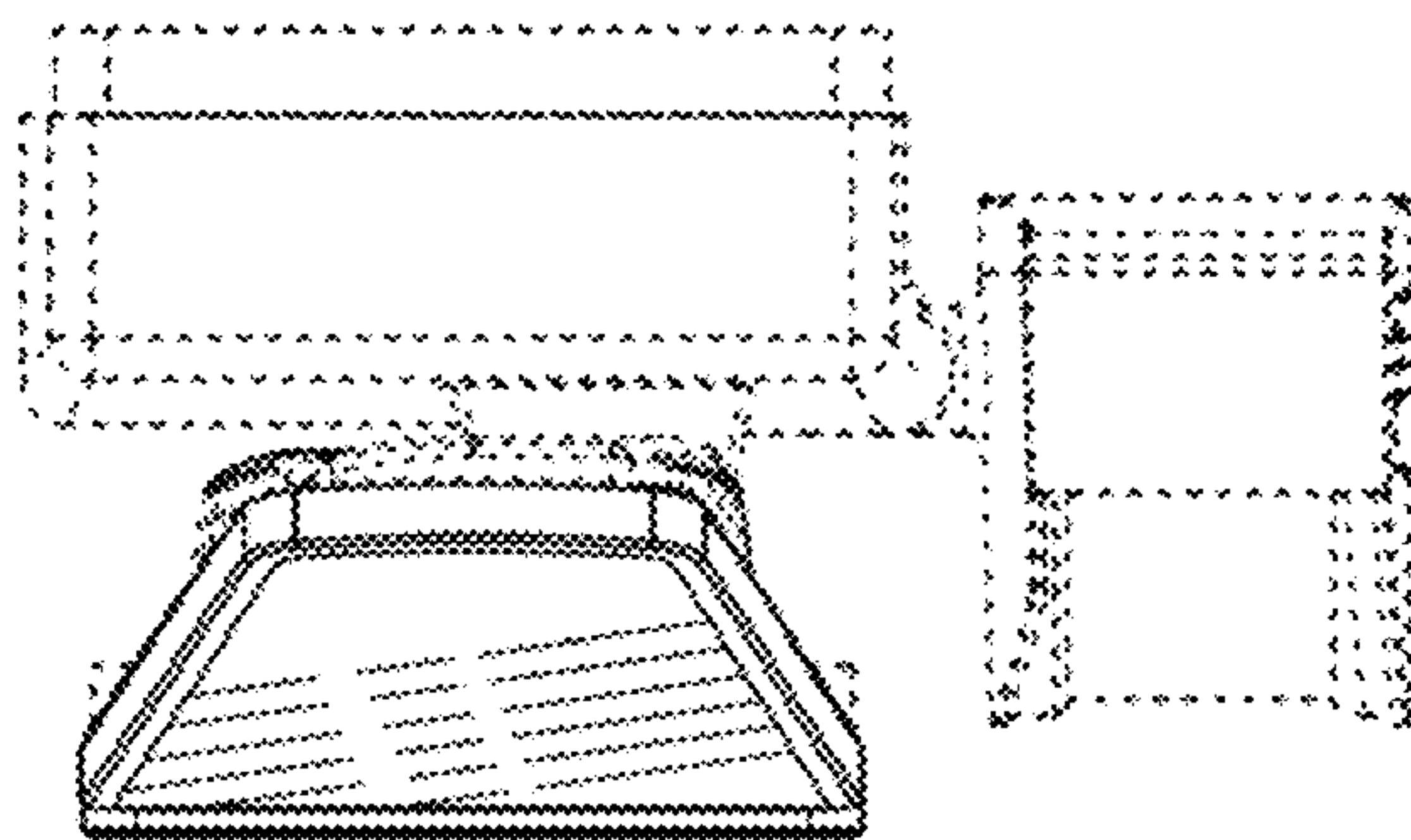


FIG. 12

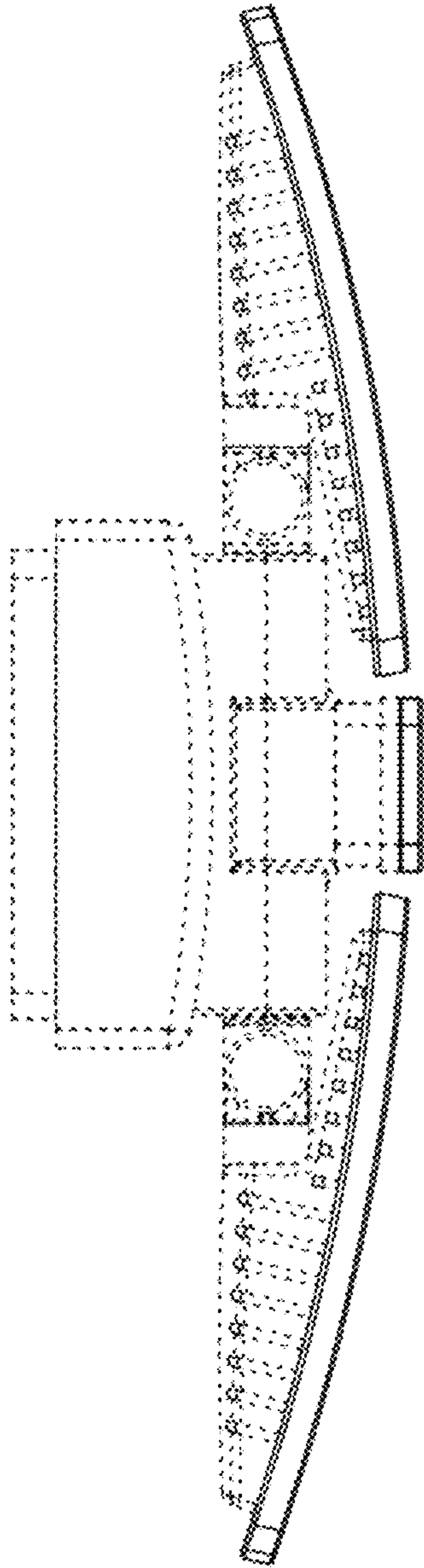


FIG. 13

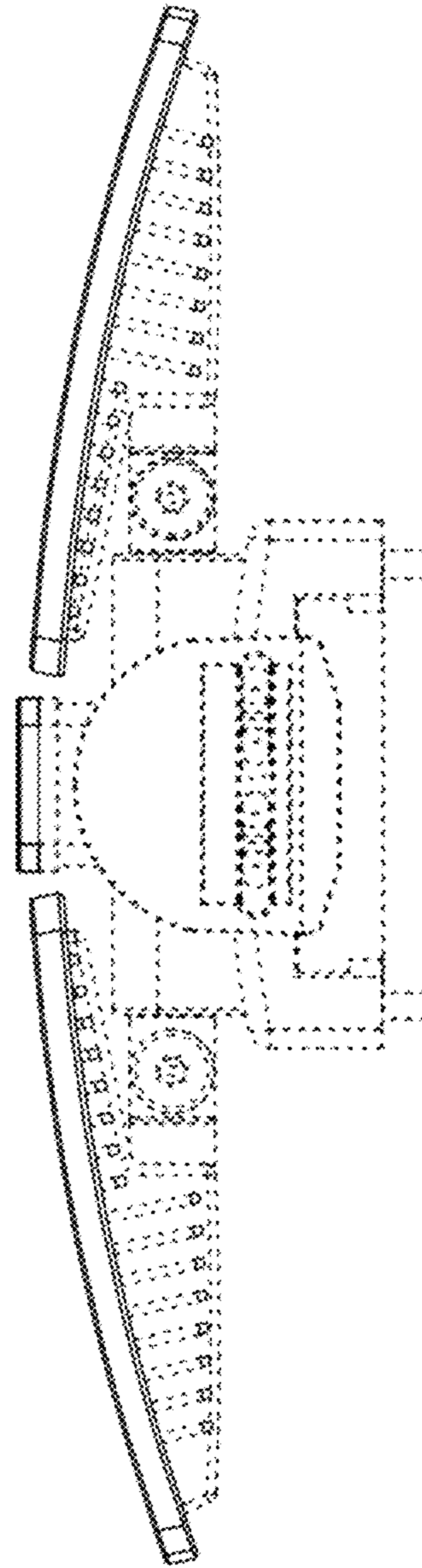


FIG. 14