



US00D874710S

(12) **United States Design Patent** (10) **Patent No.:** **US D874,710 S**
Tong (45) **Date of Patent:** **** Feb. 4, 2020**

(54) **LAMP**
(71) Applicant: **Shenzhen Highstar Electrical Co., Ltd.**, Shenzhen, Guangdong (CN)
(72) Inventor: **Guoming Tong**, Guangdong (CN)
(73) Assignee: **Shenzhen Highstar Electrical Co., Ltd.**, Shenzhen (CN)
(**) Term: **15 Years**

D641,916 S * 7/2011 Witsch D26/61
D651,734 S * 1/2012 Li D26/63
D665,115 S * 8/2012 Chien D26/63
D665,938 S * 8/2012 Kim D26/63
D673,321 S * 12/2012 Karkkainen D26/93
D729,964 S * 5/2015 Huh D26/63
D753,861 S * 4/2016 Yong Joon D26/63
D758,631 S * 6/2016 Cai D26/63
D759,282 S * 6/2016 Lee D26/65
D803,450 S * 11/2017 Xie D26/63
D804,071 S * 11/2017 Xu D26/63
D804,072 S * 11/2017 Xu D26/63
D809,187 S * 1/2018 Dai D26/107

(21) Appl. No.: **29/603,797**

* cited by examiner

(22) Filed: **May 12, 2017**

Primary Examiner — Sheryl Lane
Assistant Examiner — Calvin E Vansant

(30) **Foreign Application Priority Data**

Jan. 3, 2017 (CN) 2017 3 0001156

(51) **LOC (12) Cl.** **26-05**

(52) **U.S. Cl.**
USPC **D26/93**

(58) **Field of Classification Search**
USPC D23/328, 370, 372, 377, 381, 382, 385;
D26/51, 59, 63, 72, 74, 76, 77, 78, 88, 93
CPC F24F 13/078; F04D 25/088; E04B 9/02
See application file for complete search history.

(56) **References Cited**

U.S. PATENT DOCUMENTS

D297,973 S * 10/1988 Everett, Jr. D23/377
D389,933 S * 1/1998 Yeh D26/51
D401,312 S * 11/1998 Upchurch D23/328
D553,227 S * 10/2007 Chen D23/314
D618,844 S * 6/2010 Huang D26/93
D627,501 S * 11/2010 Lin D26/65

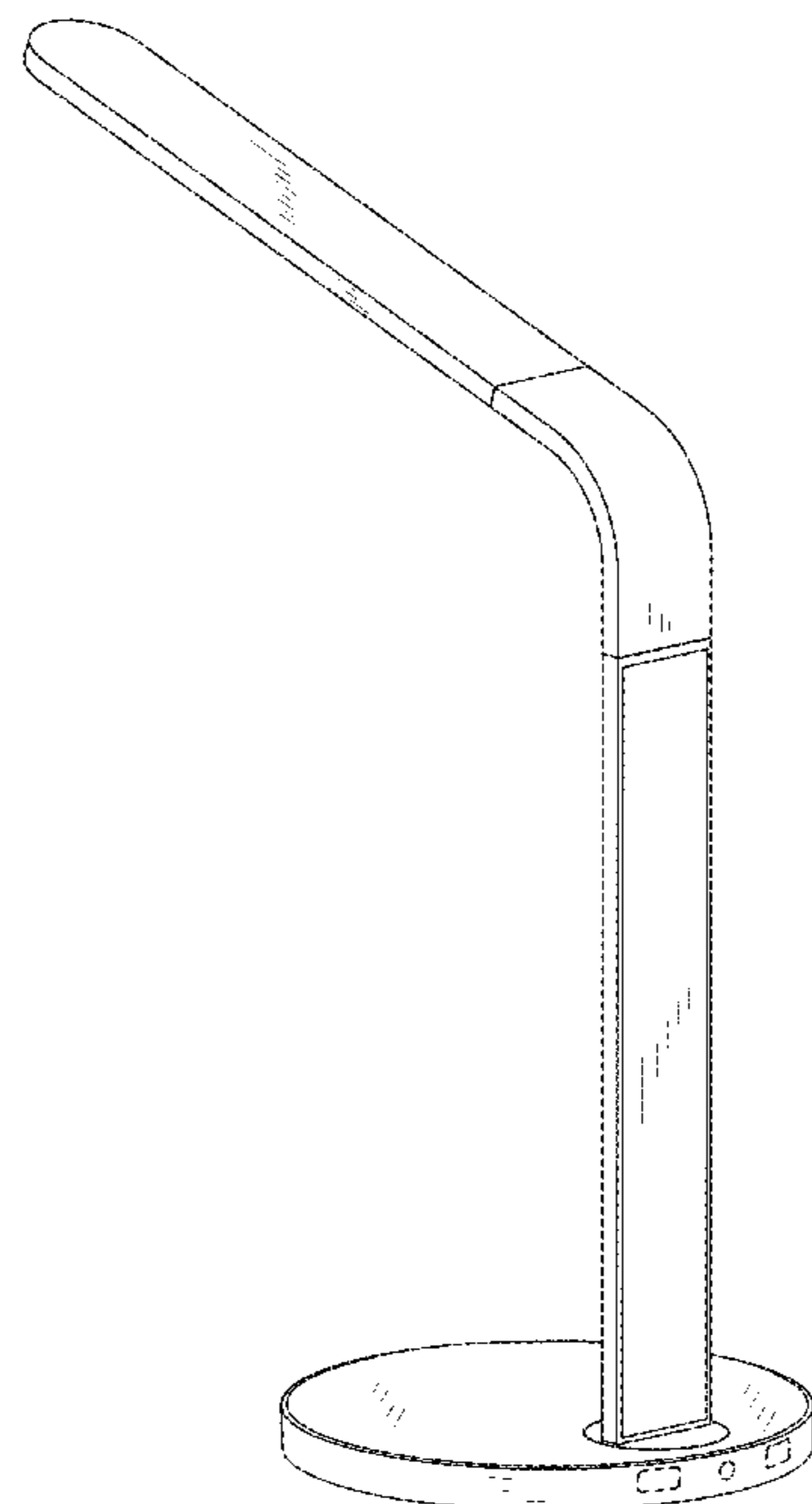
(57) **CLAIM**

The ornamental design for a lamp, as shown and described.

DESCRIPTION

FIG. 1 is a front elevational view of a lamp showing my new design;
FIG. 2 is a rear elevational view thereof;
FIG. 3 is a left side view thereof;
FIG. 4 is a right side view thereof;
FIG. 5 is a top plan view thereof;
FIG. 6 is a bottom plan view thereof;
FIG. 7 is a top, front and right side perspective view thereof;
and,
FIG. 8 is a top, rear and right side perspective view thereof.
The broken lines in the drawings illustrate portions of the lamp which form no part of the claimed design. The diagonal lines indicate transparency.

1 Claim, 8 Drawing Sheets



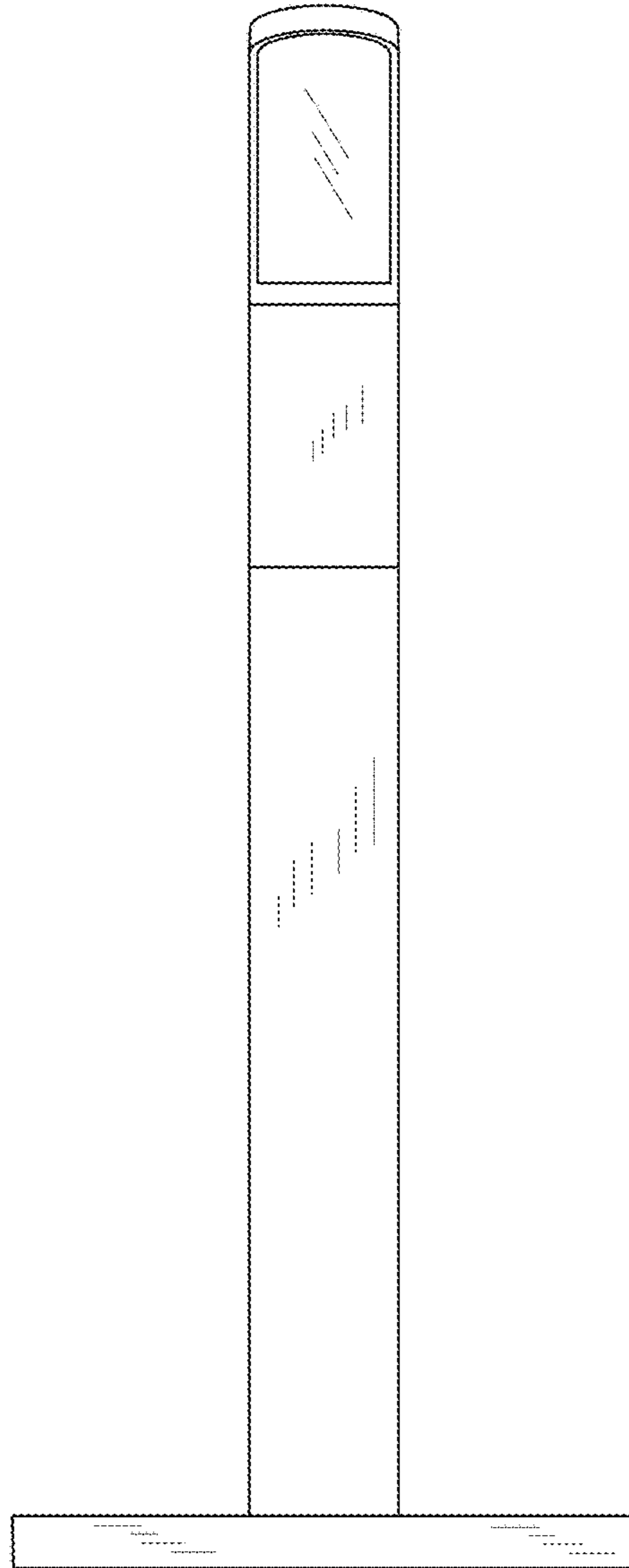


Fig. 1

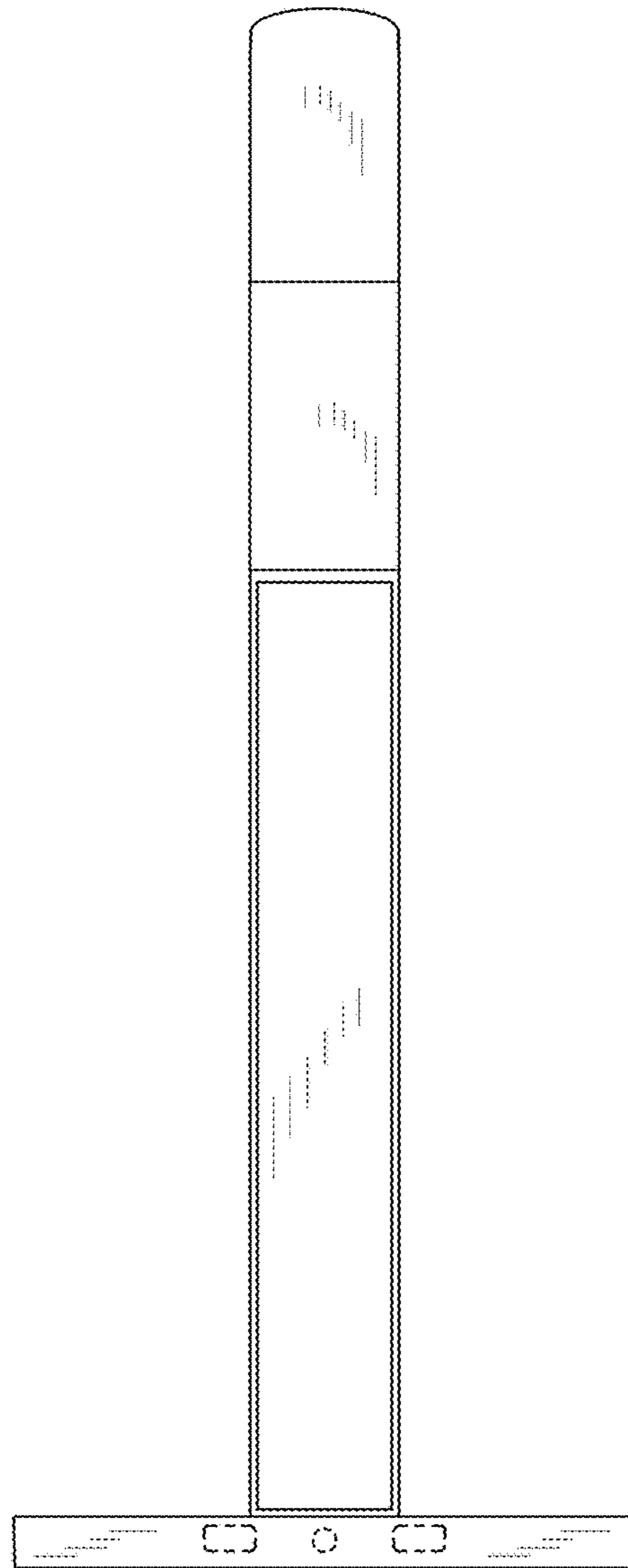


Fig. 2

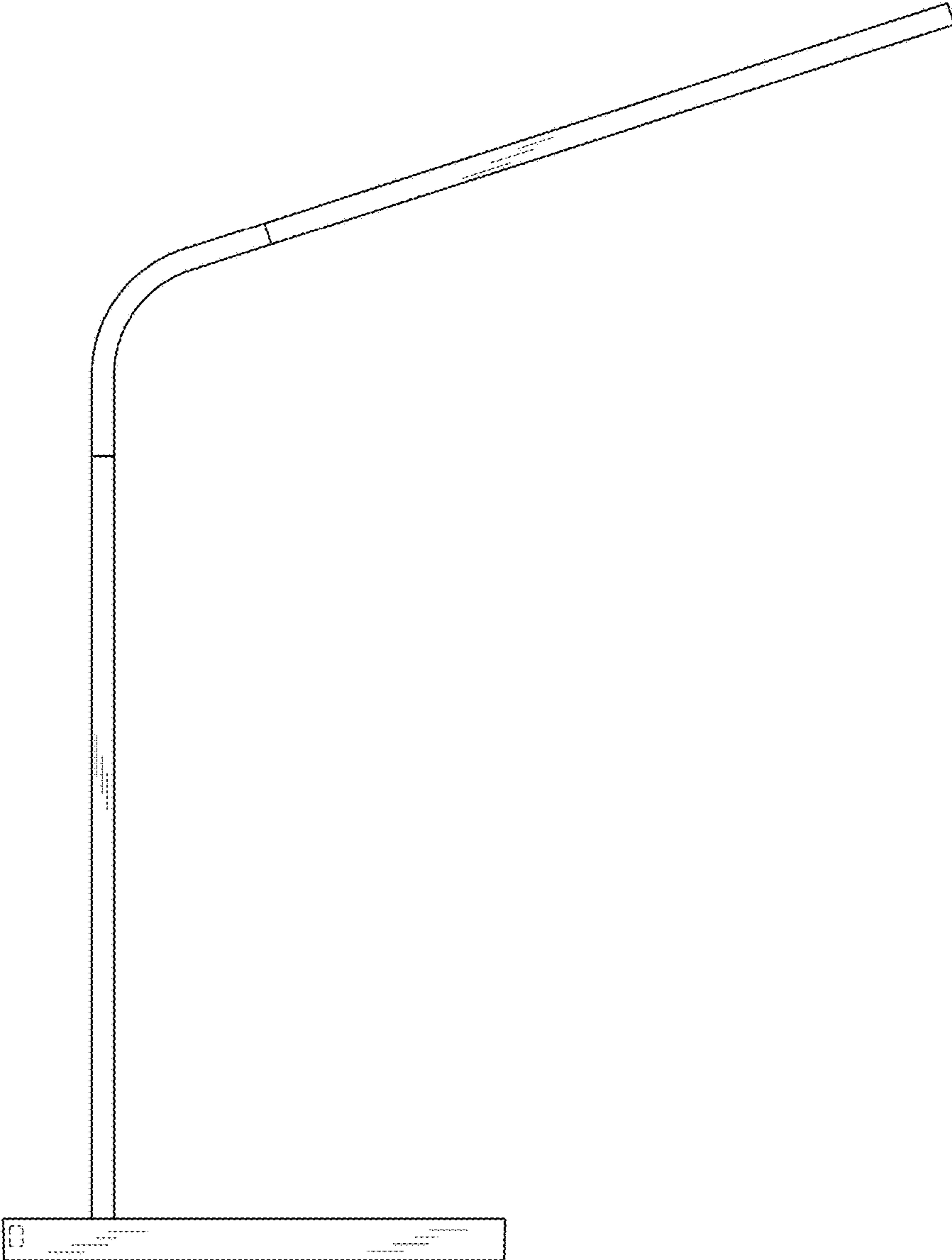


Fig. 3

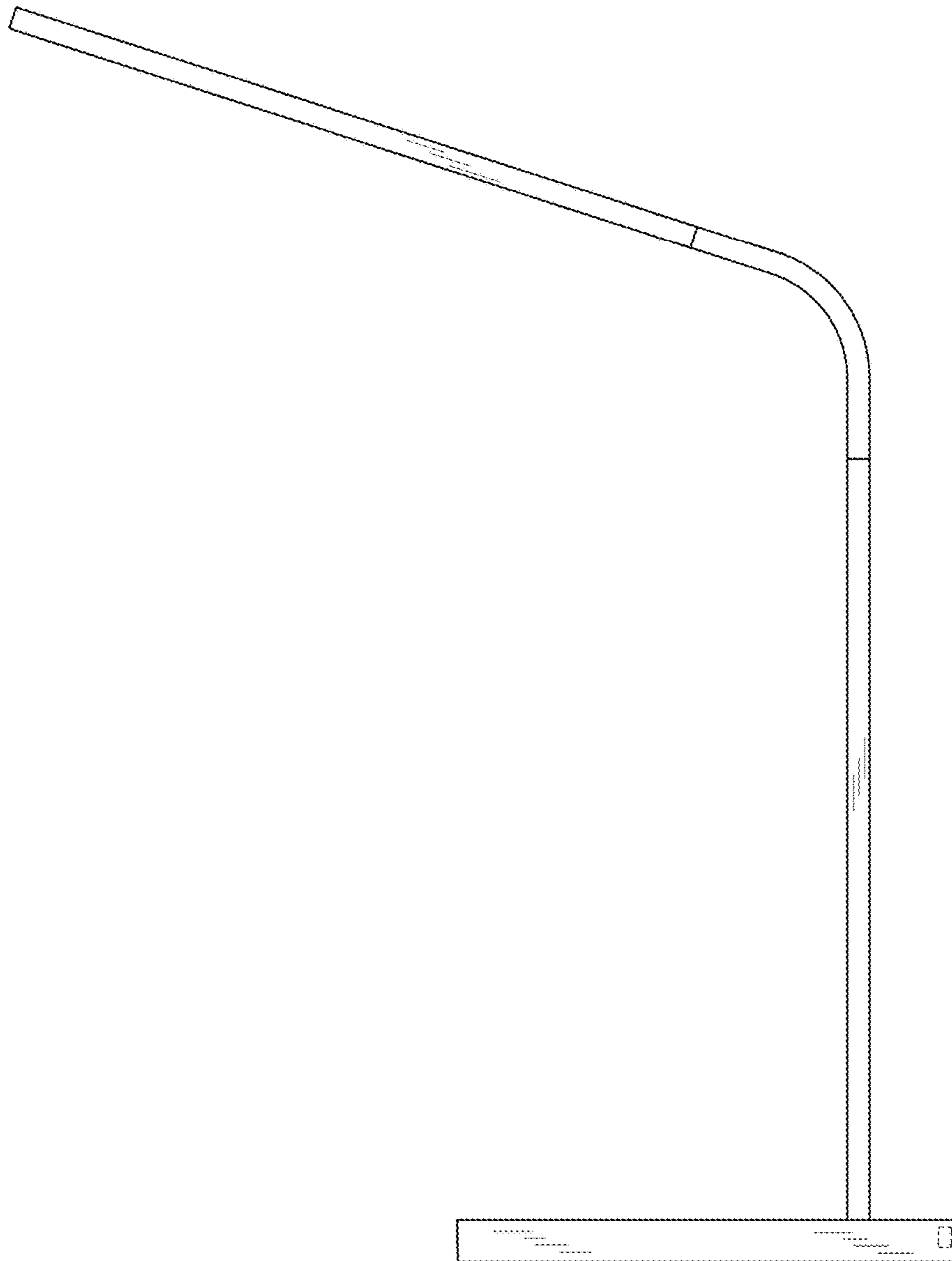


Fig. 4

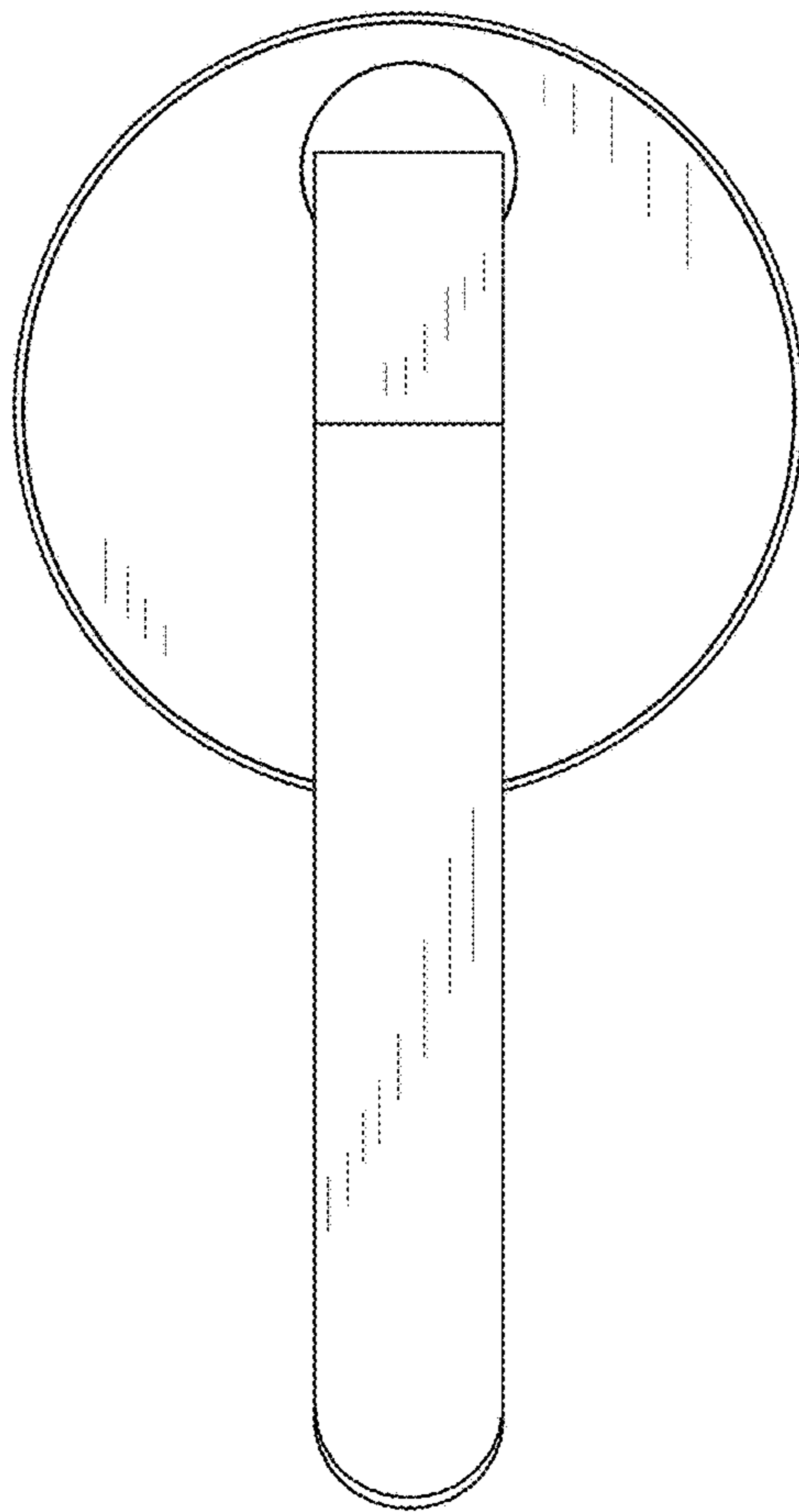


Fig. 5

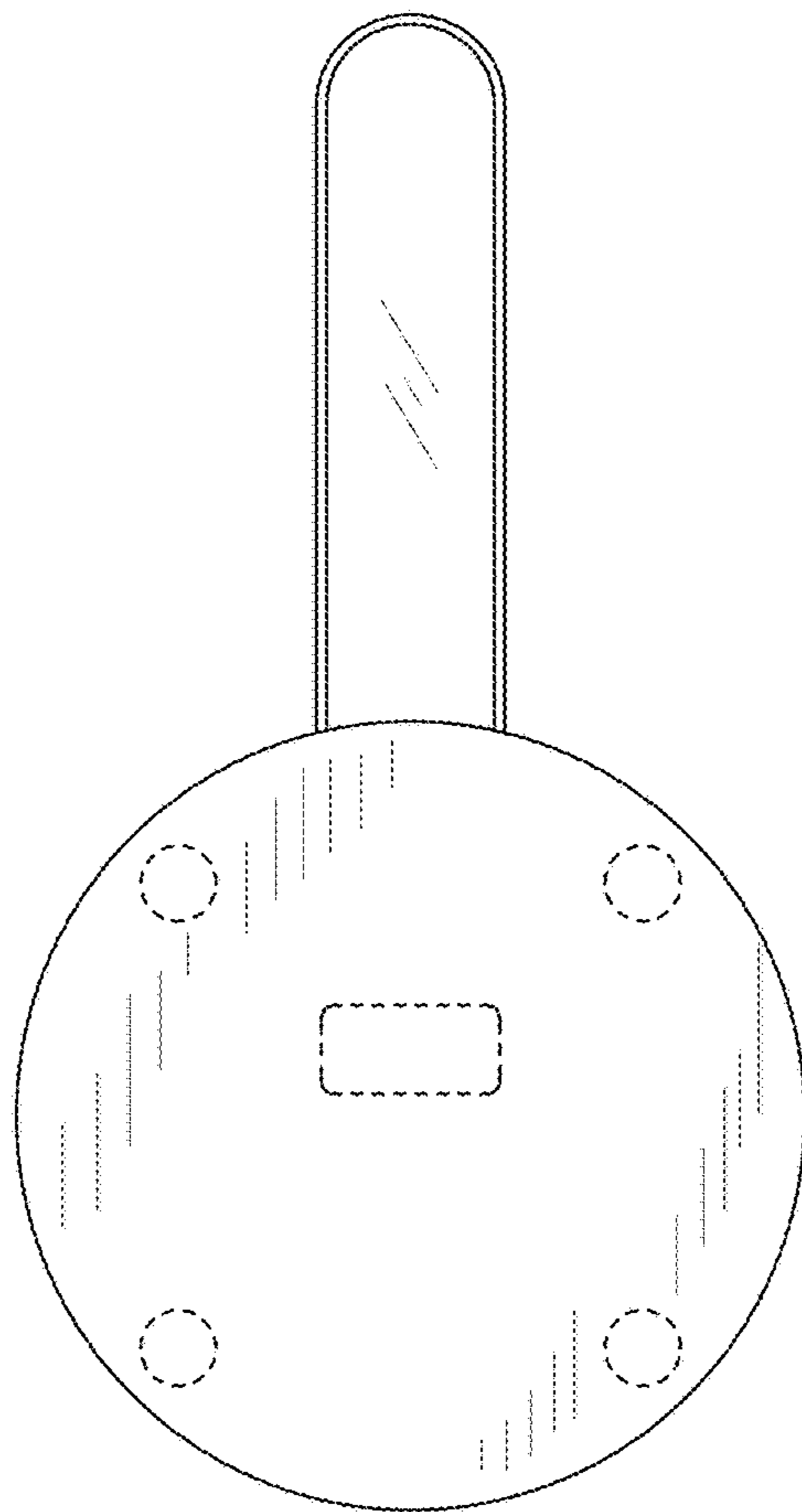


Fig. 6

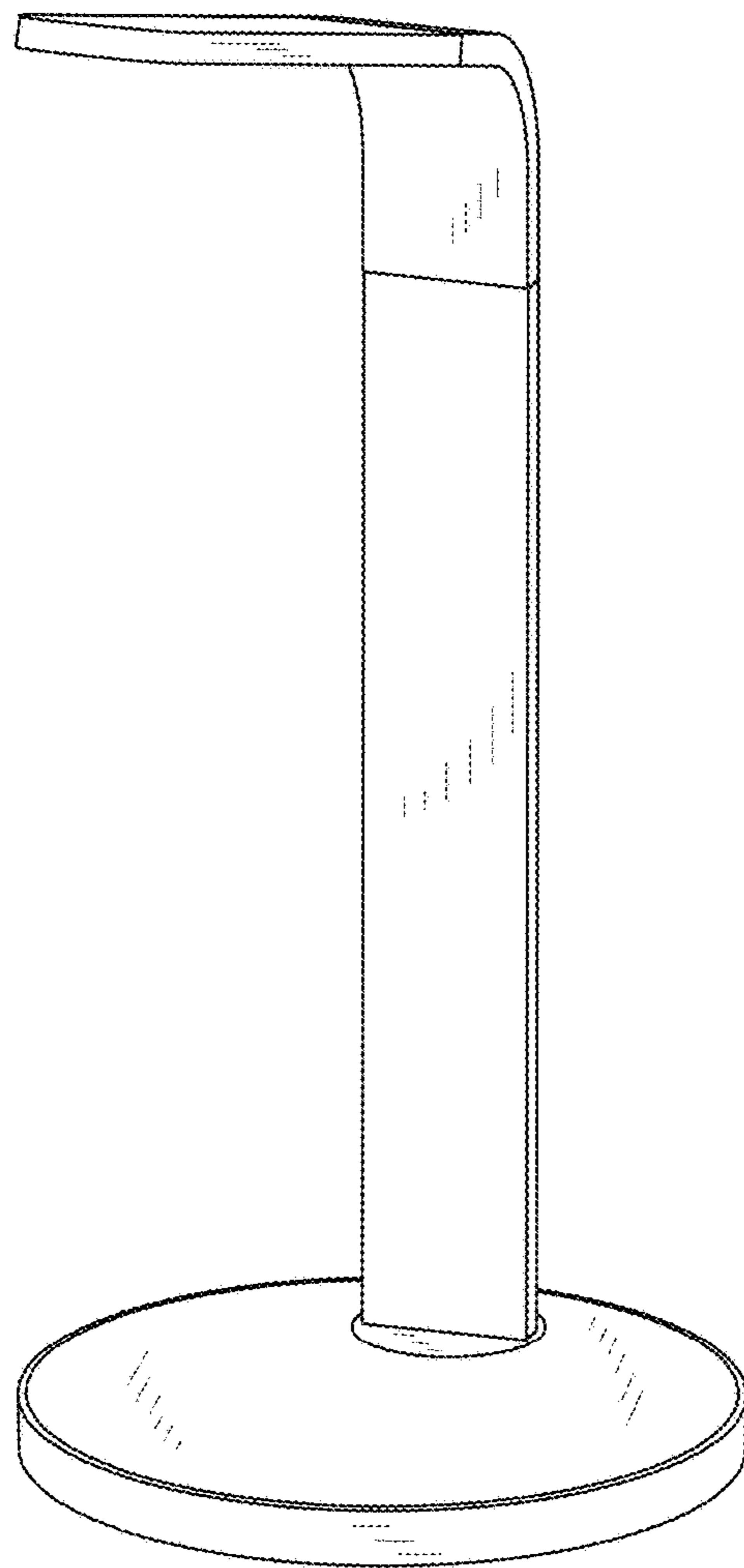


Fig. 7

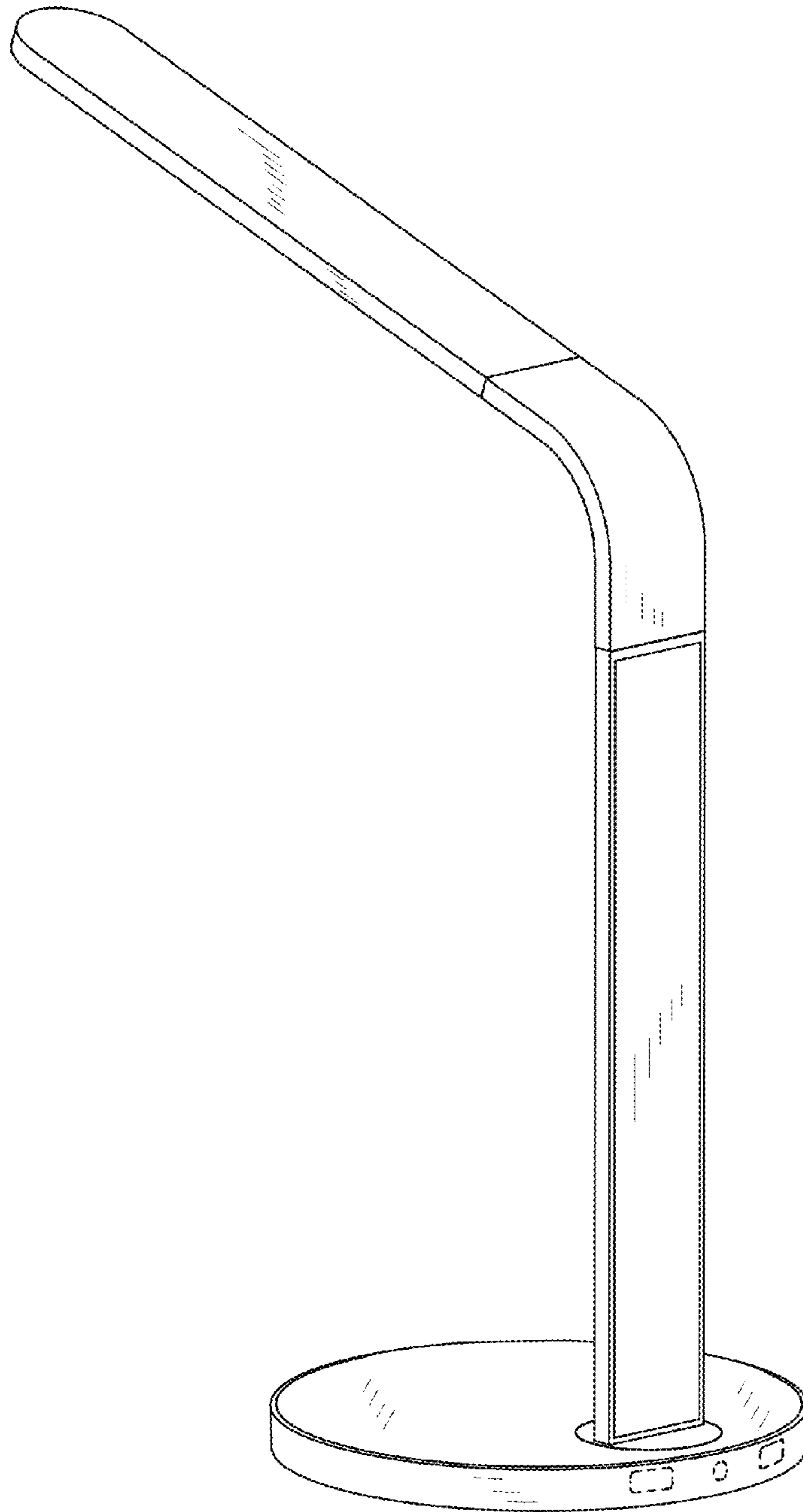


Fig. 8