



US00D874708S

(12) **United States Design Patent** (10) **Patent No.:** **US D874,708 S**  
**Skellham et al.** (45) **Date of Patent:** **\*\* Feb. 4, 2020**

(54) **LUMINAIRE**

(71) Applicant: **Eaton Corporation**, Cleveland, OH  
(US)

(72) Inventors: **Jonathan Jay Skellham**, Verona, NY  
(US); **Prashant Dilip Lokhande**,  
Maharashtra (IN); **Ishwari Ramesh**  
**Marne**, Pune (IN); **Pushpak Paris**  
**Yabrer**, Karnataka (IN); **Alok Das**,  
Maharashtra (IN)

(73) Assignee: **Eaton Intelligent Power Limited**,  
Dublin (IE)

(\*\*) Term: **15 Years**

(21) Appl. No.: **29/583,842**

(22) Filed: **Nov. 9, 2016**

(30) **Foreign Application Priority Data**

May 13, 2016 (IN) ..... 283430  
May 13, 2016 (IN) ..... 283431  
May 13, 2016 (IN) ..... 283432  
May 13, 2016 (IN) ..... 283433

(51) **LOC (12) Cl.** ..... **26-04**

(52) **U.S. Cl.**  
USPC ..... **D26/76**

(58) **Field of Classification Search**  
USPC ..... D26/76, 78, 79, 80, 81, 82, 83, 85, 86,  
D26/88, 90, 113, 118, 119, 120, 121, 122,  
D26/138, 139, 140, 141, 142, 152  
CPC ..... F21S 2/00; F21S 4/00; F21S 4/003; F21S  
4/005; F21S 4/006; F21S 4/007; F21S  
4/008; F21S 6/00; F21S 8/00; F21S  
8/024; F21S 8/026; F21S 8/031; F21S  
8/033; F21S 8/035-037; F21S 8/04; F21S  
8/043; F21S 8/063

See application file for complete search history.

(56) **References Cited**

U.S. PATENT DOCUMENTS

D459,517 S \* 6/2002 Shemitz ..... D26/76  
D476,753 S \* 7/2003 Chelf ..... D26/3  
D567,425 S \* 4/2008 Yates ..... D26/76  
D604,001 S \* 11/2009 Thun ..... D26/76  
D632,419 S \* 2/2011 Ng ..... D26/78  
D675,365 S \* 1/2013 Beghelli ..... D26/78  
D693,514 S \* 11/2013 Mueller ..... D26/76  
D704,372 S \* 5/2014 Speier ..... D26/122  
D704,878 S \* 5/2014 Wilson ..... D26/76  
D709,238 S \* 7/2014 May ..... D26/72  
D764,695 S 8/2016 Treible, Jr. et al.  
D787,731 S 5/2017 Blessitt et al.  
D789,588 S \* 6/2017 Lonsdale ..... D26/76  
D791,998 S \* 7/2017 Lonsdale ..... D26/76  
D793,603 S \* 8/2017 Parker ..... D26/76  
D803,455 S \* 11/2017 Blessitt ..... D26/76  
D805,234 S \* 12/2017 Ross ..... D26/76

(Continued)

*Primary Examiner* — Natasha Vujcic

(74) *Attorney, Agent, or Firm* — Merchant & Gould P.C.

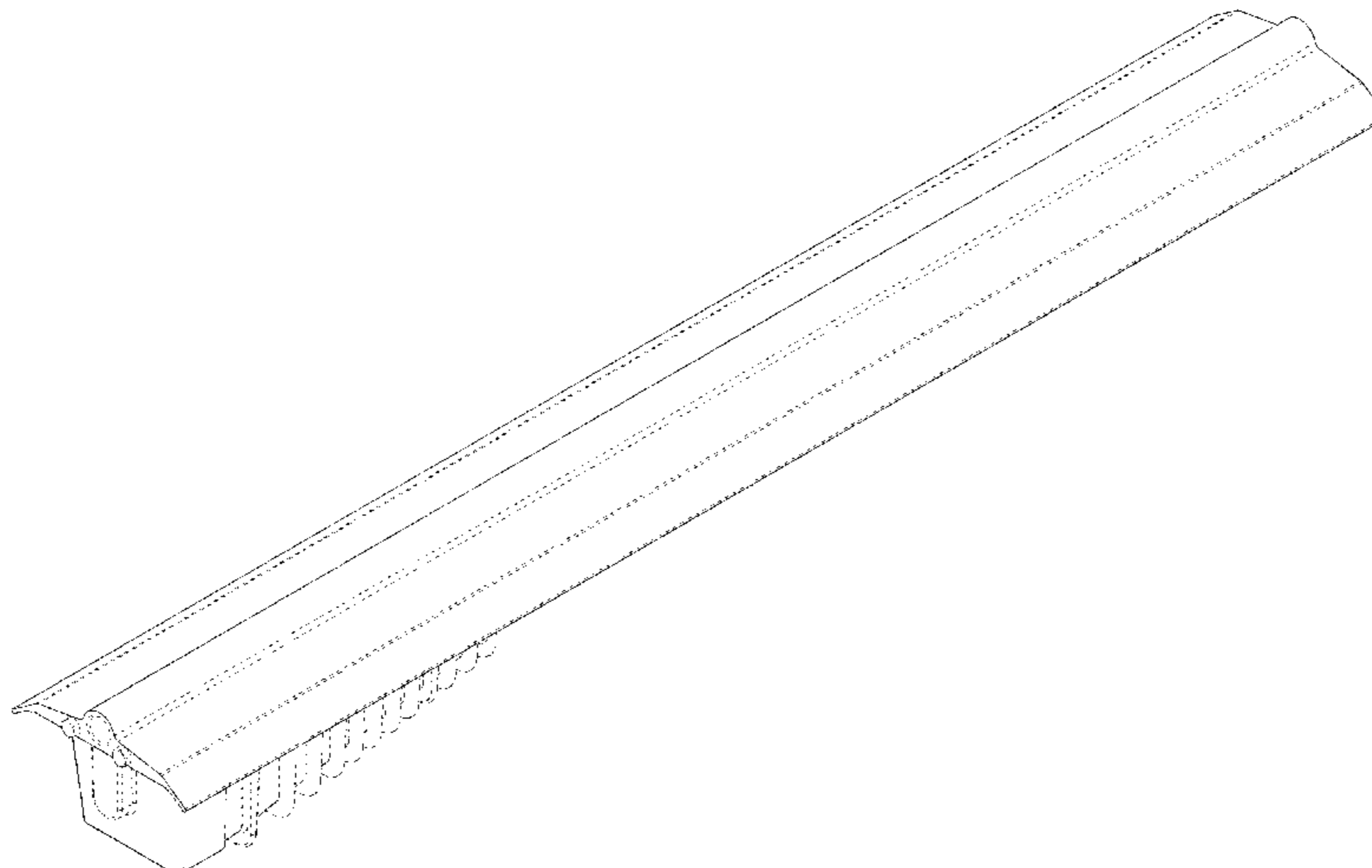
(57) **CLAIM**

The ornamental design for a luminaire, as shown and described.

**DESCRIPTION**

FIG. 1 is a top perspective view of a luminaire according to our new design;  
FIG. 2 is a front view thereof;  
FIG. 3 is a rear view thereof;  
FIG. 4 is a right side view thereof;  
FIG. 5 is a left side view thereof;  
FIG. 6 is a top view thereof;  
FIG. 7 is a bottom view thereof; and,  
FIG. 8 is a bottom perspective view thereof.  
The broken lines in the drawings illustrate portions of the luminaire which forms no part of the claimed design.

**1 Claim, 6 Drawing Sheets**



(56)

**References Cited**

U.S. PATENT DOCUMENTS

9,869,435 B2    1/2018   DeCarr et al.  
D819,251 S   \*   5/2018   Martins ..... D26/76  
D822,870 S    7/2018   Scarlata et al.

\* cited by examiner

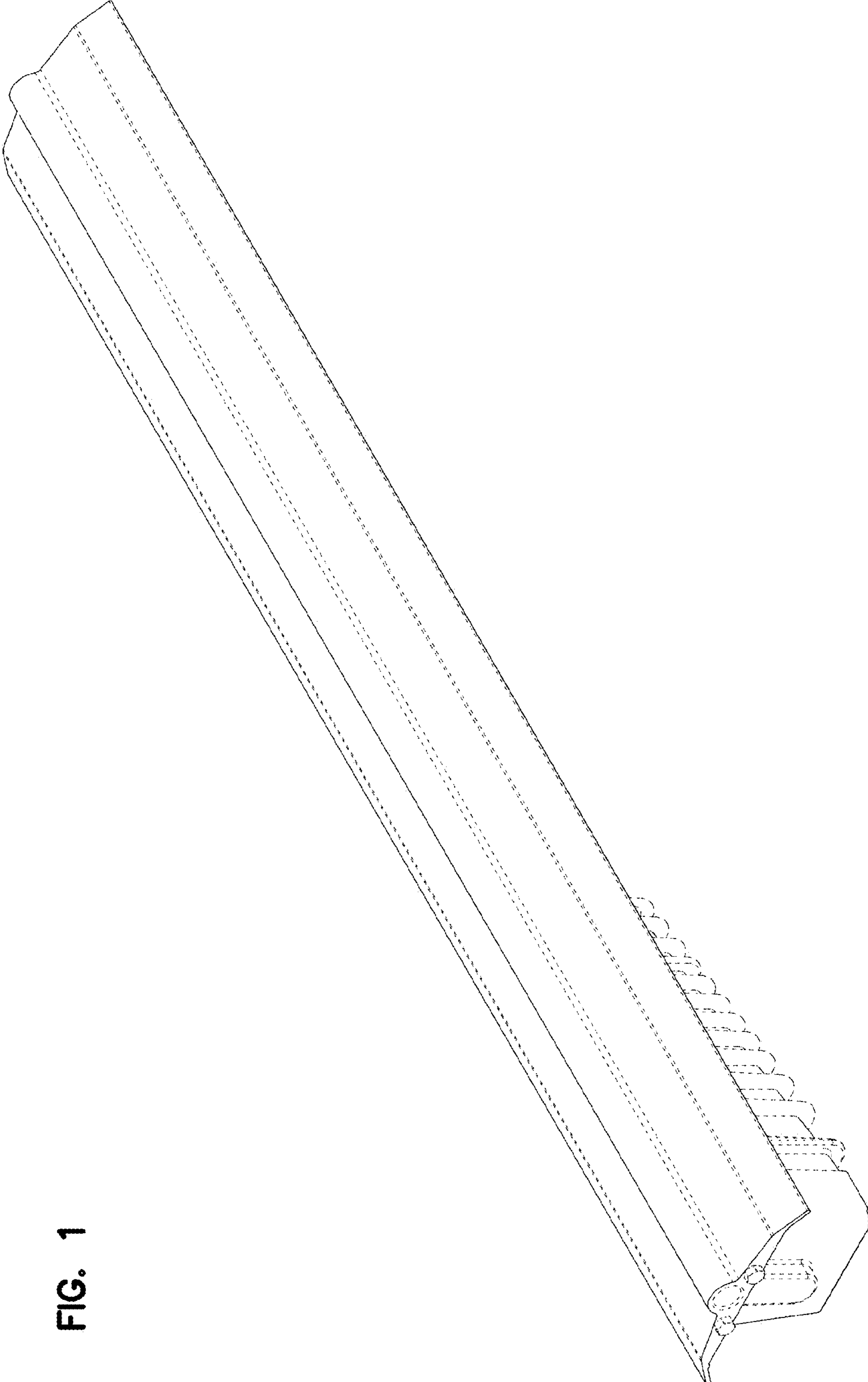
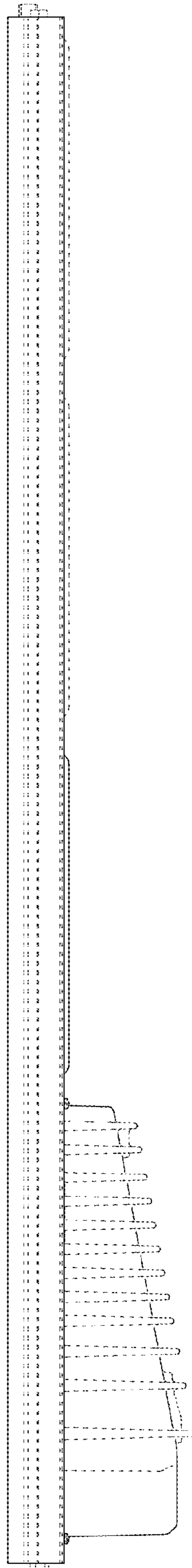


FIG. 1

FIG. 2



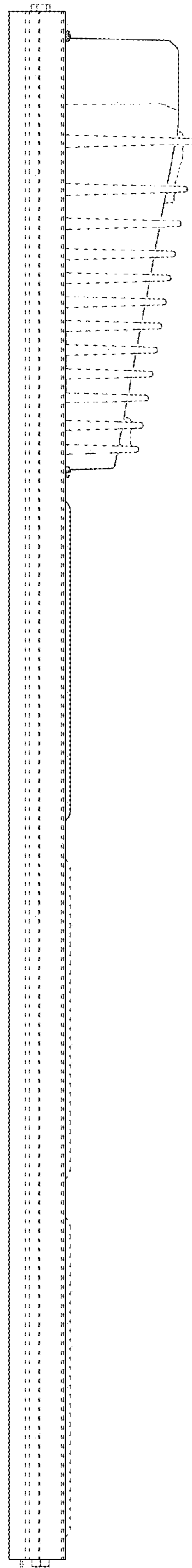


FIG. 3

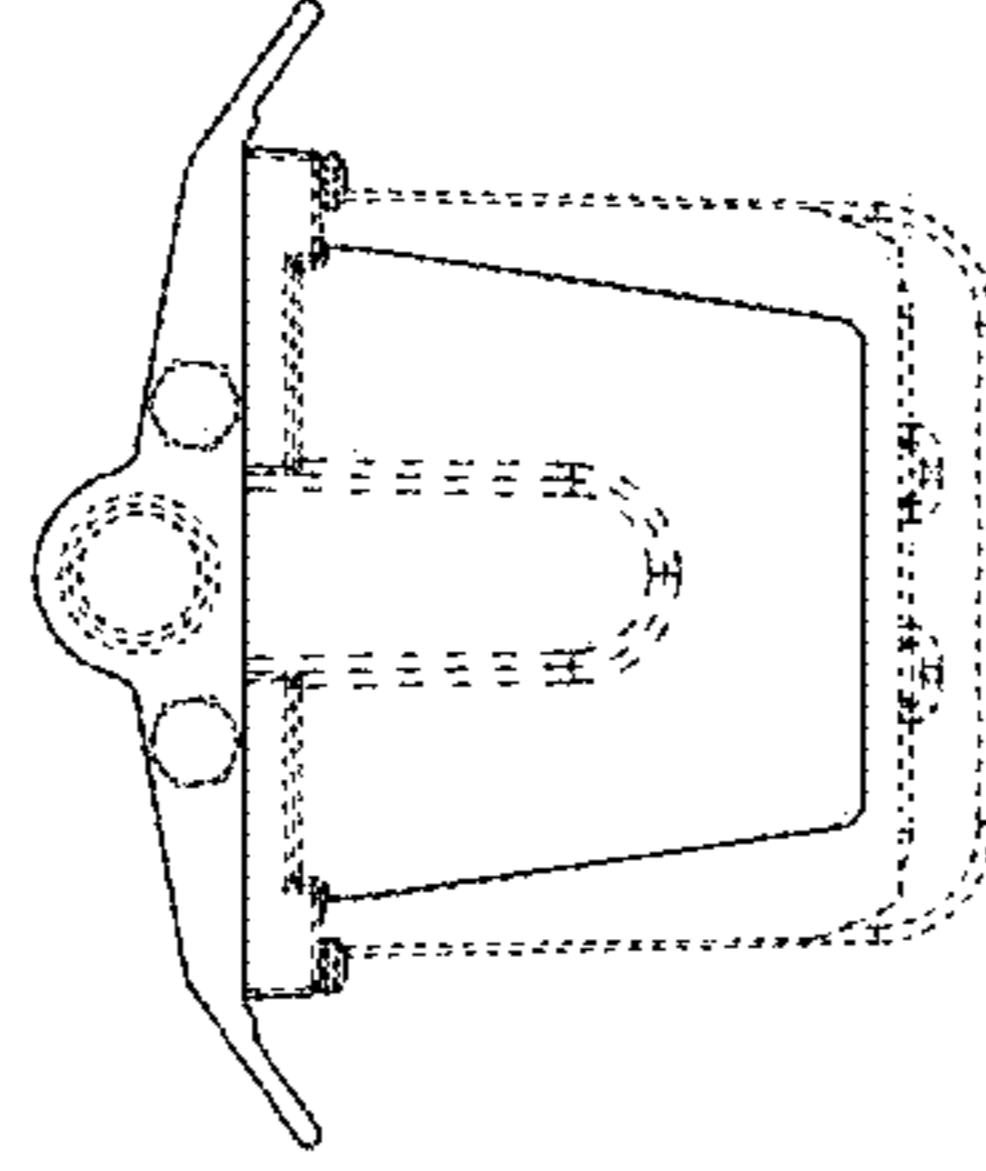


FIG. 5

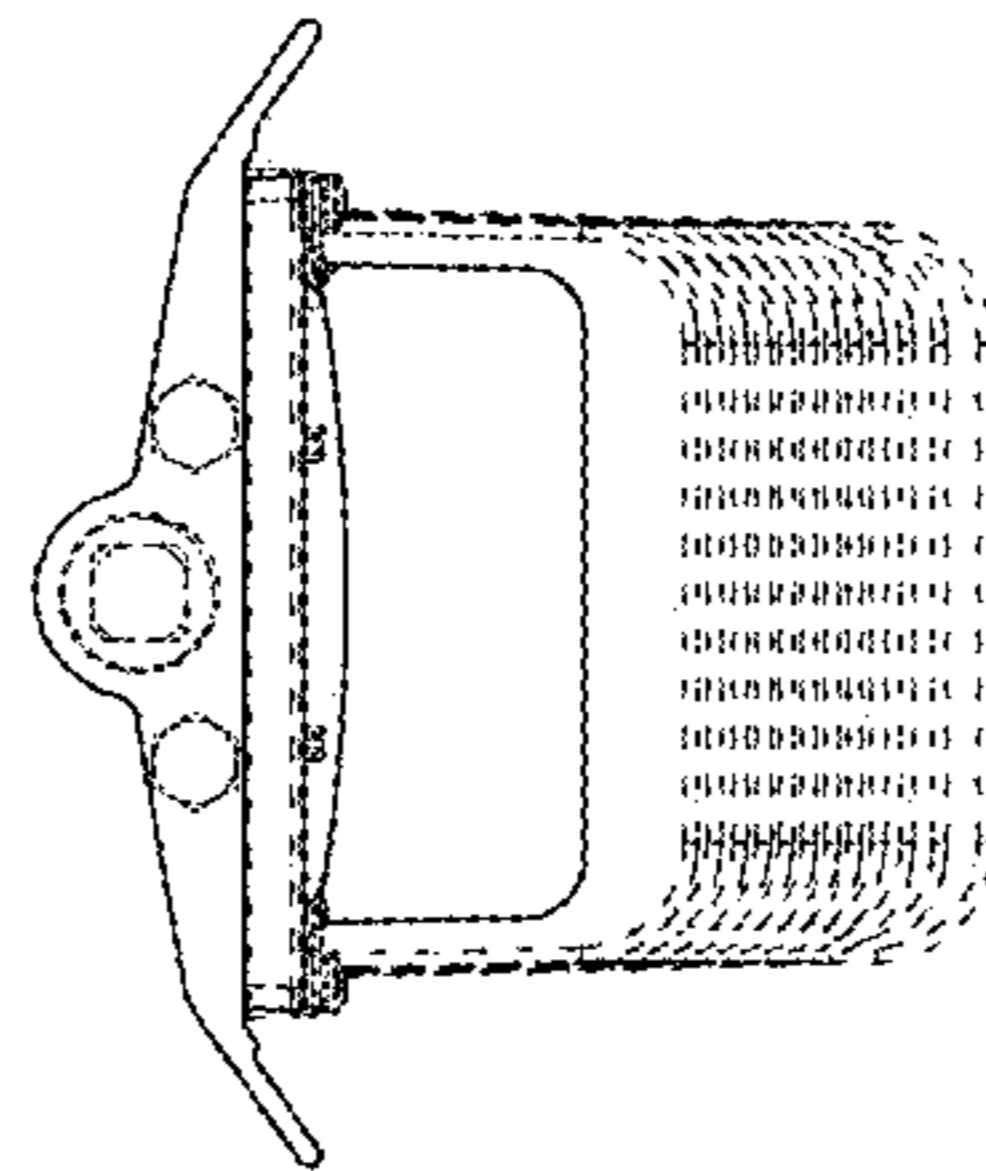


FIG. 4

FIG. 6

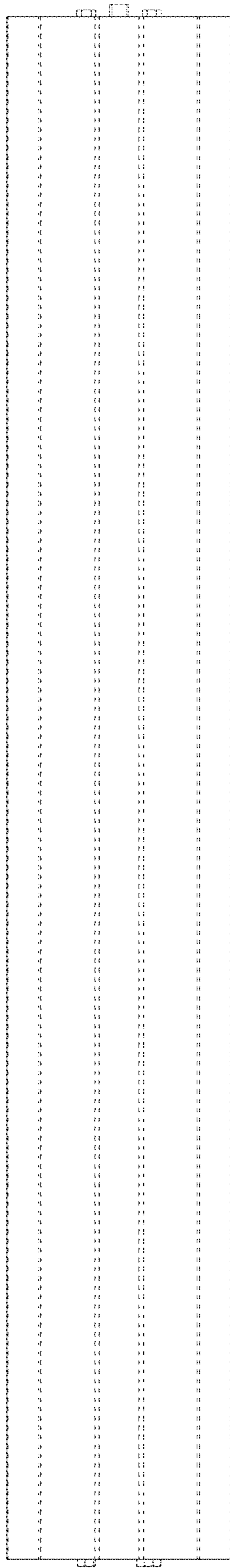
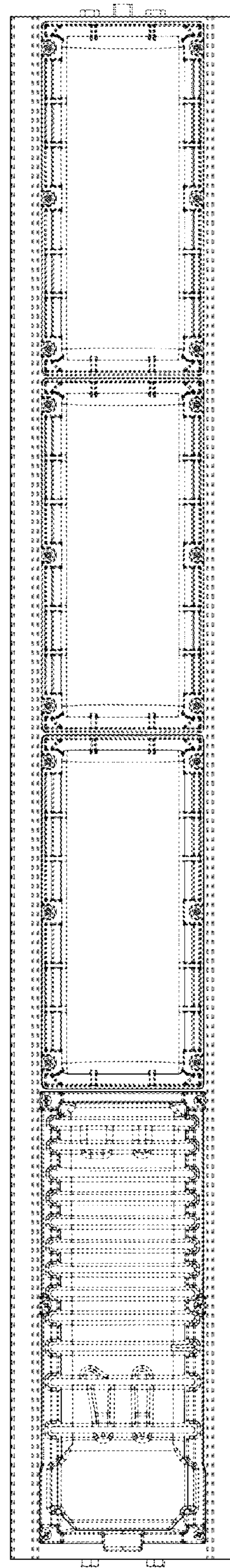


FIG. 7



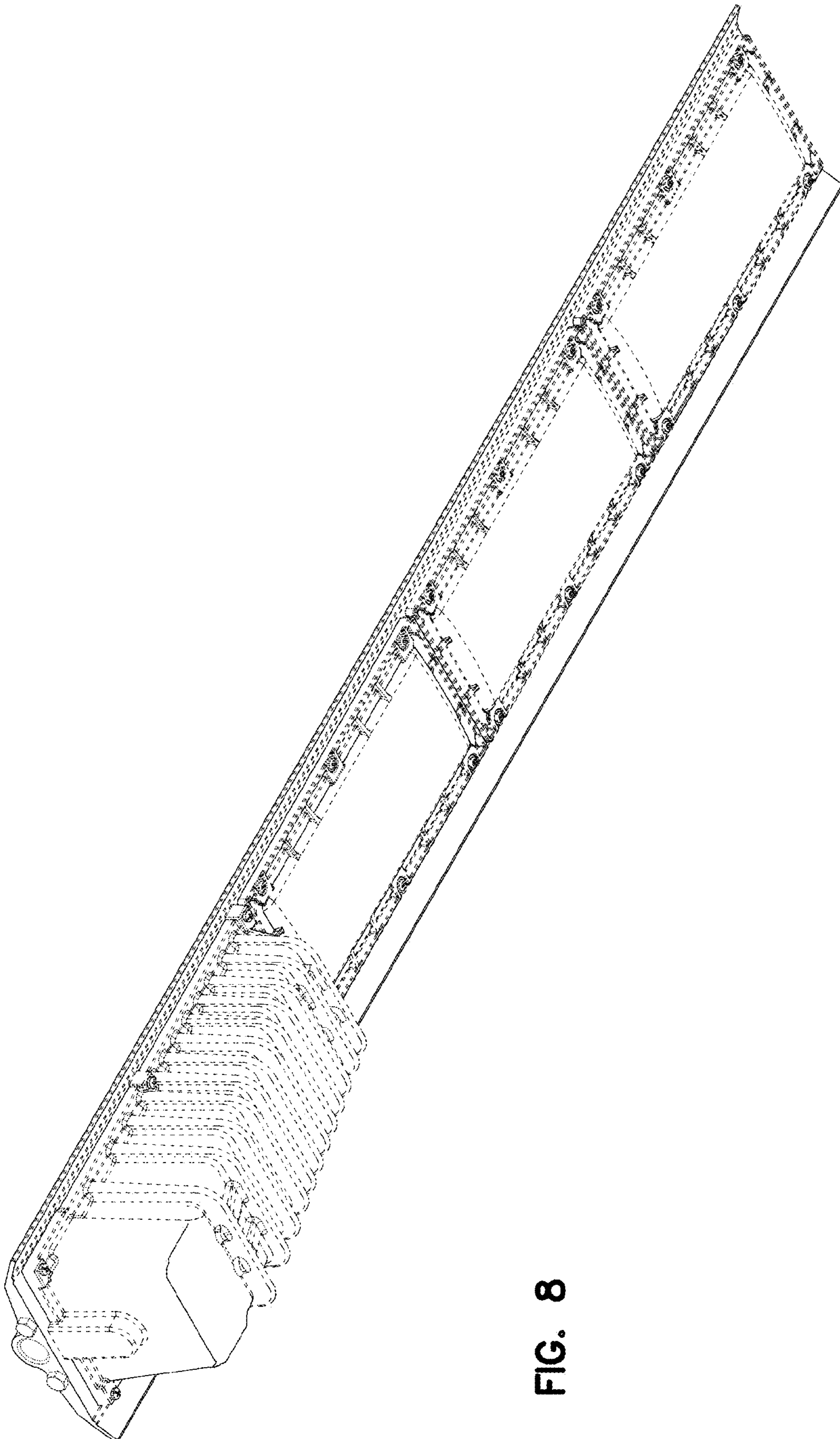


FIG. 8