



US00D874705S

(12) **United States Design Patent**  
**Arola Ferrer**

(10) **Patent No.:** **US D874,705 S**  
(45) **Date of Patent:** **\*\* Feb. 4, 2020**

- (54) **LUMINAIRE**
- (71) Applicant: **SIMON, S.A.U.**, Barcelona (ES)
- (72) Inventor: **Antoni Arola Ferrer**, Barcelona (ES)
- (73) Assignee: **Simon, S.A.U.**, Barcelona (ES)
- (\*\*) Term: **15 Years**
- (21) Appl. No.: **29/650,925**
- (22) Filed: **Jun. 11, 2018**

**Related U.S. Application Data**

- (62) Division of application No. 35/501,644, filed on Jul. 11, 2016 (U.S. filing date under 35 U.S.C. 384), and having an international filing date of Jul. 11, 2016, now Pat. No. Des. 820,493.
- (51) **LOC (12) Cl.** ..... **26-05**
- (52) **U.S. Cl.**  
USPC ..... **D26/71**
- (58) **Field of Classification Search**  
USPC ..... D26/63, 71, 92  
CPC .. F21S 8/033; F21S 8/036; F21S 8/085; F21S 8/086; F21V 21/30; F21W 2111/02  
See application file for complete search history.

(56) **References Cited**

**U.S. PATENT DOCUMENTS**

- 5,283,968 A \* 2/1994 Williams ..... G02B 6/0043  
40/546
- 5,625,968 A \* 5/1997 Ashall ..... G02B 6/0043  
40/546
- D698,973 S \* 2/2014 Santoro ..... D26/74
- D709,641 S 7/2014 Maxik et al.
- D709,642 S 7/2014 Maxik et al.
- D735,391 S \* 7/2015 Blessitt ..... D26/74

- 9,110,209 B2 \* 8/2015 Blessitt ..... G02B 6/0055
- D762,907 S 8/2016 Jeswani et al.
- D769,501 S 10/2016 Jeswani et al.
- D771,296 S 11/2016 Duckworth et al.
- D776,325 S 1/2017 Jeswani et al.
- D779,100 S 2/2017 Redfern
- D779,101 S 2/2017 Redfern
- D779,701 S \* 2/2017 Lazalier ..... D26/74
- D785,228 S 4/2017 Guzzini
- D786,472 S 5/2017 Redfern
- D790,102 S 6/2017 Guzzini
- 2016/0356436 A1\* 12/2016 Blessitt ..... F21S 8/00

\* cited by examiner

*Primary Examiner* — Michael A. Pratt

(74) *Attorney, Agent, or Firm* — Blue Filament Law PLLC

(57) **CLAIM**

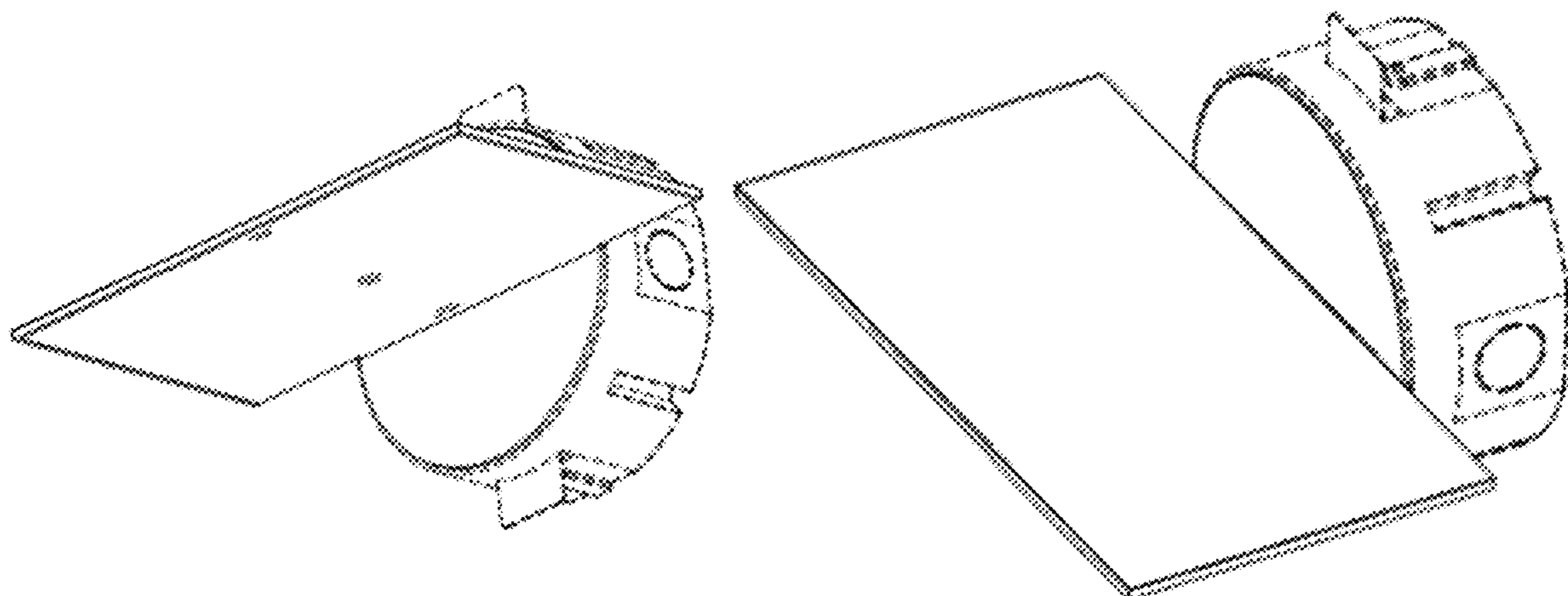
The ornamental design for a luminaire, as shown and described.

**DESCRIPTION**

FIG. 1 is a front view of an inventive luminaire;  
 FIG. 2 is a first perspective view of the luminaire depicted in FIG. 1;  
 FIG. 3 is a right side view of the luminaire depicted in FIG. 1, where the left side view is mirror image of FIG. 3;  
 FIG. 4 is a bottom view of the luminaire depicted in FIG. 1;  
 FIG. 5 is a top view of the luminaire depicted in FIG. 1;  
 FIG. 6 is a second perspective view of the luminaire depicted in FIG. 1; and,  
 FIG. 7 is a third perspective view of the luminaire depicted in FIG. 1.

The broken line showing of a backing is for the purpose of illustrating environment and forms no part of the claimed design.

**1 Claim, 7 Drawing Sheets**



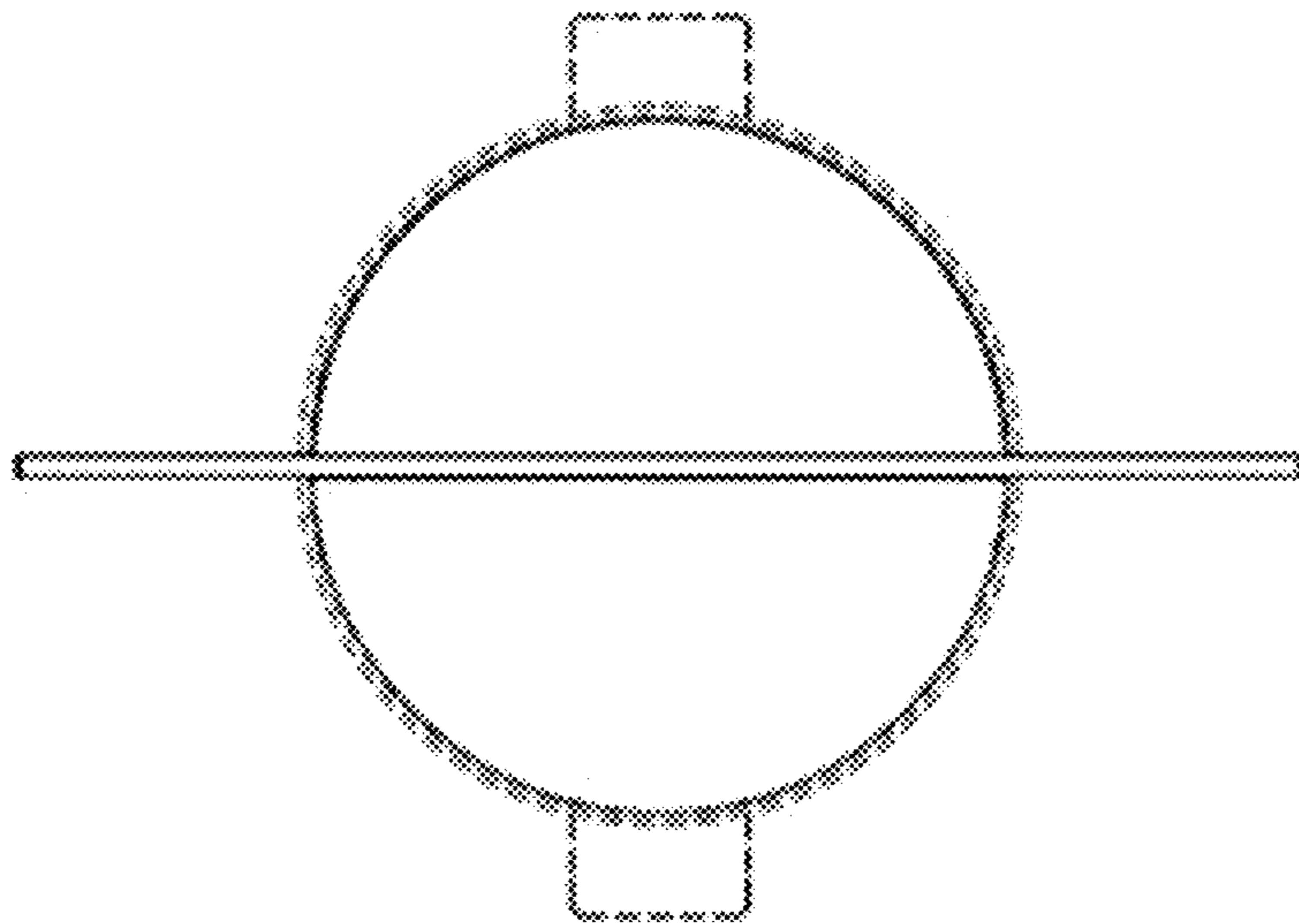


FIG. 1

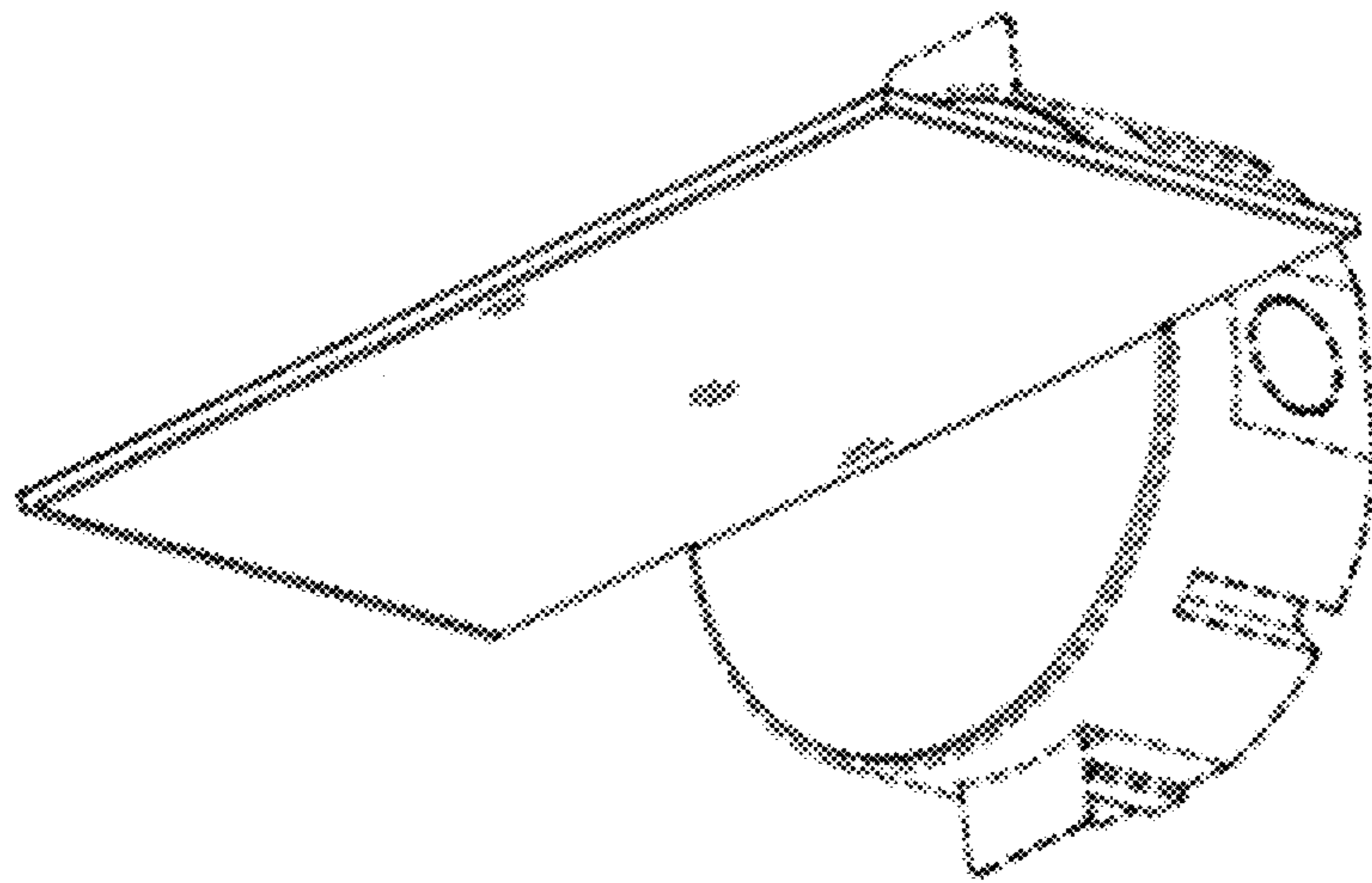


FIG. 2

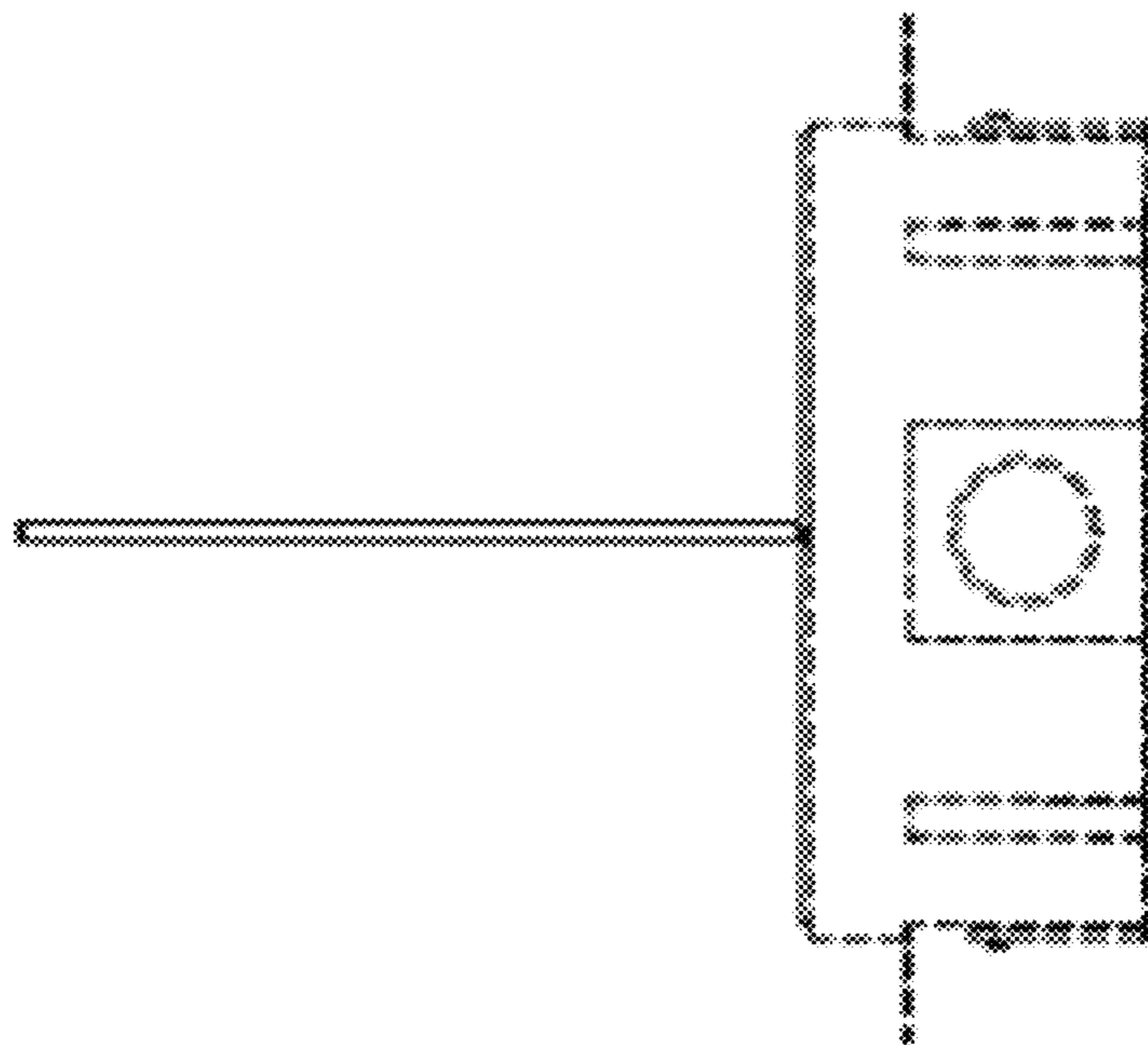


FIG. 3

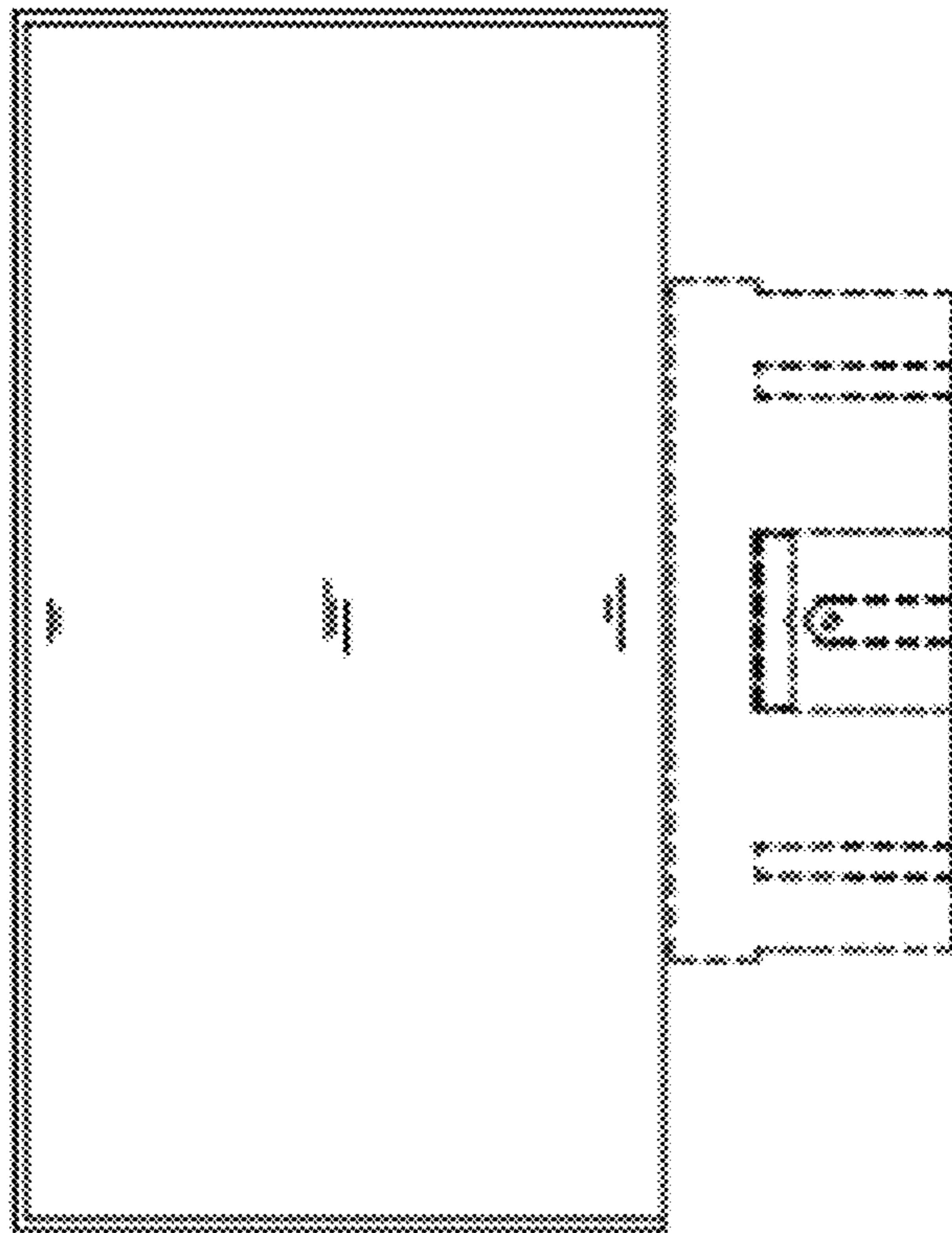


FIG. 4

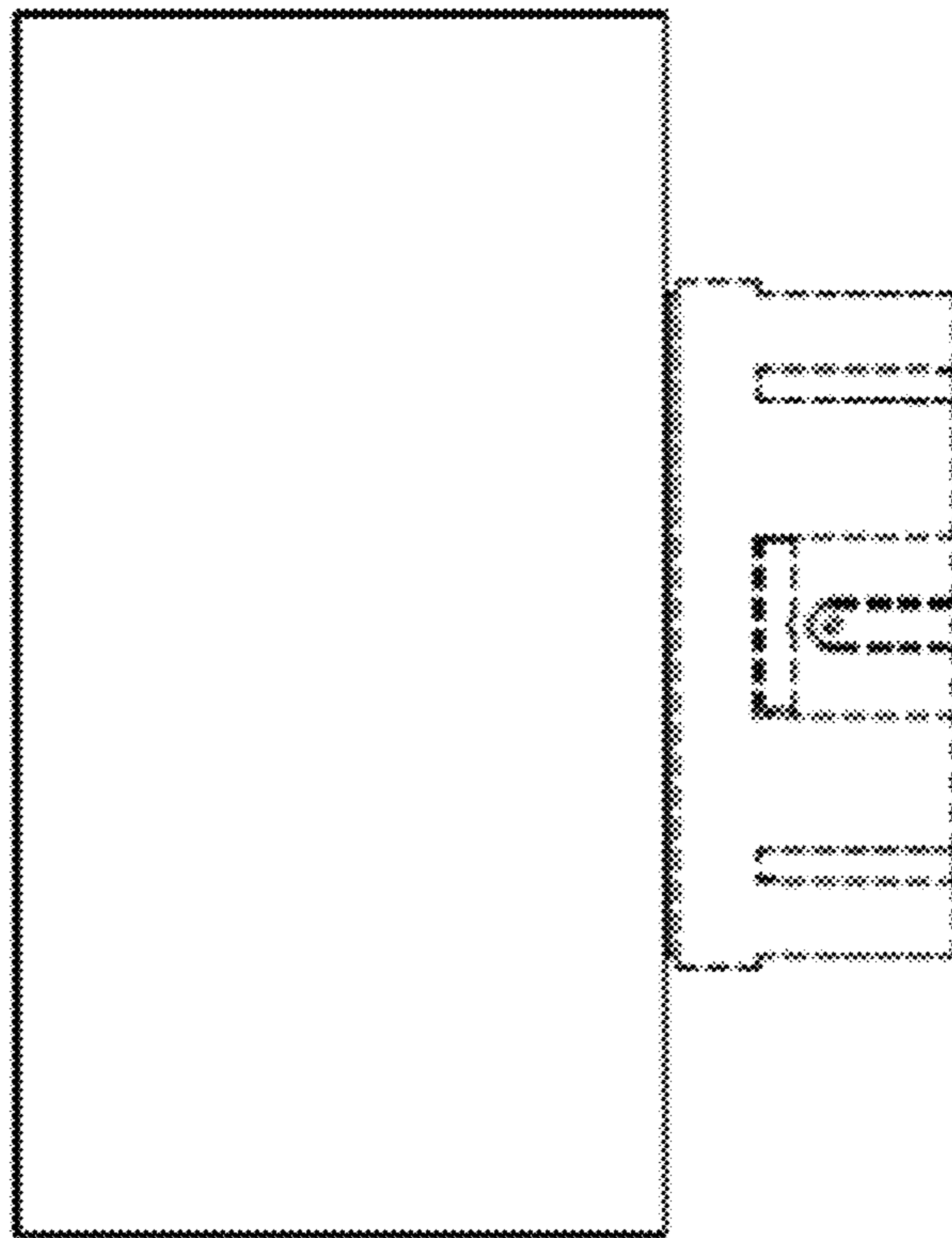


FIG. 5

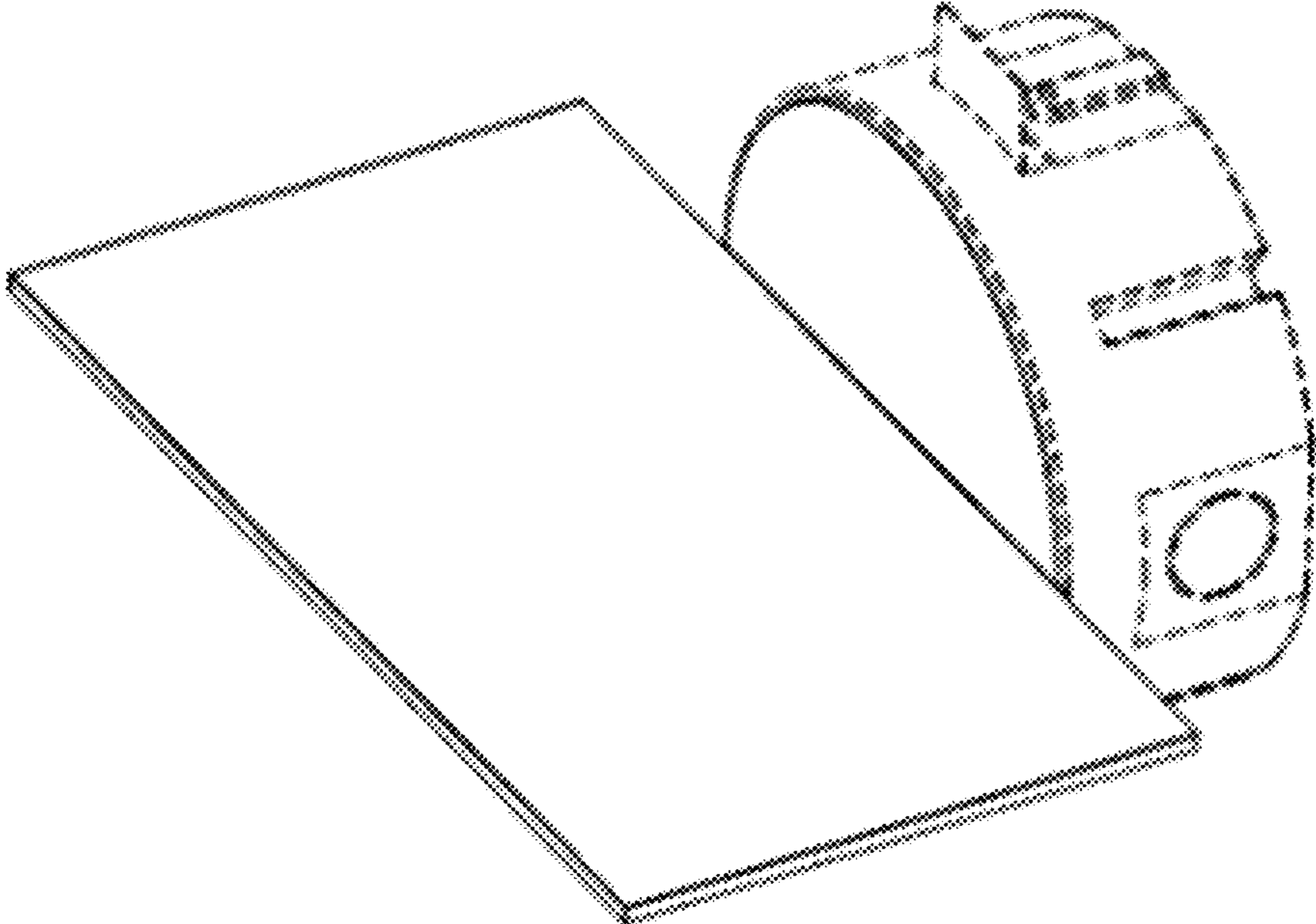


FIG. 6



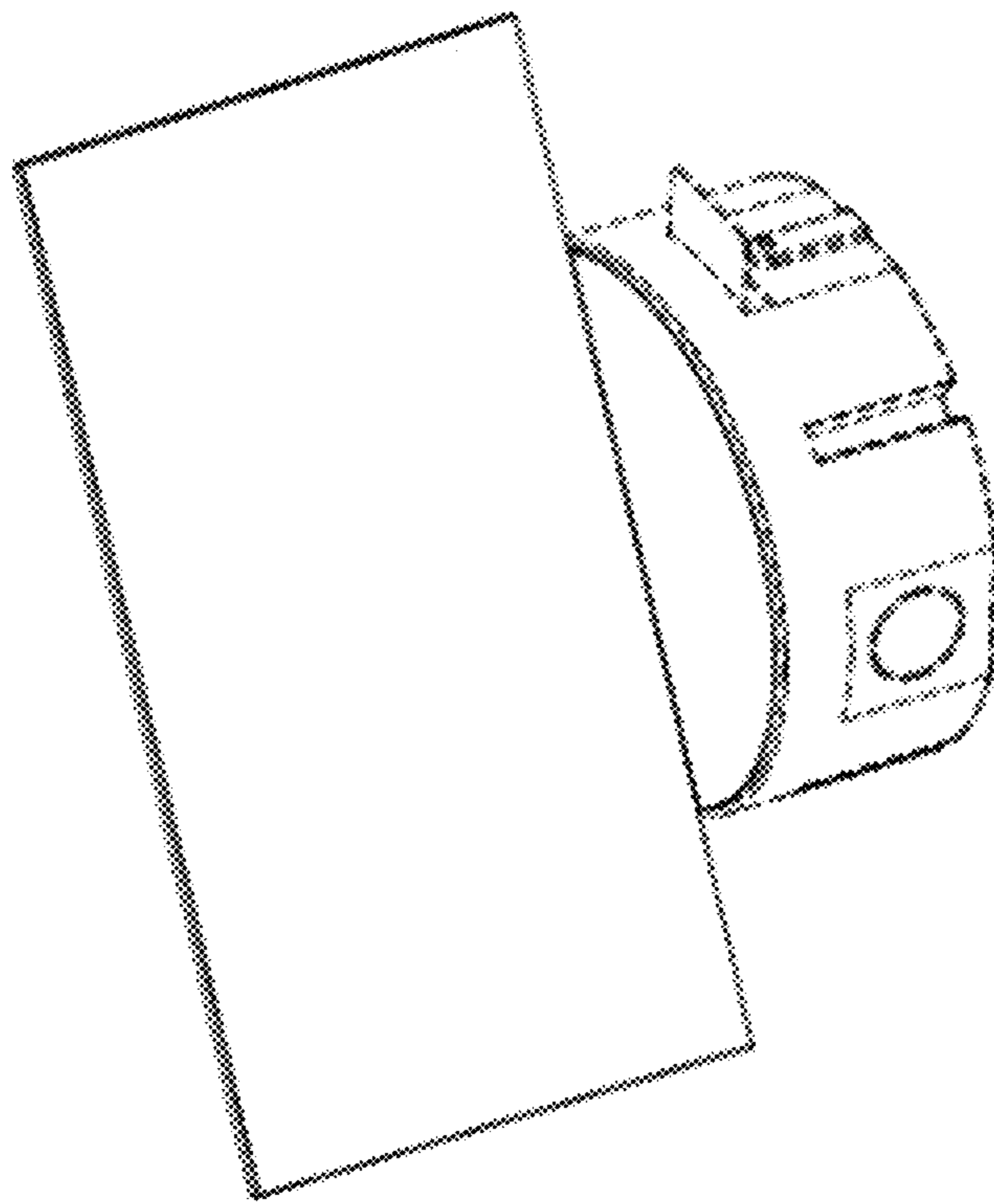


FIG. 7