



US00D874704S

(12) **United States Design Patent** (10) **Patent No.:** **US D874,704 S**
Jaeger (45) **Date of Patent:** **** Feb. 4, 2020**

(54) **SOLAR LIGHT**

(71) Applicant: **SOLAR ECO SYSTEMS**, Sharjah (AE)
(72) Inventor: **Peter Jaeger**, Sharjah (AE)
(73) Assignee: **SOLAR ECO SYSTEMS**, Sharjah (AE)

(**) Term: **15 Years**

(21) Appl. No.: **29/590,647**

(22) Filed: **Jan. 12, 2017**

(30) **Foreign Application Priority Data**

Jul. 26, 2016 (IN) 285547

(51) **LOC (12) Cl.** **26-05**

(52) **U.S. Cl.**
USPC **D26/71**

(58) **Field of Classification Search**
USPC D10/111, 113.1, 113.2, 114.2, 114.6;
D25/126, 127, 129; D26/60, 61, 63,
D26/65-71, 82, 92

(Continued)

(56) **References Cited**

U.S. PATENT DOCUMENTS

D186,547 S * 11/1959 Burton D26/69
3,032,648 A * 5/1962 Pfaff, Jr. F21S 8/086
362/370

(Continued)

FOREIGN PATENT DOCUMENTS

AE D355/2008 9/2012
AE D196/2009 1/2014

(Continued)

OTHER PUBLICATIONS

Shem Solar Light (available online) Retrieved from the internet Aug. 30, 2018 from URL: <https://www.solar-ses.com/ses-products>.*

Primary Examiner — Kevin K Rudzinski

Assistant Examiner — Richard Kearney

(74) *Attorney, Agent, or Firm* — Mark M. Friedman

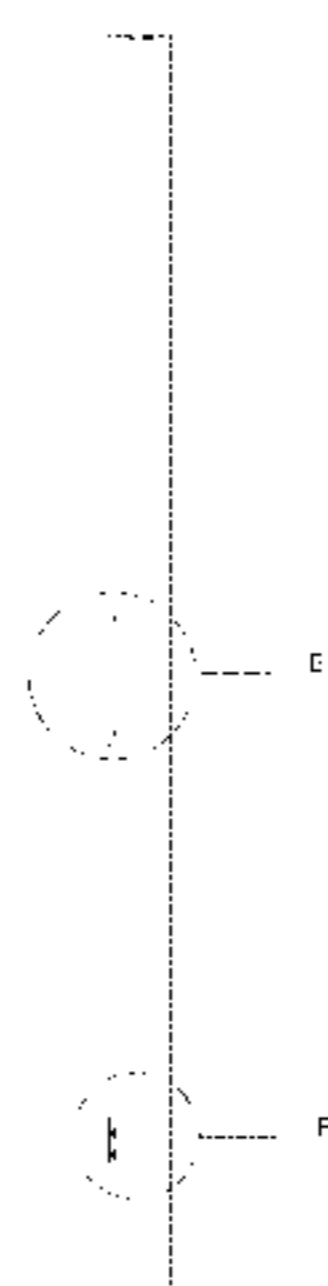
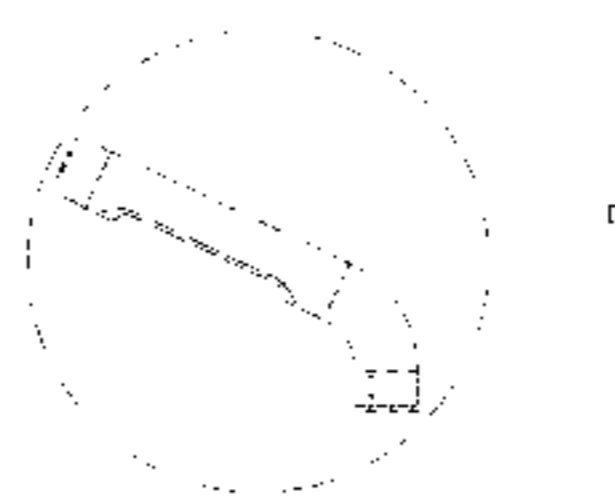
(57) **CLAIM**

The ornamental design for a solar light, as shown and described.

DESCRIPTION

FIG. 1 is a front view of a solar light showing my design; FIG. 2 is a left side view thereof; FIG. 3 is a right side view thereof; FIG. 4 is a rear view thereof; FIG. 5 is a top view thereof; FIG. 6 is a bottom view thereof; FIG. 7 is an enlarged view of detail A taken from FIG. 1; FIG. 8 is an enlarged view of detail B taken from FIG. 1; FIG. 9 is an enlarged view of detail C taken from FIG. 1; FIG. 10 is an enlarged view of detail D taken from FIG. 2; FIG. 11 is an enlarged view of detail E taken from FIG. 2; FIG. 12 is an enlarged view of detail F taken from FIG. 2; FIG. 13 is an enlarged view of detail G taken from FIG. 3; FIG. 14 is an enlarged view of detail H taken from FIG. 3; FIG. 15 is an enlarged view of detail I taken from FIG. 3; FIG. 16 is an enlarged view of detail J taken from FIG. 4; FIG. 17 is an enlarged view of detail K taken from FIG. 5; and, FIG. 18 is an enlarged view of detail L taken from FIG. 6. The broken lines encircling and referencing enlargements and the broken lines illustrating portions of the solar light form no part of the claimed design.

1 Claim, 12 Drawing Sheets



(58) **Field of Classification Search**

CPC F21S 9/03; F21S 9/035; F21S 9/04; F21S
 9/043; F21S 13/10; F21S 13/12; F21S
 8/12; F21S 8/032; F21S 8/08; F21S
 8/083; F21S 8/085; F21S 8/086; F21S
 8/088

See application file for complete search history.

D700,730	S	*	3/2014	Behar	D26/69
D732,222	S	*	6/2015	Recker	D26/68
D759,002	S	*	6/2016	Won	D14/239
D778,481	S	*	2/2017	Galloppa	D26/68
D797,343	S	*	9/2017	Torres Torres	D26/68
D804,697	S	*	12/2017	Tang	D26/63
D815,329	S	*	4/2018	Carraher	D26/69
D816,255	S	*	4/2018	Torres Torres	D26/71
2014/0239717	A1	*	8/2014	Prommel	H02J 7/355 307/18
2015/0145698	A1	*	5/2015	Werner	H05B 37/0218 340/928

(56) **References Cited**

U.S. PATENT DOCUMENTS

D279,410	S	*	6/1985	Fiorentino	D26/69
D291,603	S	*	8/1987	Ambasz	D26/61
D387,459	S	*	12/1997	Cool	D26/106
D464,018	S	*	10/2002	Anderson	D12/317
D555,281	S	*	11/2007	Quintana-Creus	D26/71
D600,847	S	*	9/2009	Wung	D26/71
D612,526	S	*	3/2010	Lundin	D26/71
D620,171	S	*	7/2010	Pauschitz	
D643,139	S	*	8/2011	Sprengers	D26/68

FOREIGN PATENT DOCUMENTS

EM	00869771	1/2008
EM	001060735	12/2008
EP	2071635	6/2009
IL	46268	6/2009
IL	47845	11/2009

* cited by examiner

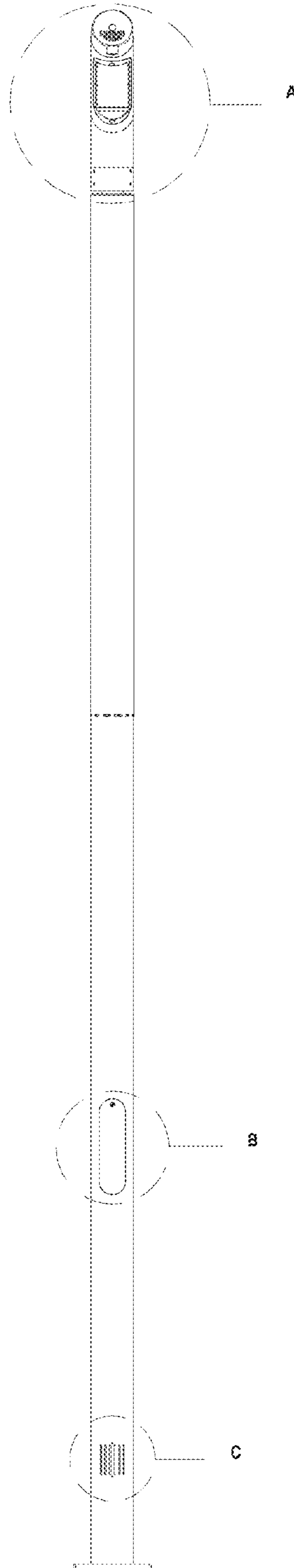


FIG.1

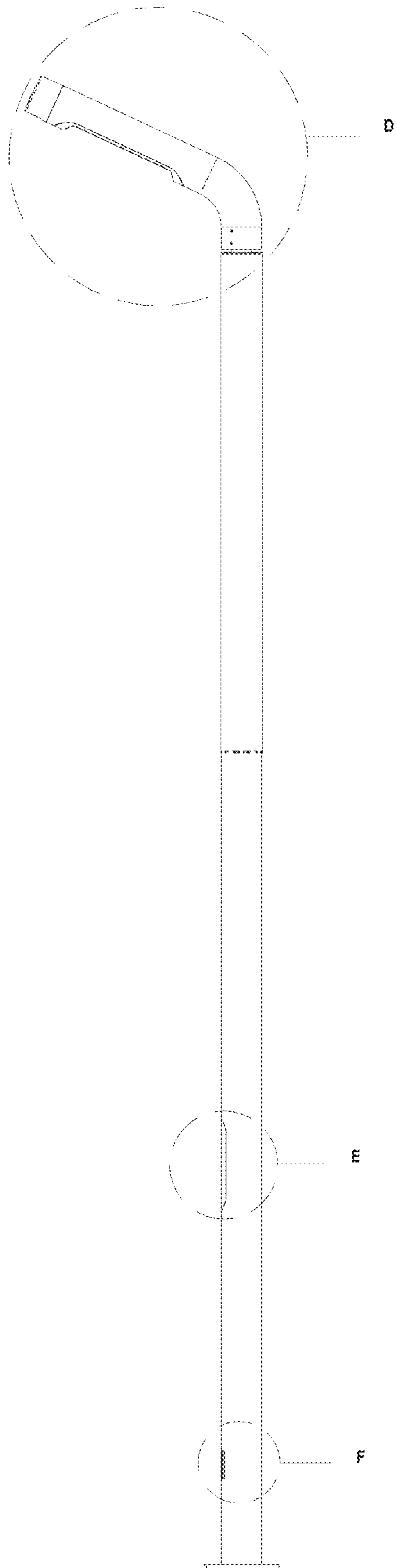


FIG.2

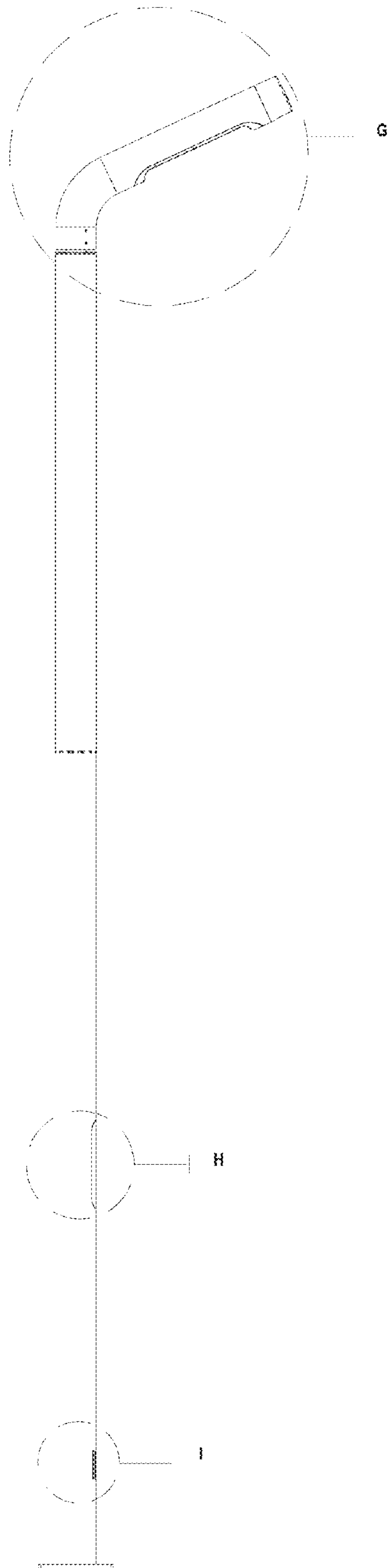


FIG.3

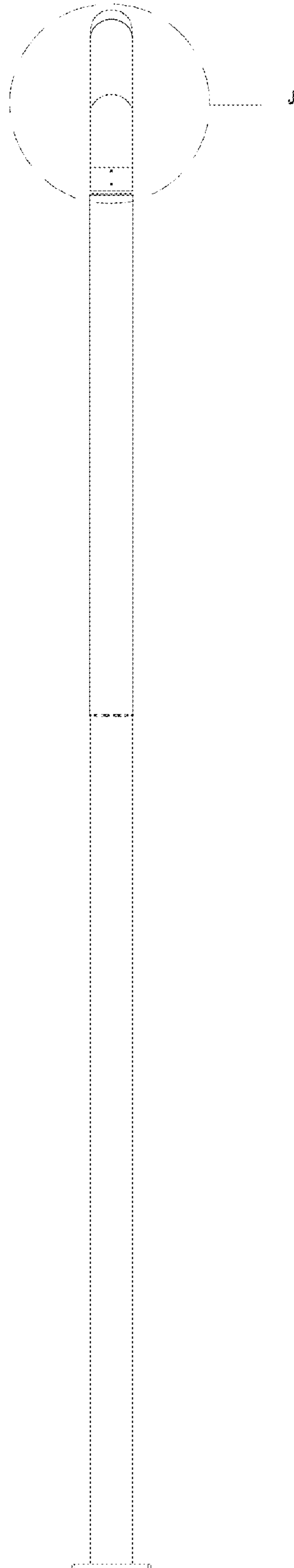


FIG.4

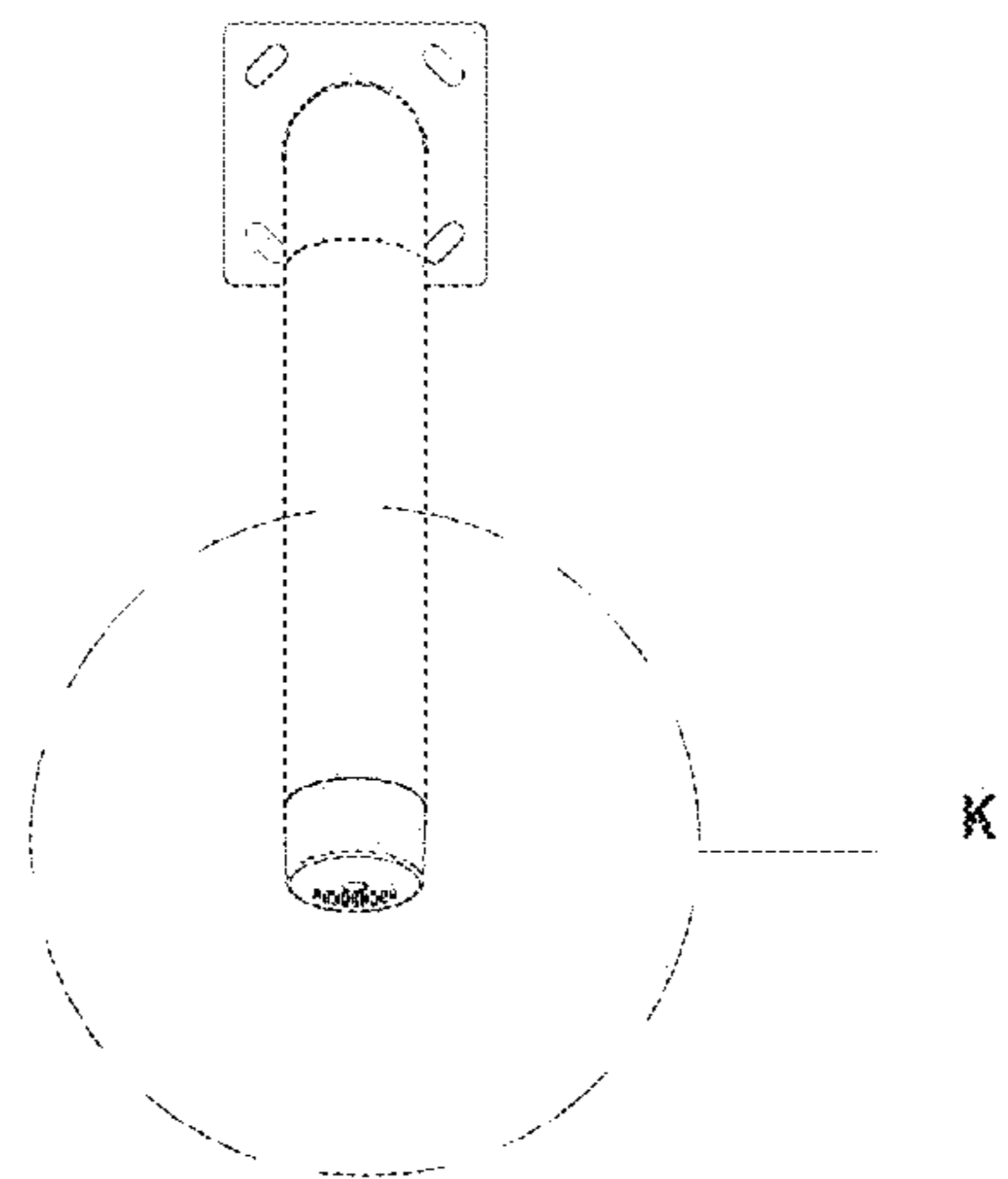


FIG.5

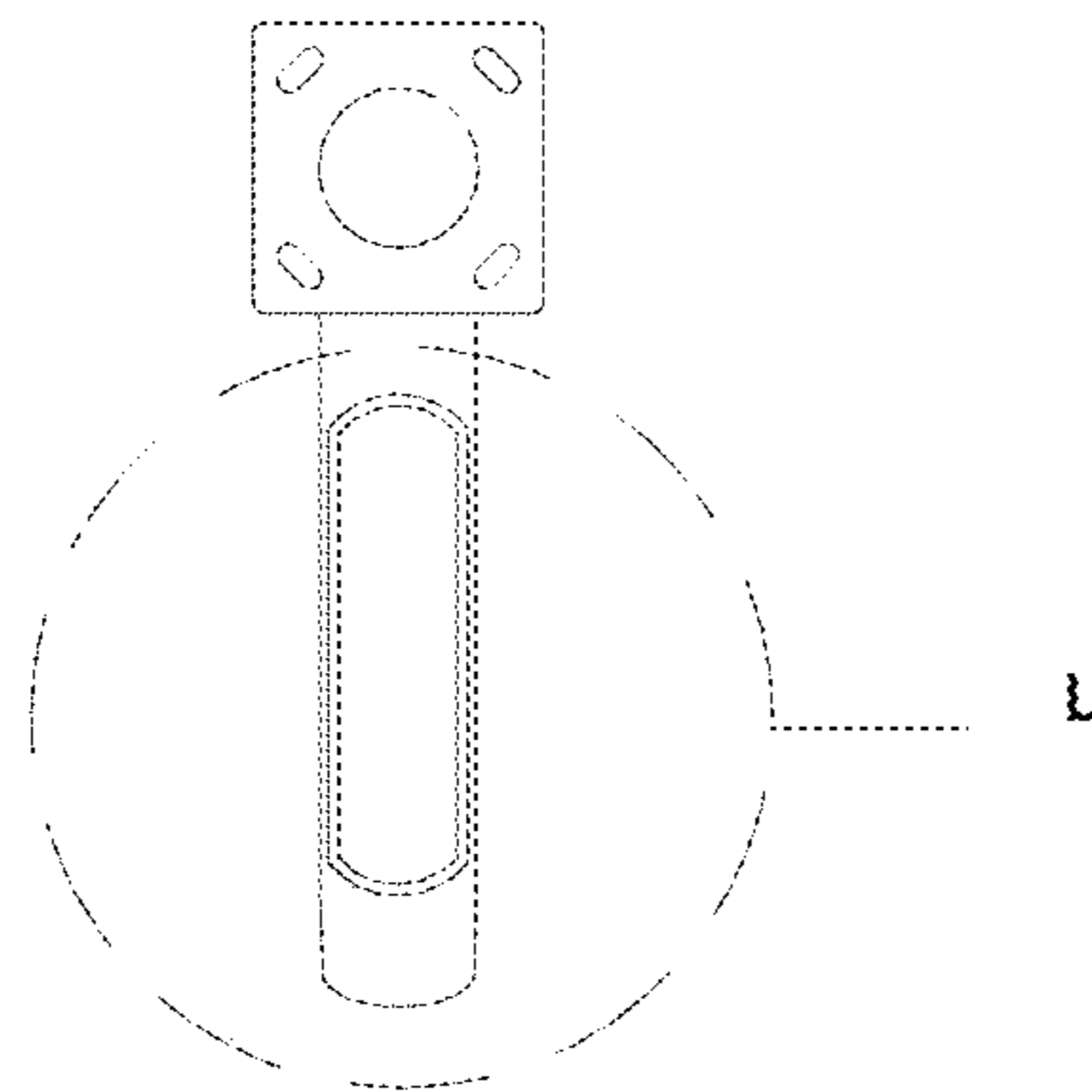


FIG.6

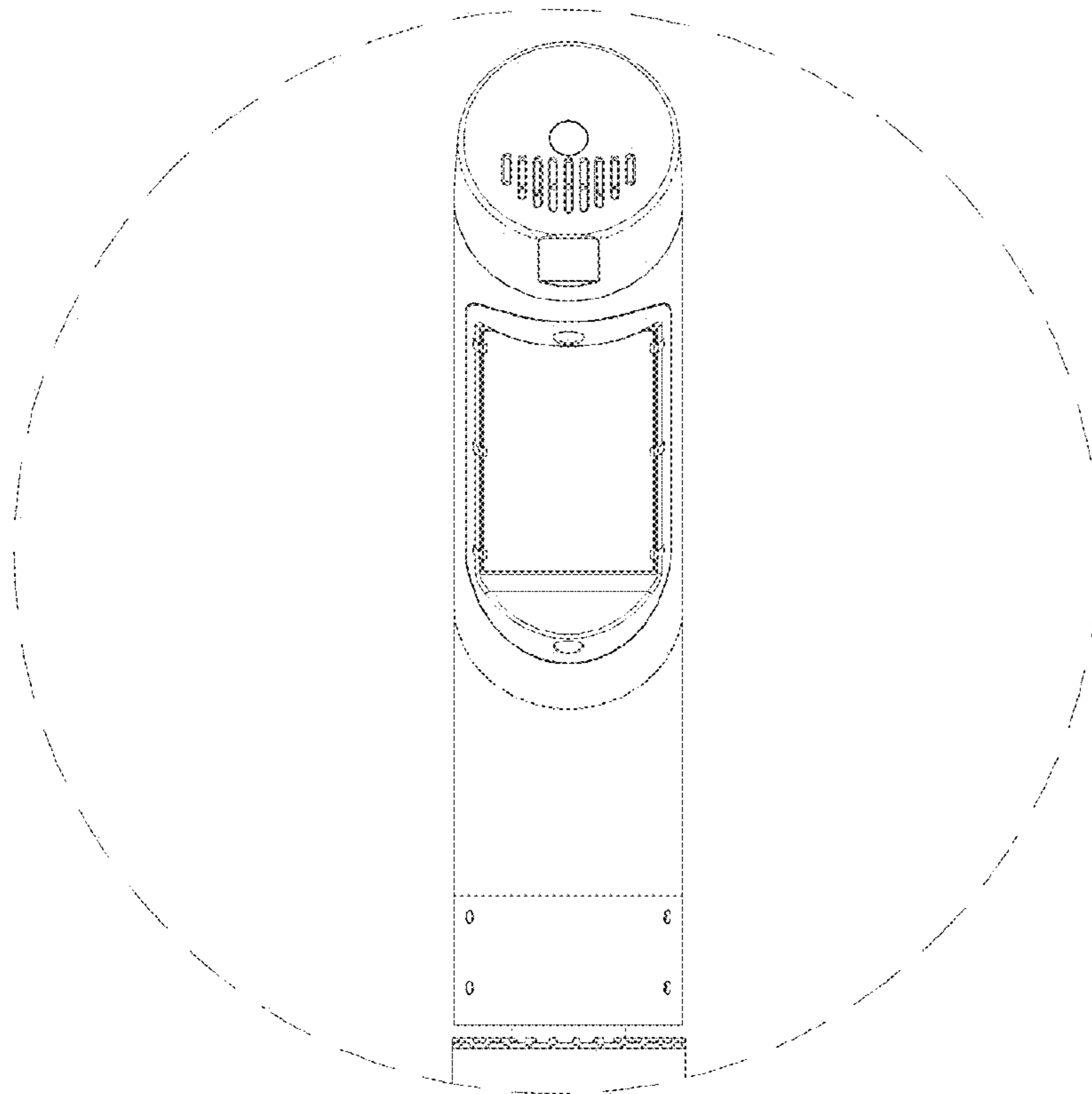


Fig.7

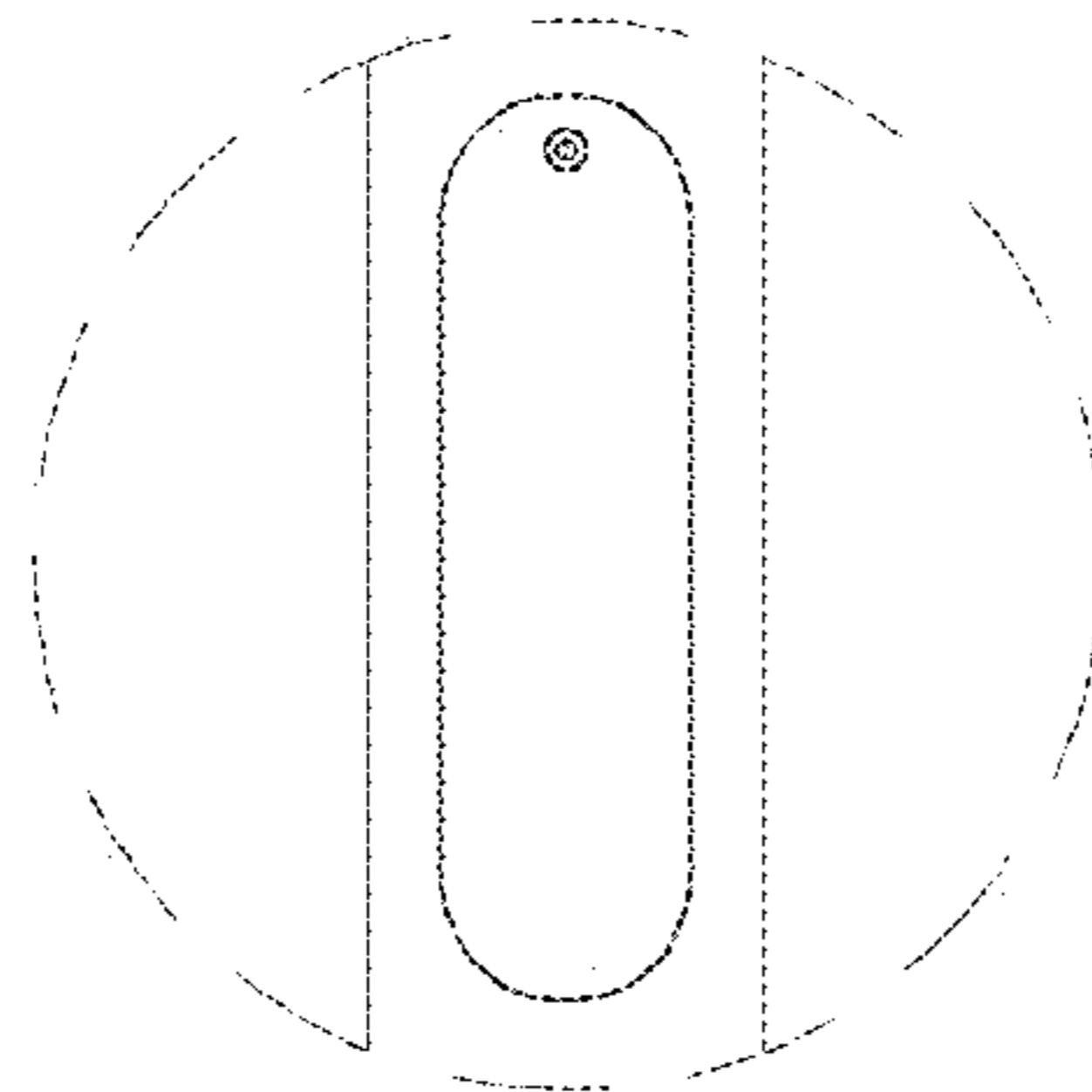


Fig.8

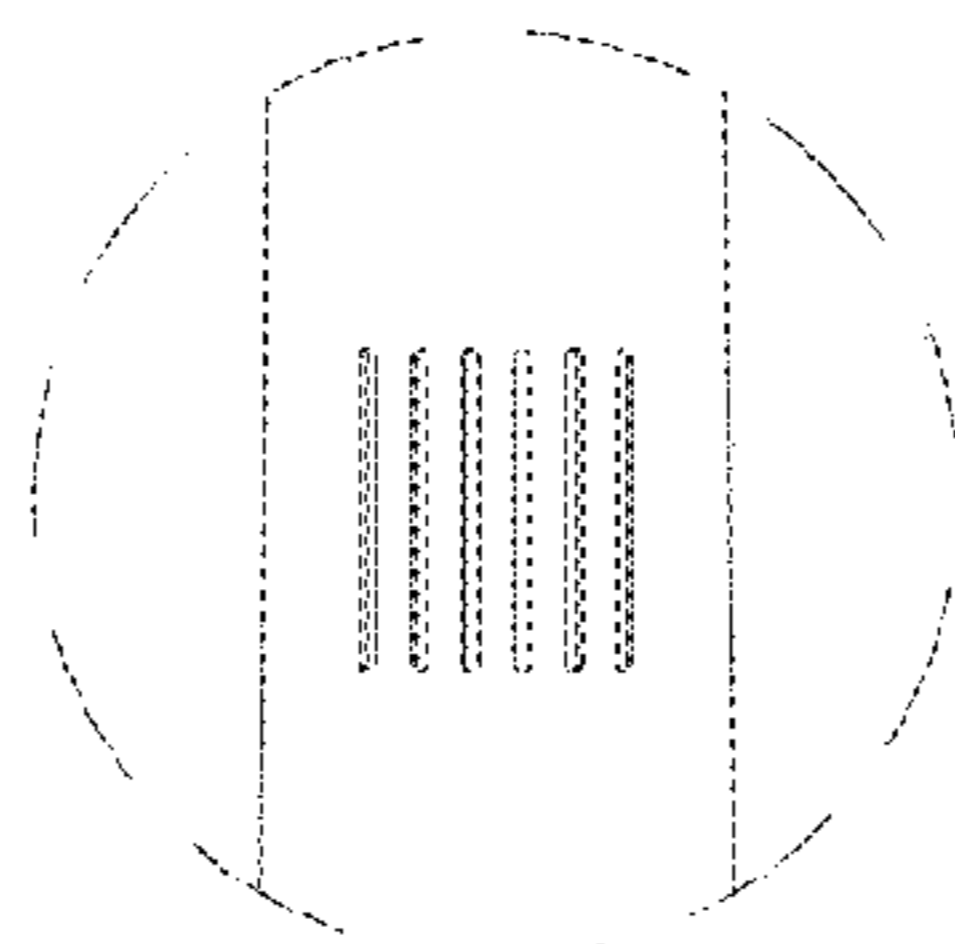


Fig.9

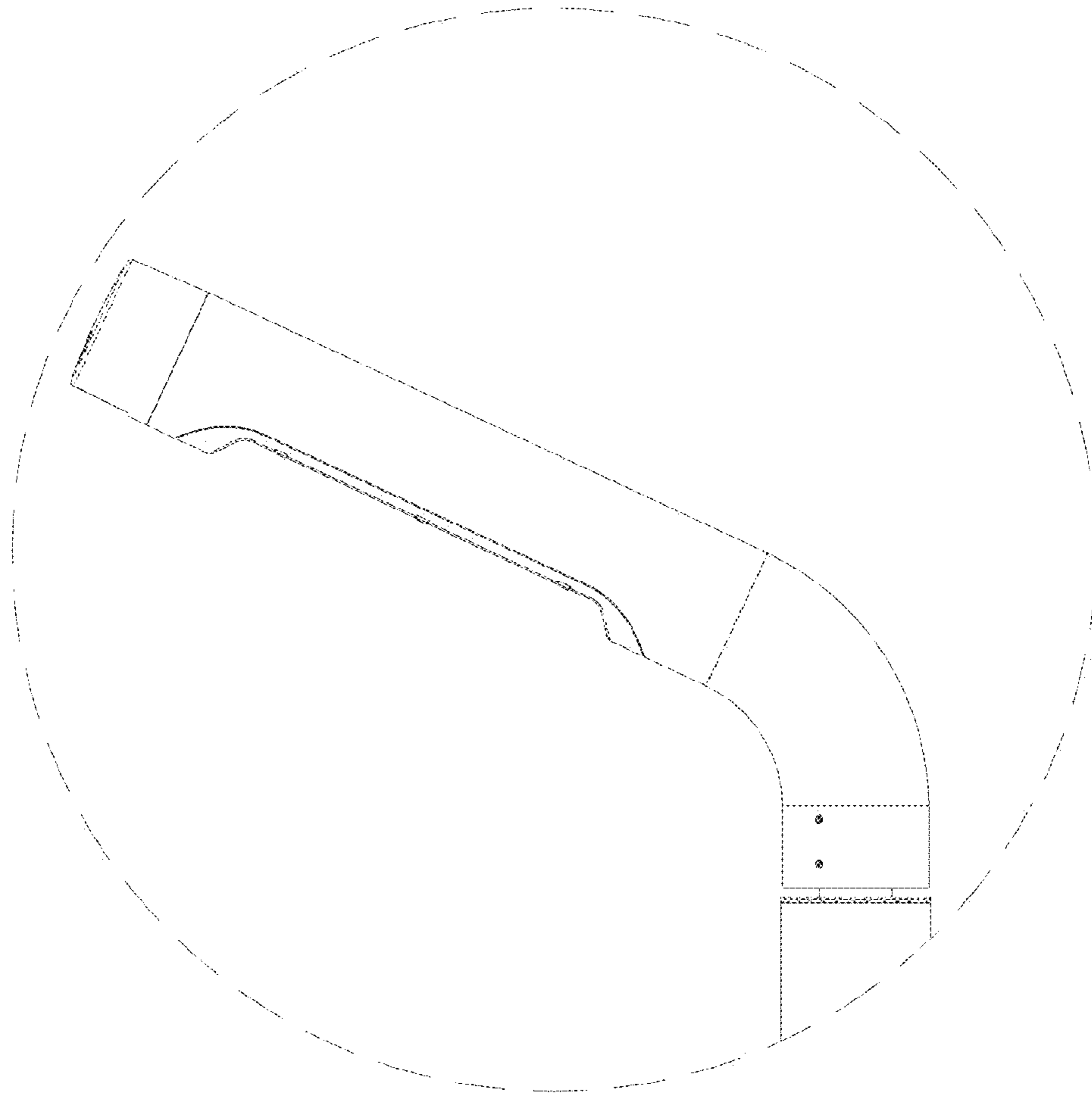


Fig.10

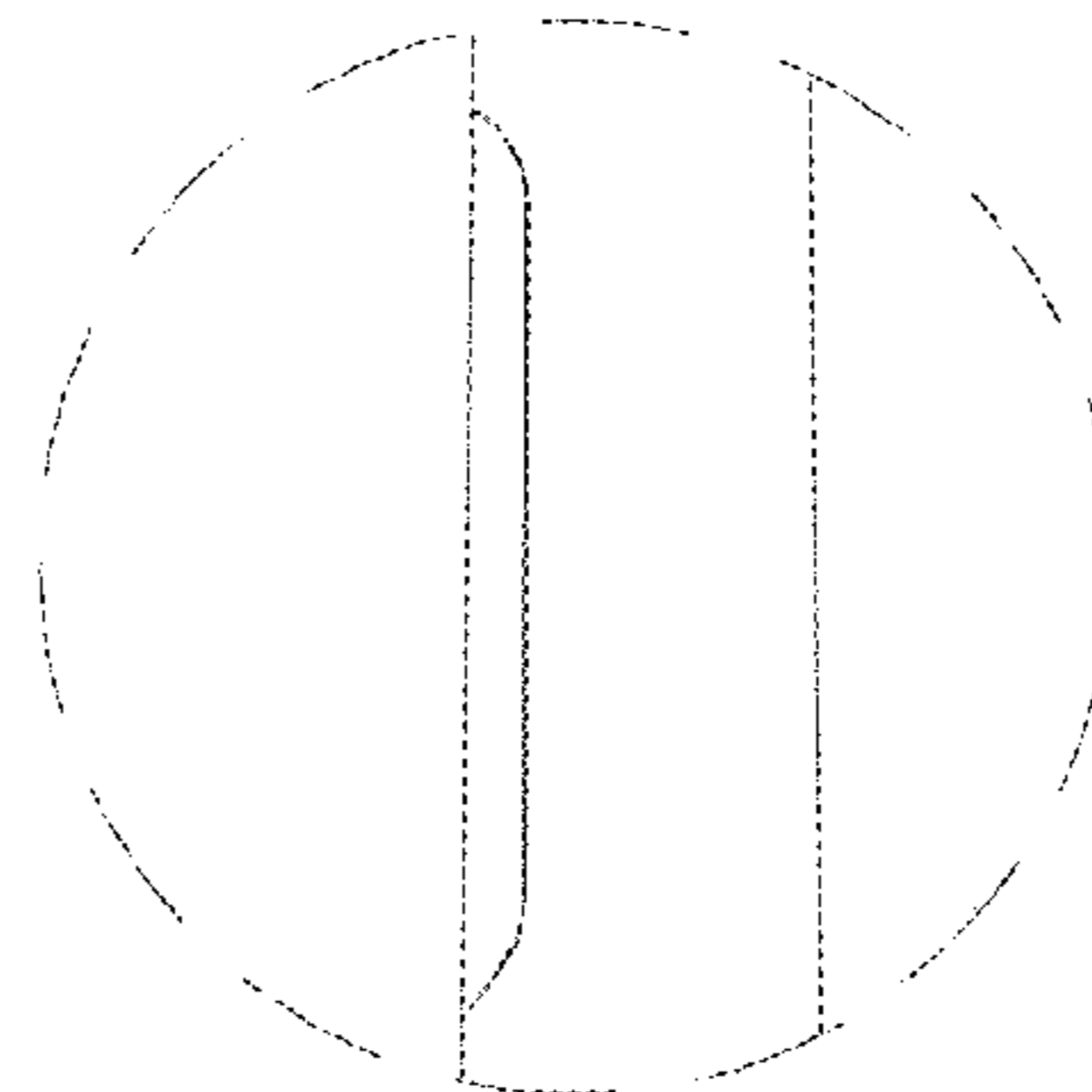


Fig.11

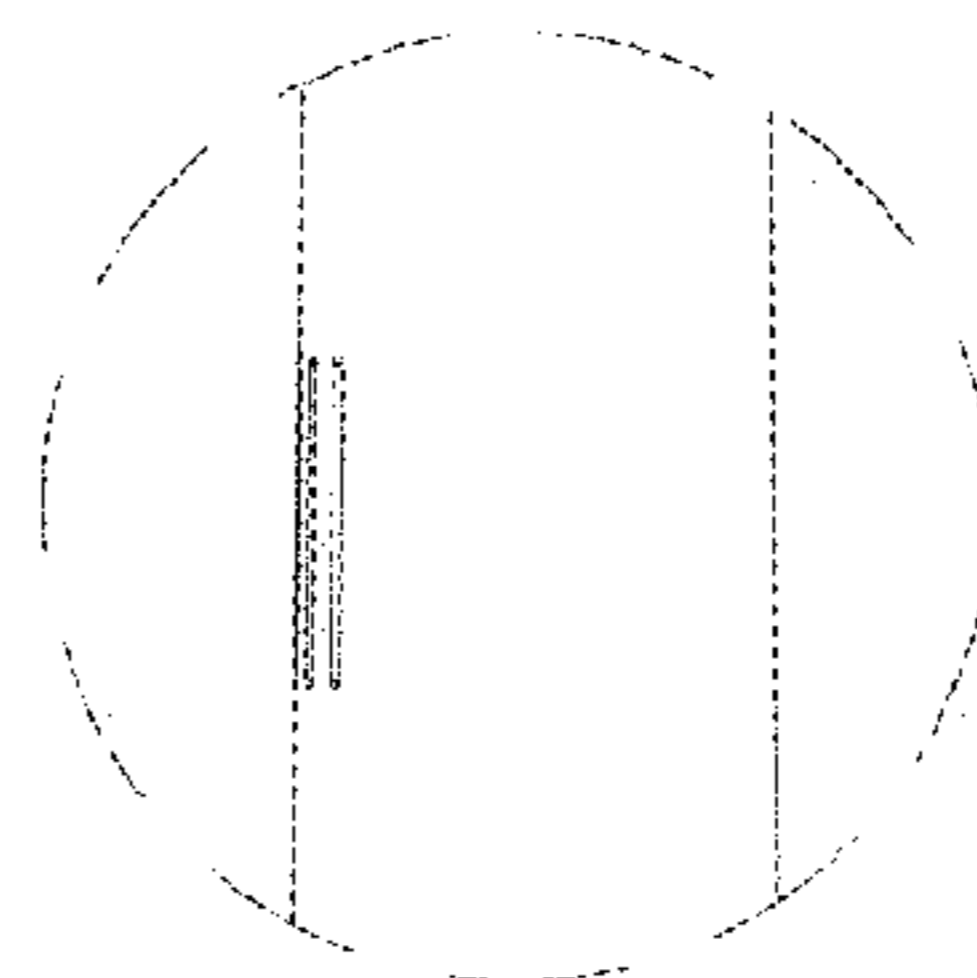


Fig.12

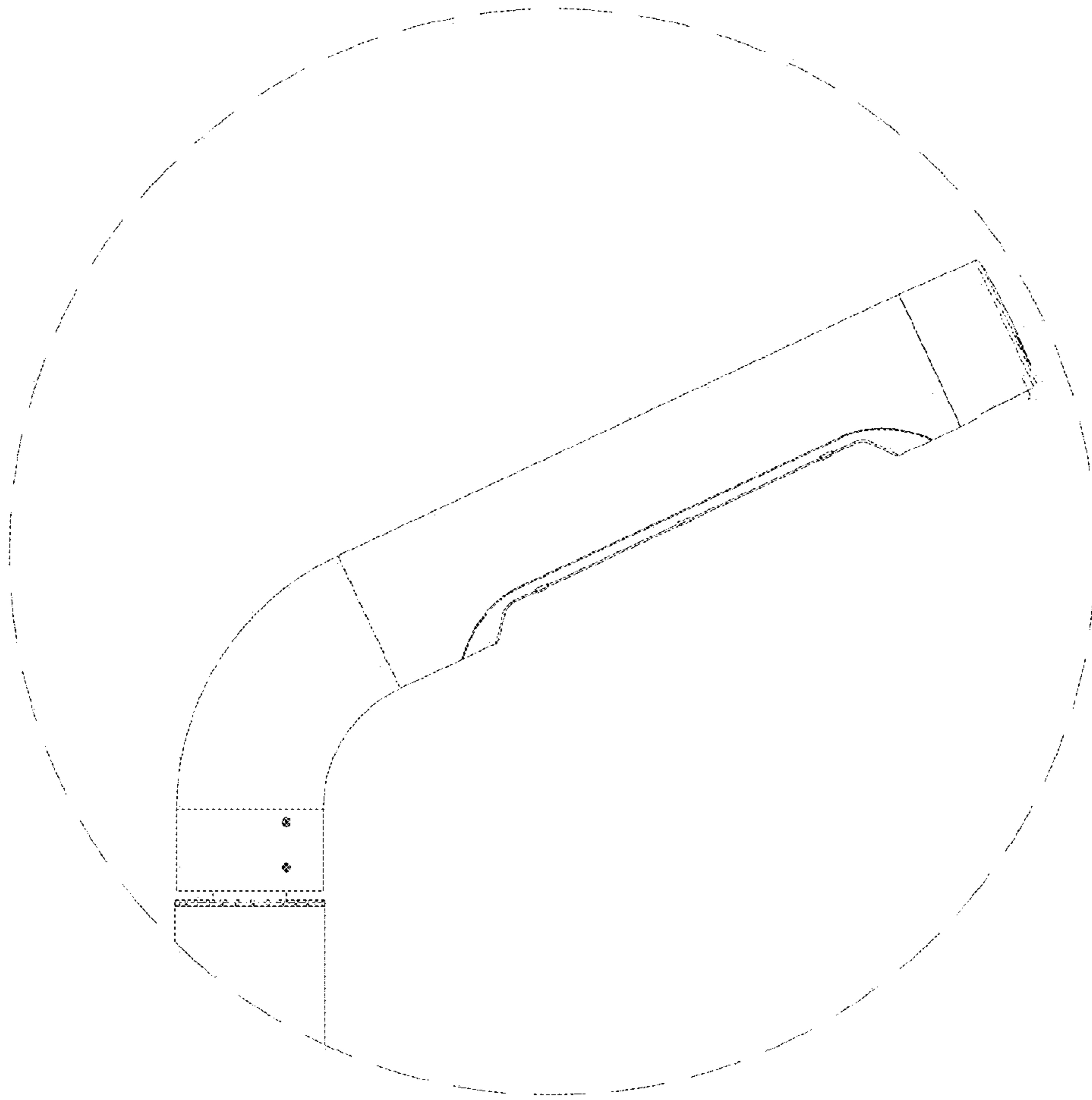


Fig.13

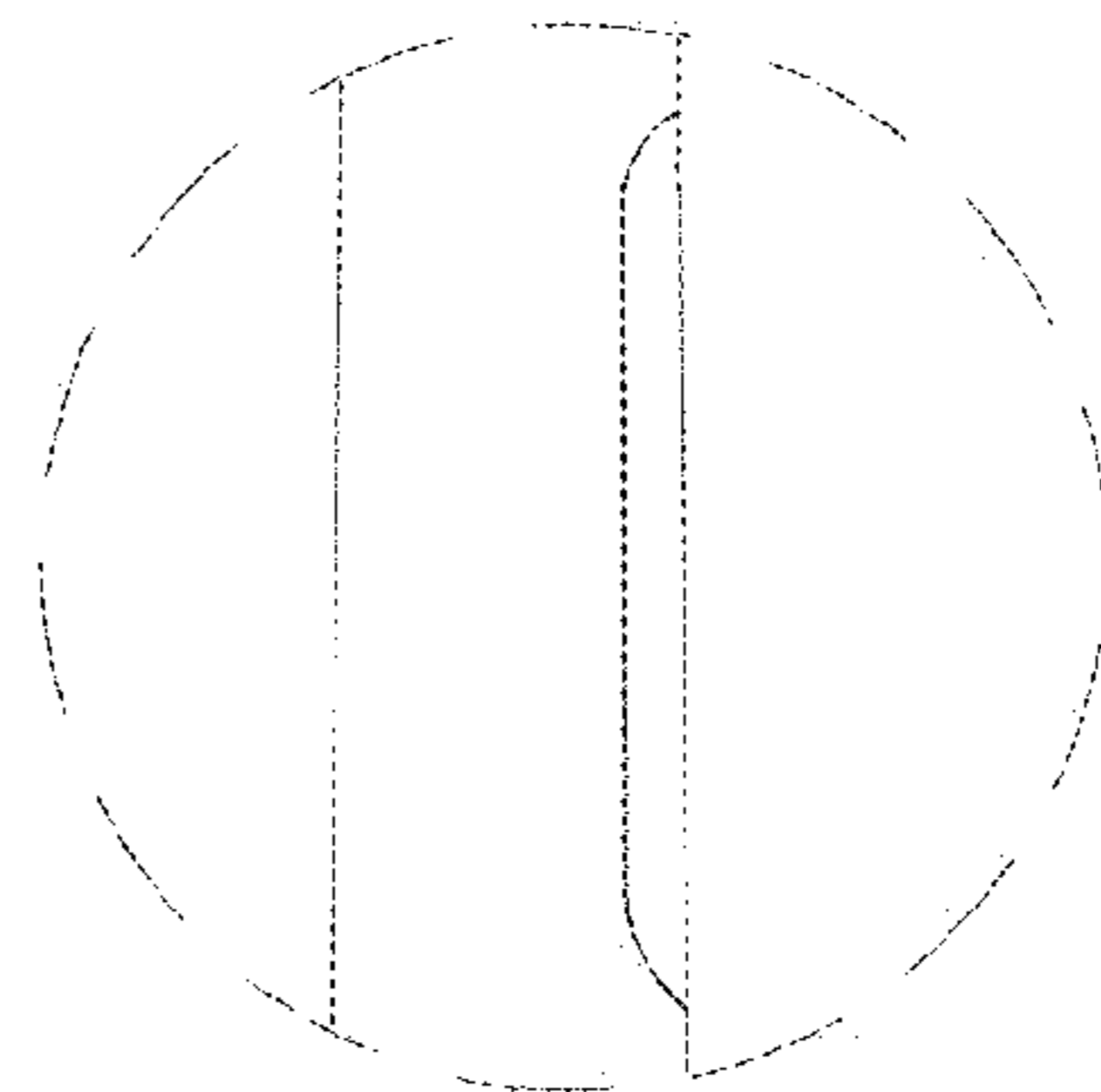


Fig.14

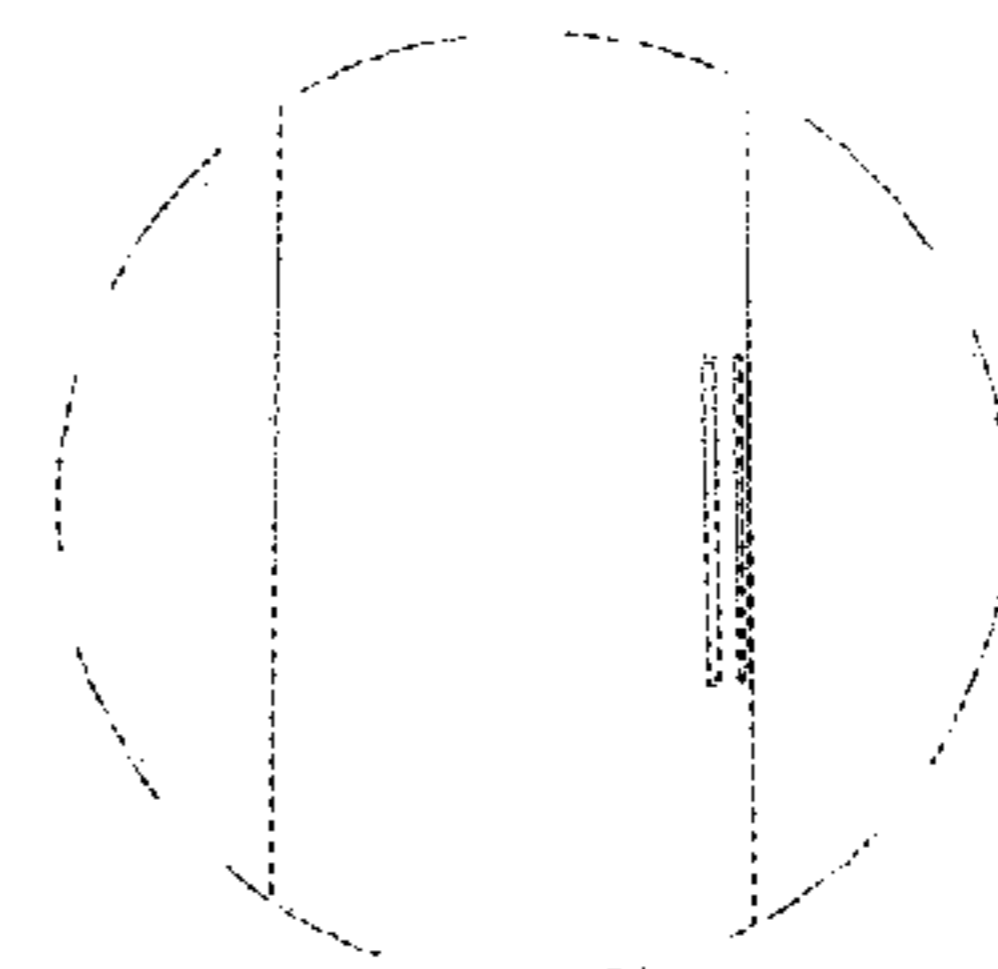


Fig.15

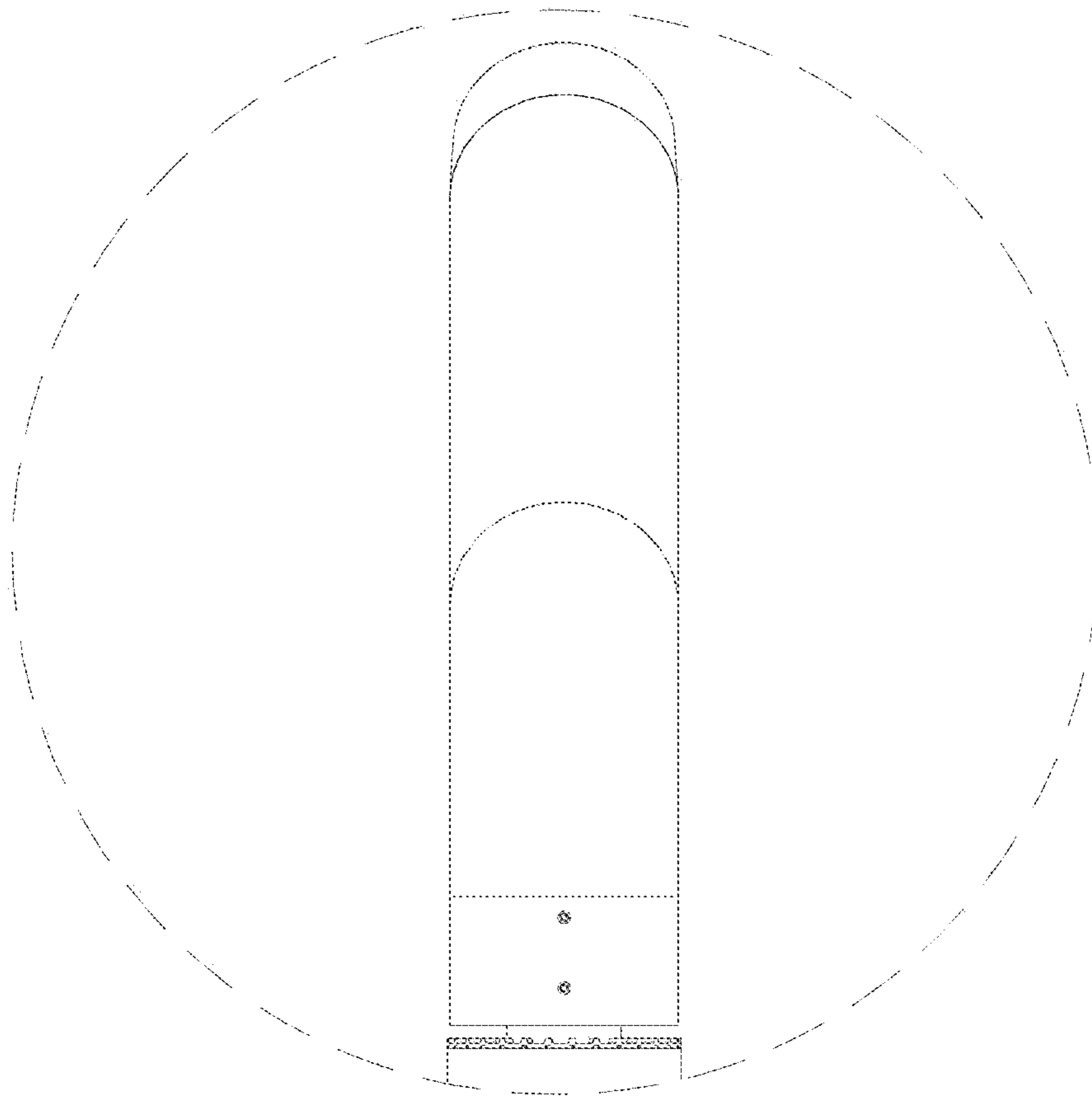


Fig.16

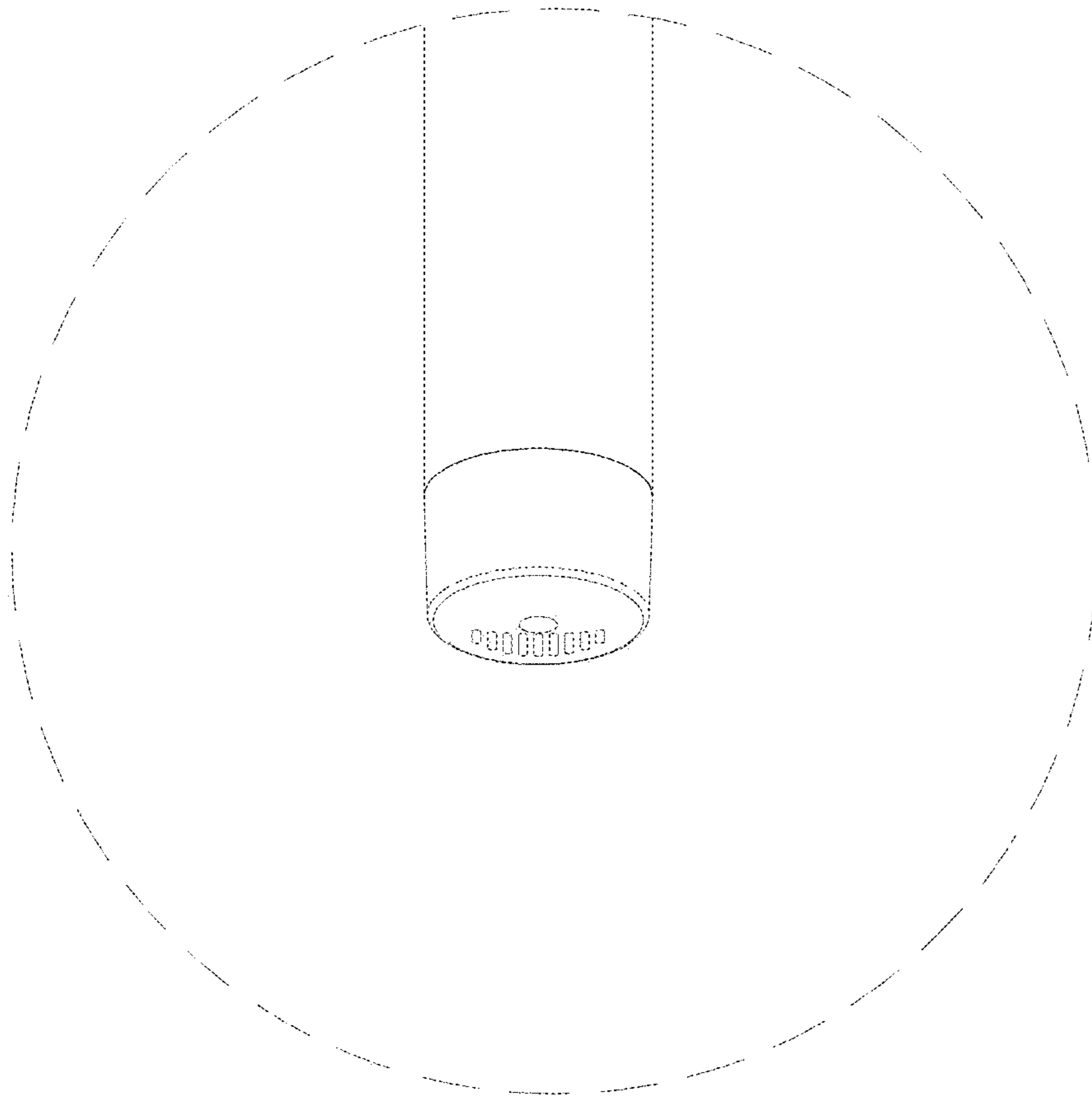


Fig.17

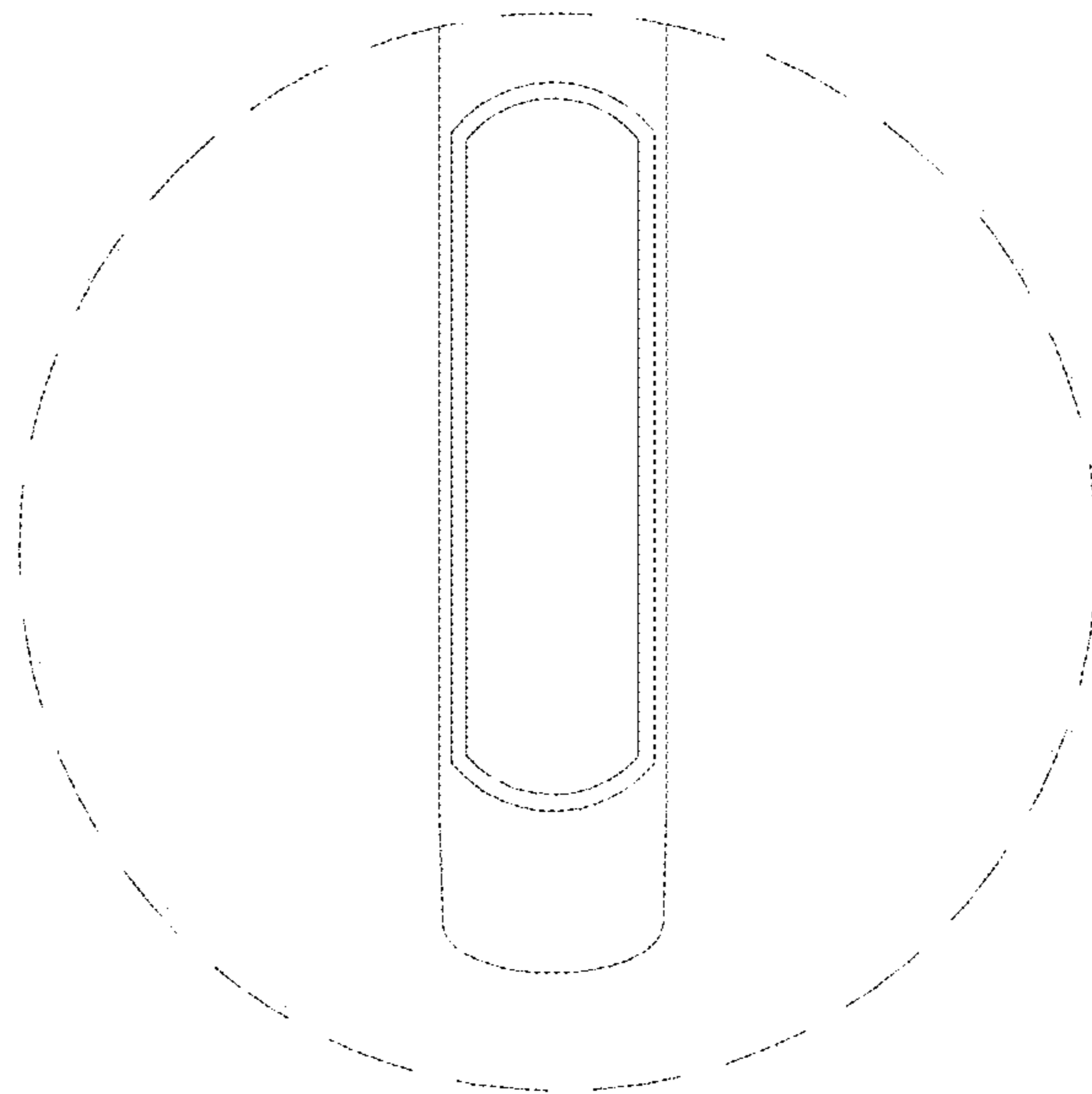


Fig.18