



US00D874703S

(12) **United States Design Patent** (10) **Patent No.:** **US D874,703 S**
Wu (45) **Date of Patent:** **** Feb. 4, 2020**

(54) **OUTDOOR LED LAMP**
(71) Applicant: **Yiping Wu**, Chongqin (CN)
(72) Inventor: **Yiping Wu**, Chongqin (CN)
(**) Term: **15 Years**
(21) Appl. No.: **29/660,842**
(22) Filed: **Aug. 23, 2018**
(51) **LOC (12) Cl.** **26-05**
(52) **U.S. Cl.**
USPC **D26/63**
(58) **Field of Classification Search**
USPC D26/24, 25, 35, 60, 61, 63, 65, 70, 72,
D26/81, 83, 92, 102, 11, 118, 124;
D16/239; D14/126
CPC F21V 21/02; F21V 21/06; F21V 21/14;
F21V 21/26; F21V 21/30; F21V 5/007;
F21V 14/00; F21V 14/02; F21V 14/04;
F21V 14/06; F21W 2131/10; F21W
2131/40; F21W 2131/107; F21W
2131/109; F21W 2131/401-407; F21W
2131/1005; F21S 8/00; F21S 8/04; F21S
8/08; F21S 8/003; F21S 8/043
See application file for complete search history.

(56) **References Cited**
U.S. PATENT DOCUMENTS
D370,070 S * 5/1996 Kay D26/63
D413,996 S * 9/1999 Andrus D26/63
D414,579 S * 9/1999 Denison D26/63
D542,959 S * 5/2007 Yao D26/63
D647,234 S * 10/2011 Izardel D26/65
D654,200 S * 2/2012 Chen D26/63
D654,605 S * 2/2012 Chen D26/63
D654,606 S * 2/2012 Chen D26/63
D773,707 S * 12/2016 Lentine D26/63
D777,965 S * 1/2017 Mirchandani D26/63

D790,100 S * 6/2017 Jadhav D26/63
D793,599 S * 8/2017 Brynjolfsson D26/63
D797,974 S * 9/2017 Liang D26/63
D797,975 S * 9/2017 Lentine D26/63
D798,484 S * 9/2017 Lentine D26/63
D799,730 S * 10/2017 Jadhav D26/63
D804,083 S * 11/2017 Lentine D26/118
D818,171 S * 5/2018 Brynjolfsson D26/63
D822,869 S * 7/2018 Akinrele D26/71
D827,175 S * 8/2018 Yang D26/63
D827,896 S * 9/2018 Yang D26/63
D827,897 S * 9/2018 Yang D26/63
D828,943 S * 9/2018 Yang D26/63
D837,430 S * 1/2019 Yang D26/63
D837,431 S * 1/2019 Peng D26/63
D838,889 S * 1/2019 Liu D26/63
D838,890 S * 1/2019 Xiong D26/63
D841,210 S * 2/2019 Ye D26/63
D849,981 S * 5/2019 Hwa D26/63
D851,312 S * 6/2019 Hwa D26/63

(Continued)

Primary Examiner — Wan Laymon
Assistant Examiner — Clint A Samuel

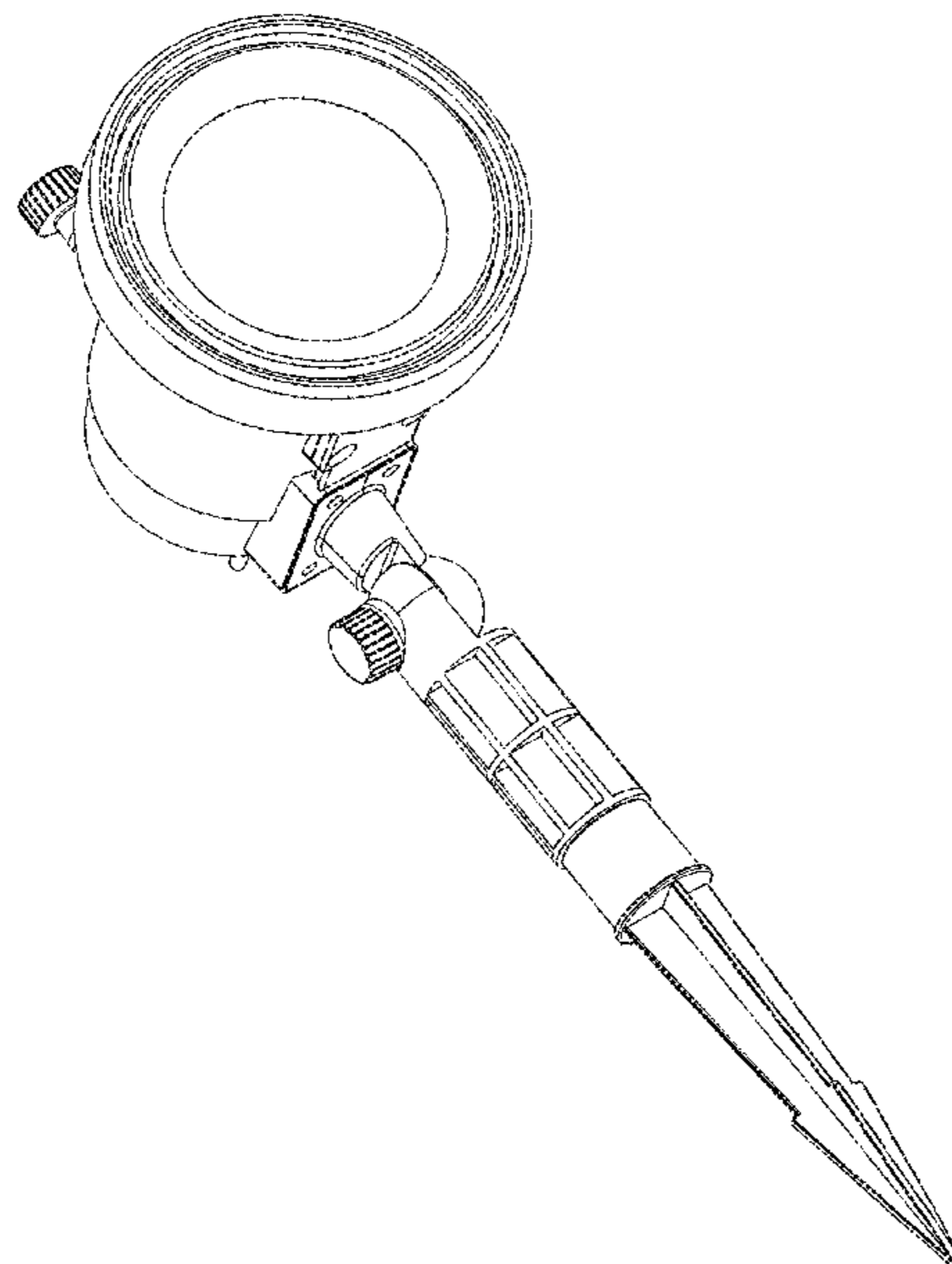
(57) **CLAIM**

The ornamental design for an outdoor LED lamp, as shown and described.

DESCRIPTION

FIG. 1 is a perspective view of an outdoor LED lamp showing my new design;
FIG. 2 is another perspective view thereof;
FIG. 3 is a front elevational view thereof;
FIG. 4 is a rear elevational view thereof;
FIG. 5 is a left side view thereof;
FIG. 6 is a right side view thereof;
FIG. 7 is an enlarged top plan view thereof; and,
FIG. 8 is an enlarged bottom plan view thereof.
The broken lines in the drawings illustrate portions of the outdoor LED lamp that form no part of the claimed design.

1 Claim, 8 Drawing Sheets



(56)

References Cited

U.S. PATENT DOCUMENTS

D853,612 S * 7/2019 Zhu D26/63
D859,718 S * 9/2019 Groat D26/63
2018/0328575 A1* 11/2018 Khubani F21V 14/00

* cited by examiner

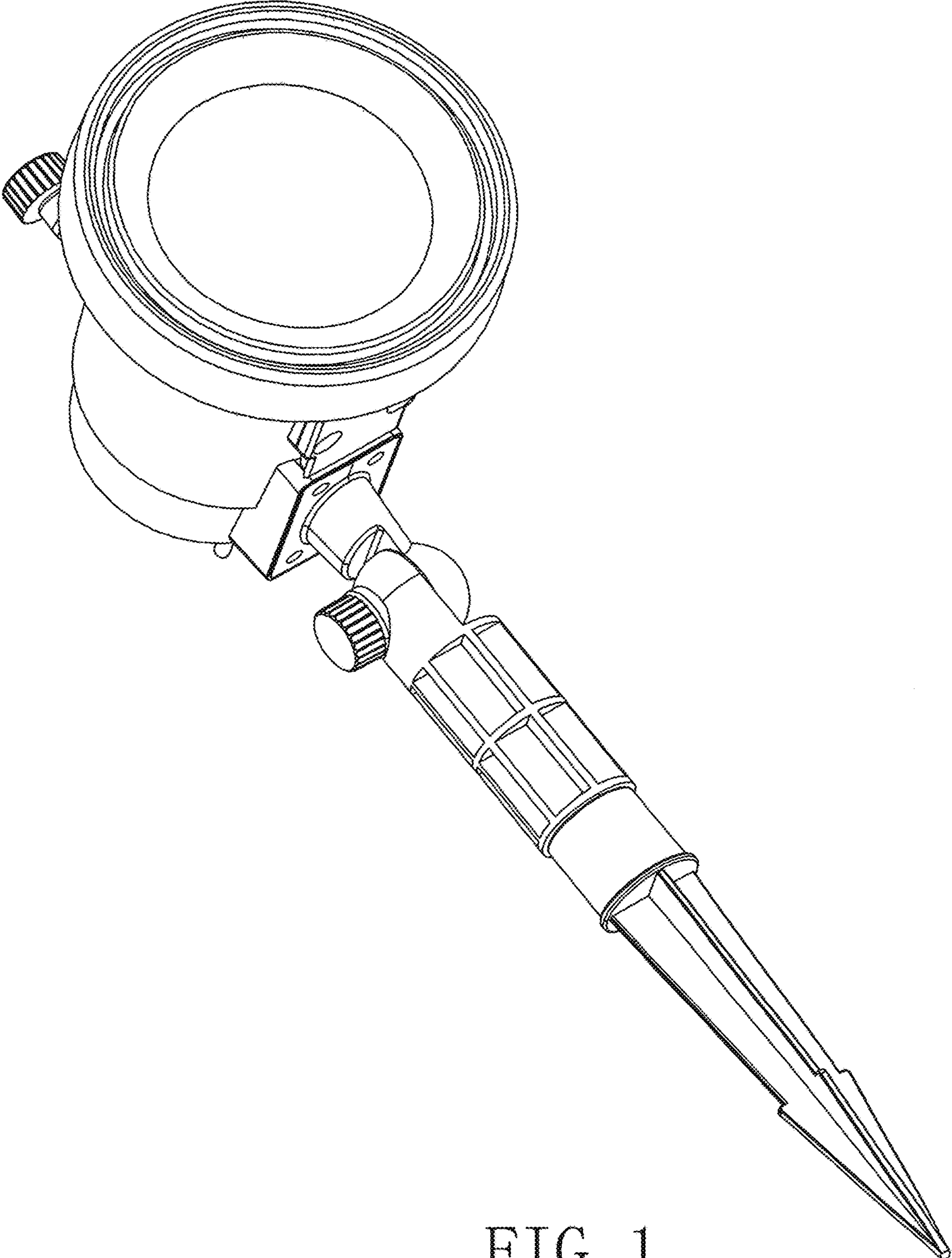


FIG. 1

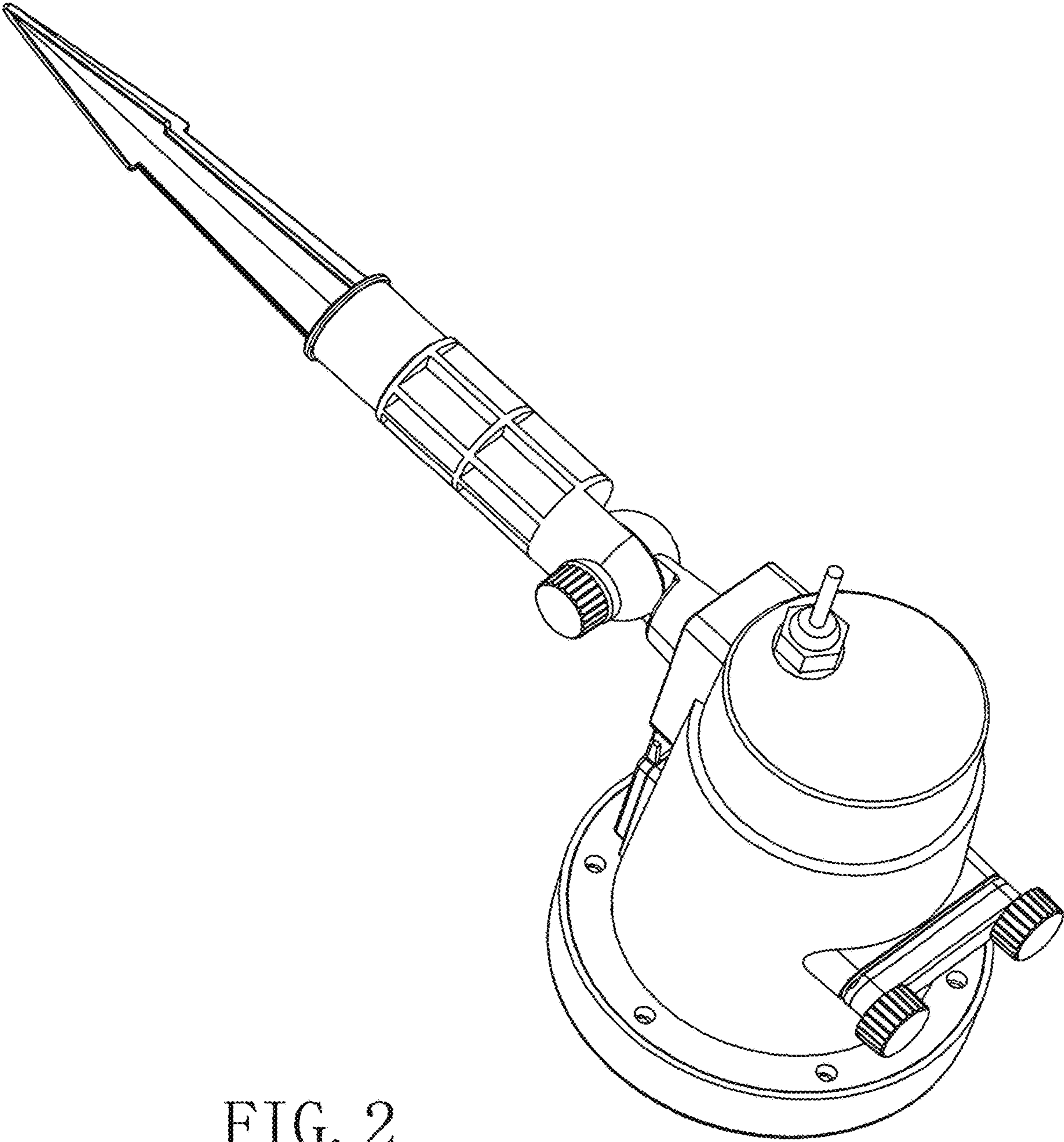


FIG. 2

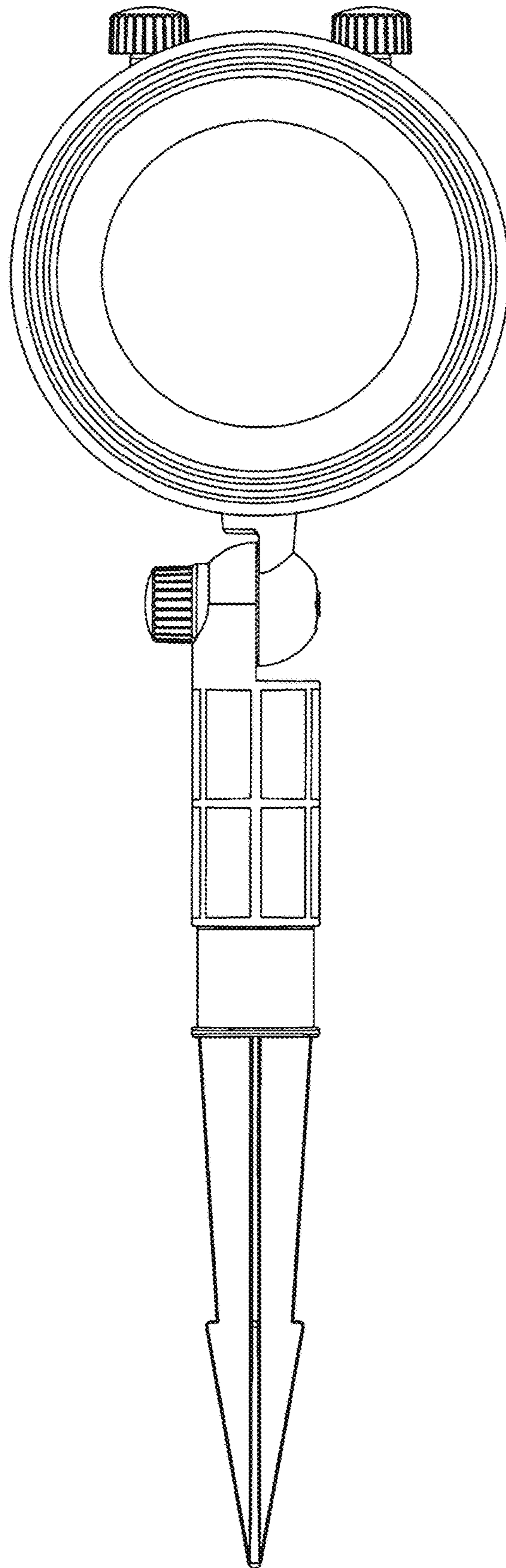


FIG. 3

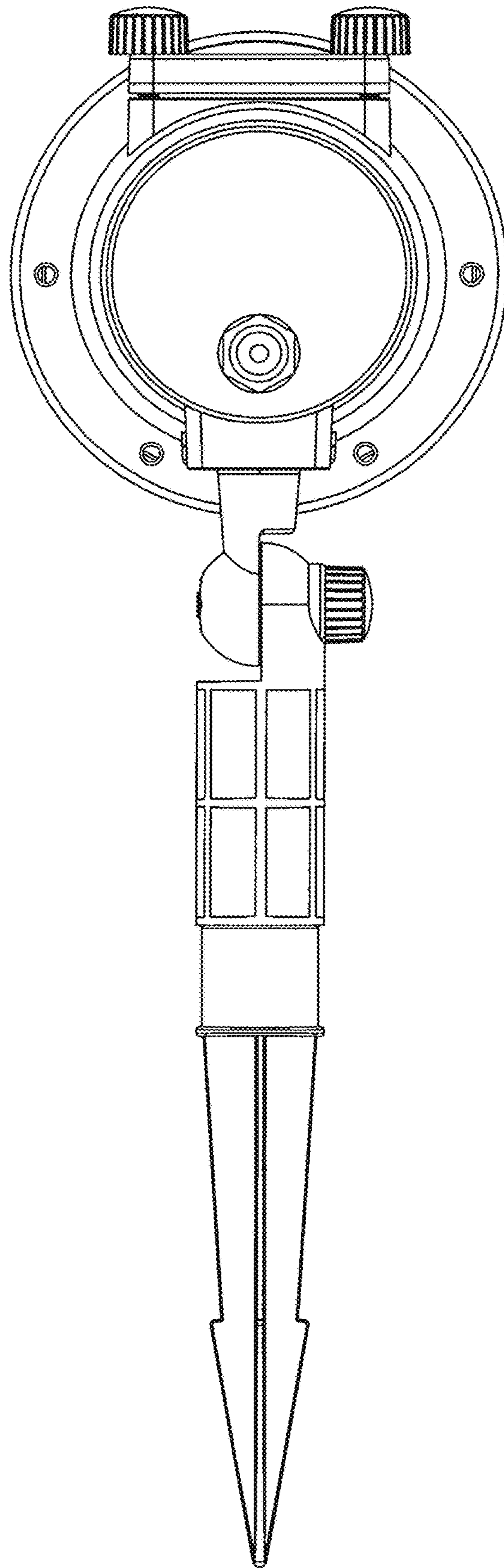


FIG. 4

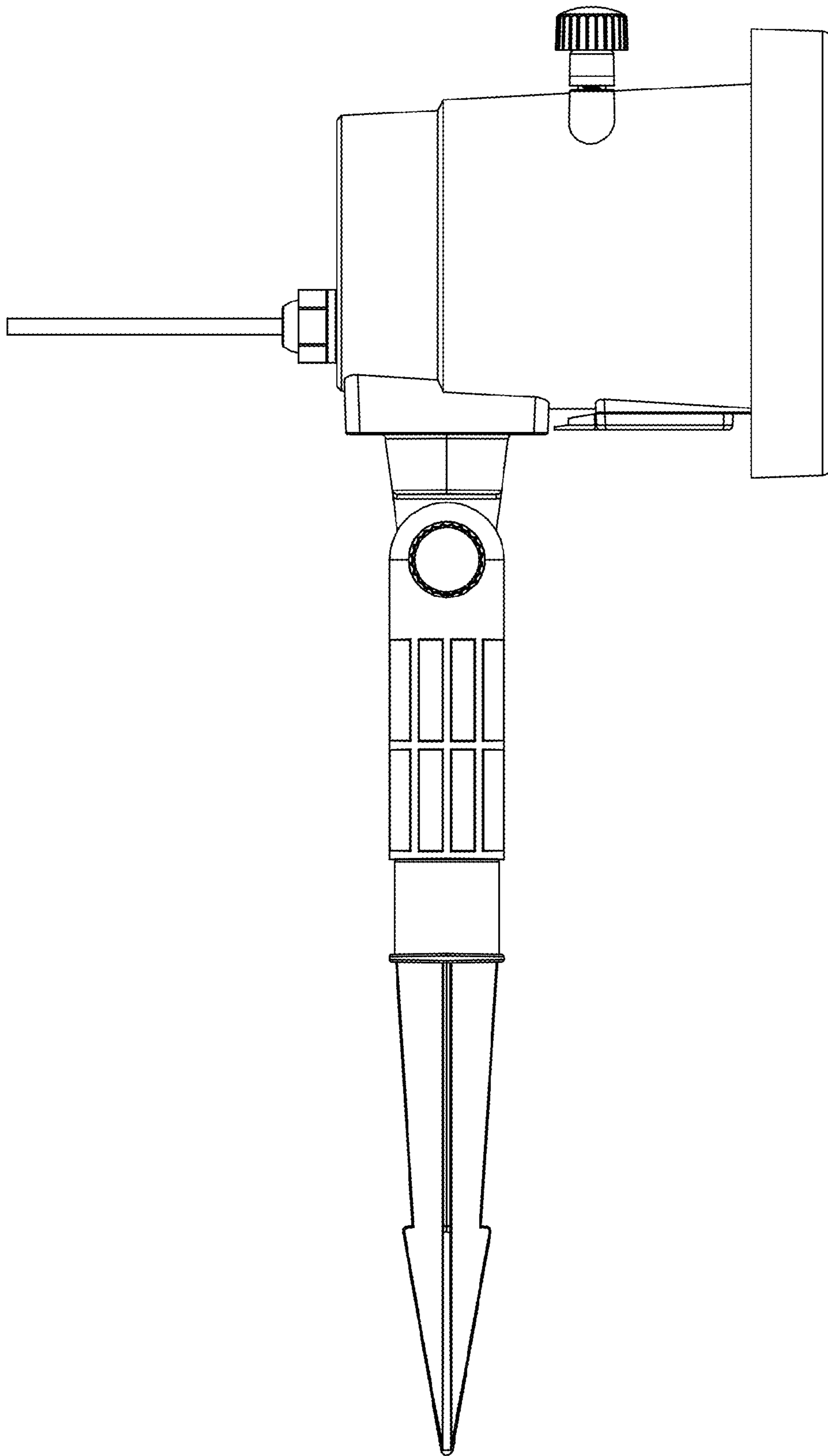


FIG. 5

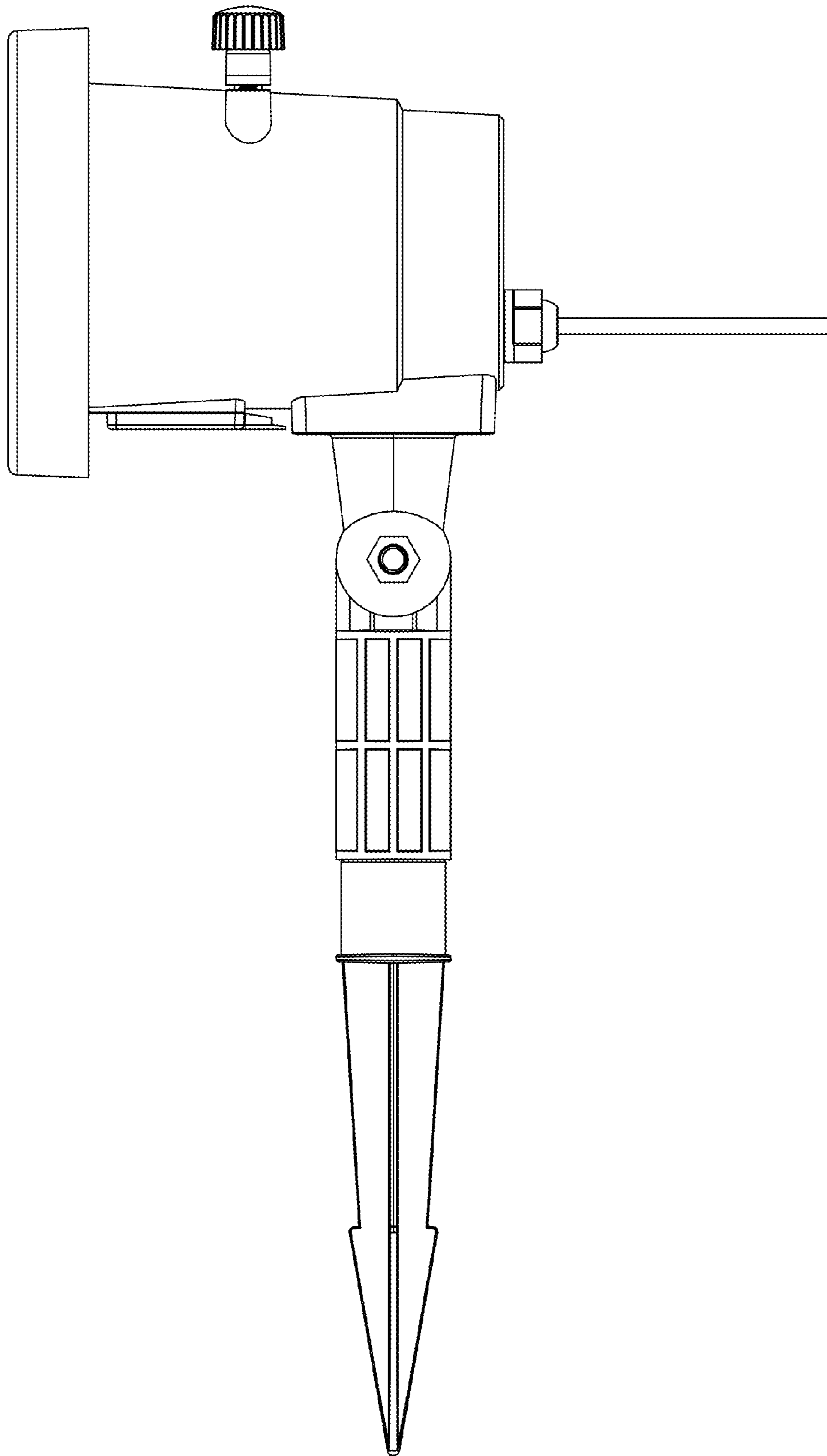


FIG. 6

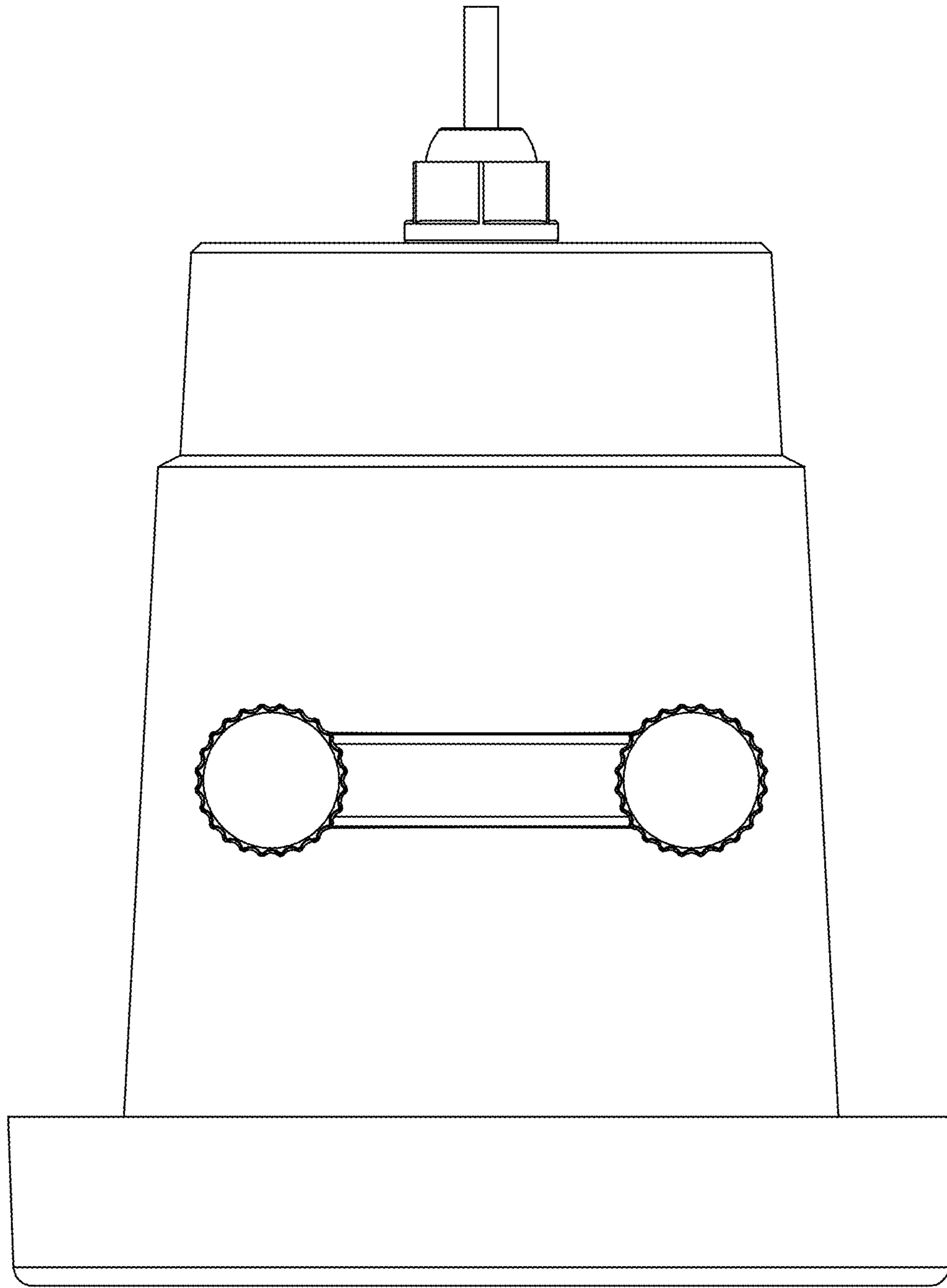


FIG. 7

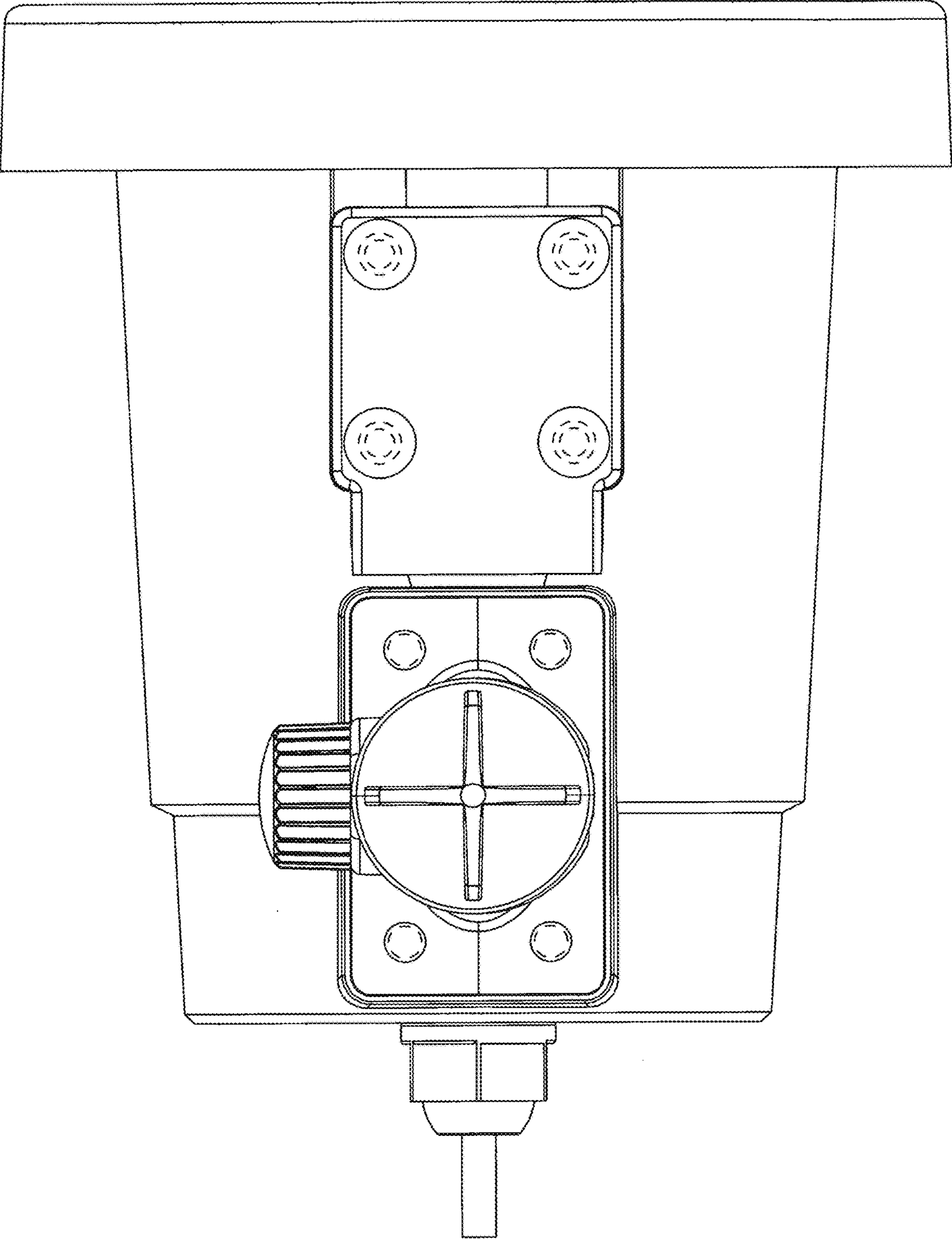


FIG. 8