



US00D874702S

(12) **United States Design Patent**
Huang et al.

(10) **Patent No.:** **US D874,702 S**

(45) **Date of Patent:** **** *Feb. 4, 2020**

(54) **LED LUMINAIRE**

(71) Applicant: **HANGZHOU HPWINNER OPTO CORPORATION**, Hangzhou, Zhejiang Province (CN)

(72) Inventors: **Jianming Huang**, Hangzhou (CN); **Kai Chen**, Hangzhou (CN)

(73) Assignee: **HANGZHOU HPWINNER OPTO CORPORATION**, Hangzhou, Zhejiang Province (CN)

(*) Notice: This patent is subject to a terminal disclaimer.

(**) Term: **15 Years**

(21) Appl. No.: **29/646,477**

(22) Filed: **May 4, 2018**

(30) **Foreign Application Priority Data**

Mar. 15, 2018 (CN) 2018 3 0096348

(51) **LOC (12) Cl.** **26-03**

(52) **U.S. Cl.**
USPC **D26/63**

(58) **Field of Classification Search**
USPC D26/24, 60-66, 72, 76-78, 80, 81, 83,
D26/85-87, 92, 102, 113, 138, 142
CPC F21L 4/00; F21S 2/00; F21S 2/04; F21V
1/00; F21V 3/02; F21V 5/04; F21V
15/01; F21V 19/00; F21V 21/00; F21V
21/06

See application file for complete search history.

(56) **References Cited**

U.S. PATENT DOCUMENTS

D596,777 S * 7/2009 Gordin D26/63
D611,635 S * 3/2010 Gordin D26/63
D645,594 S * 9/2011 Grawe D26/63

D650,505 S * 12/2011 Oka D26/63
D689,234 S * 9/2013 Zhang D26/72
D690,857 S * 10/2013 Blincoe D26/63
D712,581 S * 9/2014 Scarlata D26/65
D713,983 S * 9/2014 Yang D26/63
D776,320 S * 1/2017 Bobel D26/63
D782,718 S * 3/2017 Ko D26/63
10,240,757 B1 * 3/2019 Li F21V 19/02
2013/0027917 A1 * 1/2013 Luo F21V 25/12
362/157
2015/0198310 A1 * 7/2015 Scarlata F21V 29/507
362/249.01
2019/0056076 A1 * 2/2019 Thomas F21V 15/01
2019/0101273 A1 * 4/2019 Kuenzler F21S 10/023

* cited by examiner

Primary Examiner — Angela J Lee

Assistant Examiner — Shawn T Gingrich

(74) *Attorney, Agent, or Firm* — Muncy, Geissler, Olds & Lowe, P.C.

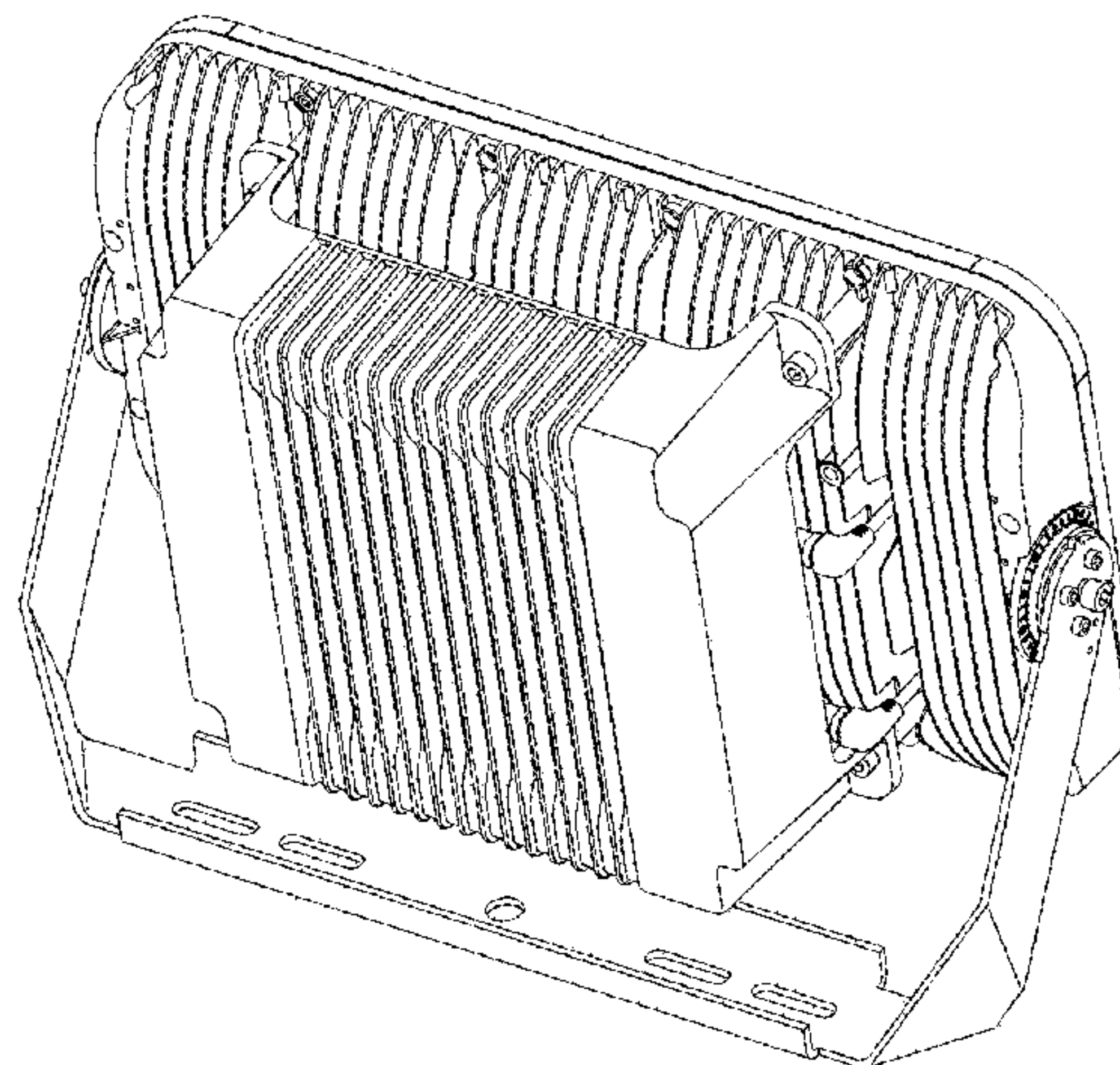
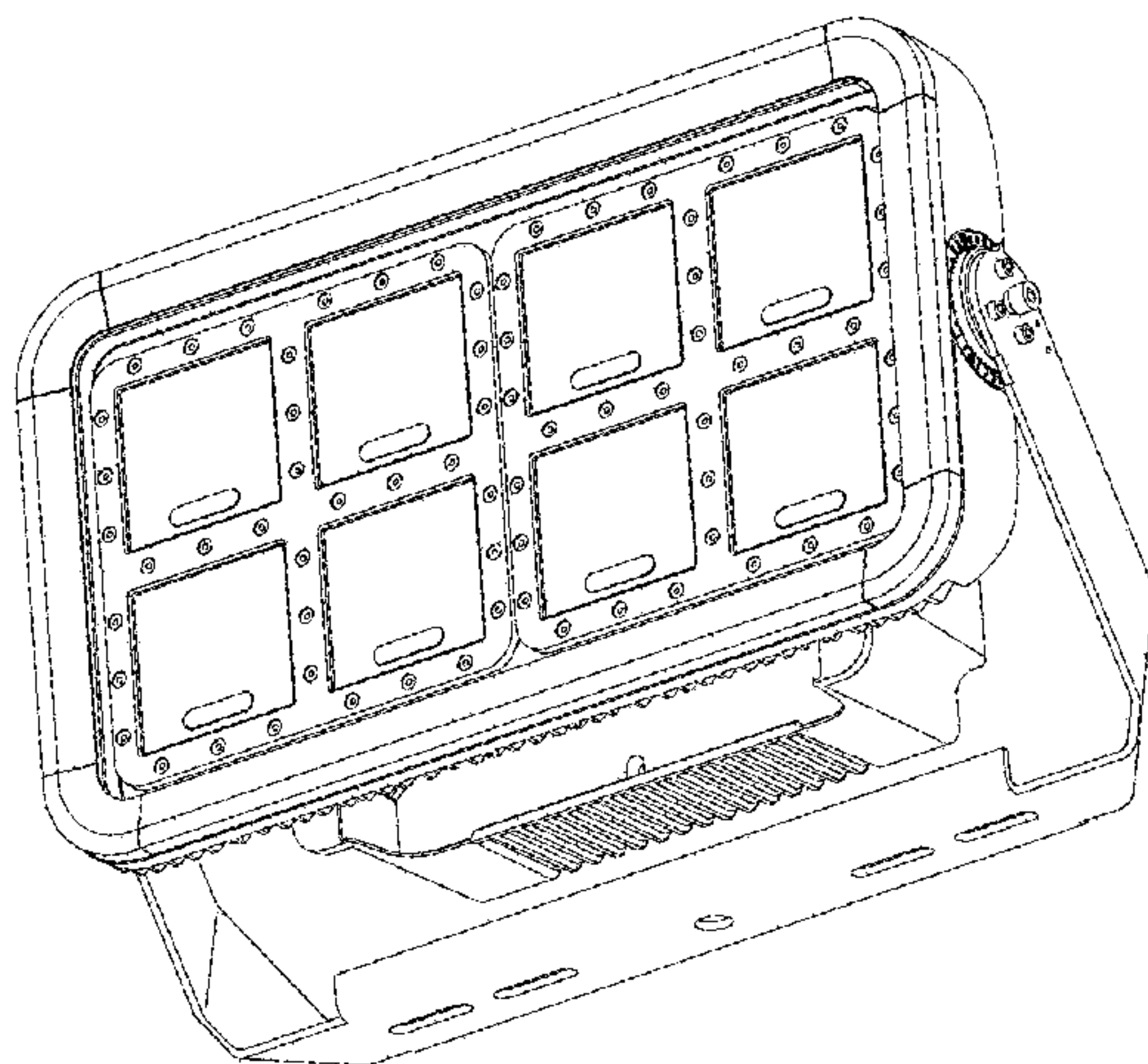
(57) **CLAIM**

The ornamental design for a LED luminaire, as shown and described.

DESCRIPTION

FIG. 1 is a front perspective view of a LED luminaire showing our new design;
FIG. 2 is a rear perspective view thereof;
FIG. 3 is a front elevational view thereof;
FIG. 4 is a rear elevational view thereof;
FIG. 5 is a right side elevational view thereof;
FIG. 6 is a left side elevational view thereof;
FIG. 7 is a top plan view thereof;
FIG. 8 is a bottom plan view thereof; and,
FIG. 9 is an enlarged view of section 9 from FIG. 6.
The broken lines on FIG. 6 labeled as “9” are included to indicate the point at which the enlarged view of FIG. 9 is cut off and form no part of the claimed design.
All other broken lines in the drawings illustrate portions of the LED luminaire that form no part of the claimed design.

1 Claim, 9 Drawing Sheets



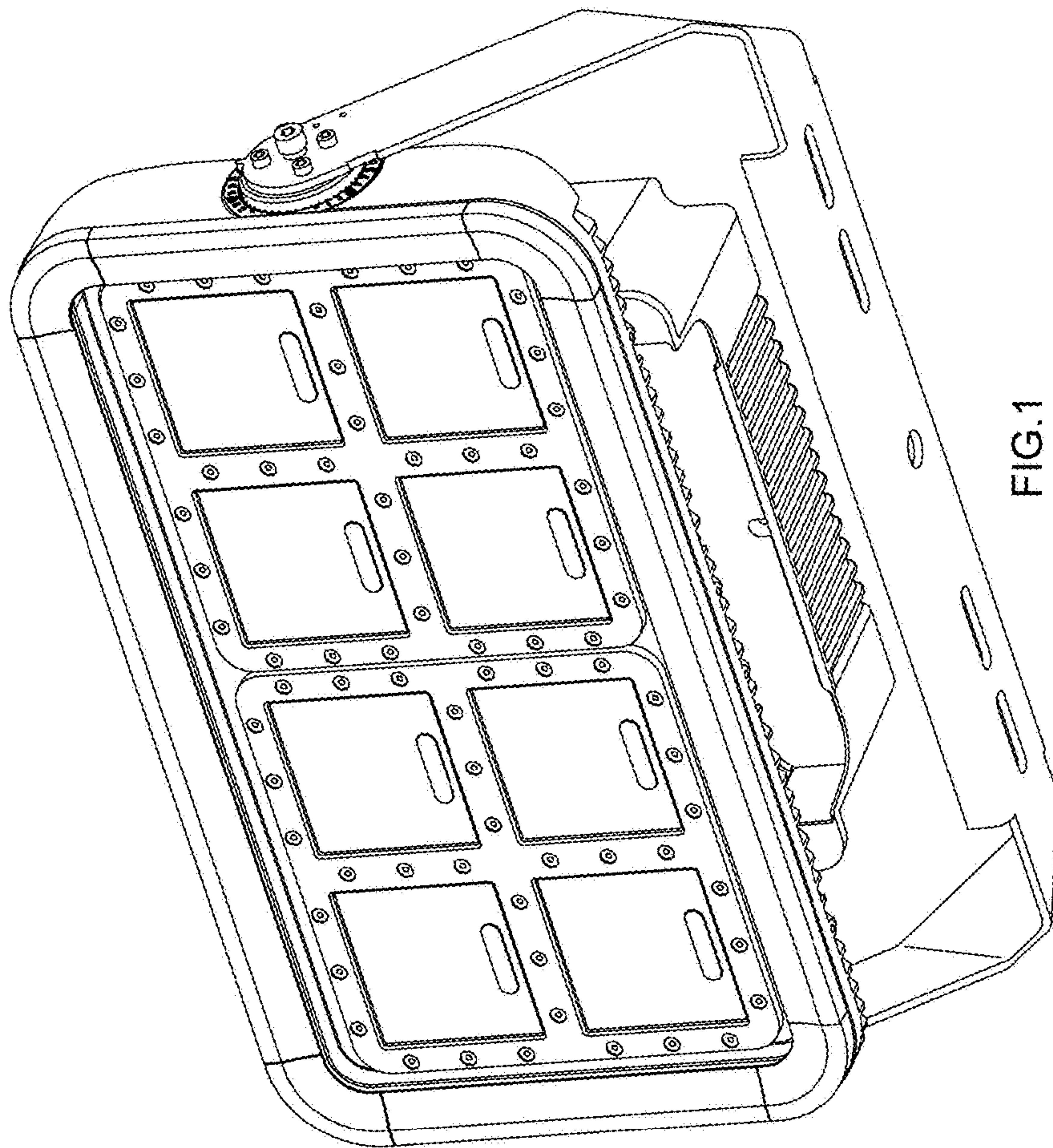


FIG.1

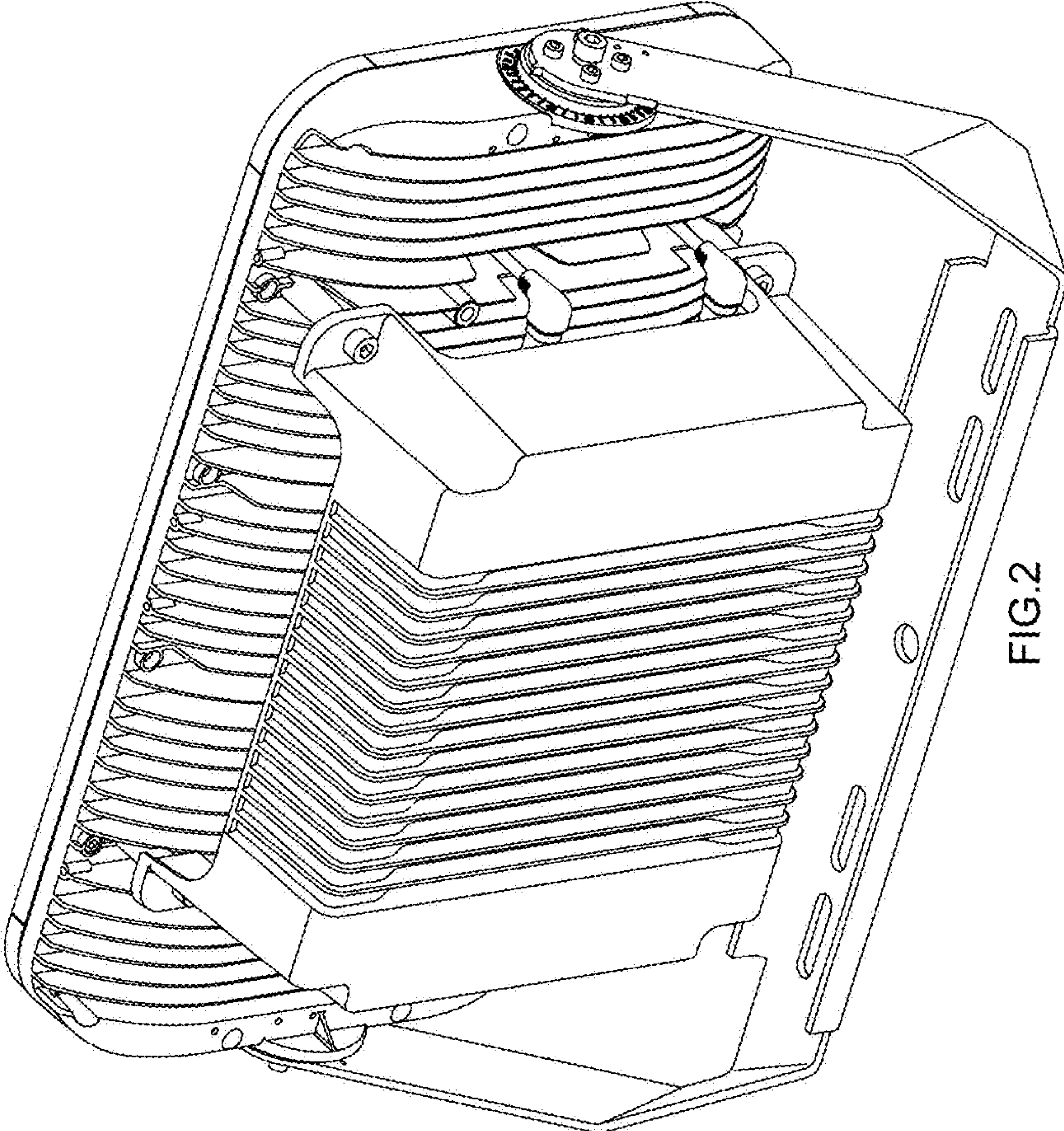


FIG.2

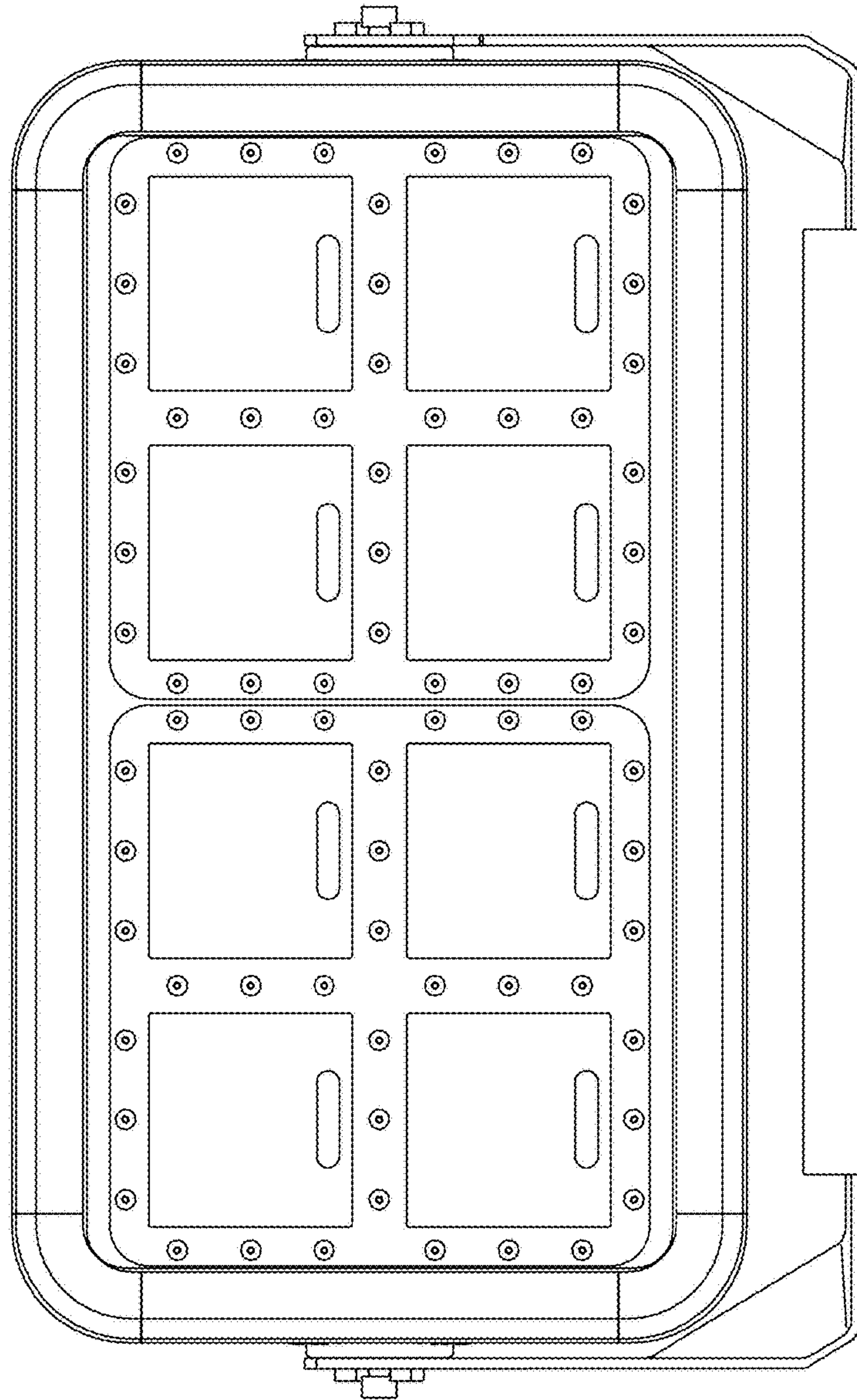


FIG.3

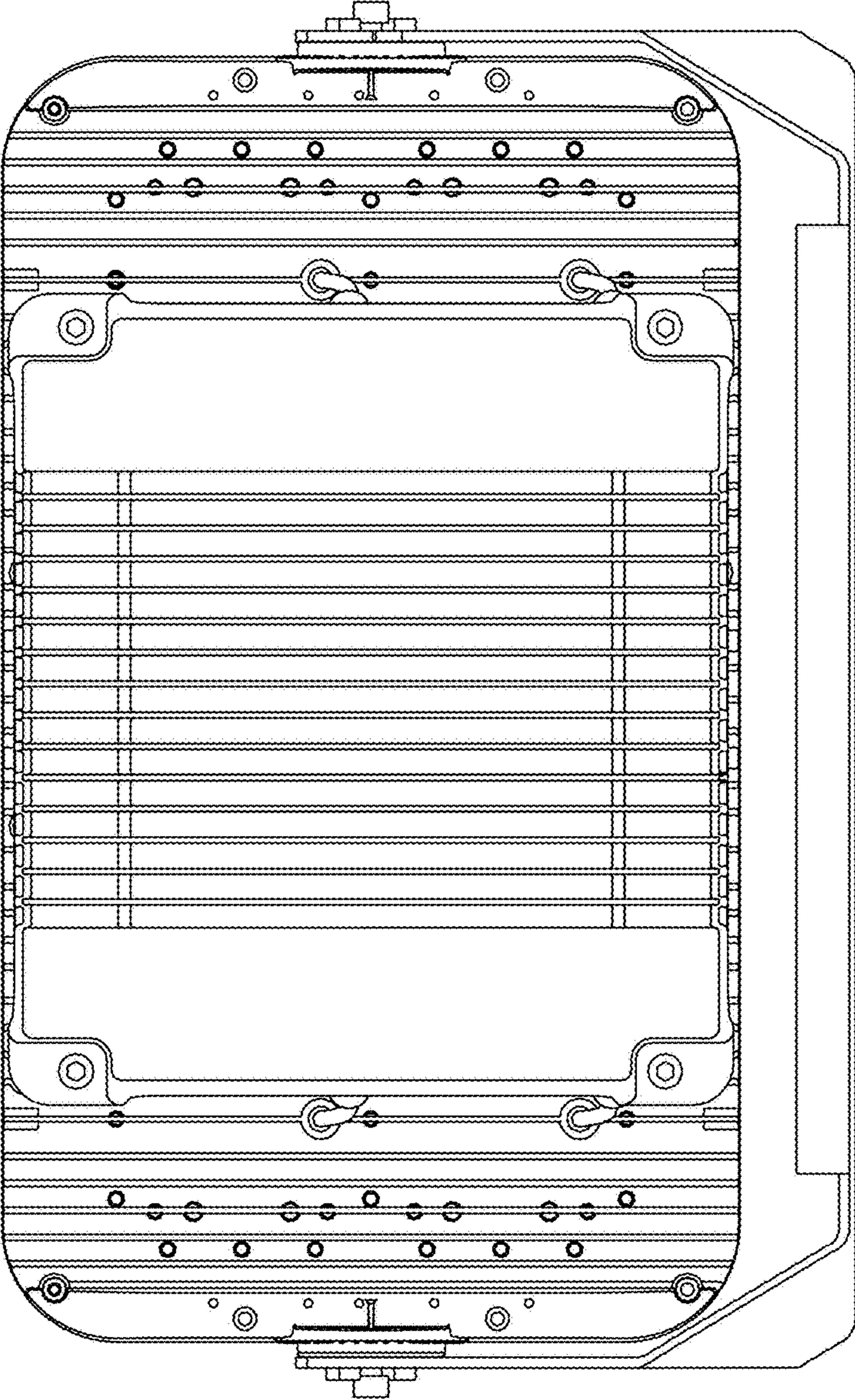


FIG.4

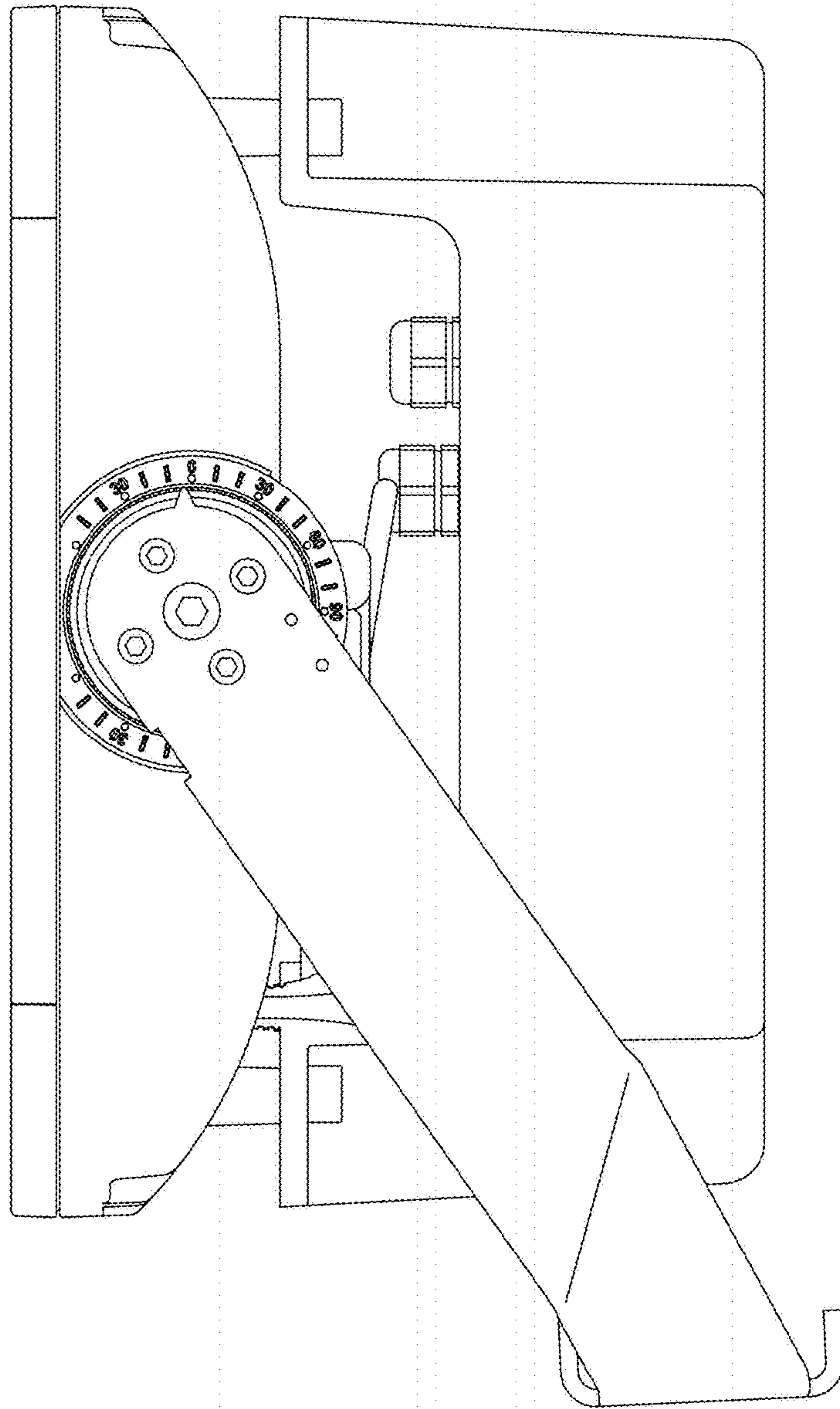


FIG.5

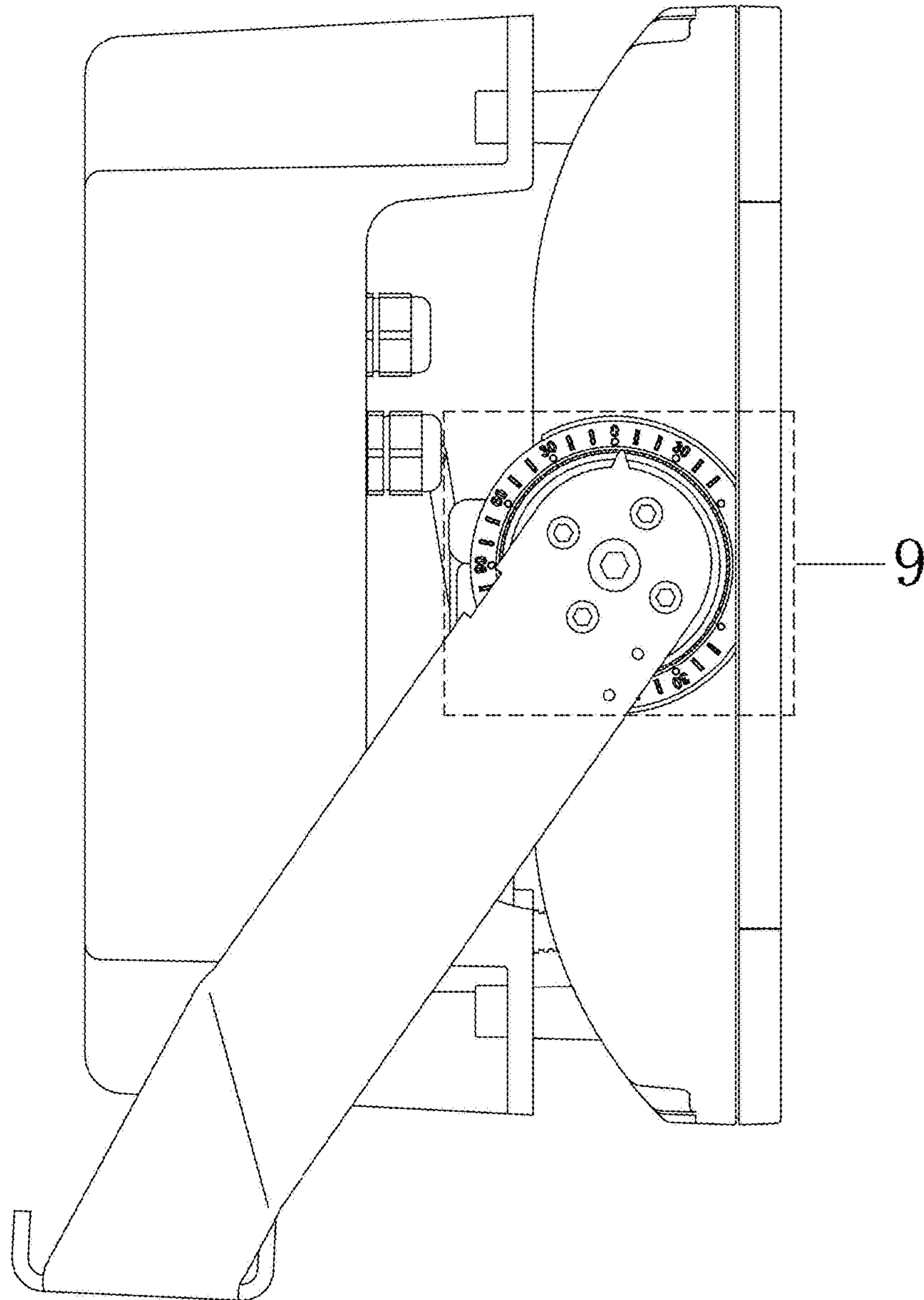


FIG.6

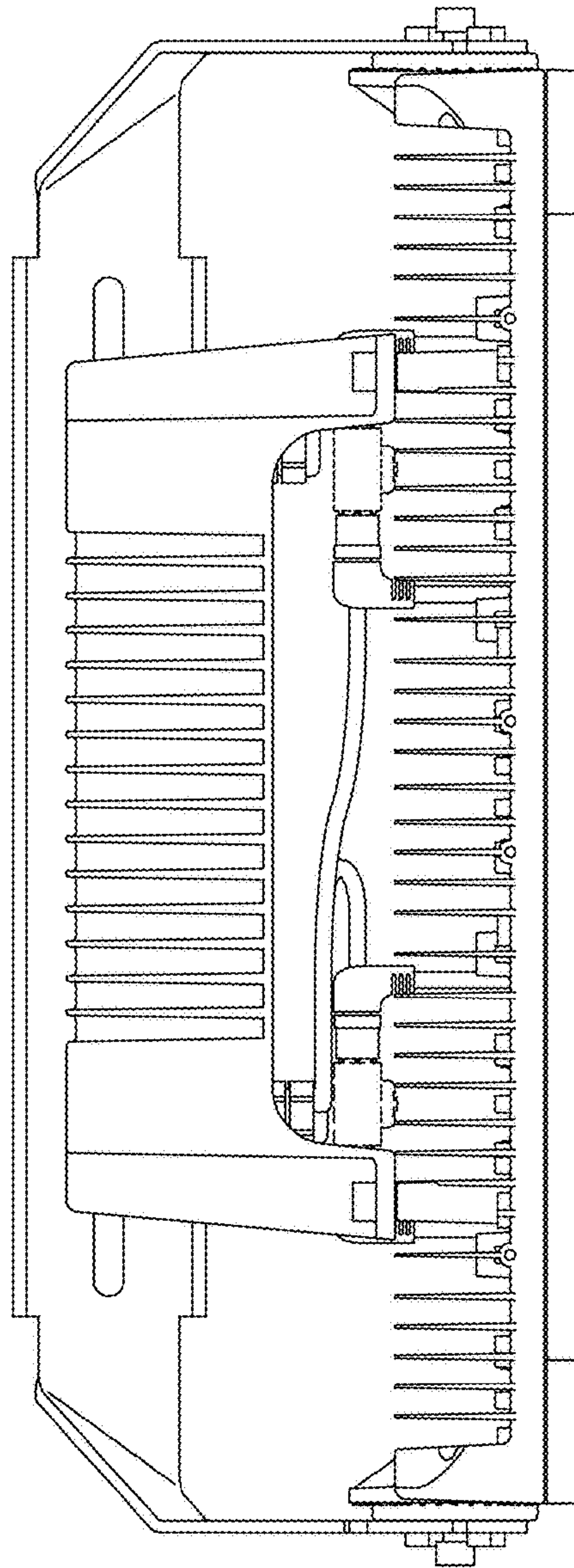


FIG.7

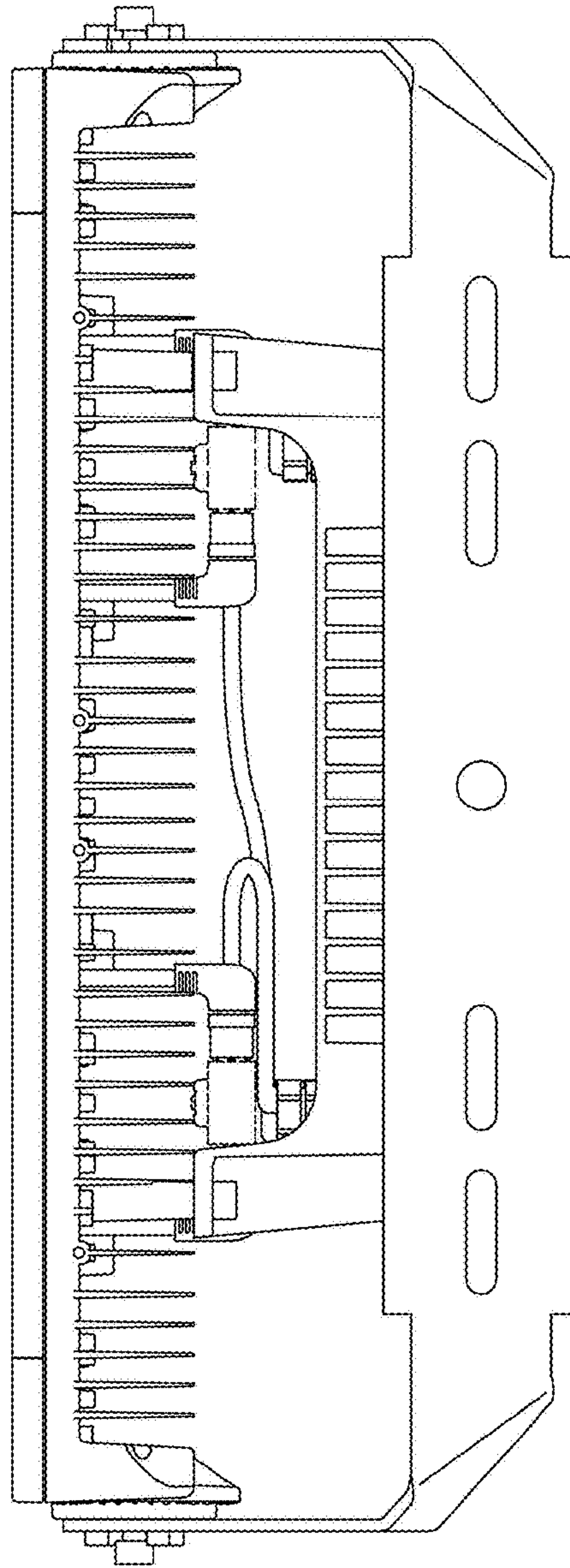


FIG.8

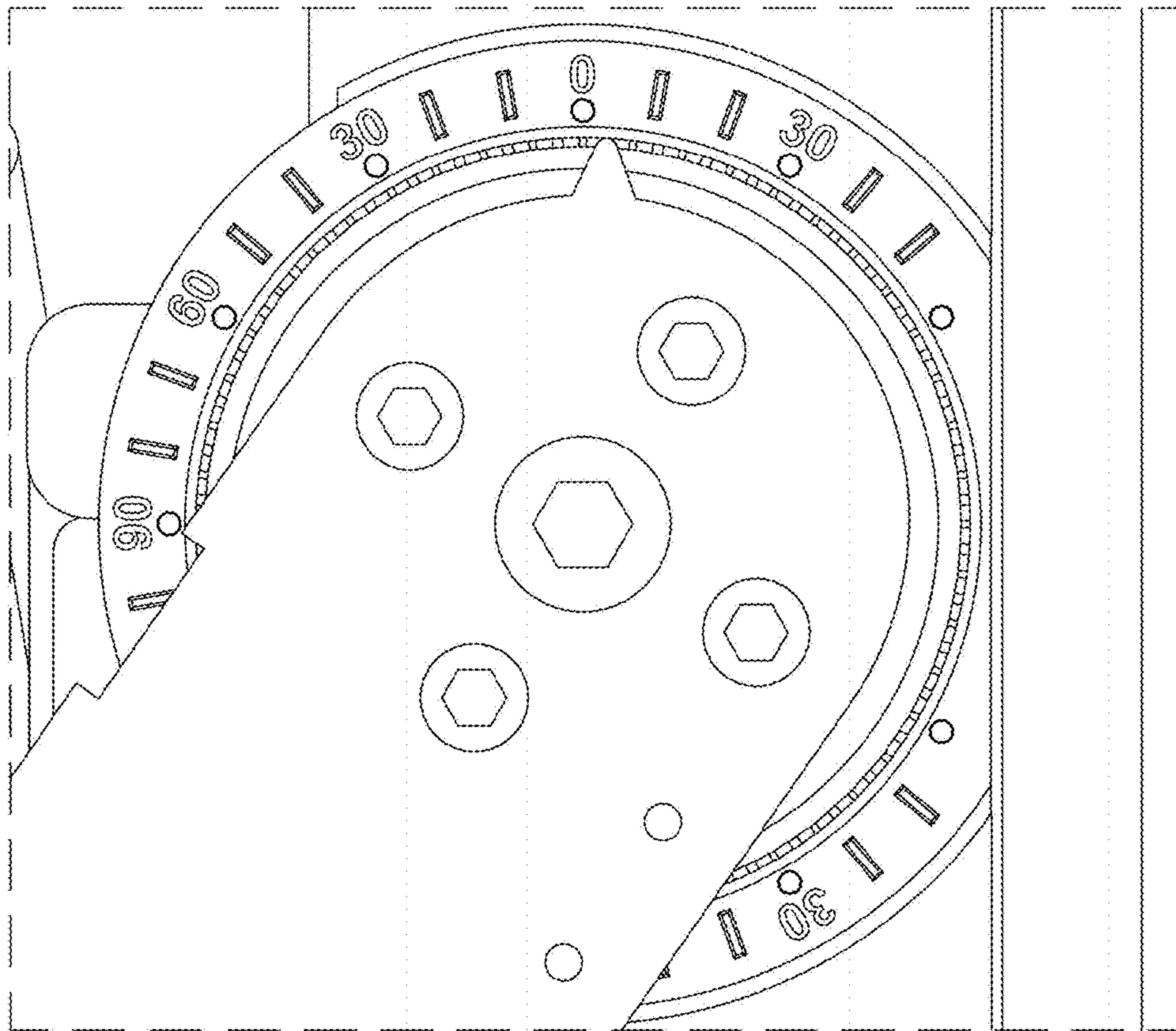


FIG.9