



US00D874701S

(12) **United States Design Patent**
Hu

(10) **Patent No.:** **US D874,701 S**

(45) **Date of Patent:** **** Feb. 4, 2020**

(54) **BOOK LAMP**

(56) **References Cited**

(71) Applicant: **SHENZHEN QIANHAI PATUOXUN NETWORK AND TECHNOLOGY CO., LTD**, Shenzhen (CN)

(72) Inventor: **Zaihui Hu**, Shenzhen (CN)

(73) Assignee: **SHENZHEN QIANHAI PATUOXUN NETWORK AND TECHNOLOGY CO., LTD**, Shenzhen (CN)

(**) Term: **15 Years**

(21) Appl. No.: **29/709,079**

(22) Filed: **Oct. 11, 2019**

(30) **Foreign Application Priority Data**

Aug. 27, 2019 (CN) 2019 3 0468636

(51) **LOC (12) Cl.** **26-03**

(52) **U.S. Cl.**
USPC **D26/60**

(58) **Field of Classification Search**
USPC D26/1, 24, 60, 61, 62, 72, 93, 106, 118, D26/107
CPC F21S 6/00; F21S 6/002; F21S 6/003; F21S 6/004; F21S 6/005; F21S 6/006; F21S 6/007; F21V 21/02; F21V 21/088; F21W 2121/00; F21W 2131/30

See application file for complete search history.

U.S. PATENT DOCUMENTS

D544,124 S *	6/2007	Chan	D26/43
D563,011 S	2/2008	Major	
D754,382 S	4/2016	van Oord	
D788,961 S *	6/2017	Edgar	D26/60
D825,823 S *	8/2018	Ren	D26/60
D838,888 S *	1/2019	Shengbiao	D26/60
D861,944 S *	10/2019	Wu	D26/60

* cited by examiner

Primary Examiner — Brian N. Vinson

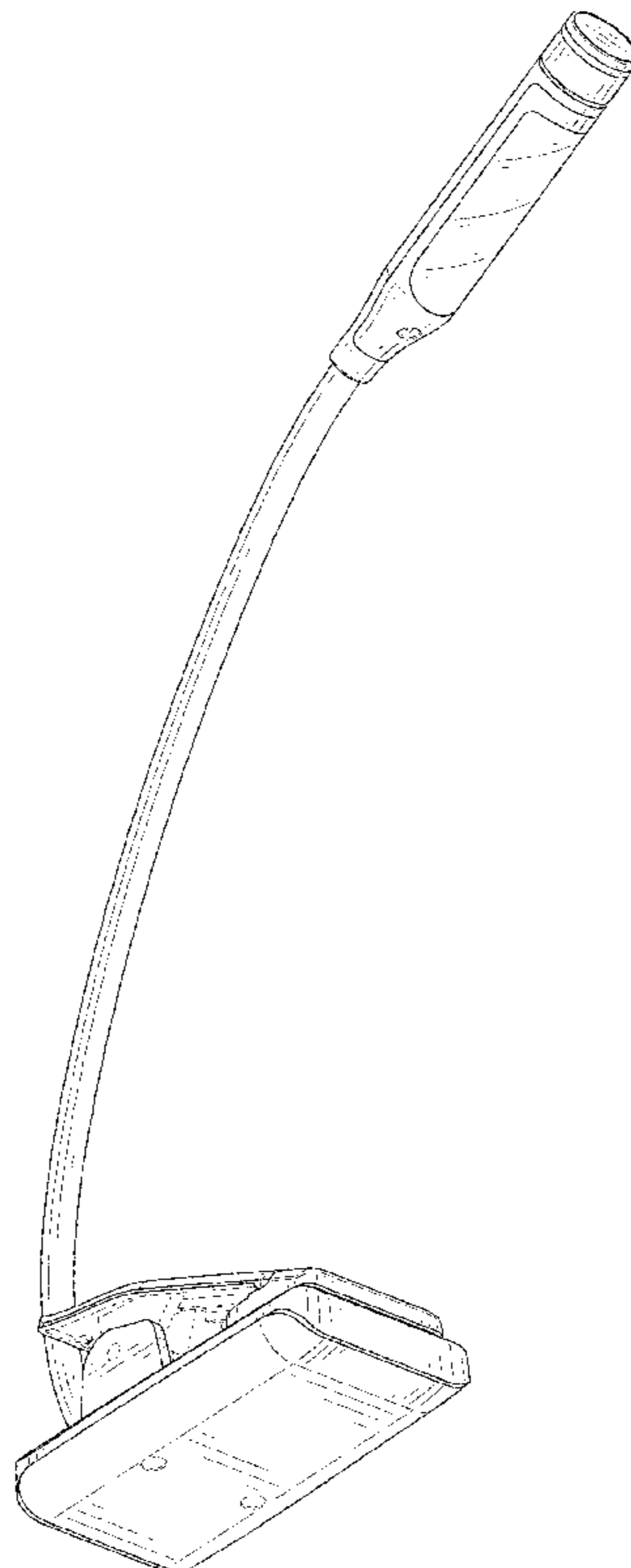
(57) **CLAIM**

The ornamental design for a book lamp, as shown and described.

DESCRIPTION

FIG. 1 is a perspective view of a book lamp showing my new design;
FIG. 2 is another perspective view thereof;
FIG. 3 is a front elevational view thereof;
FIG. 4 is a rear elevational view thereof;
FIG. 5 is a left side elevational view thereof;
FIG. 6 is a right side elevational view thereof;
FIG. 7 is a top plan view thereof;
FIG. 8 is a bottom plan view thereof;
FIG. 9 is an enlarged view of portion 9 shown in FIG. 1; and,
FIG. 10 is an enlarged view of portion 10 shown in FIG. 1.
The broken lines in the drawings depict portions of the book lamp that form no part of the claimed design.

1 Claim, 10 Drawing Sheets



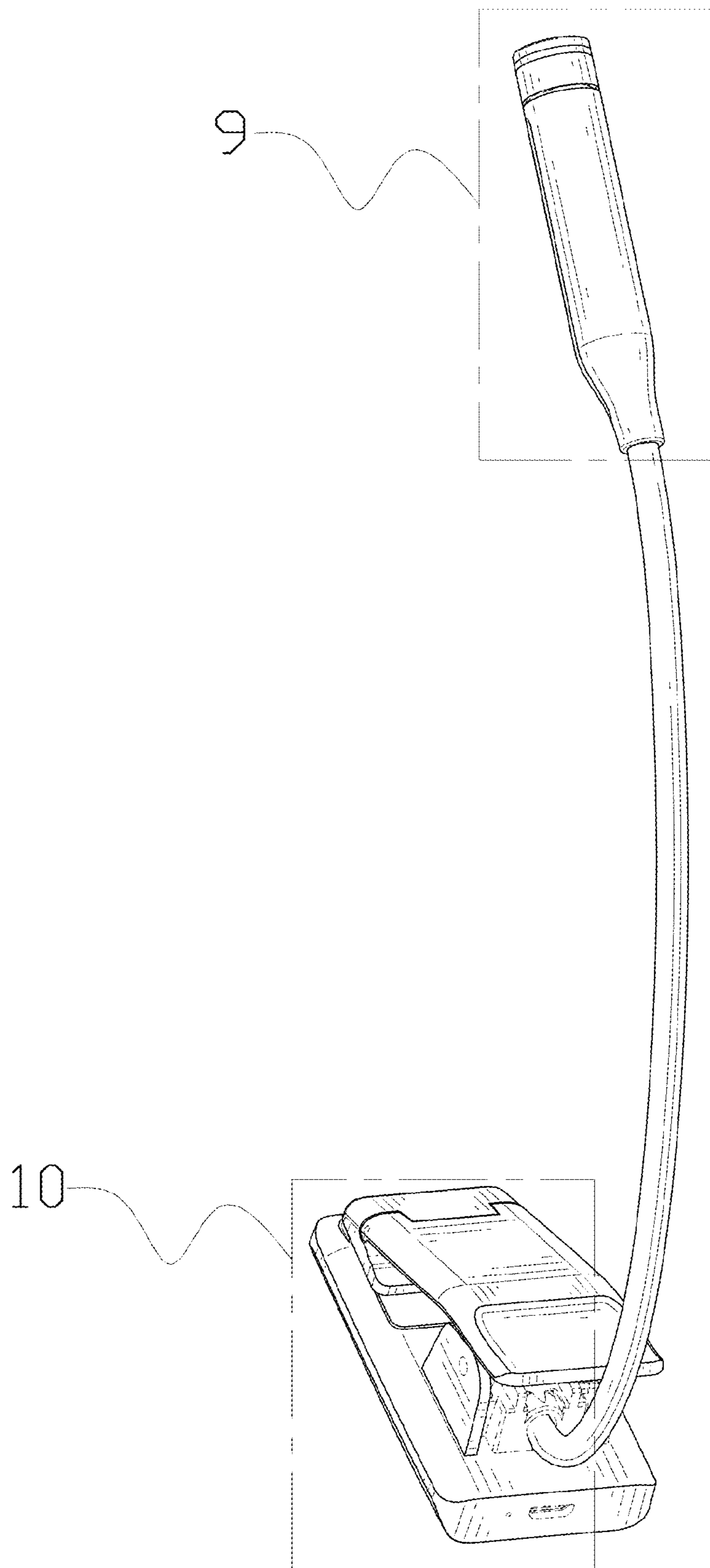


FIG. 1

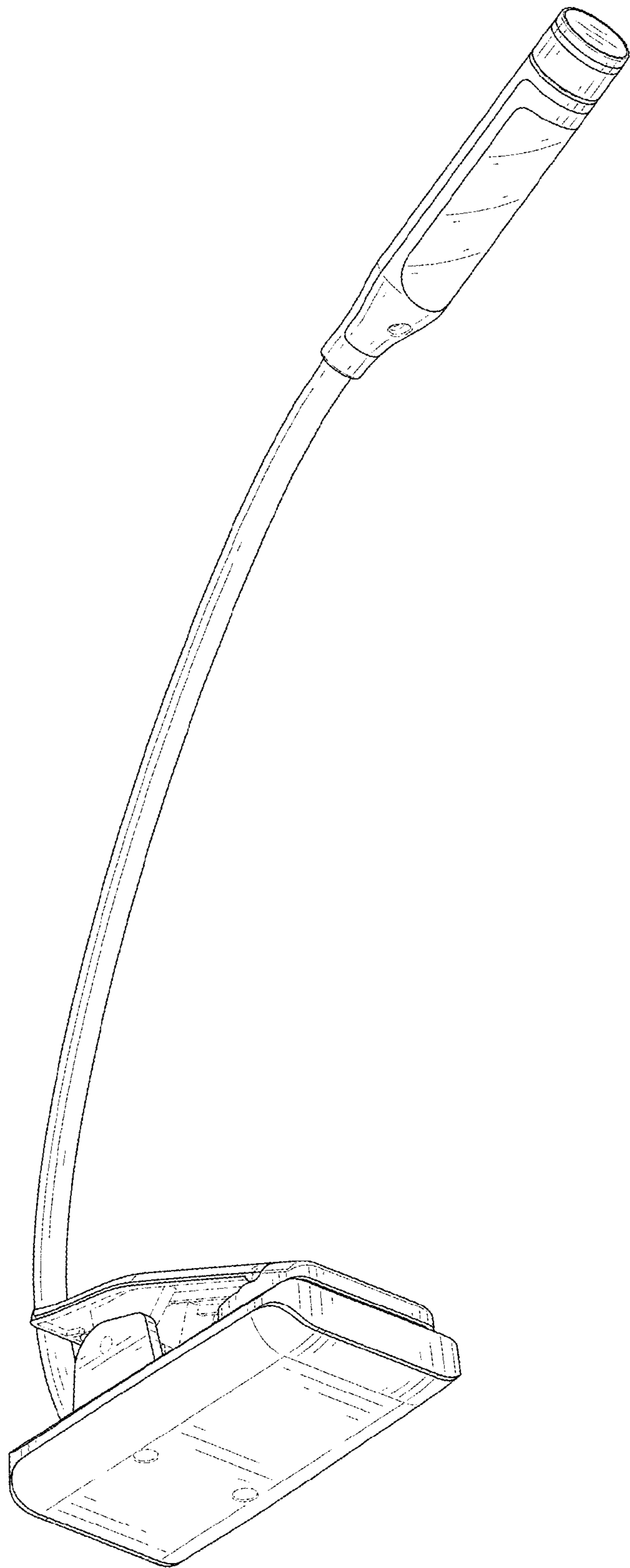


FIG. 2

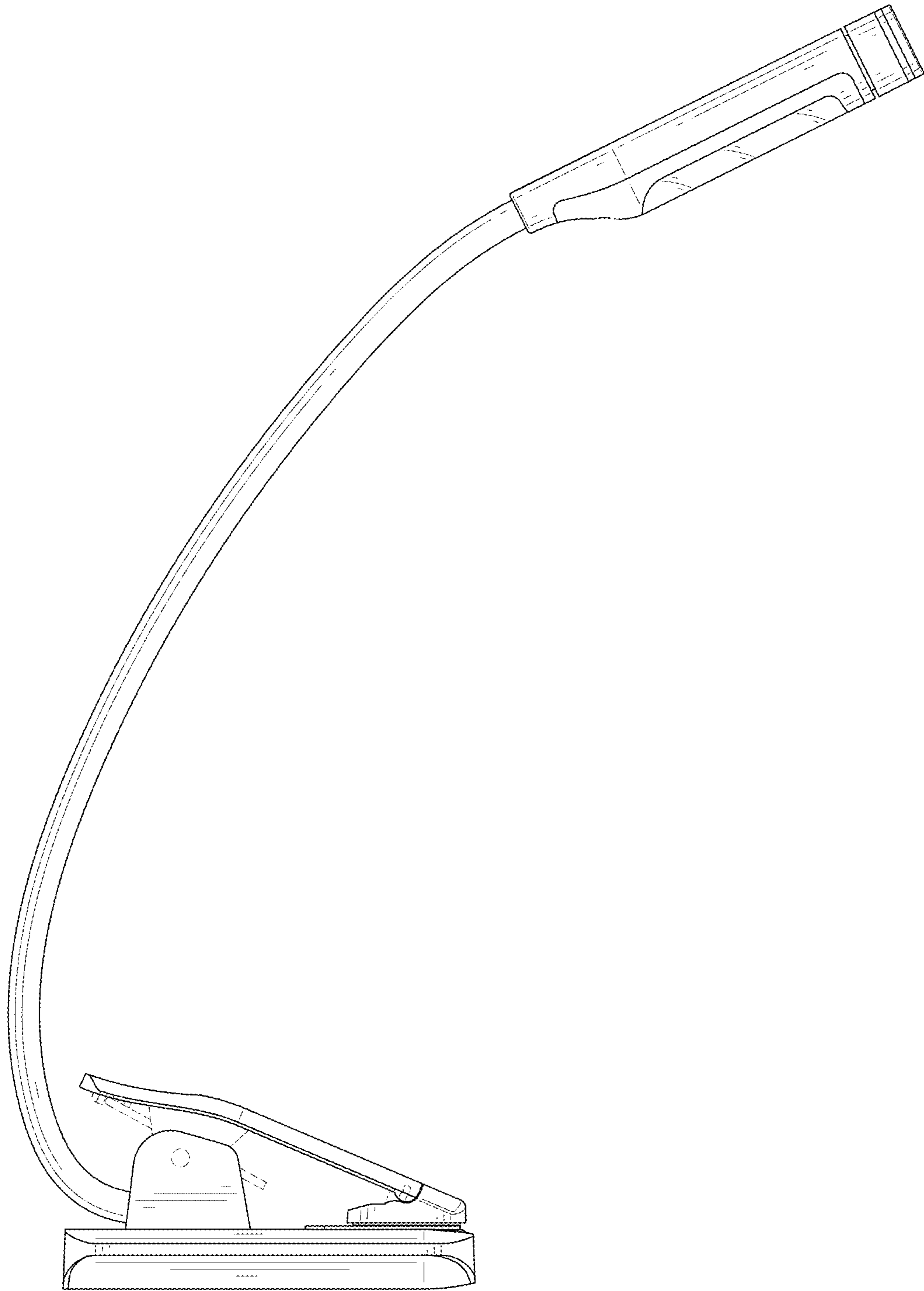


FIG. 3

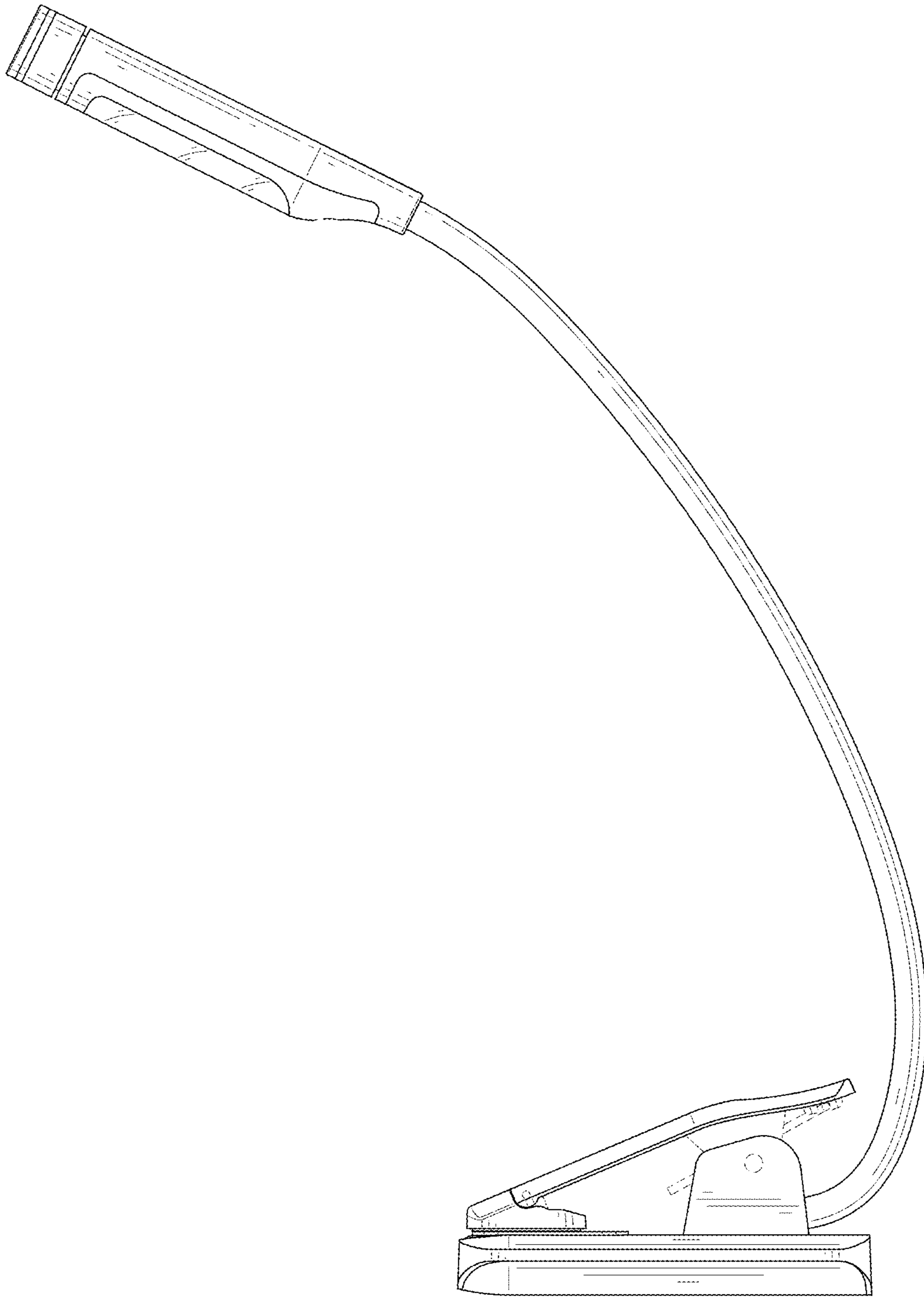


FIG. 4

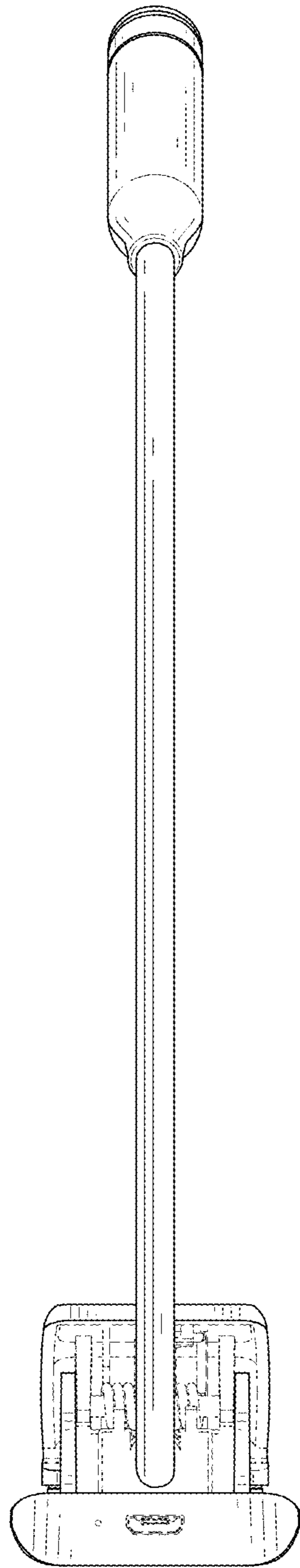


FIG. 5

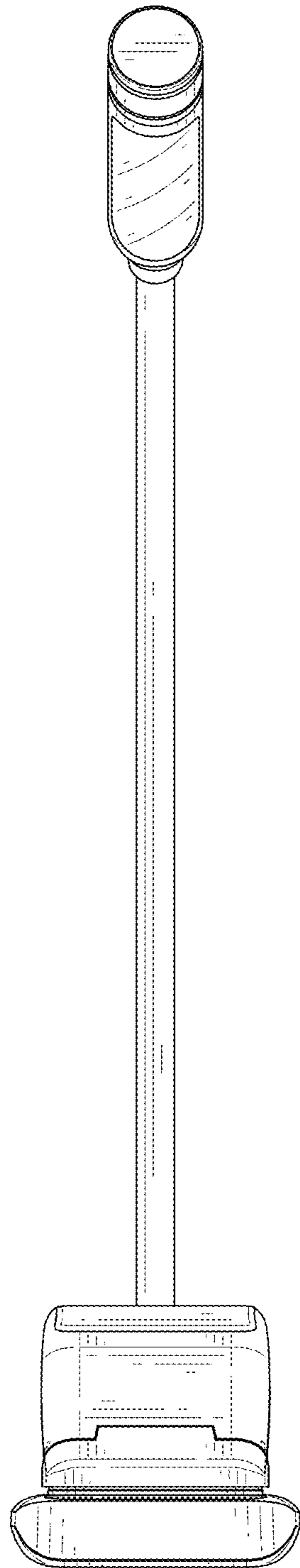


FIG. 6

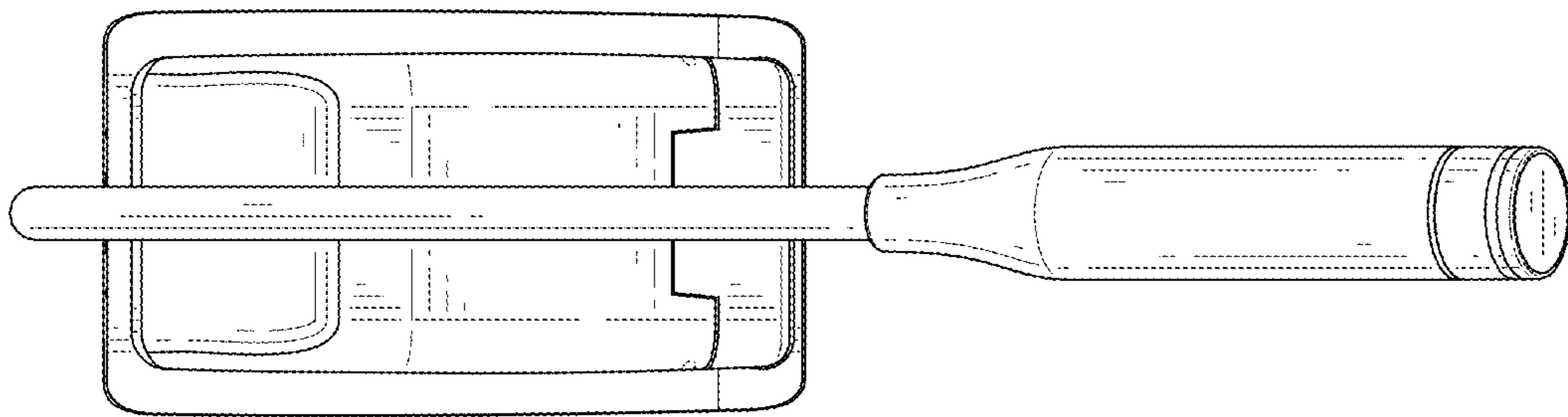


FIG. 7

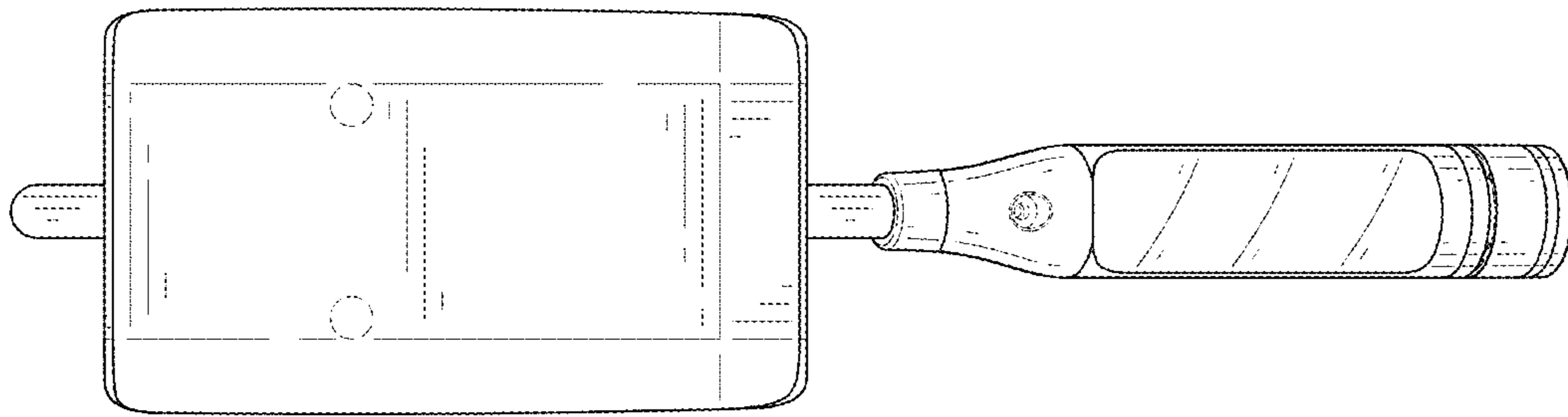


FIG. 8

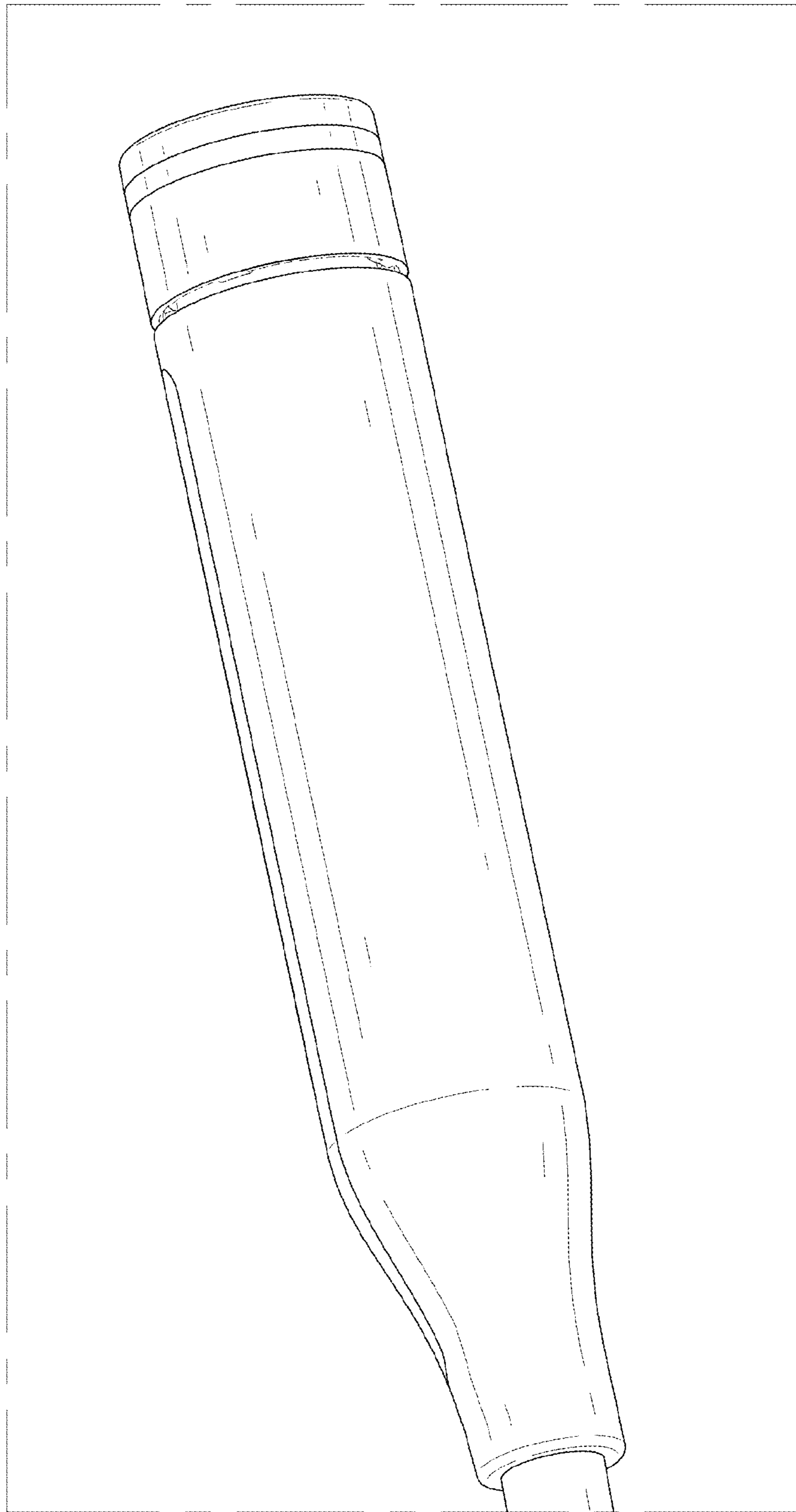


FIG. 9

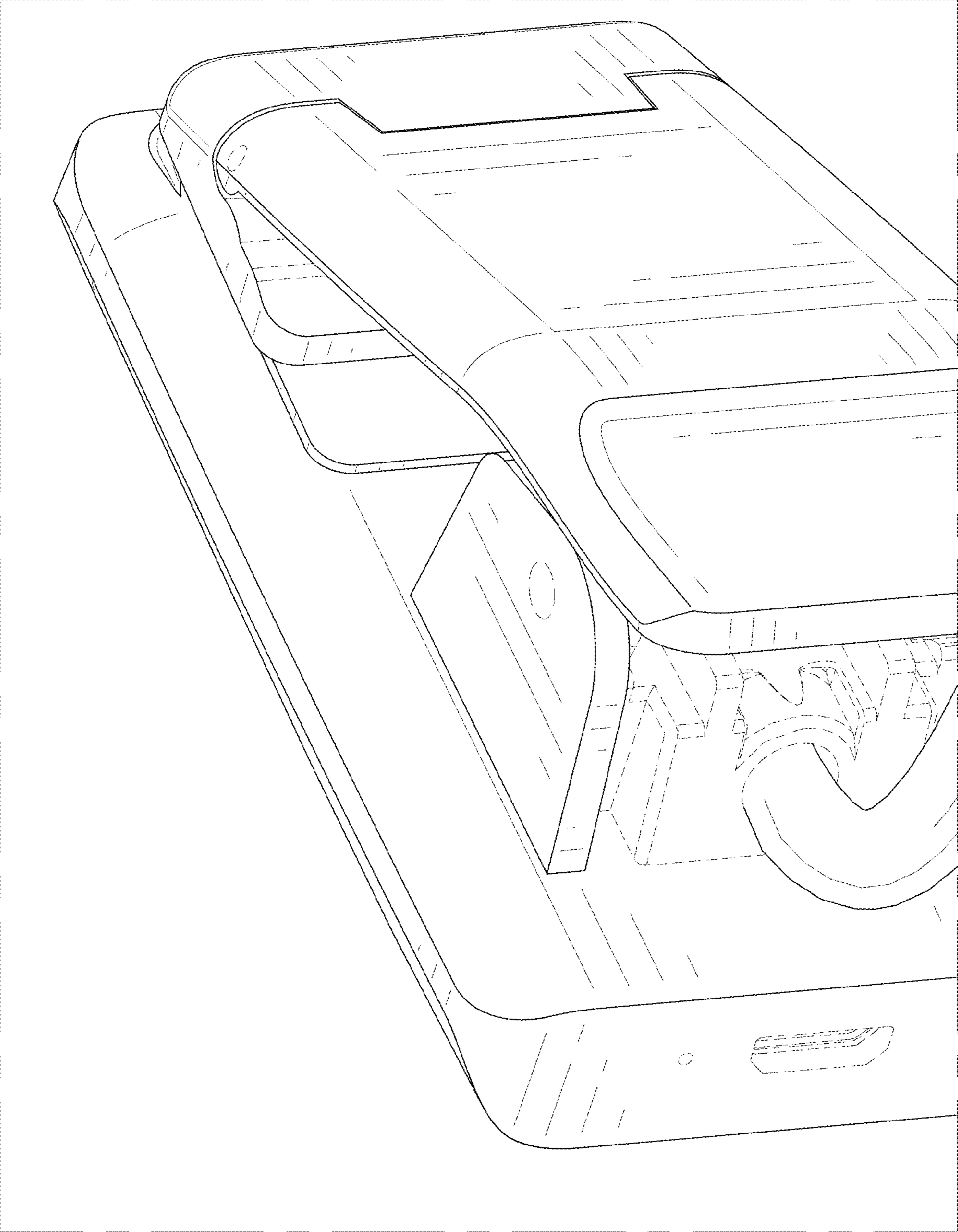


FIG. 10