

US00D874700S

(12) **United States Design Patent** (10) **Patent No.:** **US D874,700 S**
Shirota (45) **Date of Patent:** **** Feb. 4, 2020**

(54) **TAILLIGHT FOR A BICYCLE**
(71) Applicant: **Cateye Co., Ltd.**, Osaka (JP)
(72) Inventor: **Ryuya Shirota**, Osaka (JP)
(73) Assignee: **Cateye Co. Ltd.**, Osaka (JP)
(**) Term: **15 Years**
(21) Appl. No.: **29/664,098**
(22) Filed: **Sep. 21, 2018**

D678,562 S * 3/2013 Chan D26/28
8,752,974 B2 * 6/2014 Leibowitz A63B 71/0686
362/103
D752,252 S * 3/2016 Ruthling D26/28
D795,477 S * 8/2017 Fissell D26/60
D810,339 S * 2/2018 Peng D26/60
D814,677 S * 4/2018 Sukphisit D26/60
D821,623 S * 6/2018 Grawemeyer D26/60
D823,513 S * 7/2018 Iraneta Olcoz D26/60
D824,063 S * 7/2018 Hutchens D26/60
D836,225 S * 12/2018 Finch D26/28
D840,078 S * 2/2019 Marshall D26/60
D840,079 S * 2/2019 Marshall D26/60
D854,717 S * 7/2019 Finch D26/28
2014/0355283 A1 * 12/2014 Kurumatani B62J 6/00
362/473

(30) **Foreign Application Priority Data**

Mar. 27, 2018 (JP) 2018-006504
(51) **LOC (12) Cl.** **26-05**
(52) **U.S. Cl.**
USPC **D26/60**
(58) **Field of Classification Search**
USPC D26/1, 24, 39, 60, 61, 62, 64-66, 72;
D8/72, 73, 394, 396; D10/104.1, 106.1,
D10/114.2, 114.3; D20/10, 16, 17, 19,
D20/21, 29; 362/157, 171, 362, 365,
362/368, 370, 473, 474, 486
CPC F21W 2107/00; F21W 2107/13; F21W
2107/17; F21S 9/00; F21S 9/02; F21S
9/22; F21S 41/18; F21S 41/19; F21S
41/192-198; F21S 8/00; F21S 8/02; F21S
8/03; F21S 8/06; F21S 8/003; F21S
8/043; F21V 15/01; F21V 15/04
See application file for complete search history.

FOREIGN PATENT DOCUMENTS

CN 303704947 S 6/2016
CN 304738946 S 7/2018
JP D1614790 S 10/2018

* cited by examiner

Primary Examiner — Wan Laymon
Assistant Examiner — Clint A Samuel
(74) *Attorney, Agent, or Firm* — Saul Ewing Arnstein & Lehr LLP

(57) **CLAIM**

The ornamental design for a taillight for a bicycle, as shown.

DESCRIPTION

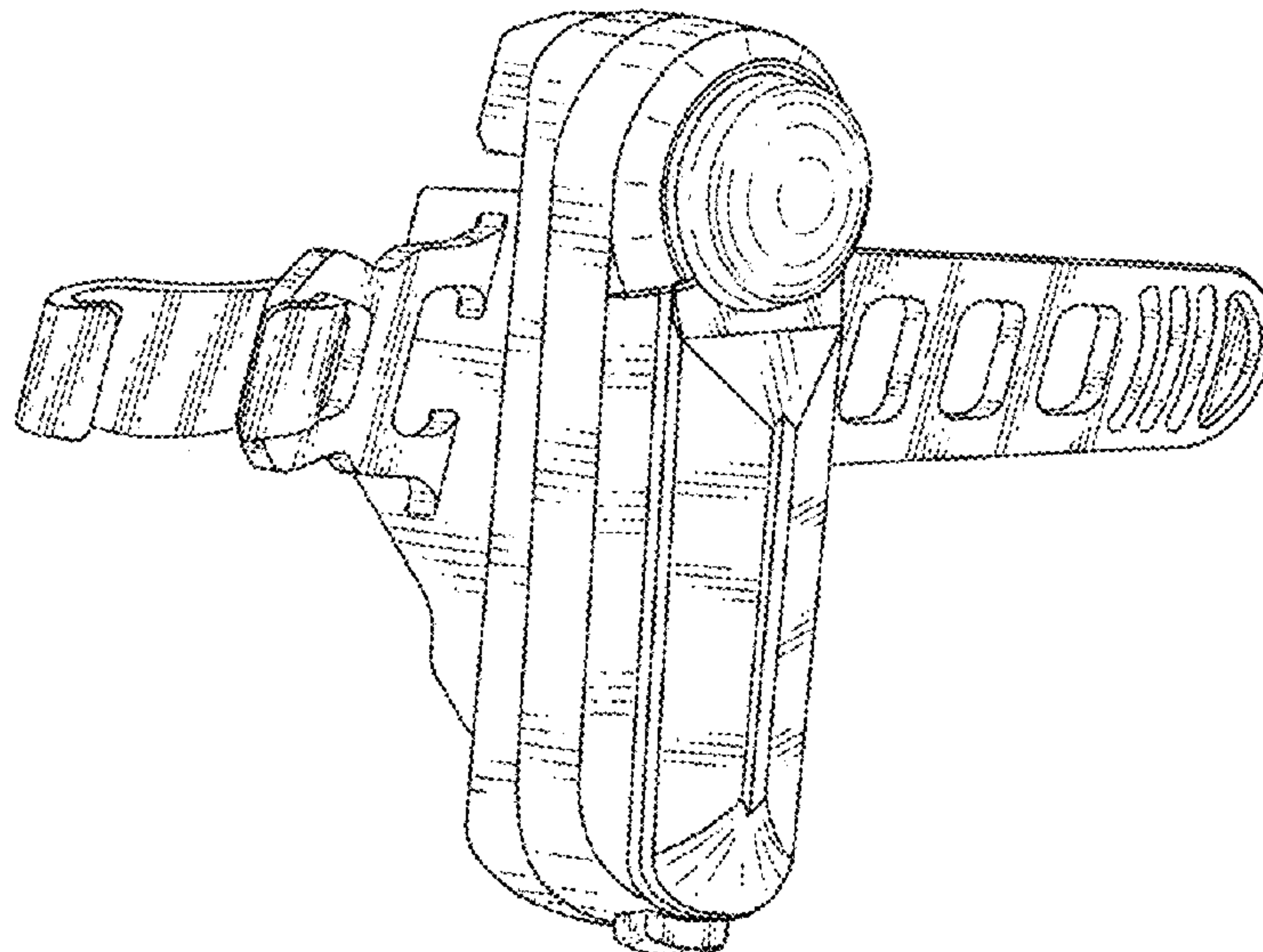
FIG. 1 is a perspective view of a taillight for a bicycle showing my new design;
FIG. 2 is a front elevational view thereof;
FIG. 3 is a rear elevational view thereof;
FIG. 4 is a right side view thereof;
FIG. 5 is a left side view thereof;
FIG. 6 is a top plan view thereof; and,
FIG. 7 is a bottom plan view thereof.

1 Claim, 5 Drawing Sheets

(56) **References Cited**

U.S. PATENT DOCUMENTS

D241,662 S * 9/1976 Radmall D21/386
D344,148 S * 2/1994 Yuen D26/28
D526,079 S * 8/2006 Heun D26/60
D630,359 S * 1/2011 Kang D26/61
D633,240 S * 2/2011 Cheng D26/60



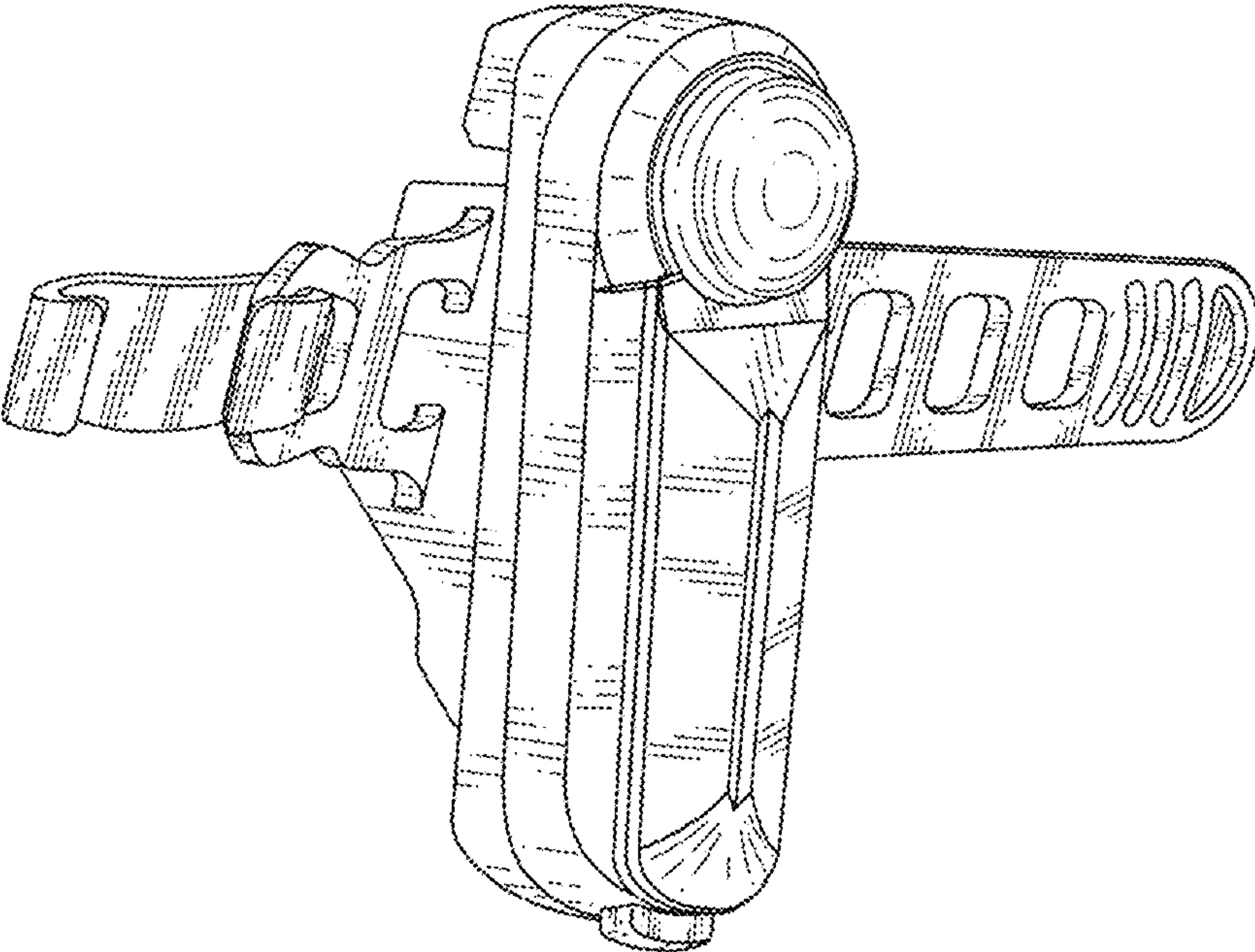


Fig. 1

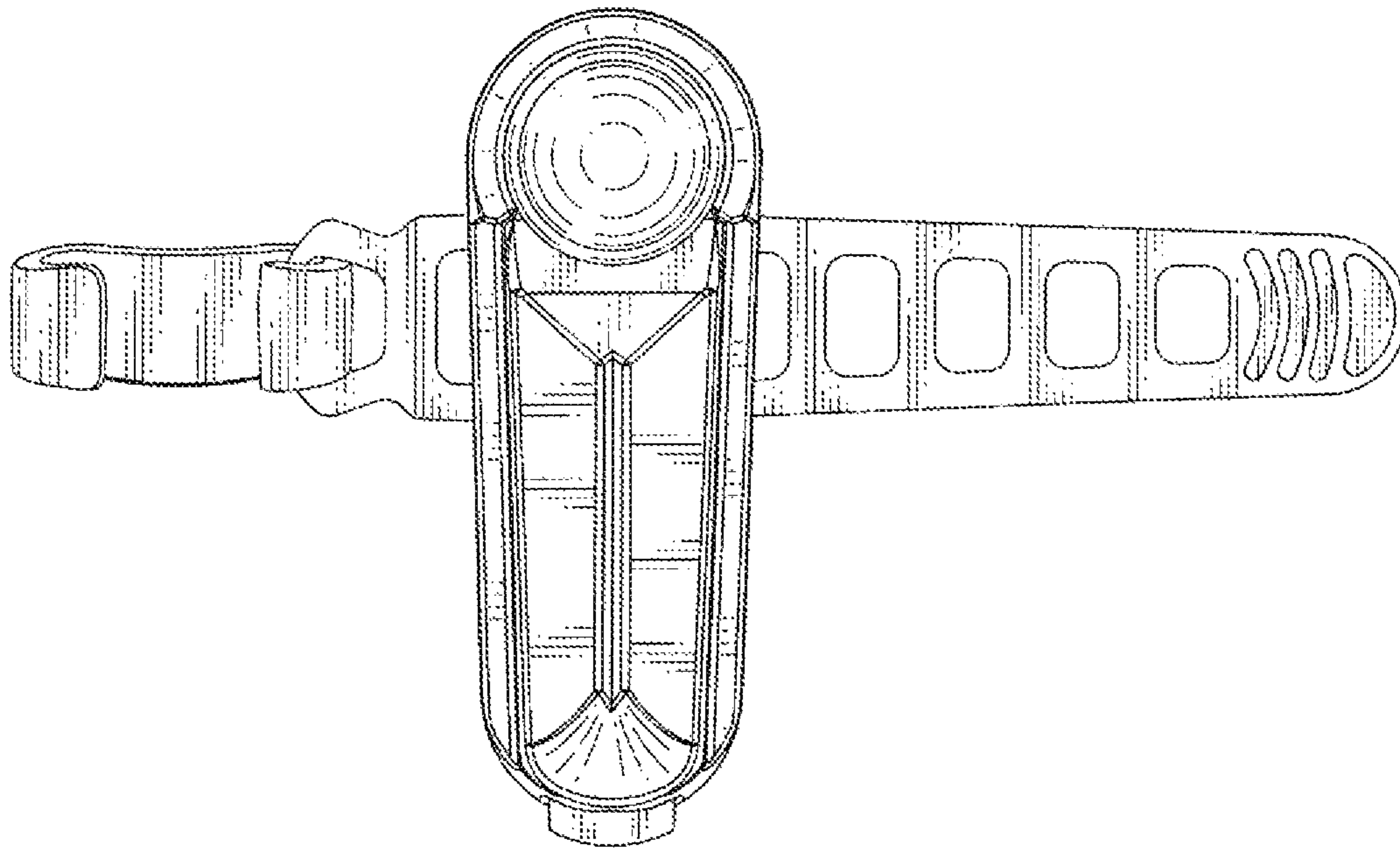


Fig. 2

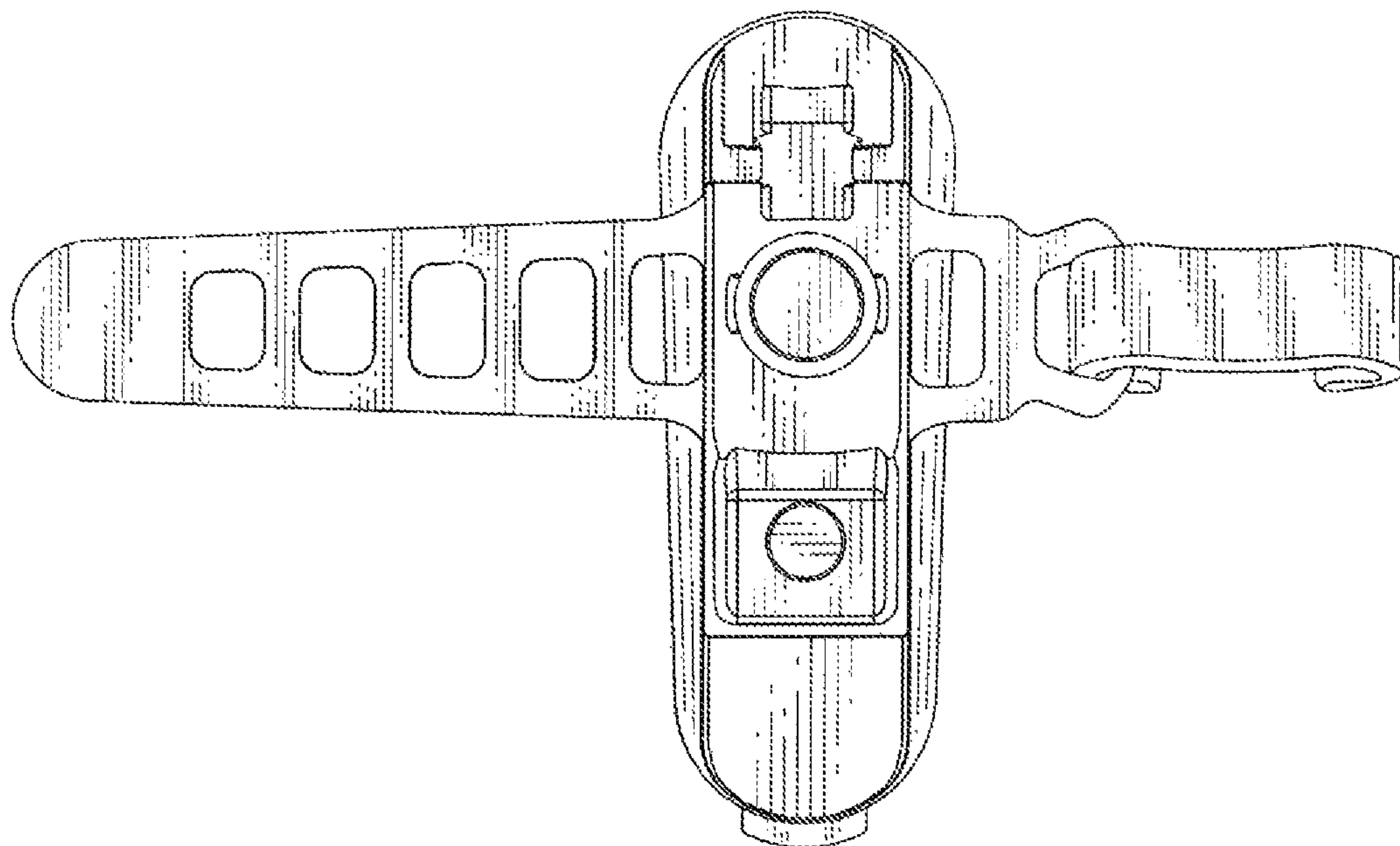


Fig. 3

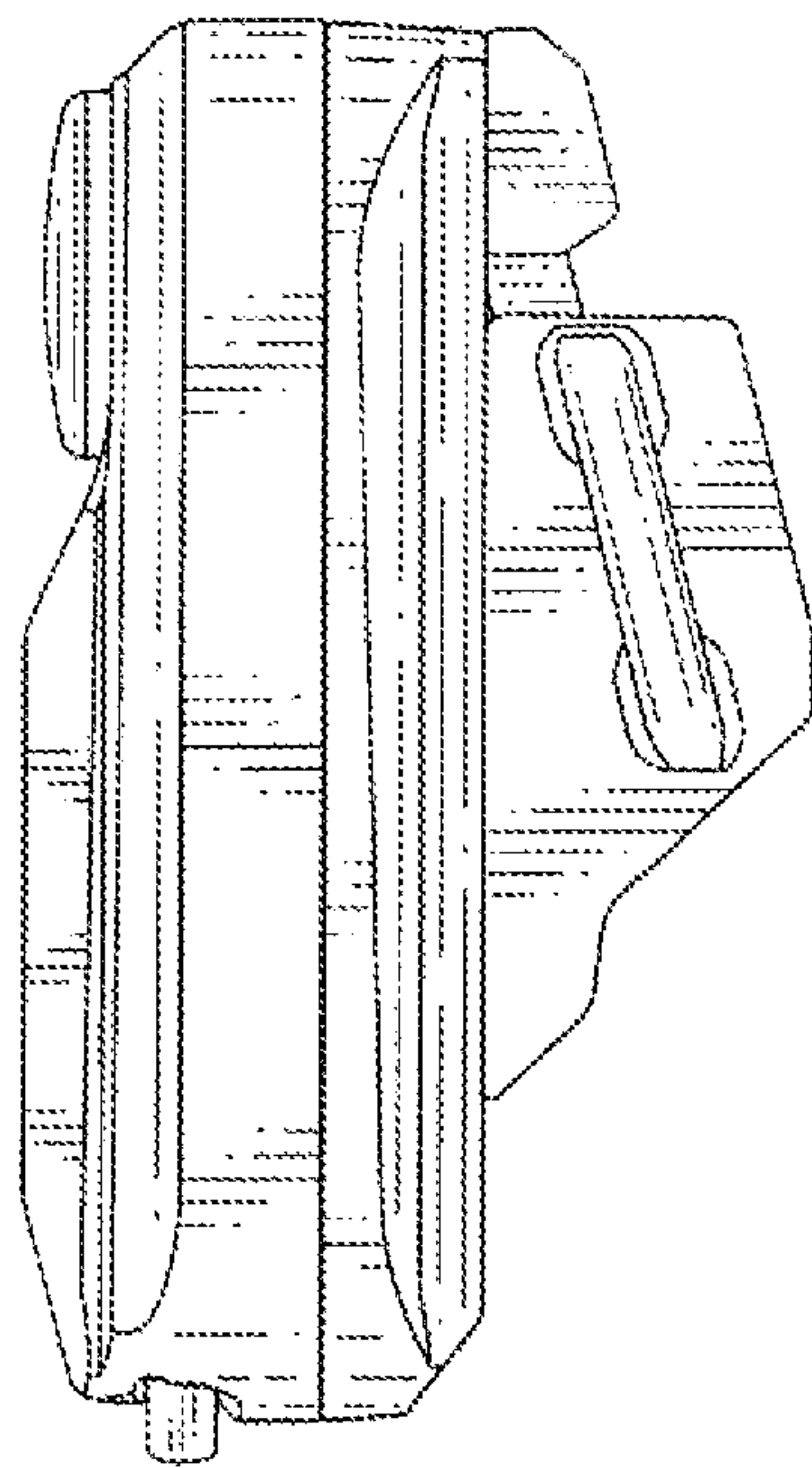


Fig. 4

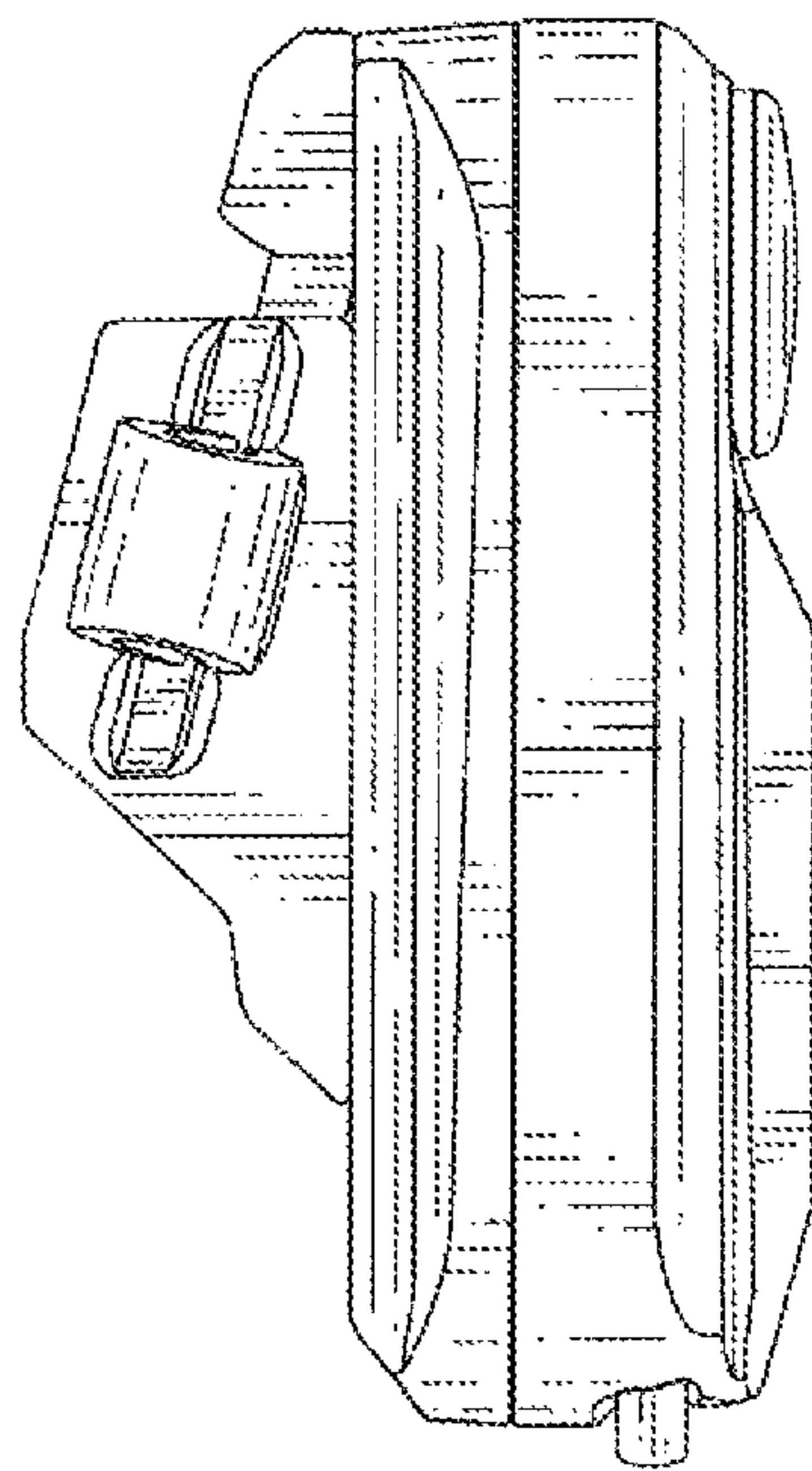


Fig. 5

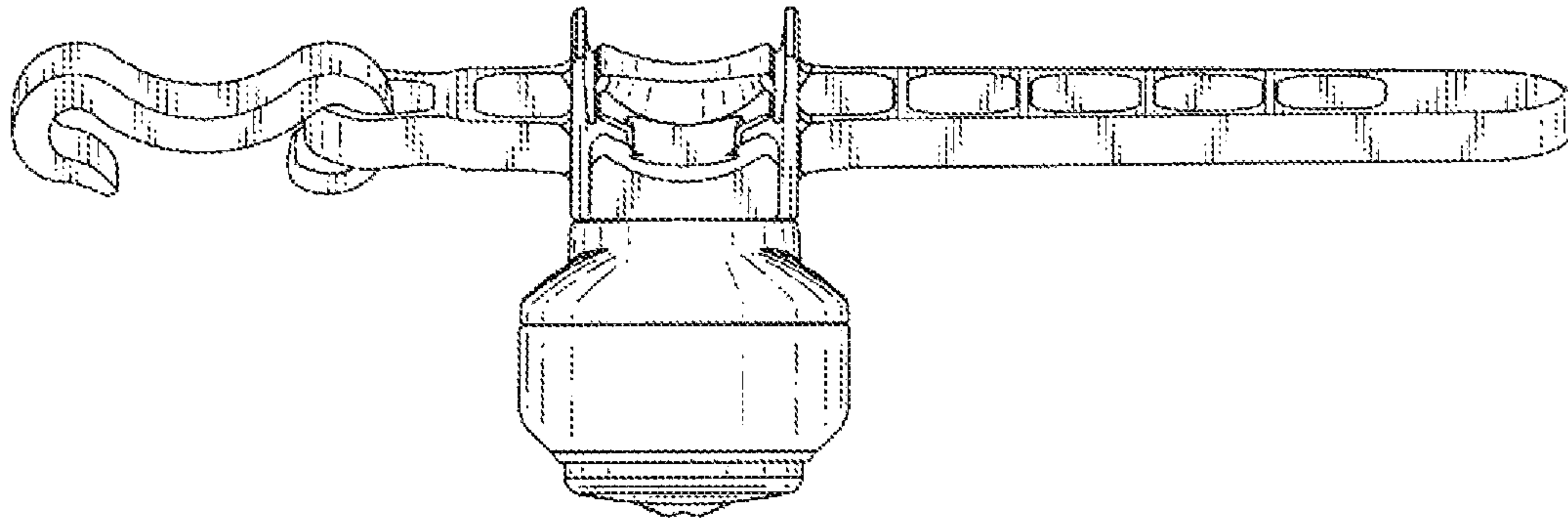


Fig. 6

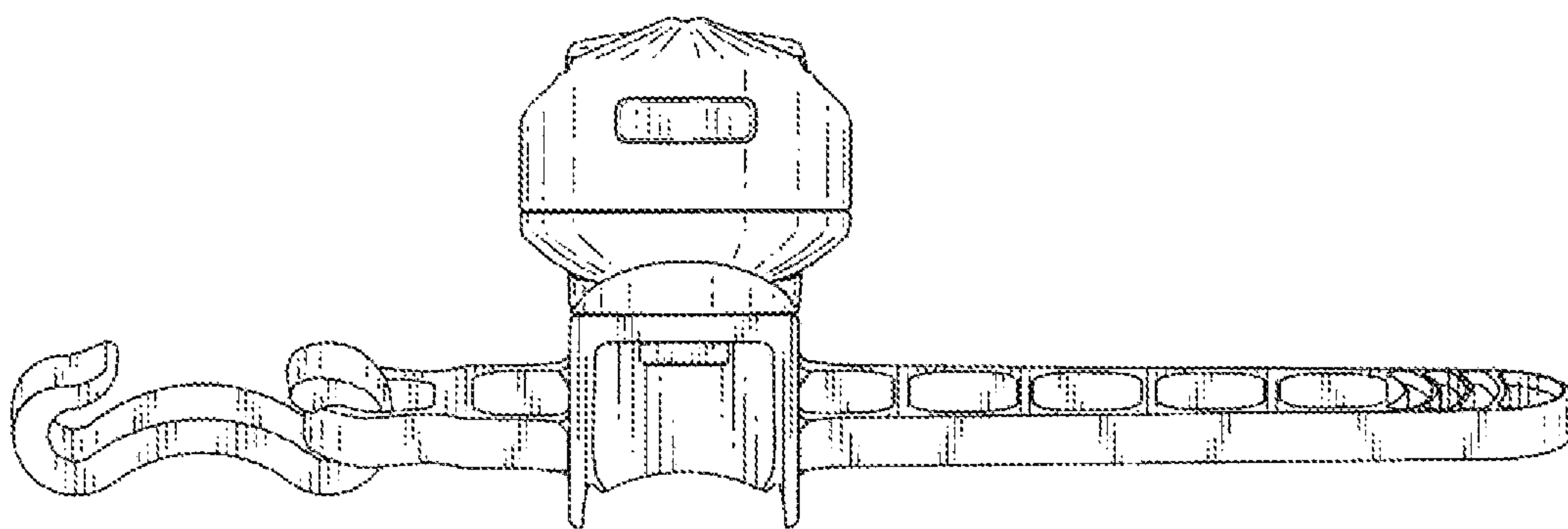


Fig. 7