



US00D874699S

(12) **United States Design Patent** (10) **Patent No.:** **US D874,699 S**  
**Holmes** (45) **Date of Patent:** **\*\* Feb. 4, 2020**

(54) **CEILING FAN LIGHT KIT**  
(71) Applicant: **HUNTER FAN COMPANY**,  
Memphis, TN (US)  
(72) Inventor: **Christine Holmes**, Memphis, TN (US)  
(73) Assignee: **Hunter Fan Company**, Memphis, TN  
(US)  
(\*\*) Term: **15 Years**  
(21) Appl. No.: **29/623,808**  
(22) Filed: **Oct. 27, 2017**  
(51) **LOC (12) Cl.** ..... **26-05**  
(52) **U.S. Cl.**  
USPC ..... **D26/59; D26/89; D26/118**  
(58) **Field of Classification Search**  
USPC ..... D23/328, 370, 372, 377, 381, 382, 385,  
D23/411; D26/24, 51, 59, 62, 63, 72, 76,  
(Continued)

(56) **References Cited**  
U.S. PATENT DOCUMENTS  
805,742 A \* 11/1905 Mygatt ..... F21V 5/00  
362/334  
D57,417 S \* 3/1921 Adam ..... D26/132  
(Continued)

OTHER PUBLICATIONS  
Worldcollector.net, Keith Murray Ceramics Price Guide, Oct. 14,  
2016, online blog post, retrieved May 15, 2019 from (Year: 2016).\*  
(Continued)

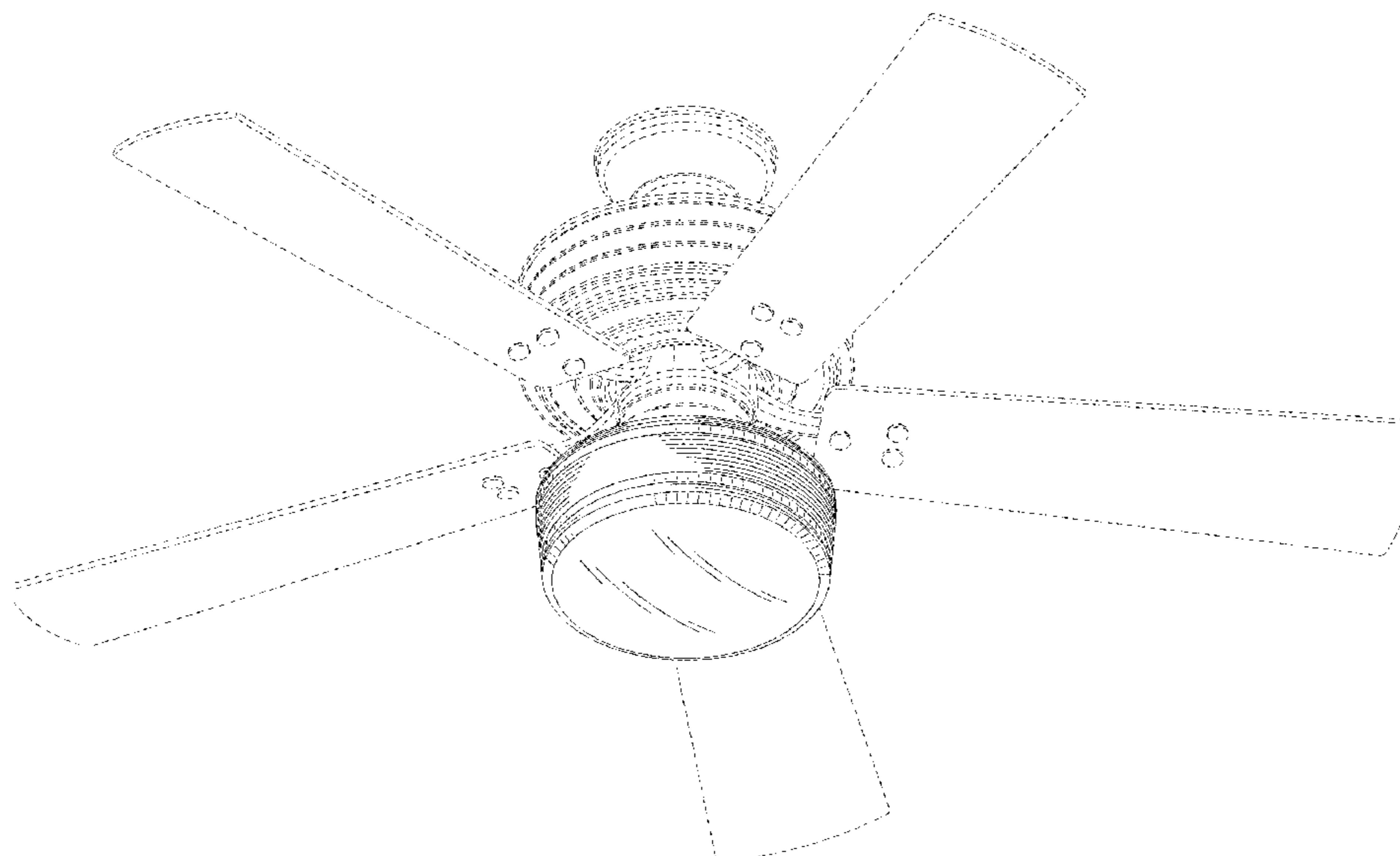
*Primary Examiner* — Sheryl Lane  
*Assistant Examiner* — Calvin E Vansant

(74) *Attorney, Agent, or Firm* — McGarry Bair PC

(57) **CLAIM**  
The ornamental design for a ceiling fan light kit, as shown  
and described.

**DESCRIPTION**  
FIG. 1 is a bottom perspective view of a light kit in the  
environment of a ceiling fan according to a first embod-  
iment;  
FIG. 2 is a top perspective view of a light kit of FIG. 1;  
FIG. 3 is a bottom perspective view of the light kit of FIG.  
1;  
FIG. 4 is a side view of the light kit of FIG. 1;  
FIG. 5 is a top view of the light kit of FIG. 1;  
FIG. 6 is a bottom view of the light kit of FIG. 1;  
FIG. 7 is a top perspective view of an alternative light kit for  
the ceiling fan of FIG. 1 according to a second embodiment;  
FIG. 8 is a bottom perspective view of the light kit of FIG.  
7;  
FIG. 9 is a side view of the light kit of FIG. 7;  
FIG. 10 is a top view of the light kit of FIG. 7;  
FIG. 11 is a bottom view of the light kit of FIG. 7;  
FIG. 12 is a top perspective view of another alternative light  
kit for the ceiling fan of FIG. 1, according to a third  
embodiment;  
FIG. 13 is a bottom perspective view of the light kit of FIG.  
12;  
FIG. 14 is a side view of the light kit of FIG. 12;  
FIG. 15 is a top view of the light kit of FIG. 12;  
FIG. 16 is a bottom view of the light kit of FIG. 12;  
FIG. 17 is a top perspective view of another alternative light  
kit for the ceiling fan of FIG. 1 according to a fourth  
embodiment;  
FIG. 18 is a bottom perspective view of the light kit of FIG.  
17;  
FIG. 19 is a side view of the light kit of FIG. 17;  
FIG. 20 is a top view of the light kit of FIG. 17; and,  
FIG. 21 is a bottom view of the light kit of FIG. 17.  
The broken lines depict environmental subject matter only  
and form no part of the claim.

**1 Claim, 17 Drawing Sheets**



(58) **Field of Classification Search**  
 USPC ..... D26/77, 78, 88, 128–138, 74, 85, 104,  
 D26/105, 110, 112  
 CPC ..... F24F 13/078; F04D 25/088; E04B 9/02  
 See application file for complete search history.

(56) **References Cited**

U.S. PATENT DOCUMENTS

D60,716 S \* 3/1922 Ainsworth ..... D26/88  
 D65,263 S \* 7/1924 Gillinder ..... D26/132  
 D66,993 S \* 4/1925 Verhunce ..... D26/132  
 D71,843 S \* 1/1927 MacDougall ..... D26/132  
 D92,597 S \* 6/1934 Glatthar ..... D26/133  
 D94,686 S \* 2/1935 Guild et al. .... D26/88  
 D96,957 S \* 9/1935 Canning ..... D22/123  
 D97,997 S \* 12/1935 Glatthar ..... D26/88  
 2,043,193 A \* 6/1936 Dunn et al. .... F21V 5/00  
 362/355  
 D121,585 S \* 7/1940 Critoph ..... D26/63  
 D135,599 S \* 4/1943 Spear ..... 416/244 R  
 D149,133 S \* 3/1948 Kisling ..... D23/377  
 D155,714 S \* 10/1949 Kisling ..... D23/377  
 D155,801 S \* 11/1949 Grover ..... D23/377  
 D280,242 S \* 8/1985 Burket ..... D26/134  
 D285,720 S \* 9/1986 Markwardt  
 D352,552 S \* 11/1994 Oyama ..... D23/377  
 D384,739 S \* 10/1997 Dolan ..... D23/377  
 D391,657 S \* 3/1998 Compton ..... D26/68  
 D397,482 S \* 8/1998 Binsukor ..... D26/85  
 D400,278 S \* 10/1998 Binsukor ..... D26/67  
 D510,620 S \* 10/2005 Young ..... D23/377  
 D515,686 S \* 2/2006 Young ..... D23/377  
 D516,199 S \* 2/2006 Frampton ..... D23/411  
 D516,704 S \* 3/2006 Pickett ..... D23/411  
 D526,715 S \* 8/2006 Glasbrenner  
 D529,602 S \* 10/2006 Glasbrenner  
 D530,039 S \* 10/2006 Blackman ..... D26/85  
 D539,896 S \* 4/2007 Pan ..... D23/411  
 D547,436 S \* 7/2007 Shurtleff  
 D552,228 S \* 10/2007 Ertze  
 D553,731 S \* 10/2007 Bucher ..... D23/411  
 D553,787 S \* 10/2007 Hammond ..... D26/88  
 D562,972 S \* 2/2008 Pickett ..... D23/411  
 D563,543 S \* 3/2008 Pickett  
 D581,040 S \* 11/2008 Pickett  
 D581,509 S \* 11/2008 Marshall ..... D23/377  
 D586,452 S \* 2/2009 Orozco ..... D23/377  
 D603,537 S \* 11/2009 Rowehl ..... D26/36  
 D609,836 S \* 2/2010 Chen ..... D26/59  
 D625,447 S \* 10/2010 Brown ..... D26/49  
 D627,456 S \* 11/2010 Glasbrenner  
 D641,096 S \* 7/2011 Markle ..... D26/88  
 D642,716 S \* 8/2011 Spaccasassi ..... D26/63  
 D658,801 S \* 5/2012 Yon ..... D26/72  
 D675,722 S \* 2/2013 Frank ..... D23/384  
 D686,771 S \* 7/2013 Lastimosa ..... D26/88  
 D698,991 S \* 2/2014 Tregilgas ..... D26/136  
 D700,984 S \* 3/2014 Yang ..... D26/59  
 D706,482 S \* 6/2014 Pan ..... D26/136  
 D706,918 S \* 6/2014 Wang ..... D23/411  
 D706,919 S \* 6/2014 Wang ..... D23/411  
 D708,314 S \* 7/2014 Pan ..... D23/377  
 D710,490 S \* 8/2014 Shurtleff ..... D23/411

D728,775 S \* 5/2015 Gajewski ..... D23/411  
 D744,081 S \* 11/2015 Wang  
 D779,093 S \* 2/2017 Gajewski ..... F21V 5/00  
 D23/411  
 D791,396 S \* 7/2017 Yang ..... D26/118  
 D799,020 S \* 10/2017 Guthrie ..... D23/377  
 D801,515 S \* 10/2017 Wang ..... D23/411  
 D806,226 S \* 12/2017 Gajewski ..... D23/411  
 D806,852 S \* 1/2018 Holmes ..... F21V 5/00  
 D23/377  
 D810,981 S \* 2/2018 McRoberts ..... D26/59  
 D811,577 S \* 2/2018 Yang ..... D23/411  
 D821,008 S \* 6/2018 Guthrie ..... D26/59  
 D822,192 S \* 7/2018 Hagggar ..... D23/411

OTHER PUBLICATIONS

Walmart.com, Mainstays 8" Sonoma Stripe Bowl—Multicolor, undated online product page, retrieved May 15, 2019 from (Year: 2019).\*  
 Hernandez J., School of decorating, Going Old School {DIY School Light}, Jul. 24, 2013, online blog post, Retrieved May 15, 2019 from (Year: 2013).\*  
 Schoolhouse.com, Large Drum Shade—Gray Bands, Mar. 2017, online product page retrieved from Archive.org on May 15, 2019 (Year: 2017).\*  
 Barnlightelectric.com, Schoolhouse lighting a sweet look for chocolate lounge, Dec. 17, 2014, online blog post, retrieved May 16, 2019 from <URL:https://blog.barnlightelectric.com/featured-customer-schoolhouse-lighting-a-sweet-look-for-chocolate-lounge/> (Year: 2014).\*  
 Wither Studio, Schoolhouse Light, Oct. 27, 2004, turbosquid.com, retrieved Sep. 20, 2019 from <URL:https://www.turbosquid.com/3d-models/schoolhouse-light-3d-model/245566> (Year: 2004).\*  
<http://www.montecarlofans.com/21310/52-Weatherford-Deluxe-Outdoor-Fan-Roman-Bronze-5WF52RBD.html>, Item Specification for the Monte Carlo 52" Weatherford Deluxe Outdoor Fan, 5WF52RBD-L, accessed Apr. 2, 2017.  
<http://www.kichler.com/products/product/52-inch-monarch-ii-select-fan-oz-339213oz.aspx>, Item Specification for Kichler Monarch II Select Collection, 52 Inch Monarch II Select Fan OZ, Item 339213OZ, accessed Apr. 2, 2017.  
<http://www.hunterfan.com/Ceiling-Fans/Newsome-Low-Profile?ModelNumber=51080>, Item Specification for Newsome LP—42" Ceiling Fan, Item 51080, accessed Apr. 2, 2017.  
[https://www.amazon.com/Hampton-Bay-Middleton-Ceiling-White-OB/dp/B00UM7UGPK/ref=sr\\_1\\_2?ie=UTF8&qid=1491158071&sr=8-2&keywords=white+42+inch+ceiling+fan&refinements=p\\_89%3AHampton+Bay](https://www.amazon.com/Hampton-Bay-Middleton-Ceiling-White-OB/dp/B00UM7UGPK/ref=sr_1_2?ie=UTF8&qid=1491158071&sr=8-2&keywords=white+42+inch+ceiling+fan&refinements=p_89%3AHampton+Bay), Item Specification for Hampton Bay Middleton 42" Ceiling Fan, Item No. 121079 UE42VWH-SHB, accessed Apr. 2, 2017.  
<http://www.homedepot.com/p/Hampton-Bay-Littleton-42-in-White-Ceiling-Fan-UB42SWH-SH/204492480>, Item Specification for Hampton Bay Littleton 42 in. White Ceiling Fan, Item No. UB42SWH-SH, accessed Apr. 2, 2017.  
<http://www.kingoffans.com/photos/manuals/20.pdf>, Owner's Manual for King of Fans Sibley 52 in Ceiling Fan, accessed Apr. 2, 2017.  
<http://www.kingoffans.com/photos/manuals/107.pdf>, Owner's Manual for King of Fans Carlisle 52" Ceiling Fan, Model No. EF200S (H)—52, accessed Apr. 2, 2017.

\* cited by examiner

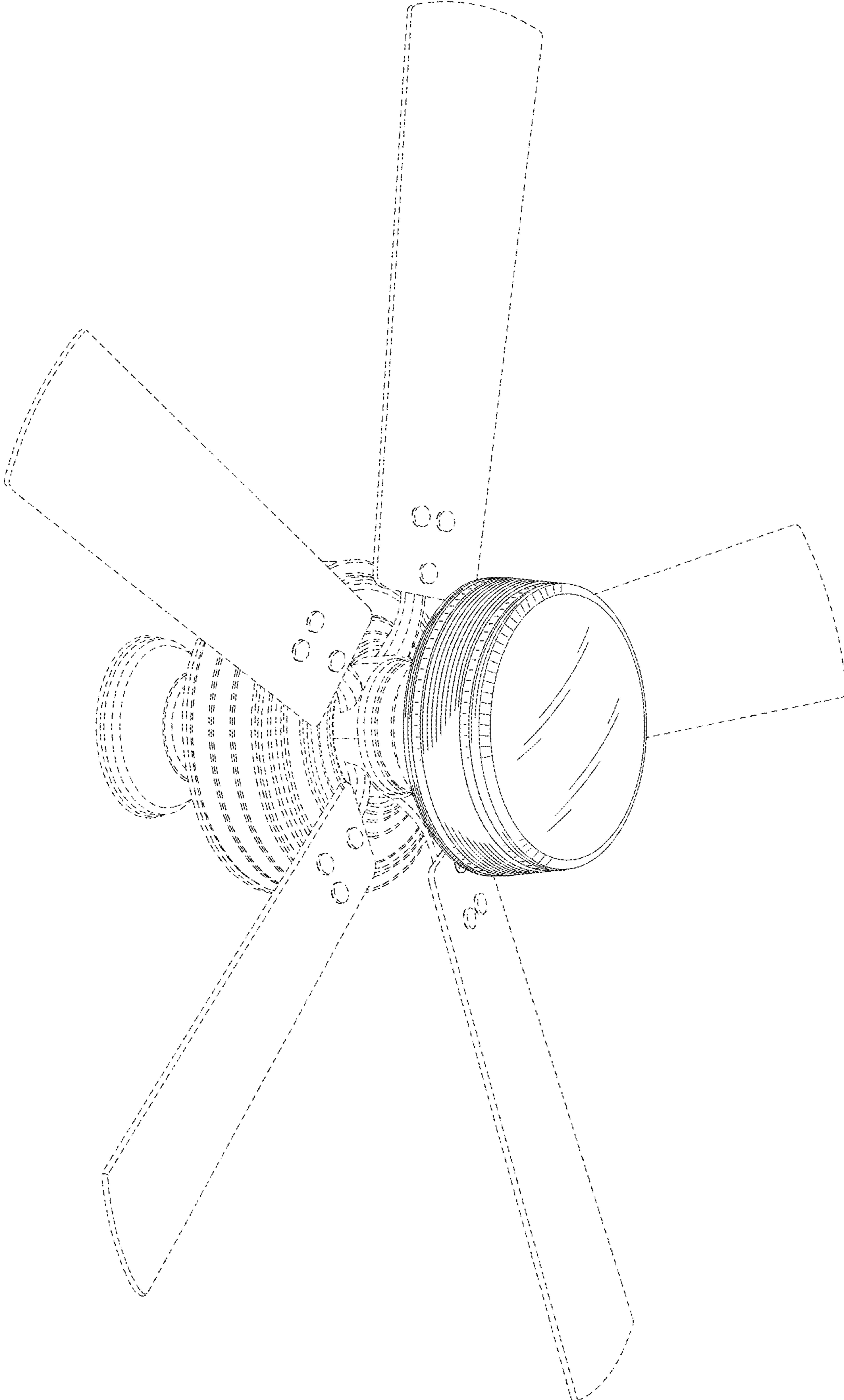


FIG. 1

FIG.2

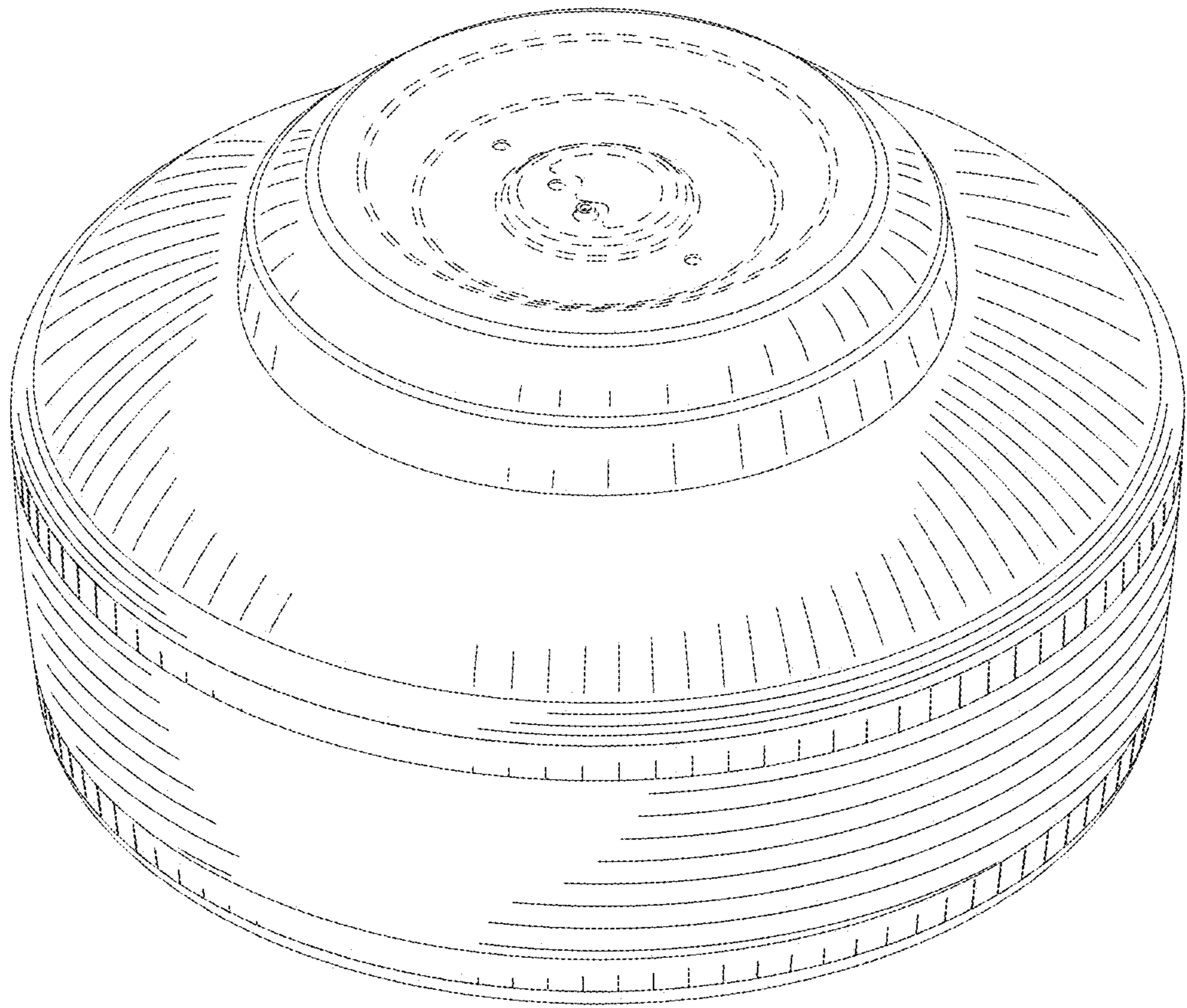
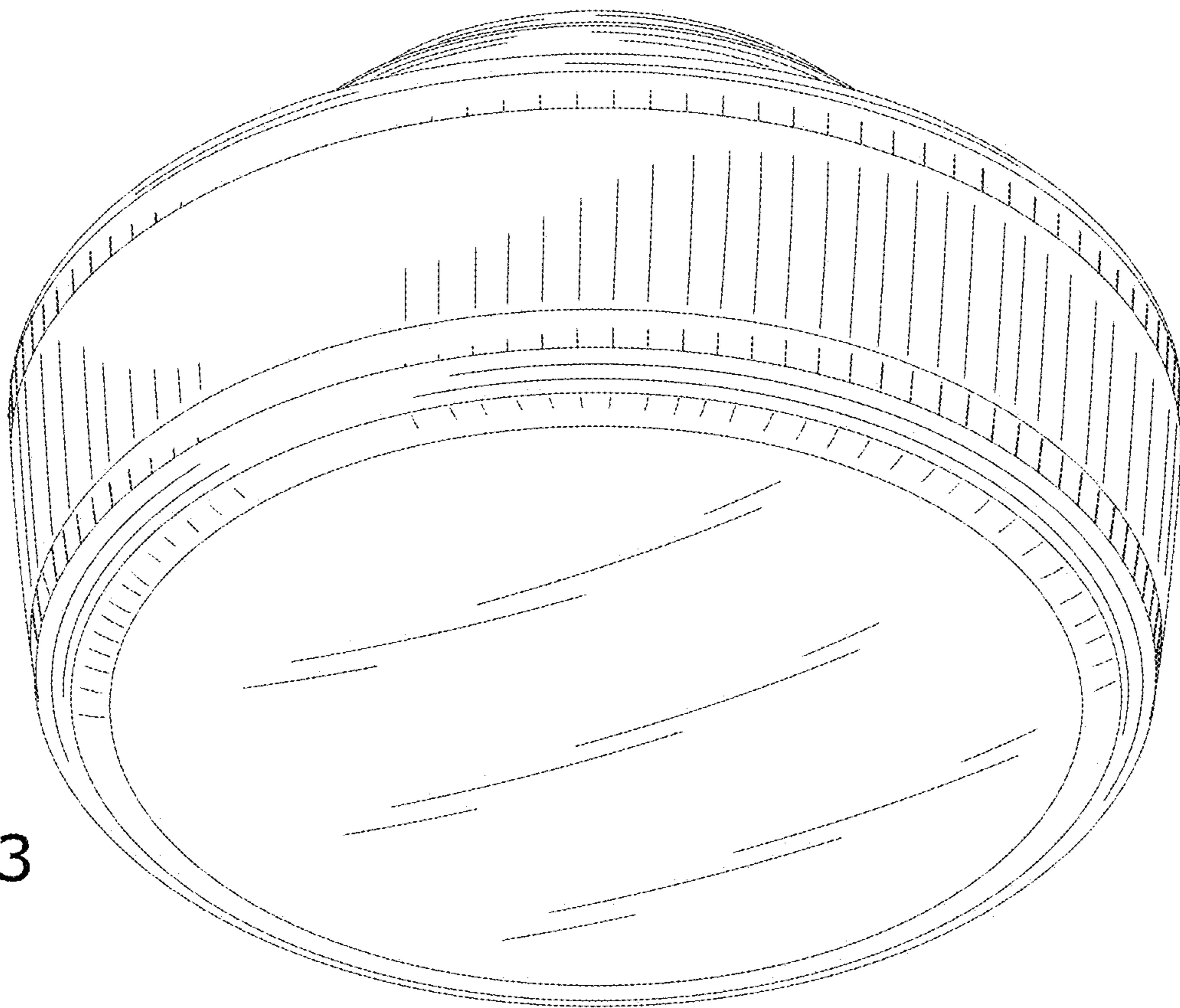


FIG.3



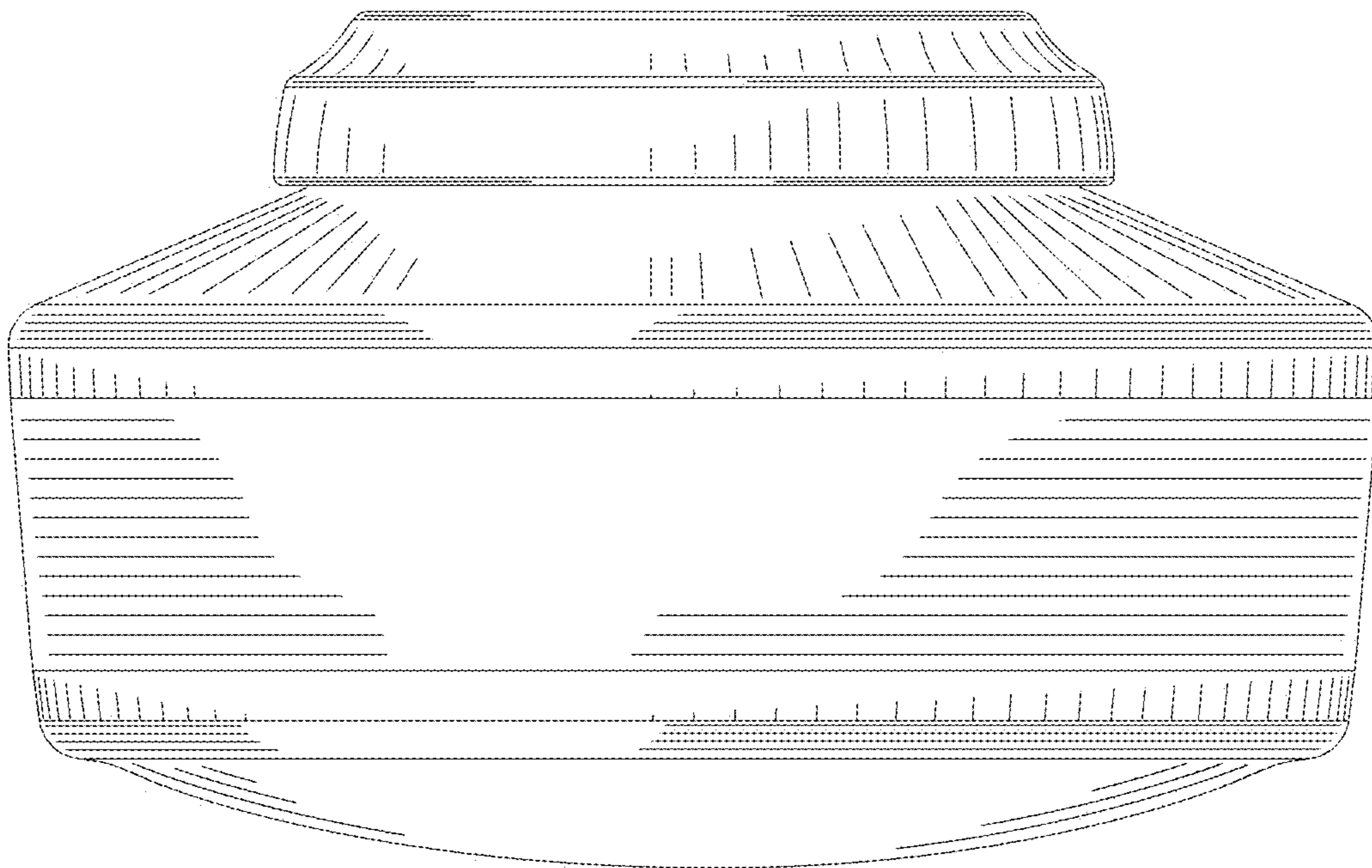


FIG.4

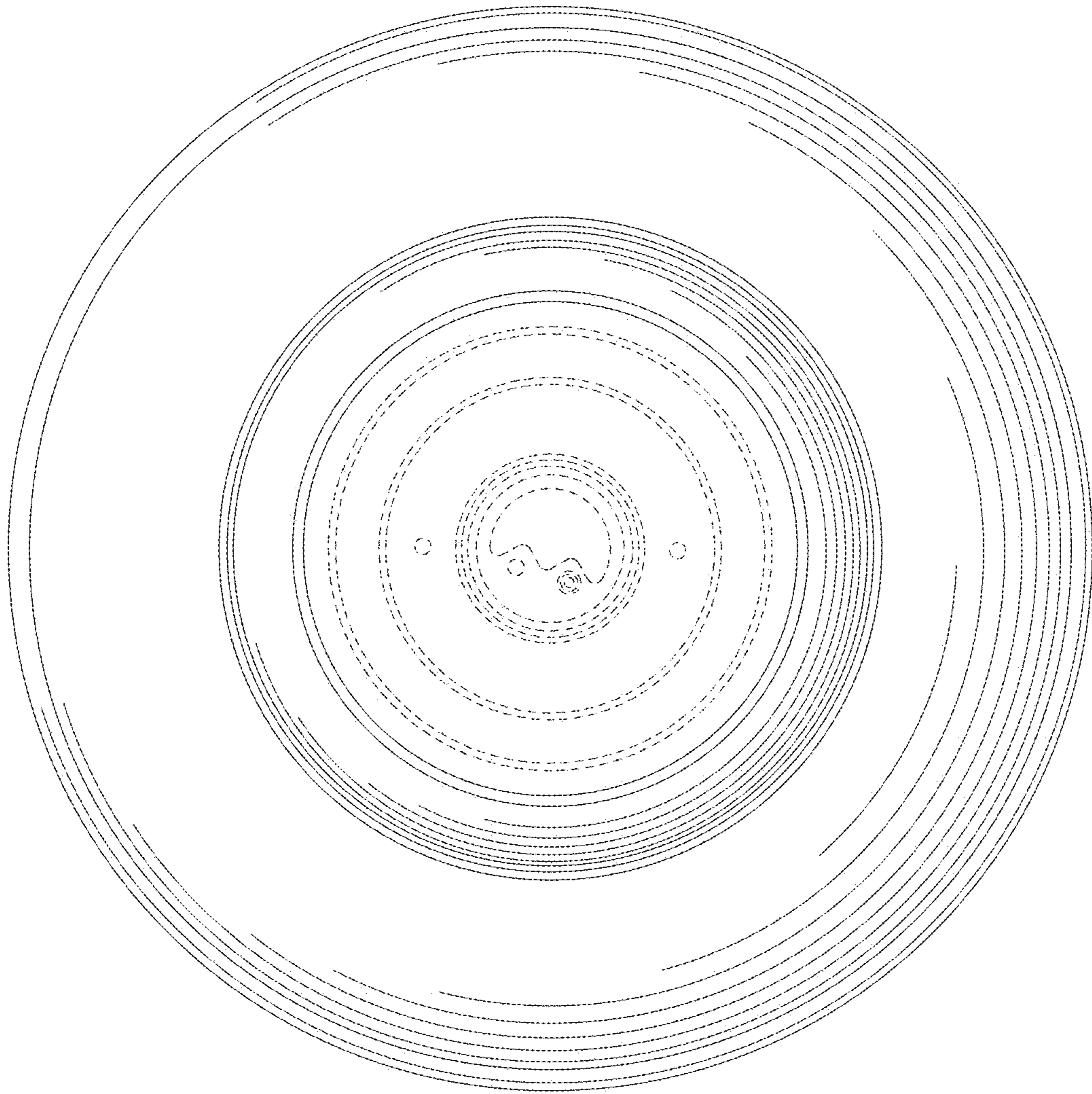


FIG.5

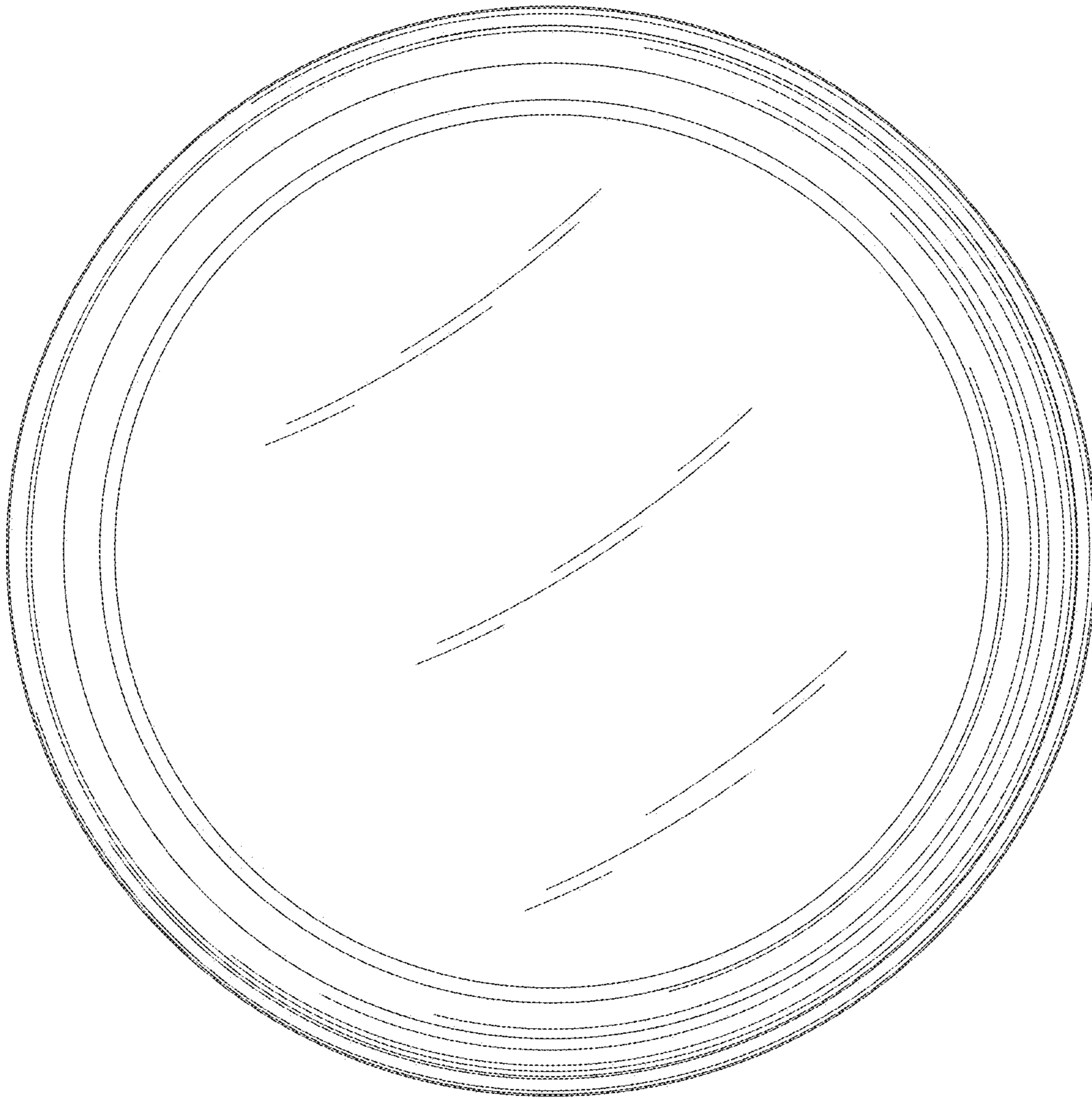


FIG.6

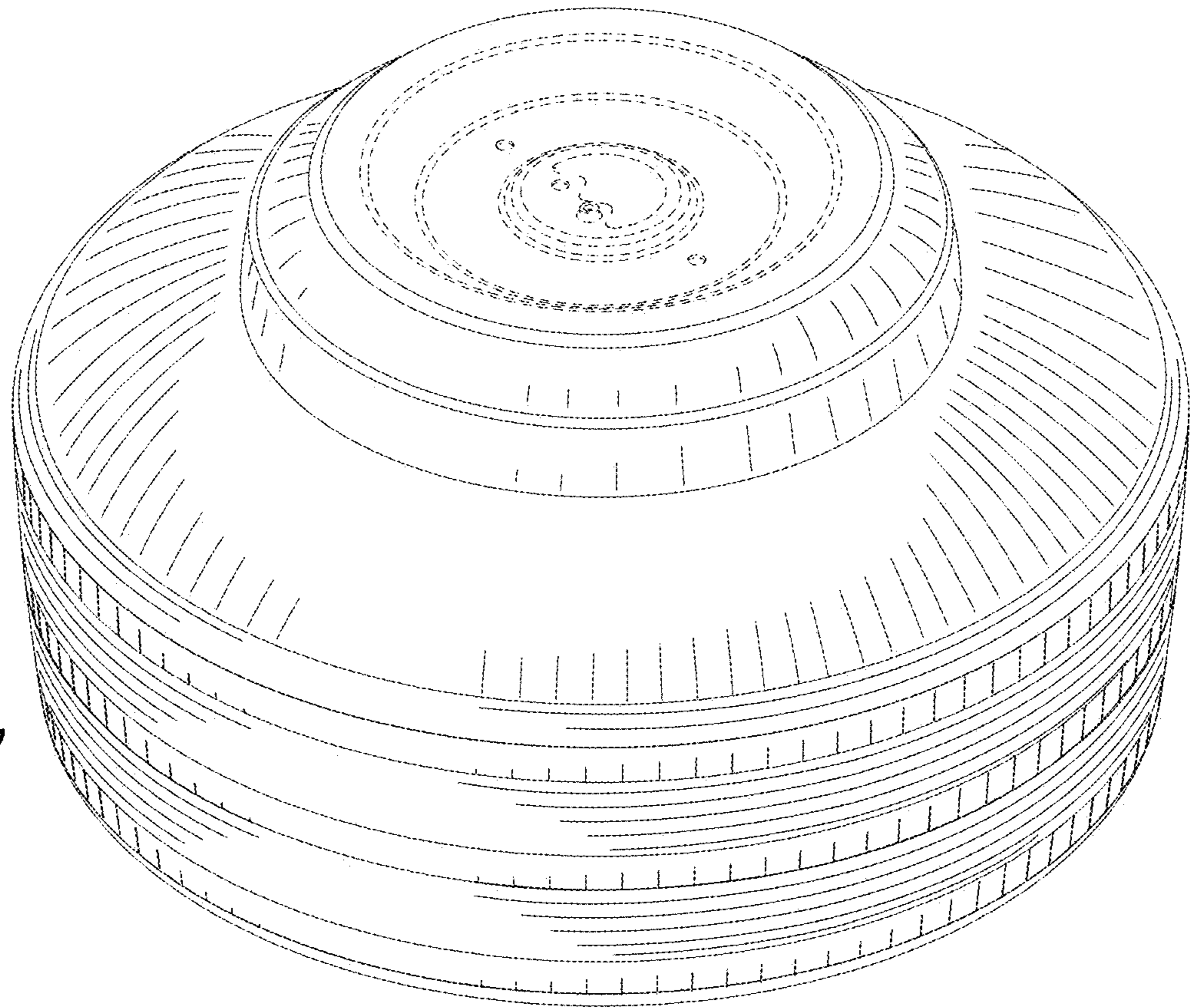


FIG. 7

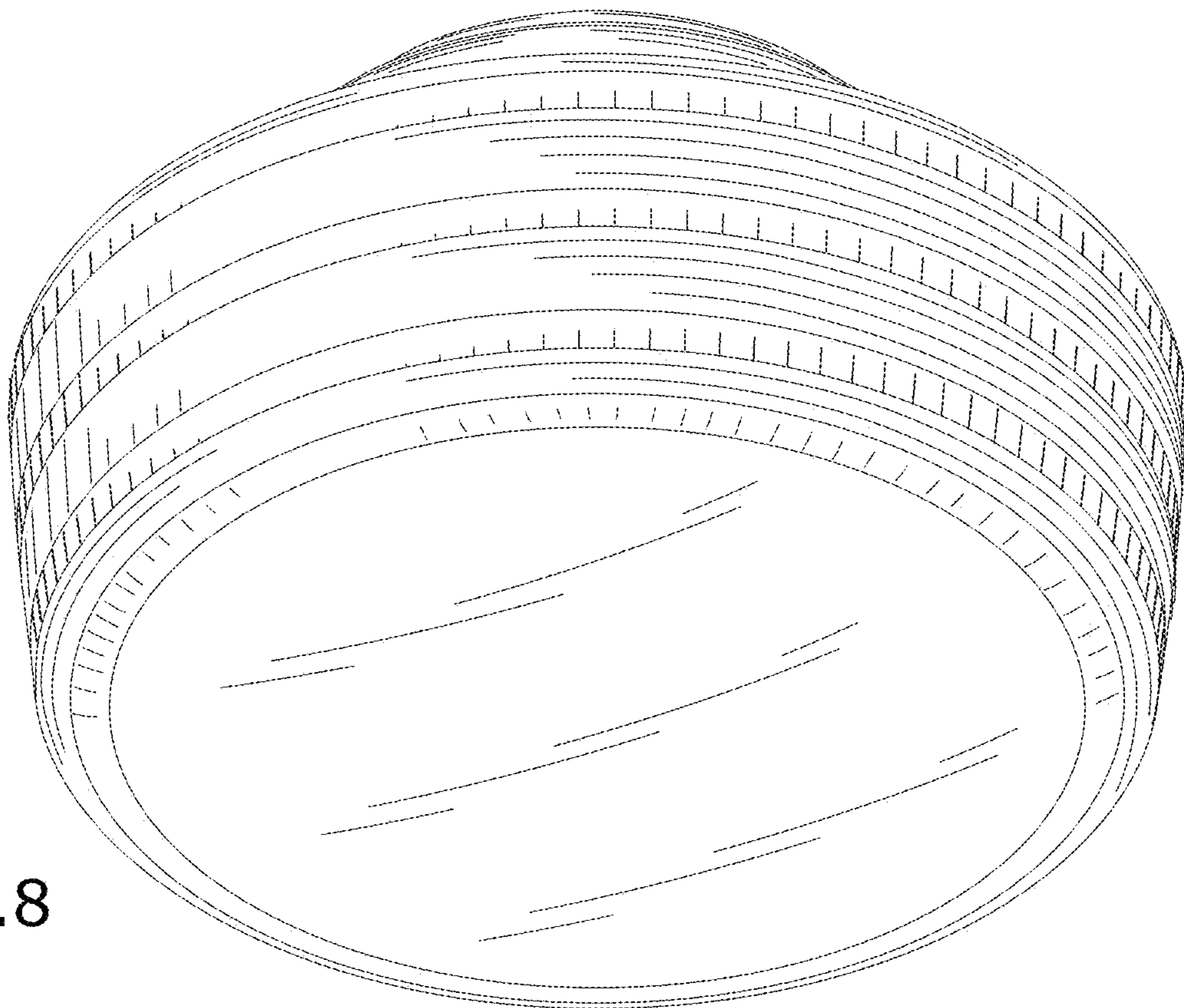


FIG. 8



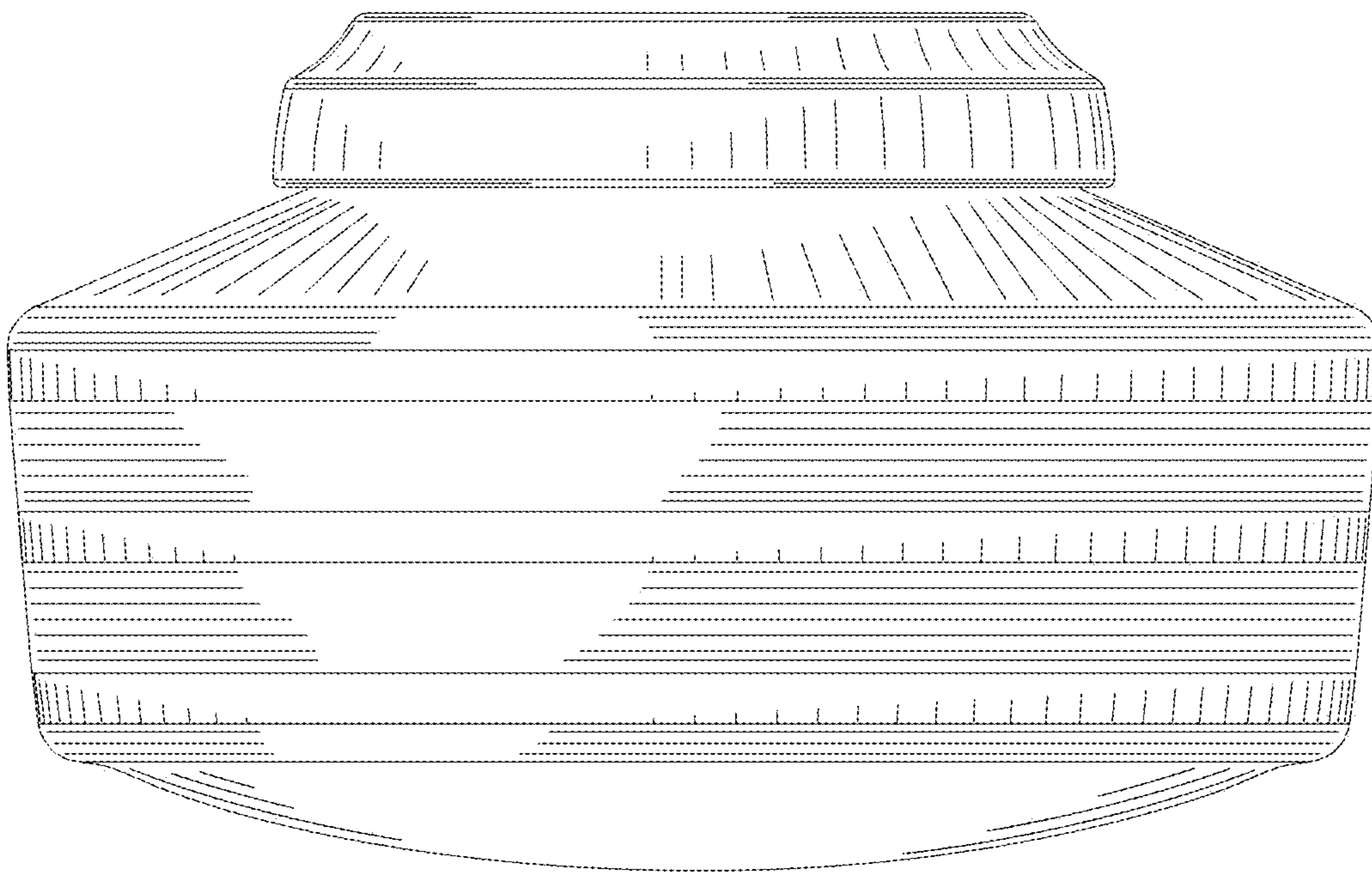


FIG. 9

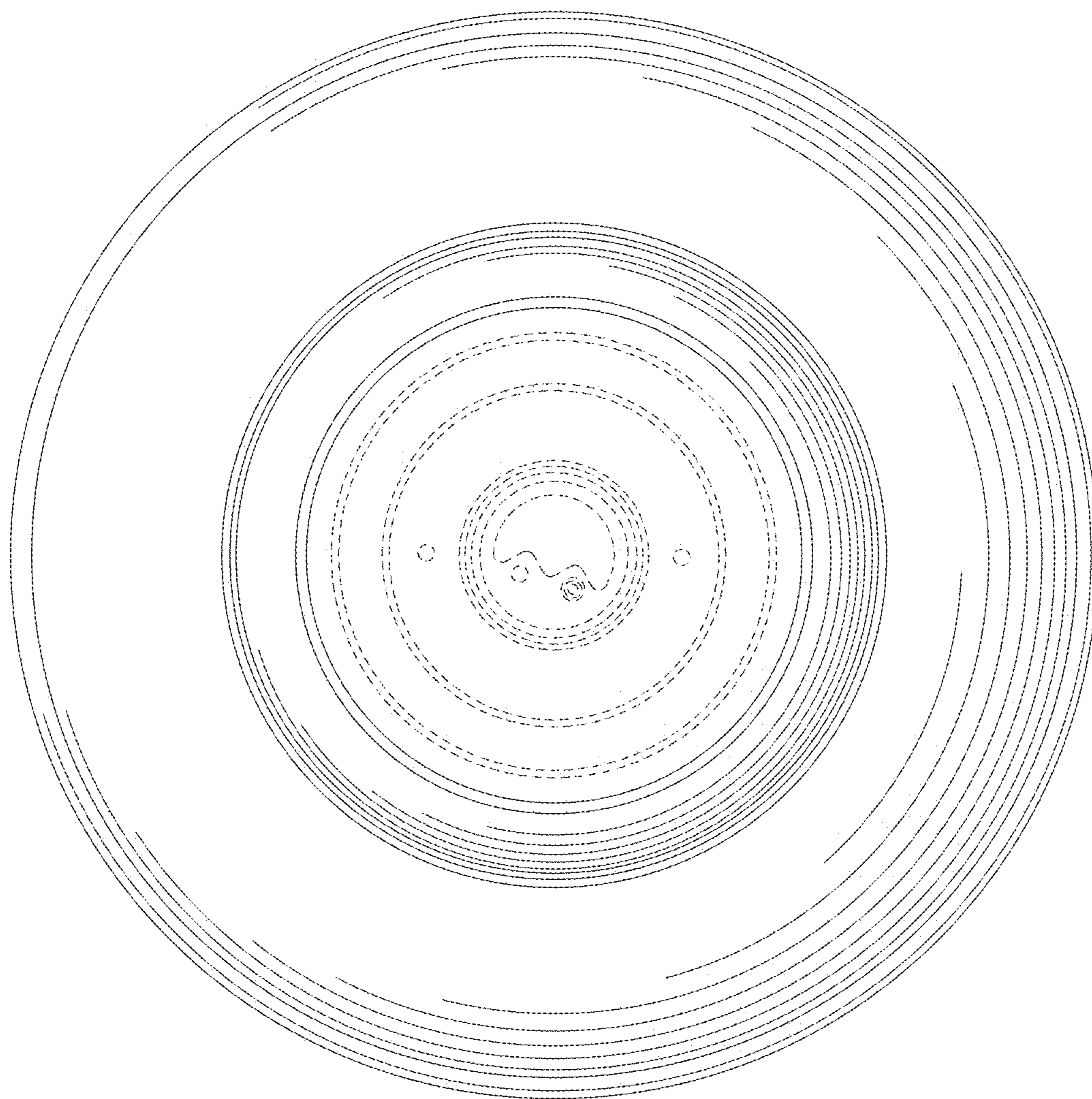


FIG.10

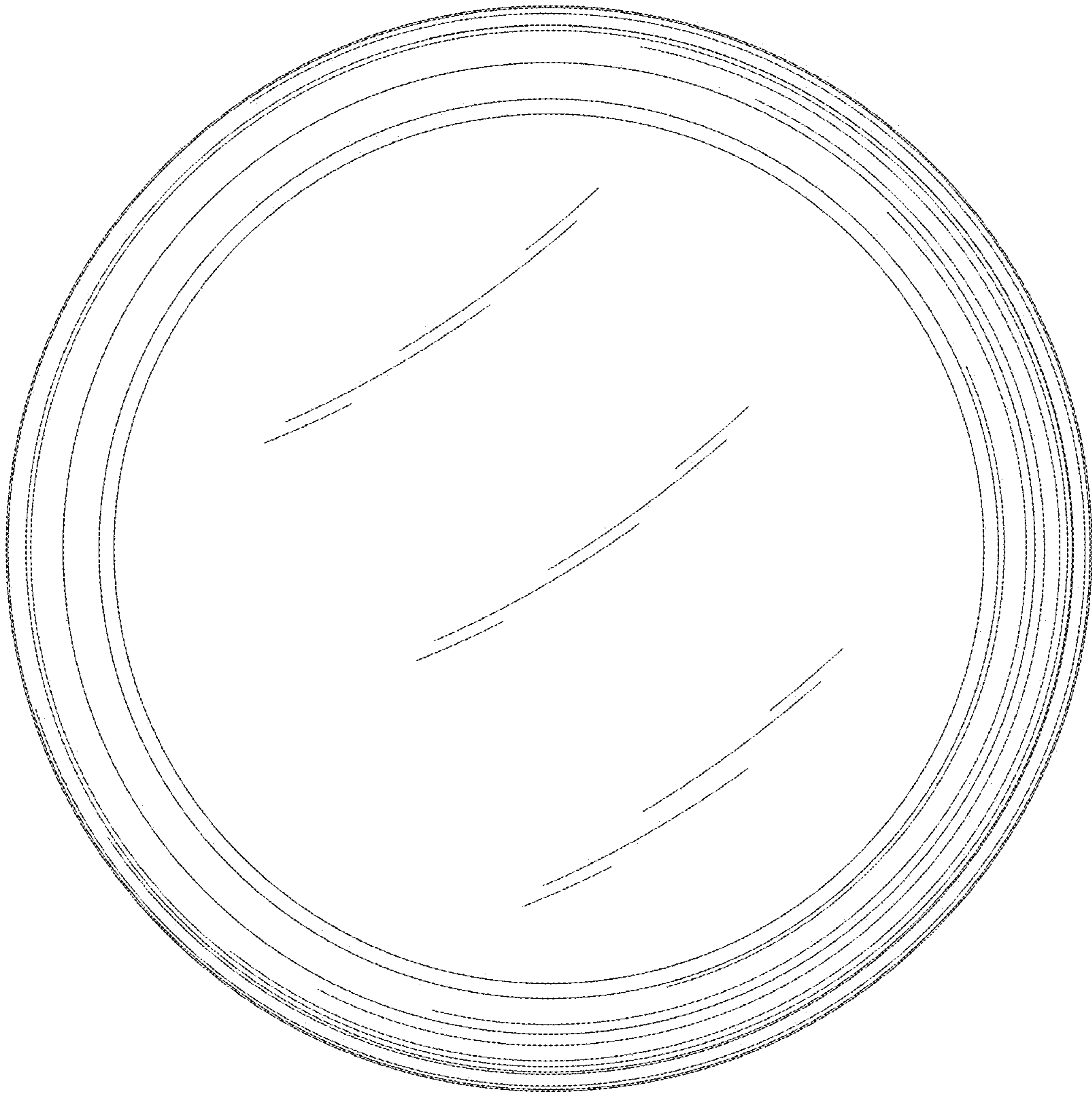


FIG.11

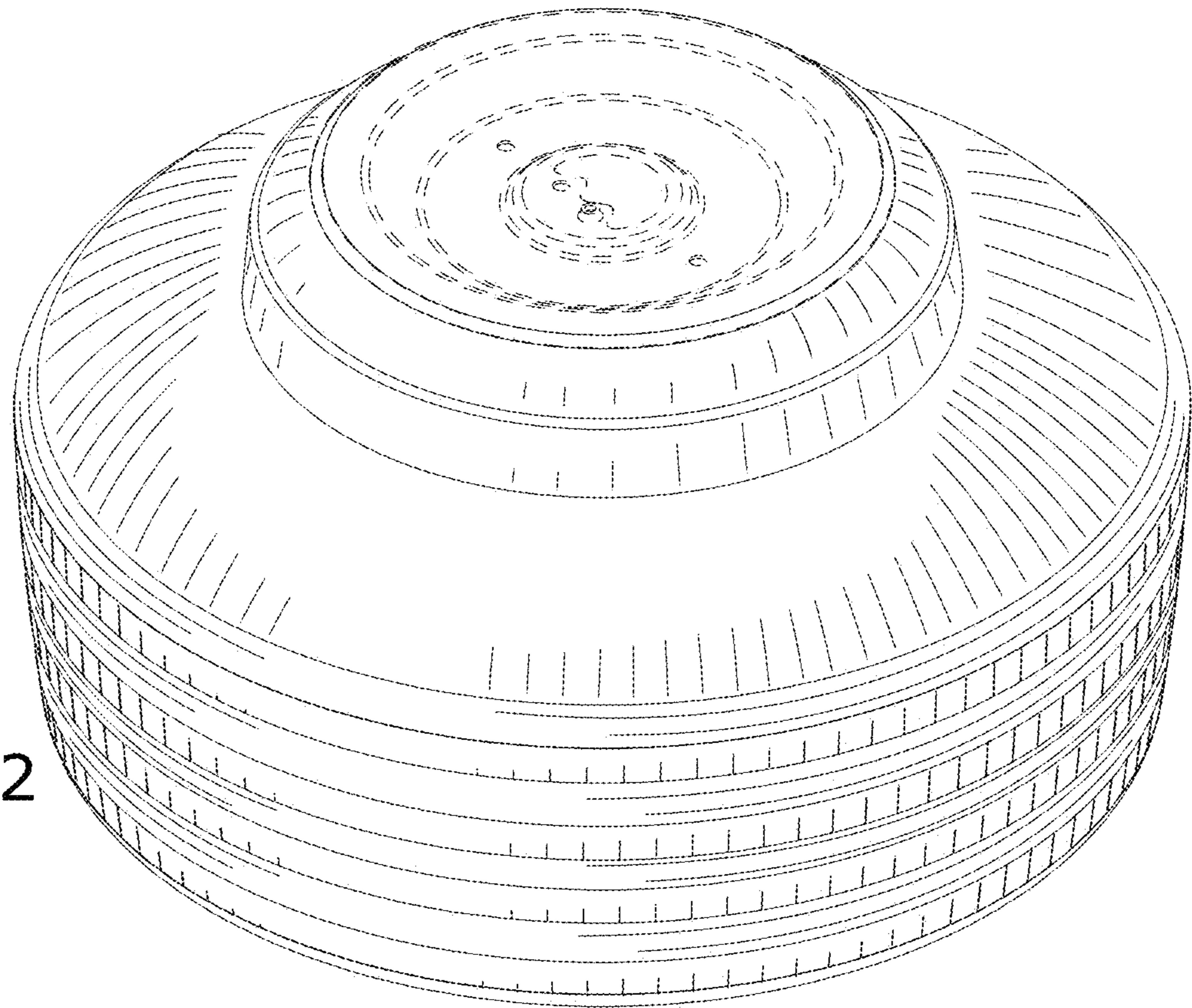


FIG. 12

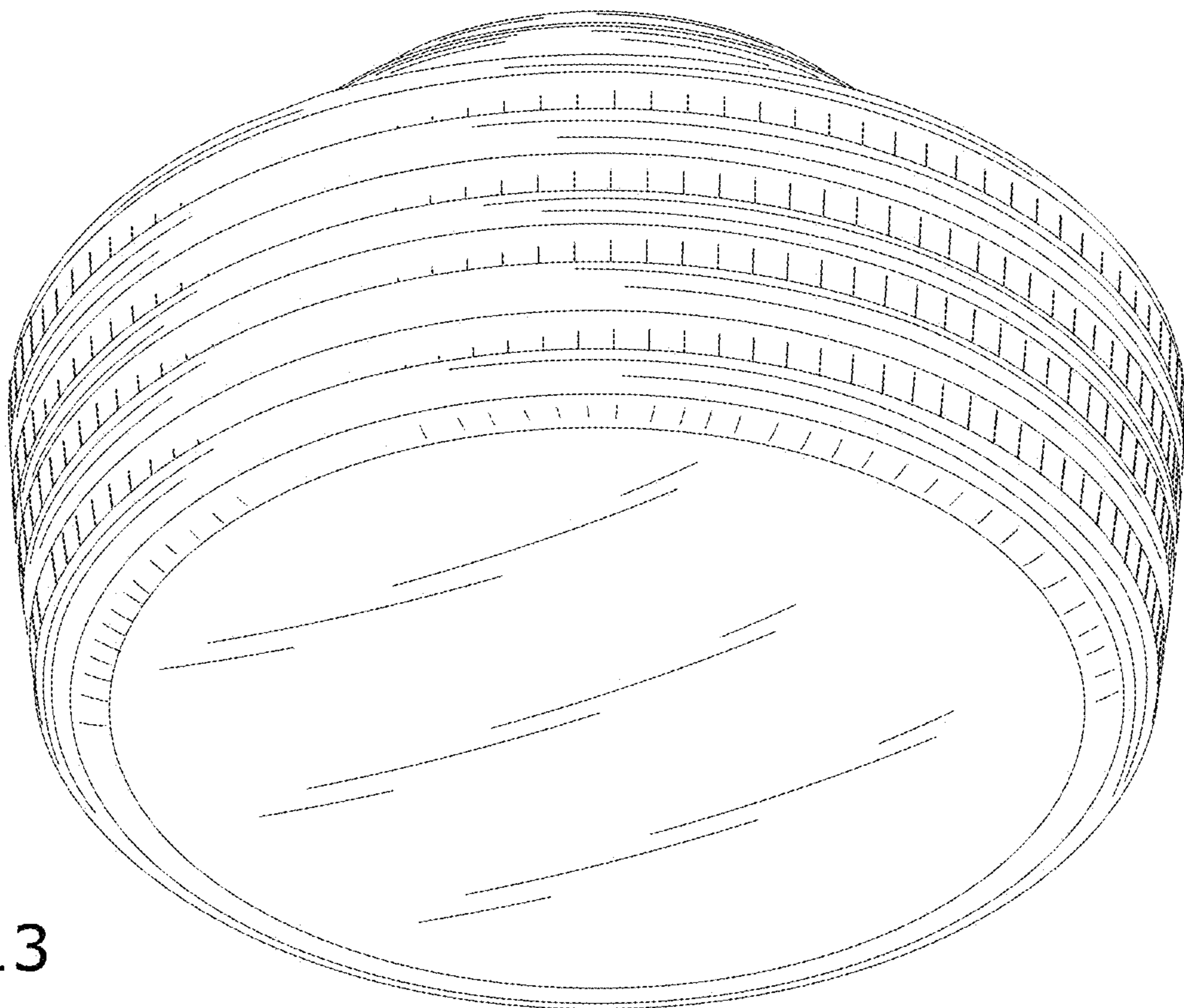


FIG. 13

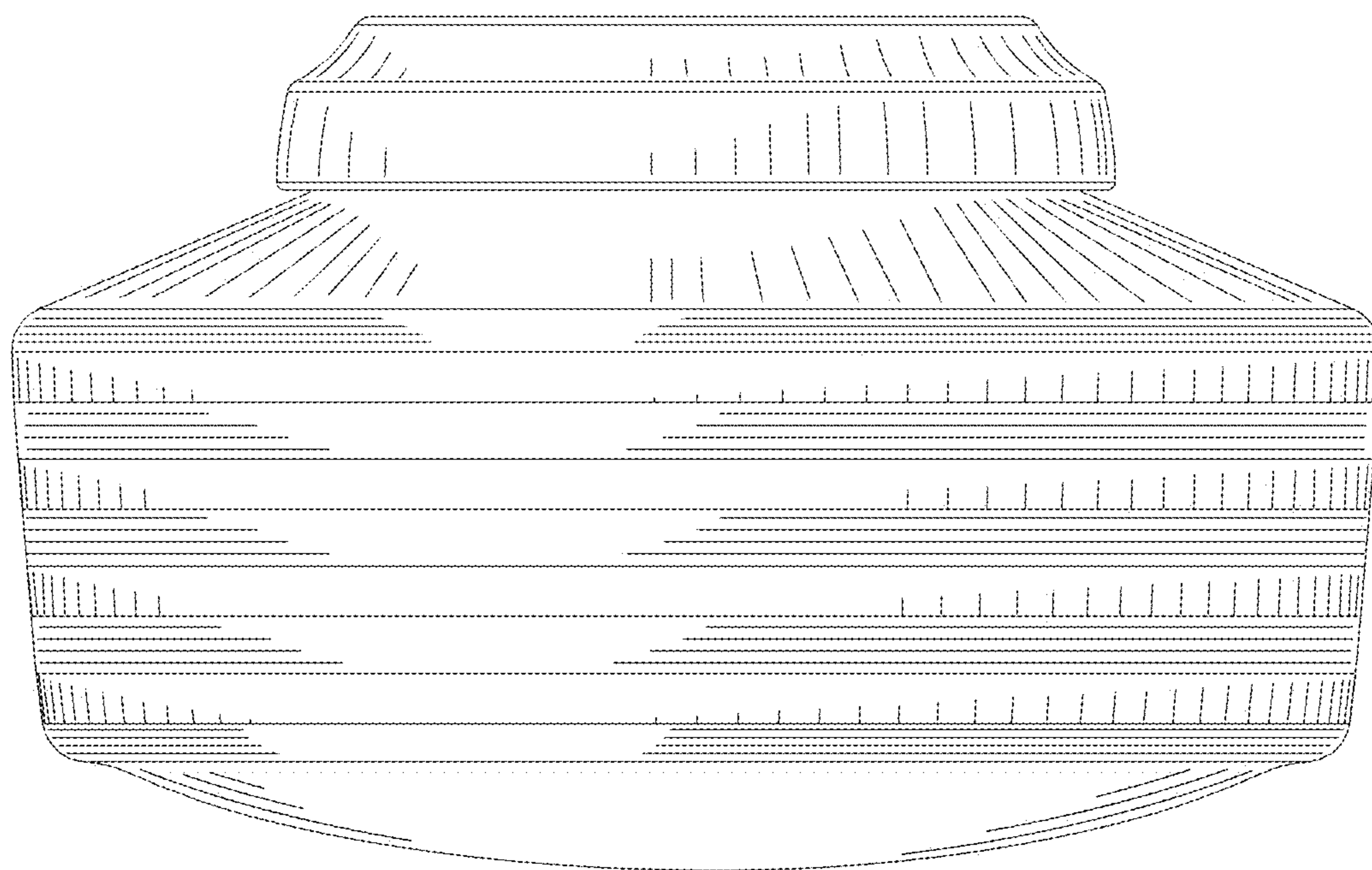


FIG. 14

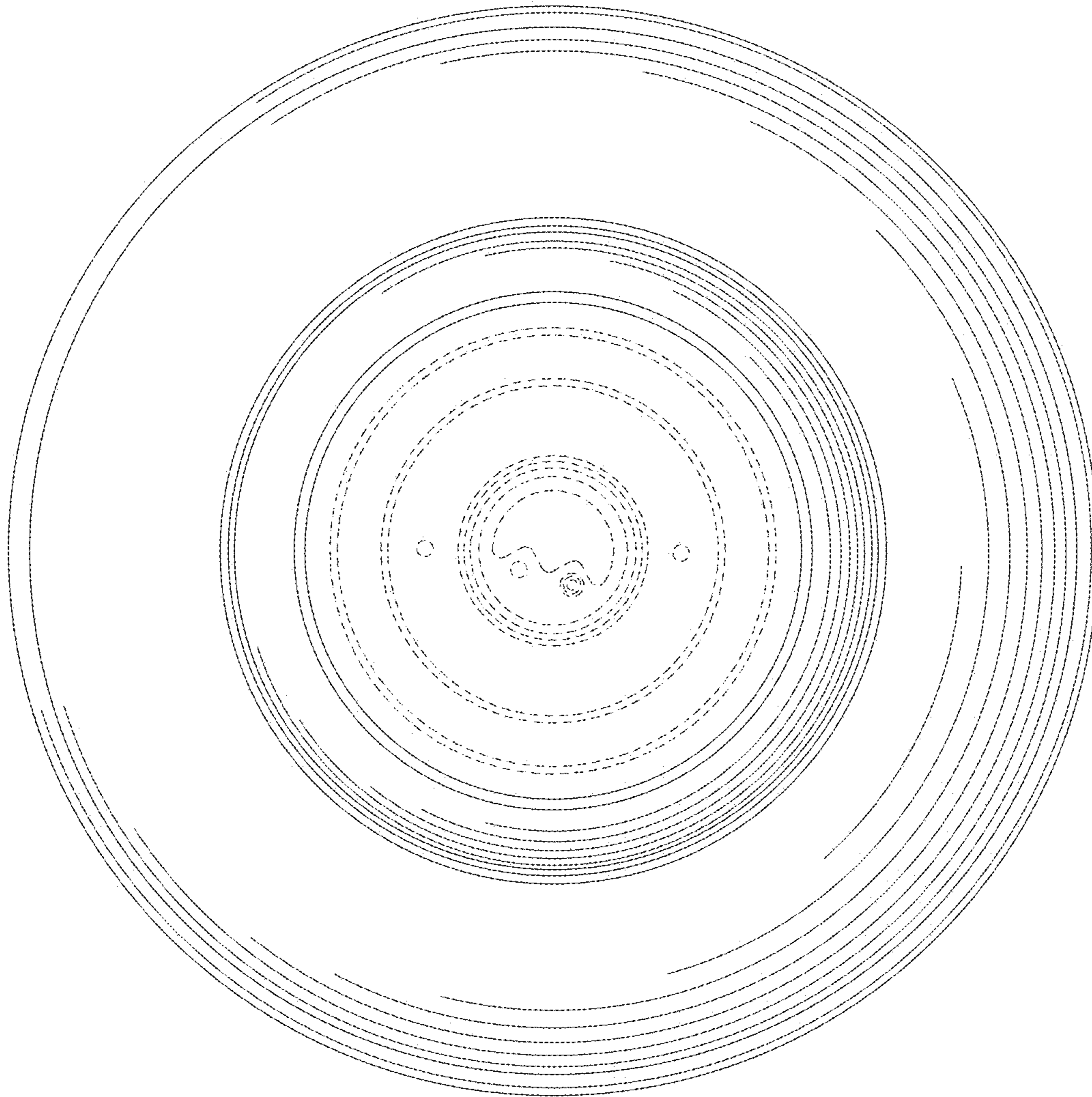


FIG.15

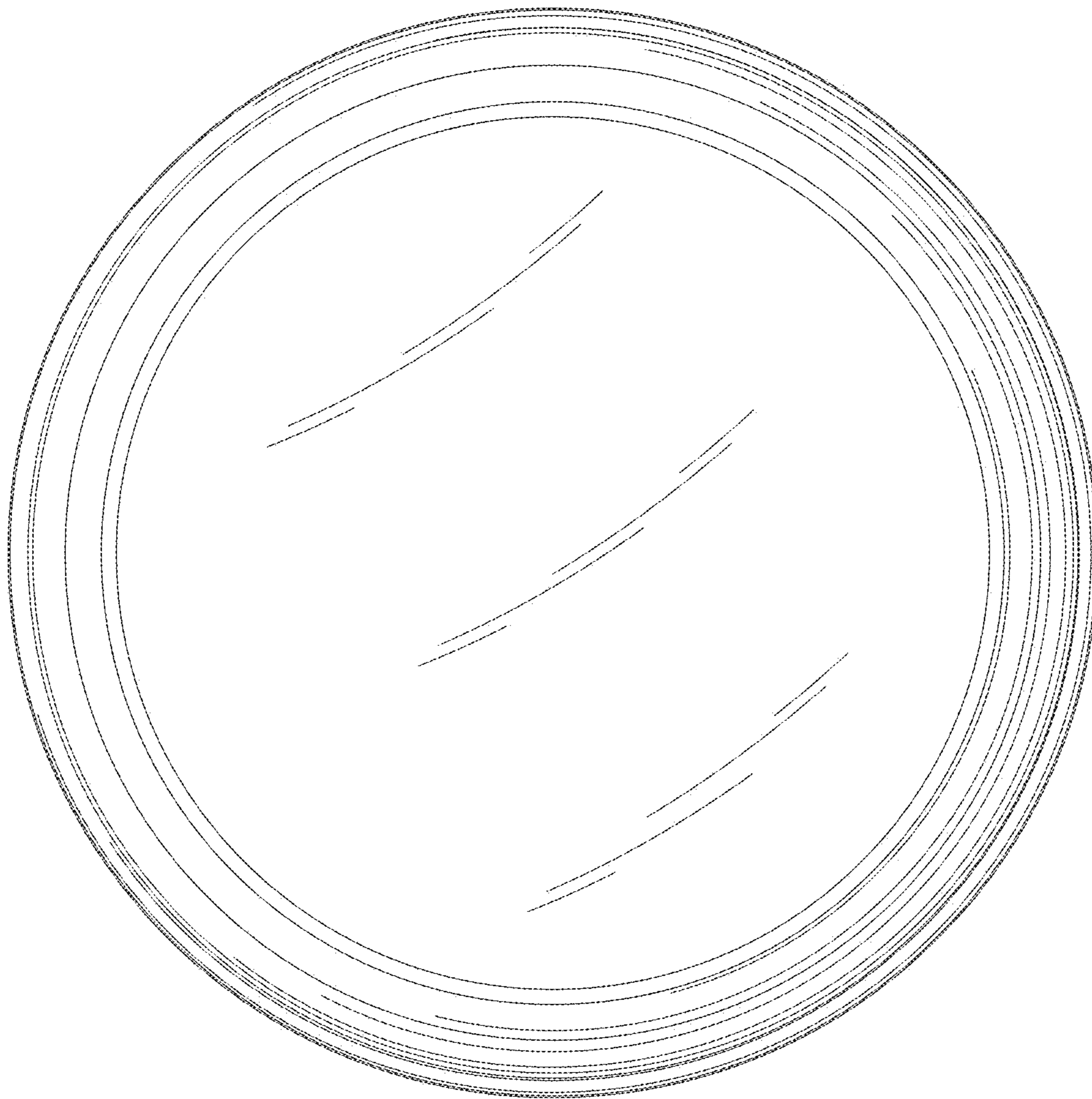


FIG.16

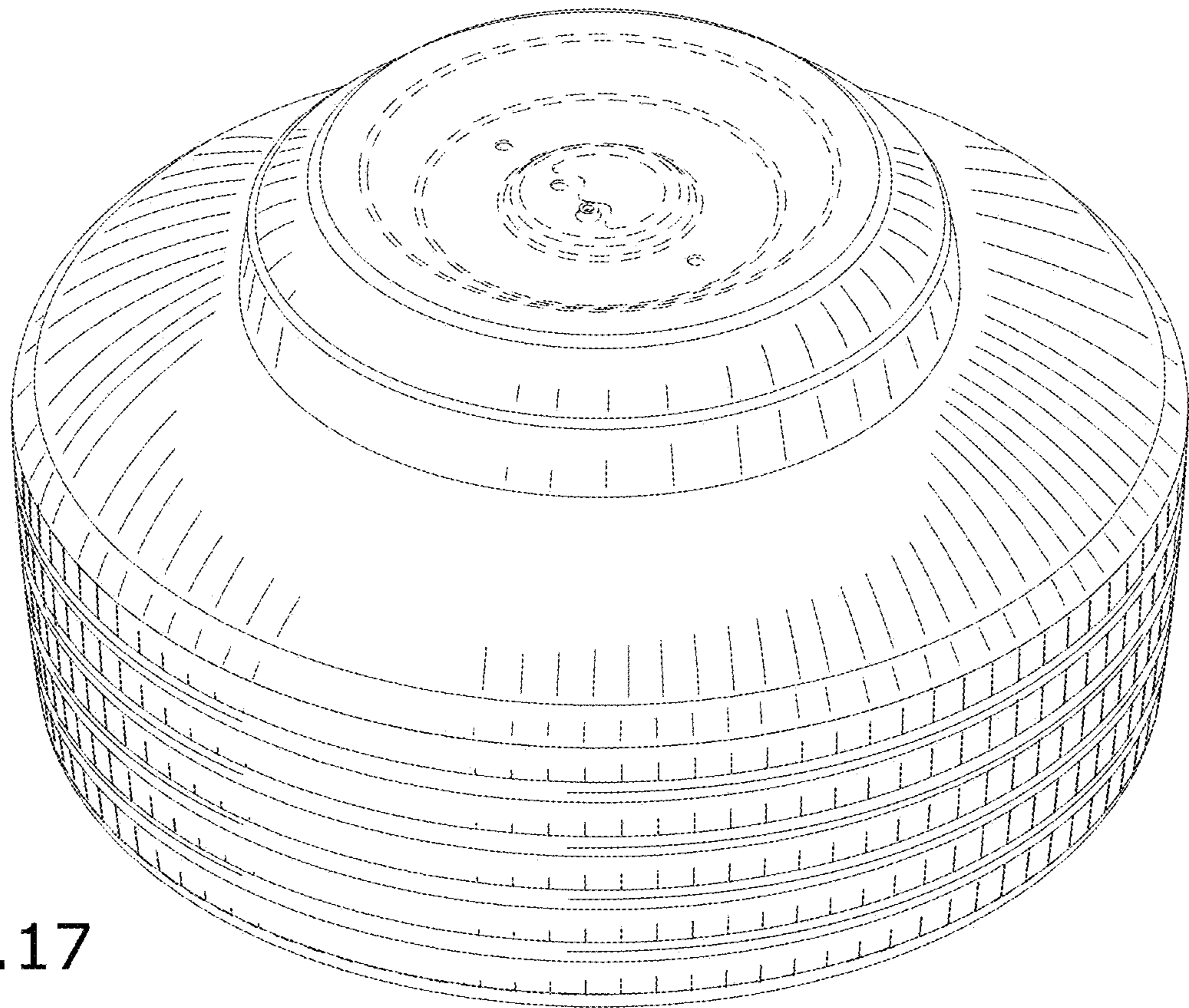


FIG. 17

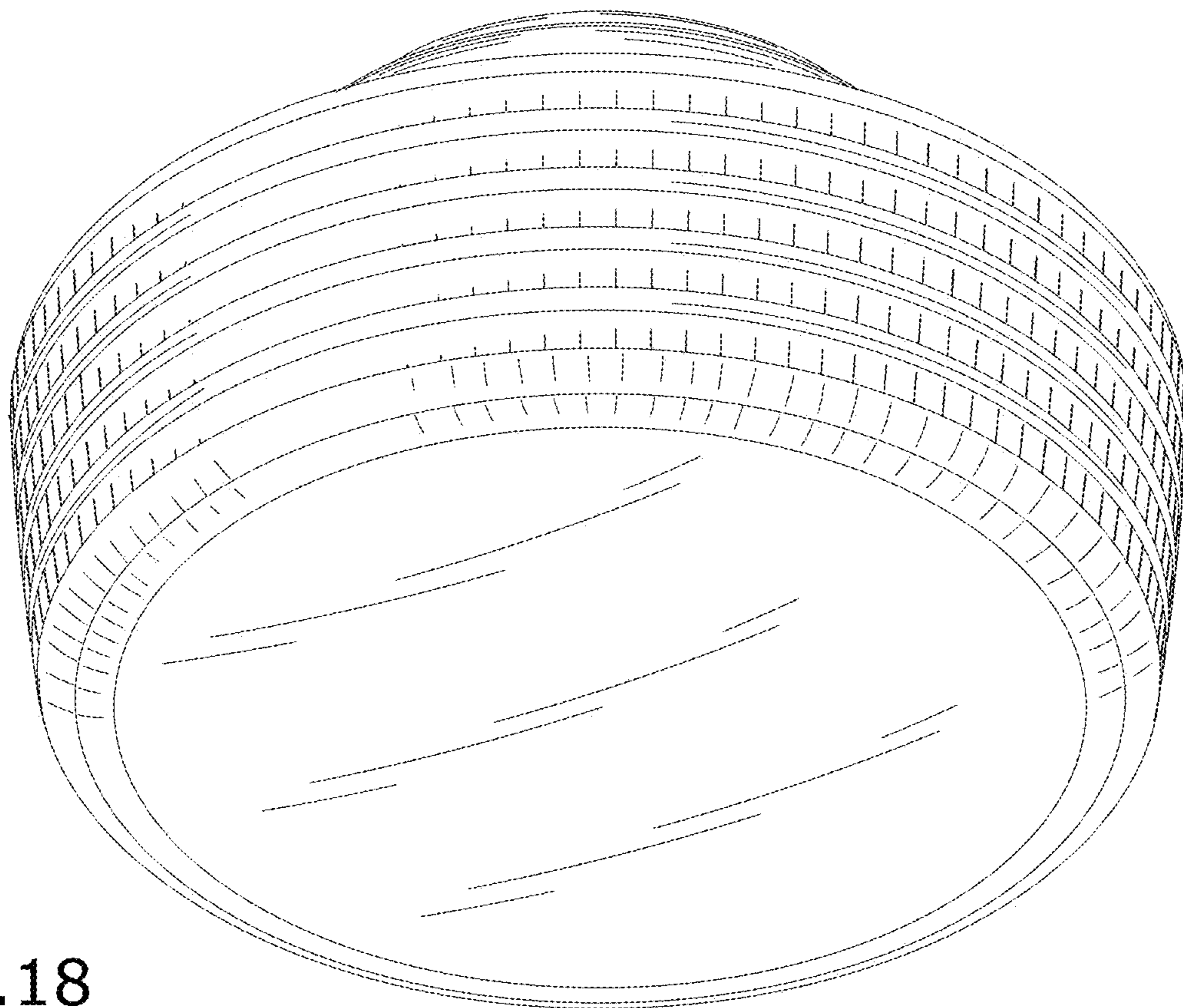


FIG. 18



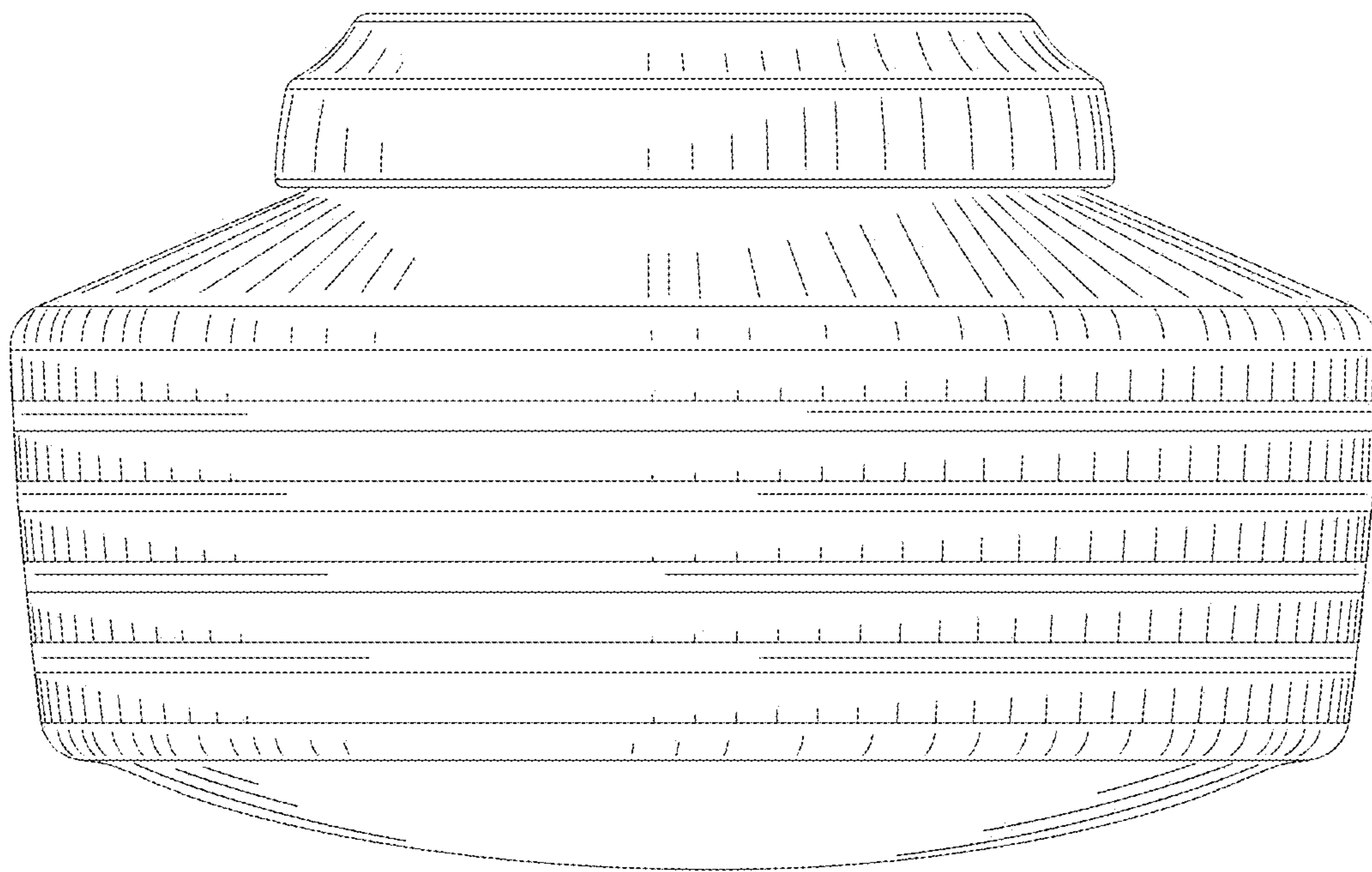


FIG. 19

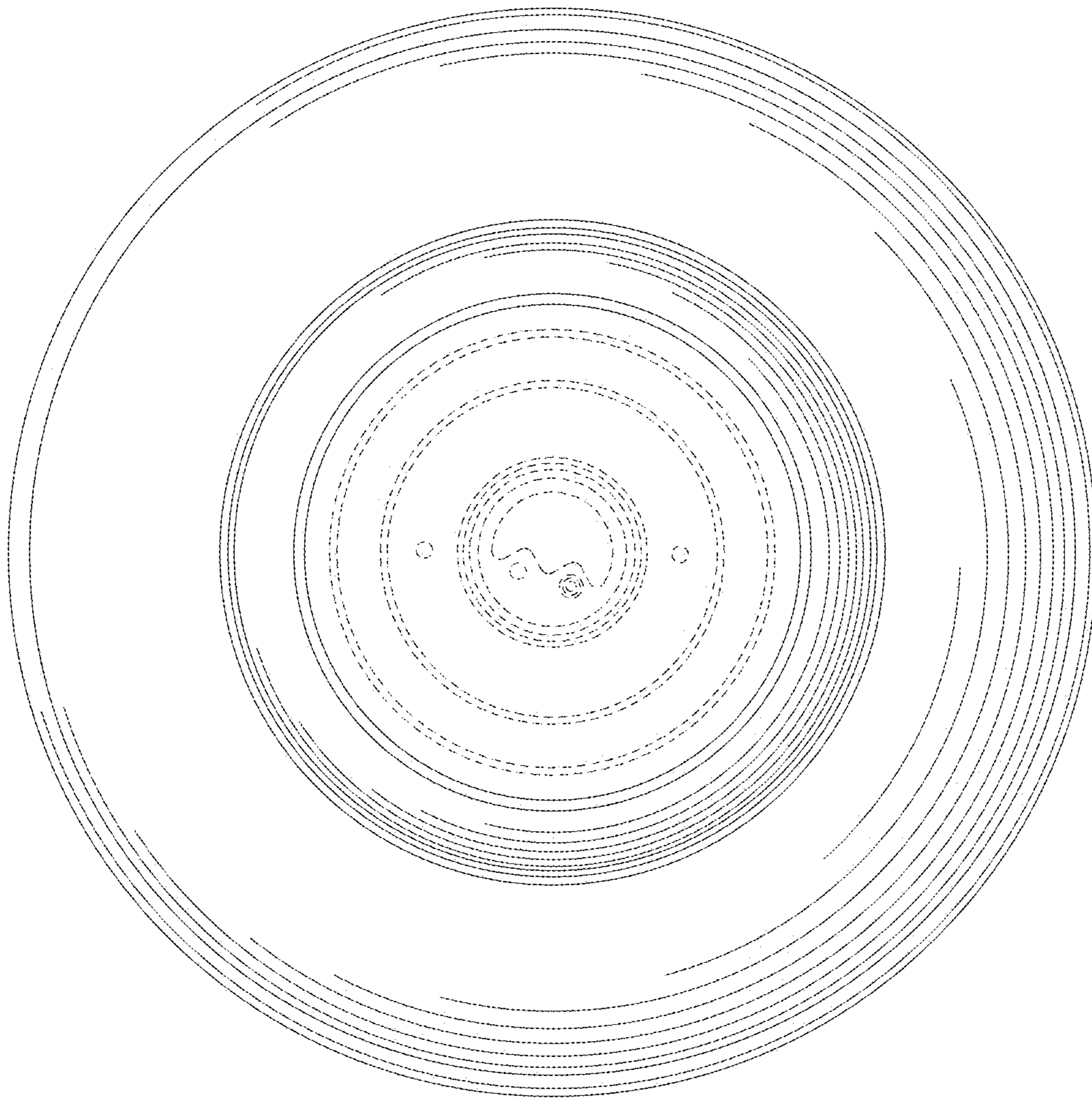


FIG. 20

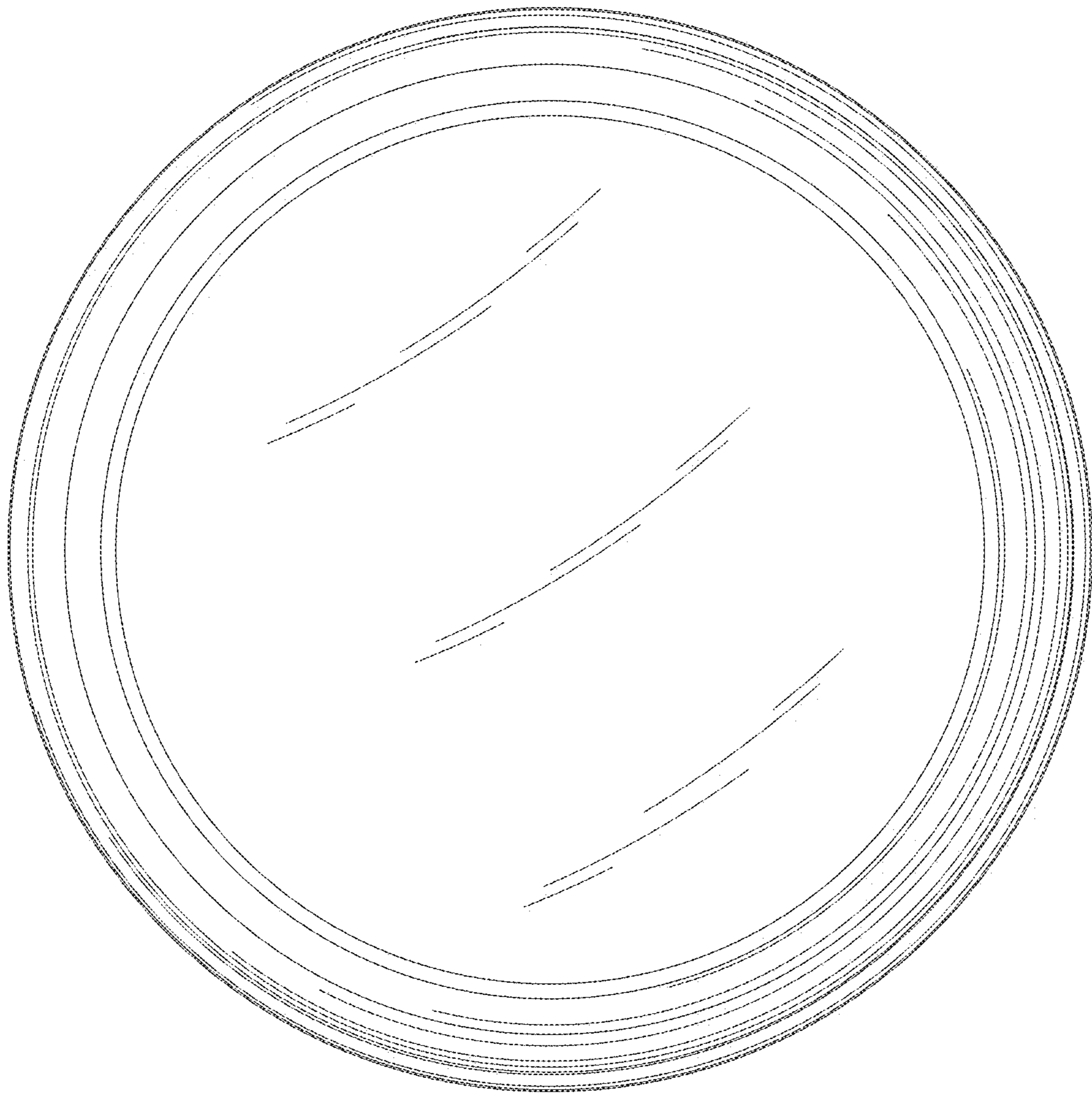


FIG.21