

US00D874698S

(12) **United States Design Patent** (10) **Patent No.:** **US D874,698 S**
Boyd (45) **Date of Patent:** **** Feb. 4, 2020**

(54) **LED WRIST BAND**
(71) Applicant: **Michael Boyd**, Baton Rouge, LA (US)
(72) Inventor: **Michael Boyd**, Baton Rouge, LA (US)
(**) Term: **15 Years**
(21) Appl. No.: **29/646,567**
(22) Filed: **May 4, 2018**
(51) **LOC (12) Cl.** **26-02**
(52) **U.S. Cl.**
USPC **D26/39; D10/32**
(58) **Field of Classification Search**
USPC D26/37-51; D11/200, 3-5, 16, 93-94;
D10/30-39, 70, 98; D14/344, 358,
D14/138 R, 144, 496; D24/167, 169,
D24/186-187; 361/679.03; 379/433.1
CPC F21L 2003/00; F21L 4/00; F21L 4/005;
F21L 4/02; F21L 4/025; F21L 4/027;
F21L 4/04; F21L 4/08; F21L 2005/00;
F21L 7/00; F21L 11/00; F21L 13/00;
F21L 13/04; F21L 13/08; F21L 14/02;
F21L 17/00; F21L 19/00; F21L 25/00;
A41D 1/002; G06F 1/04; G06F 1/08;
G06F 1/10; G06F 1/14; G06F 1/1626;
G06F 1/1628; G06F 1/163; G06F 1/1635;
G06F 1/3203; G06Q 20/10; G06Q 20/12;
G06Q 20/108; G06Q 20/145; H04B
1/3833; H04B 1/385; H04B 1/3888;
H04M 1/02; H04M 1/03; H04M 1/04;
H04M 1/05; H04M 1/667; H04M 1/6058;
Y02B 60/1217
See application file for complete search history.

(56) **References Cited**
U.S. PATENT DOCUMENTS
D320,667 S * 10/1991 Smith D26/39
D362,920 S * 10/1995 Schwartz D26/39

D403,251 S * 12/1998 Yuill D10/32
D413,531 S * 9/1999 Philippe D10/32
D432,028 S * 10/2000 Burgener D10/32
D495,611 S * 9/2004 Jørgensen D10/32
D533,954 S * 12/2006 Opolka D26/39
D556,078 S * 11/2007 Schrimmer D11/3
D560,836 S * 1/2008 Garrity D26/39
D571,942 S * 6/2008 Christianson D26/39
D581,826 S * 12/2008 Molyneux D10/32
D583,971 S * 12/2008 Castellucci D26/39
D614,786 S * 4/2010 Lee D26/39
D623,309 S * 9/2010 Turtzo D24/210
D625,863 S * 10/2010 Kingston D26/39
D645,360 S * 9/2011 Kiser D10/32
D657,706 S * 4/2012 Gould D11/6
D662,239 S * 6/2012 Szymanski D26/39
D675,356 S * 1/2013 Case D26/39
D677,191 S * 3/2013 Benjamin D11/4
D679,434 S * 4/2013 Conroy D26/39
D685,938 S * 7/2013 Baker D26/39
D699,380 S * 2/2014 Weaver D26/39
D699,875 S * 2/2014 Christianson D26/39

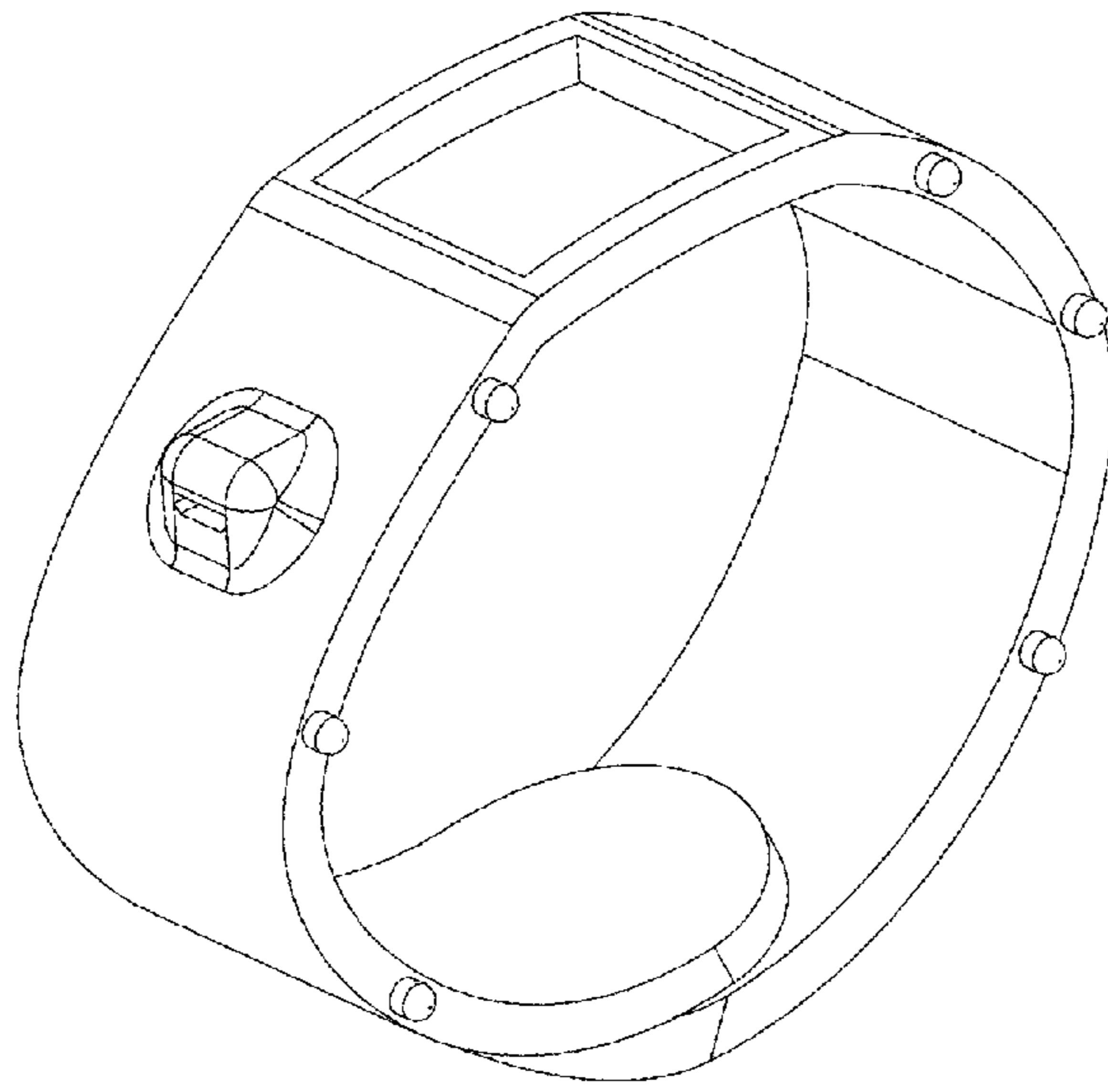
(Continued)

Primary Examiner — Lakiya G Rogers
Assistant Examiner — Carissa C Fitts
(74) *Attorney, Agent, or Firm* — Richard Eldredge

(57) **CLAIM**
The ornamental design for a LED wrist band, as shown and described.

DESCRIPTION
FIG. 1 is a top view of a LED wrist band according to the present application.
FIG. 2 is a left side view of the LED wrist band.
FIG. 3 is a right side view of the LED wrist band.
FIG. 4 is bottom side view of the LED wrist band.
FIG. 5 is a top side view of the LED wrist band.
FIG. 6 is a front perspective view of the LED wrist band off FIG. 1; and,
FIG. 7 is a back perspective view of the LED wrist band off FIG. 1.

1 Claim, 3 Drawing Sheets



(56)

References Cited

U.S. PATENT DOCUMENTS

D701,504	S *	3/2014	Christopher	D14/344
D703,069	S *	4/2014	Adams	D10/31
D703,850	S *	4/2014	Alvarado	D26/39
D705,429	S *	5/2014	Cheney	D24/169
D708,089	S *	7/2014	Burbano	D11/6
D708,793	S *	7/2014	Silverlieb	D26/38
D713,575	S *	9/2014	Ferguson	D26/39
D718,170	S *	11/2014	Aumiller	D10/32
D721,599	S *	1/2015	Gruosi	D10/32
D722,894	S *	2/2015	Vondle	D10/32
D731,913	S *	6/2015	Namazy	D11/27
D737,166	S *	8/2015	Aumiller	D11/3
D742,049	S *	10/2015	Baker	D26/39
D752,791	S *	3/2016	Ferguson	D26/39
D811,926	S *	3/2018	Luig	D11/26
D845,814	S *	4/2019	Foster	D11/3
D848,895	S *	5/2019	Buccellati	D11/16
D850,316	S *	6/2019	Ennis	D11/3
D850,970	S *	6/2019	Buccellati	D11/3
2007/0016271	A1 *	1/2007	Hammond	A61F 7/007 607/96
2007/0106350	A1 *	5/2007	Carstens	A41D 13/005 607/108

* cited by examiner

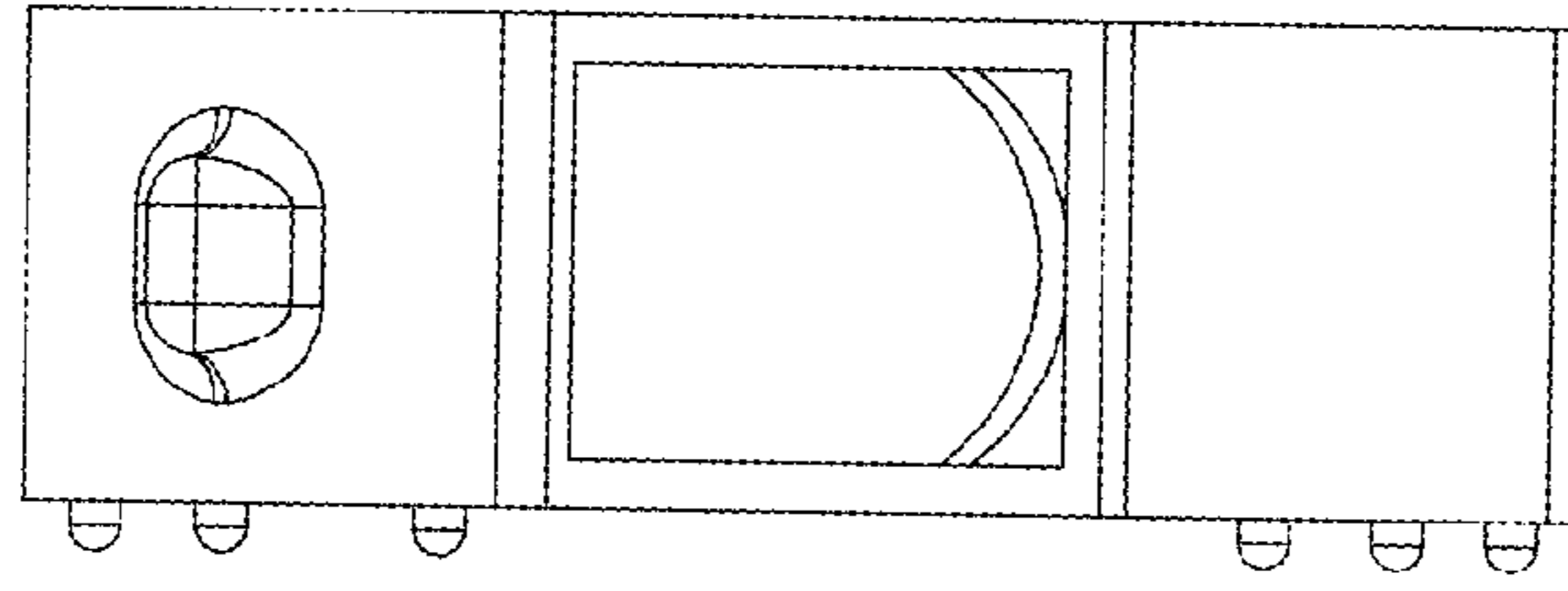


FIG. 5

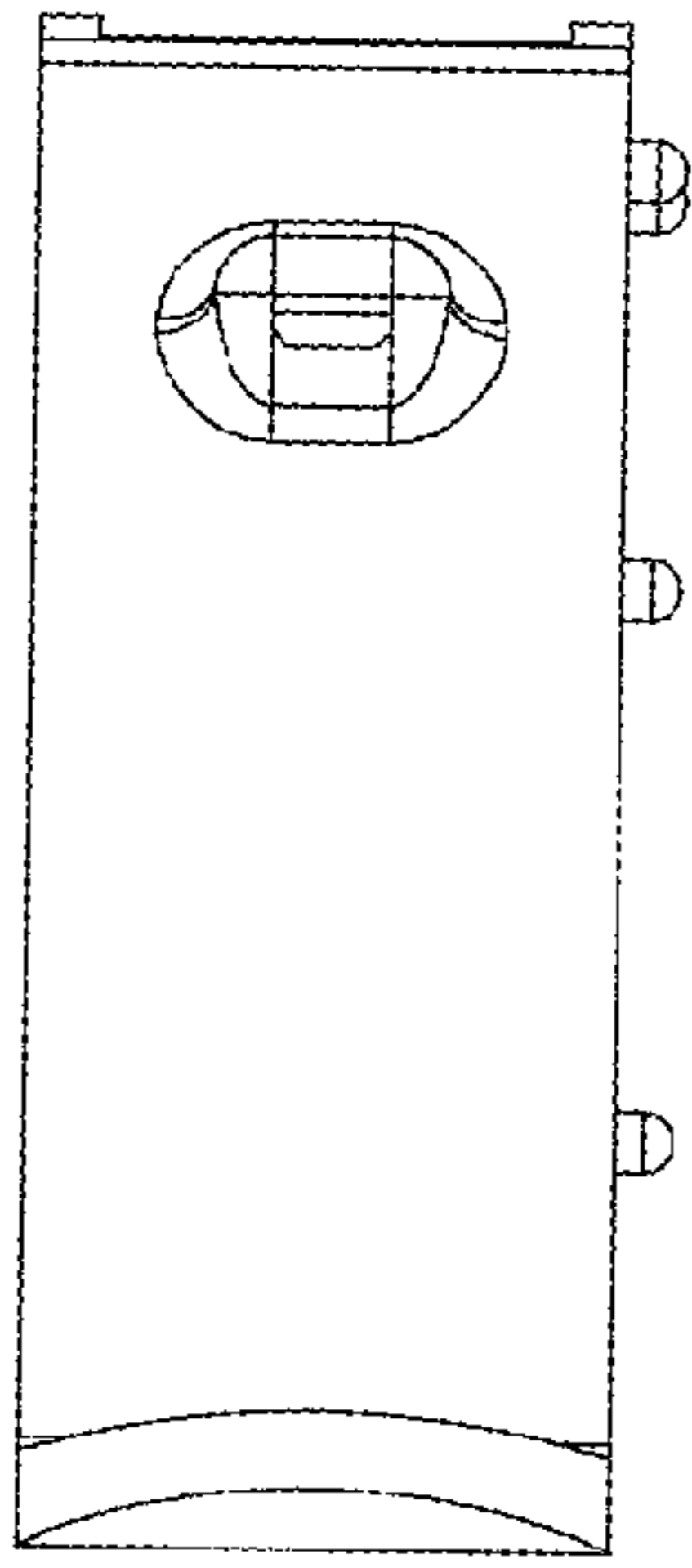


FIG. 2

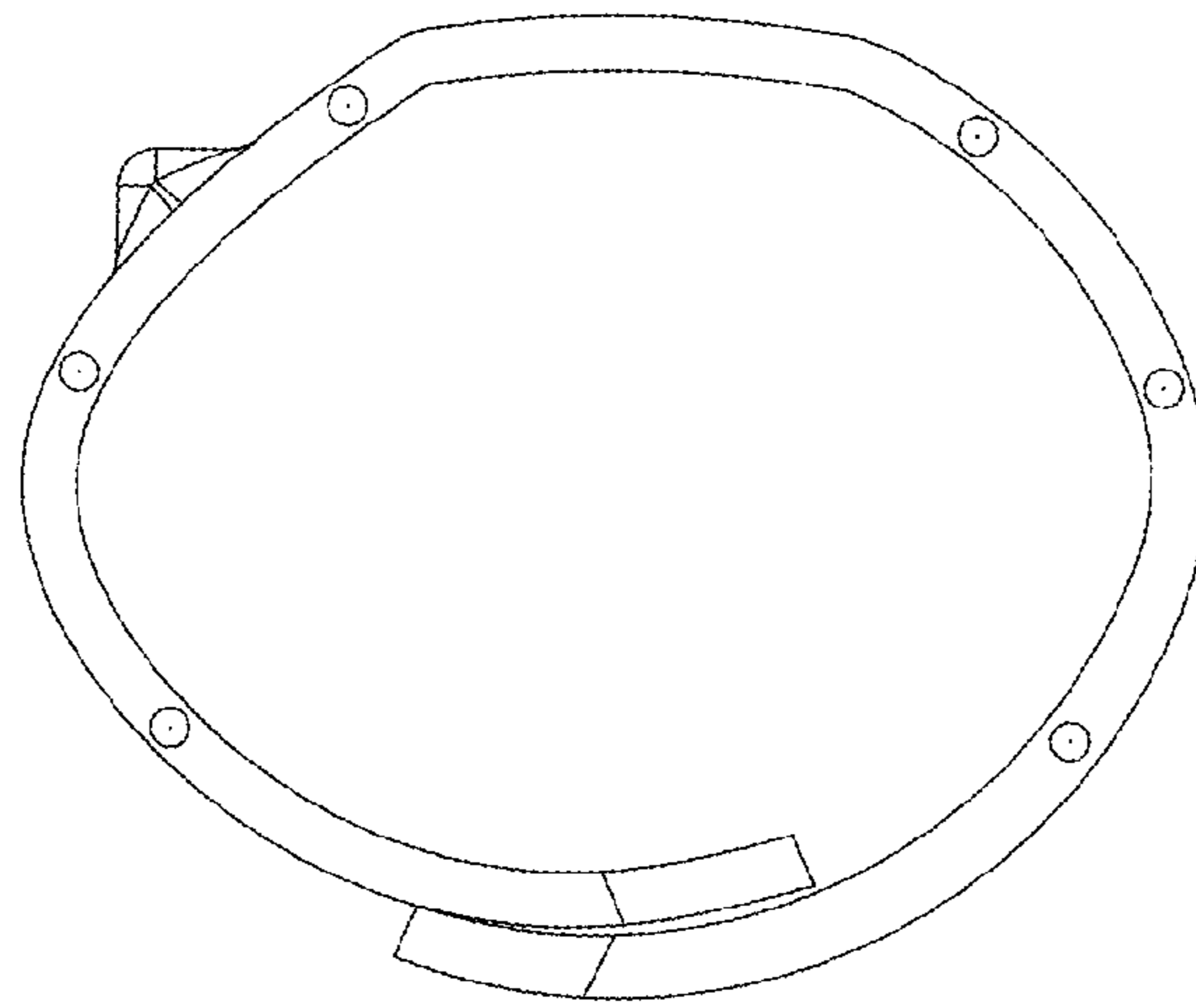


FIG. 1

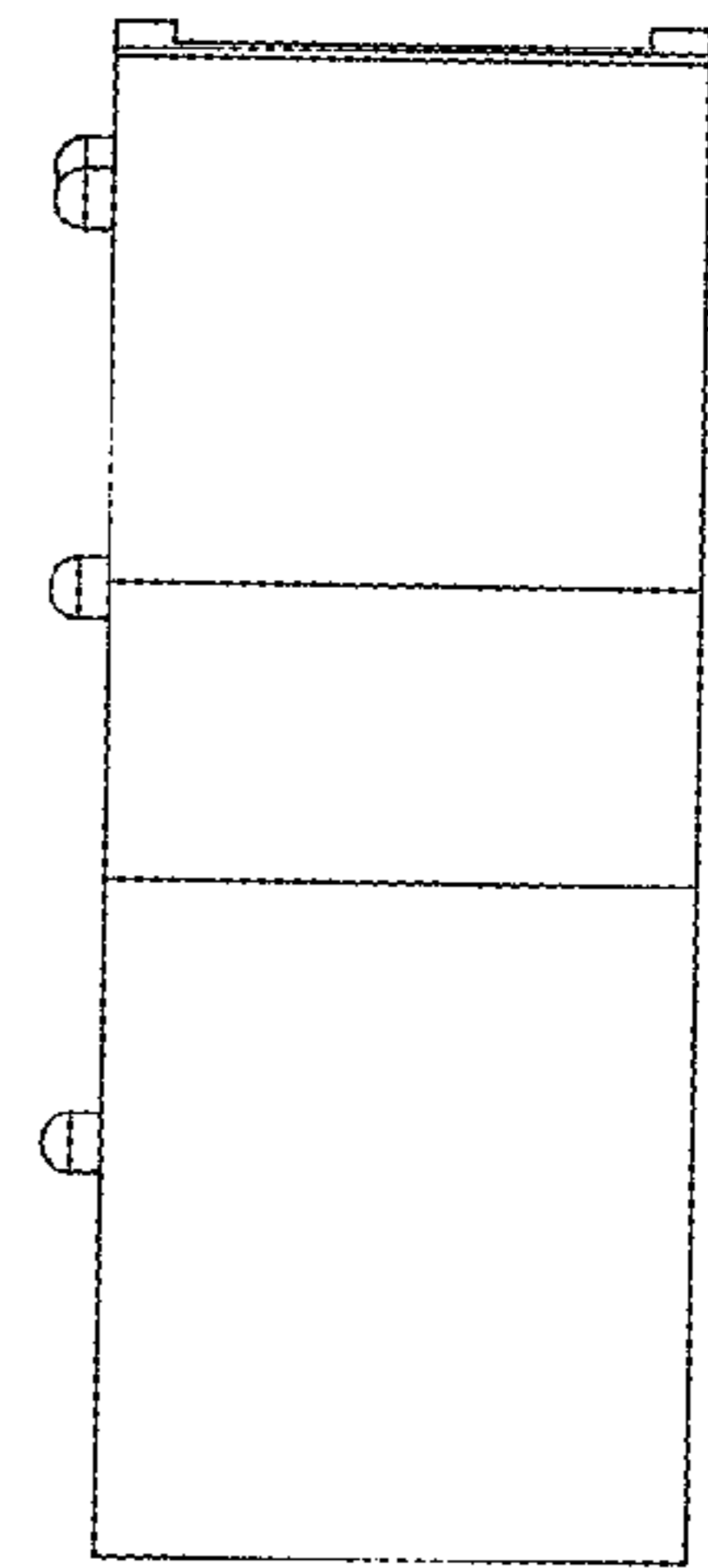


FIG. 3

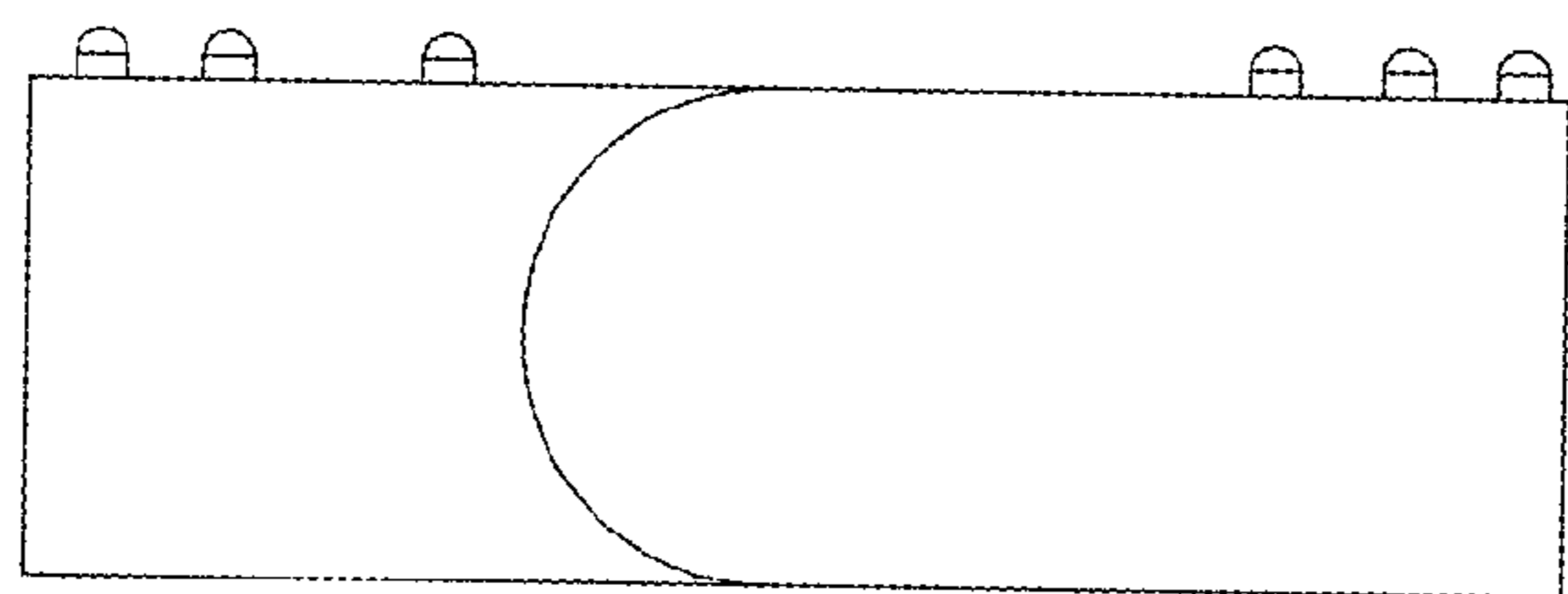


FIG. 4

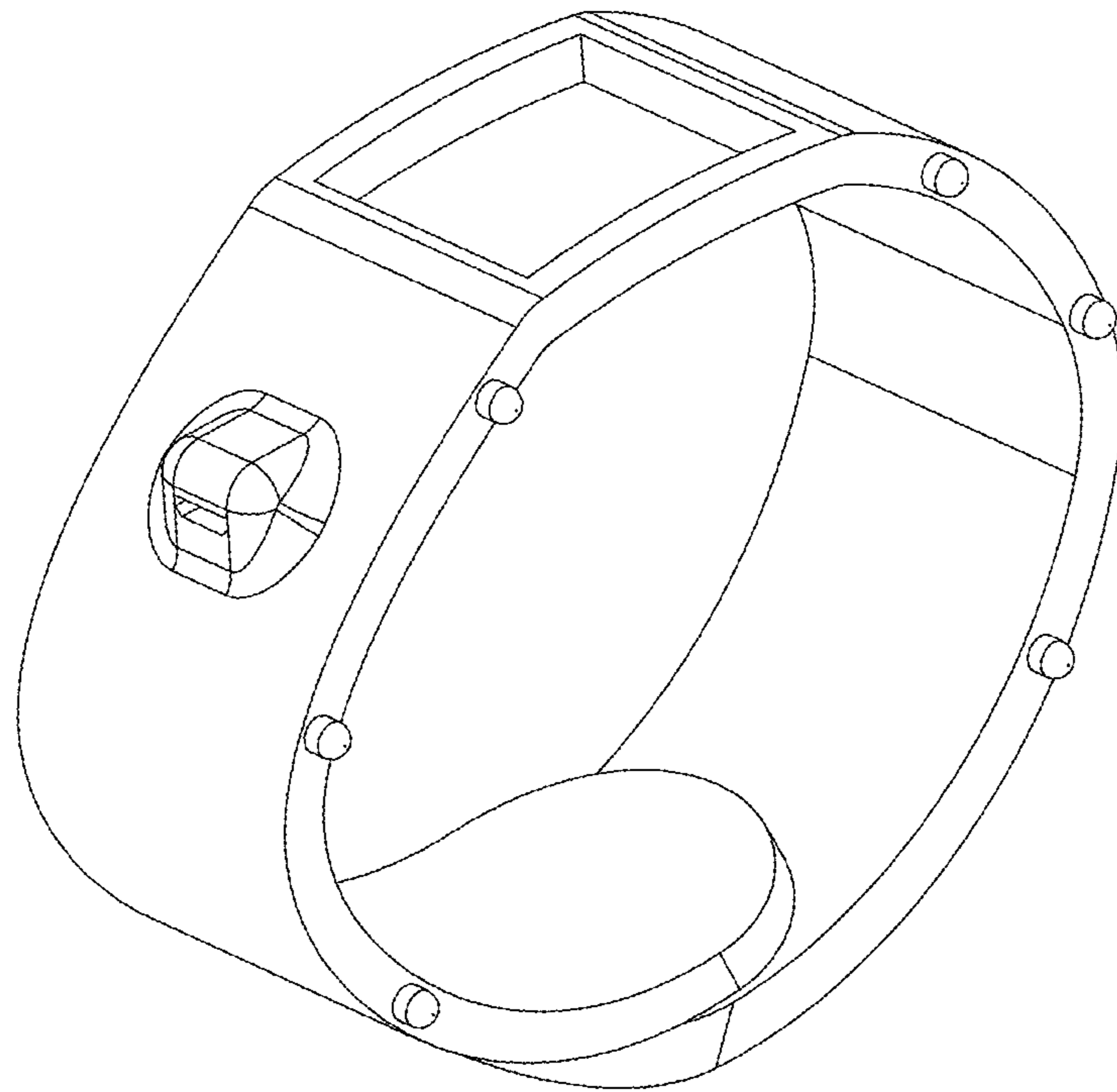


FIG. 6

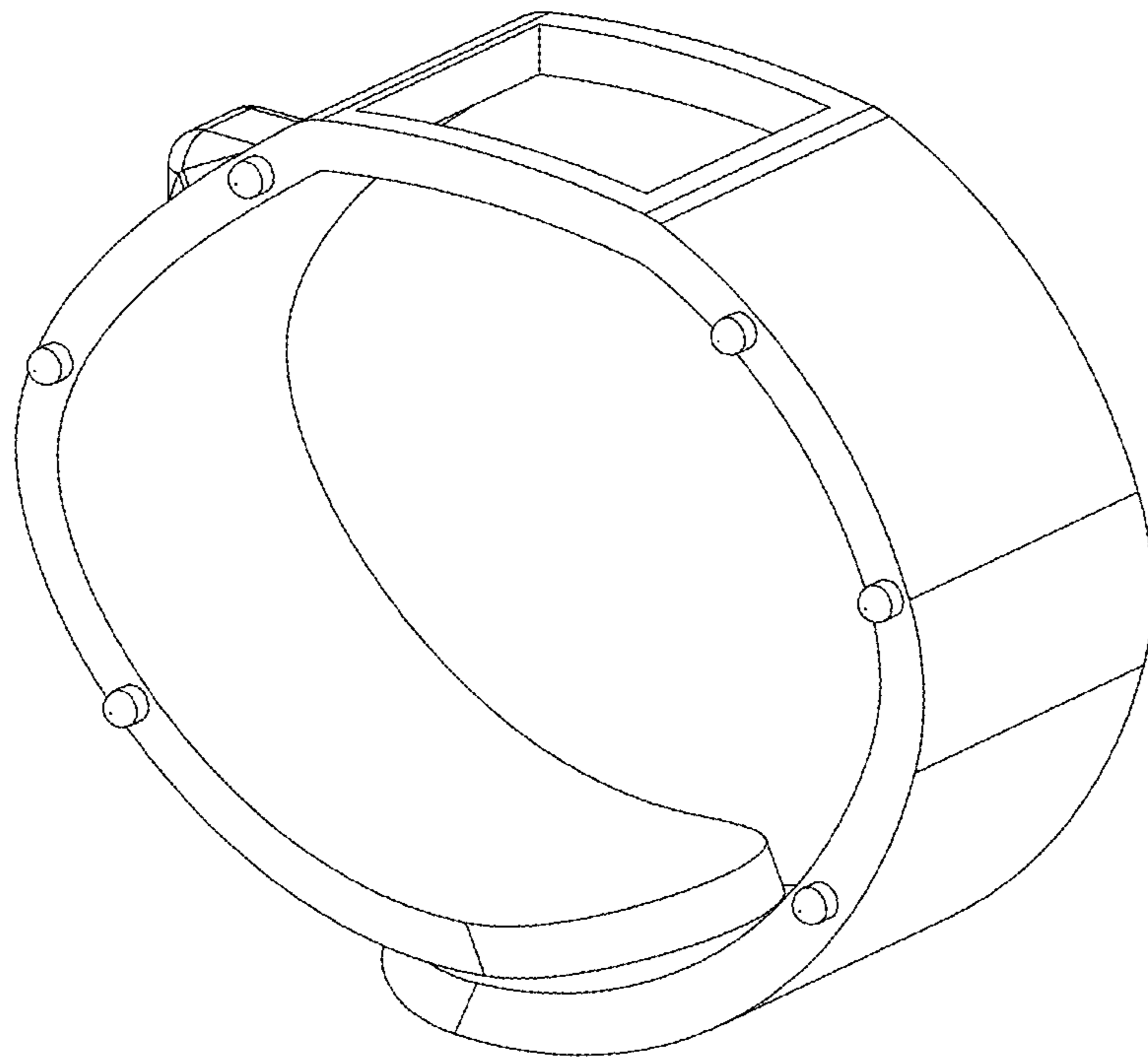


FIG. 7