



US00D874696S

(12) **United States Design Patent** (10) **Patent No.:** **US D874,696 S**
He (45) **Date of Patent:** **** Feb. 4, 2020**

(54) **HEADLIGHT FOR A VEHICLE**

D570,007 S * 5/2008 Hsu D26/28

(71) Applicant: **Arex Industries, Inc.**, Irwindale, CA
(US)

* cited by examiner

(72) Inventor: **Mizeng He**, Taizhou (CN)

Primary Examiner — Marcus A Jackson

(74) *Attorney, Agent, or Firm* — Thomas S. Lee, Esq.

(**) Term: **15 Years**

(57) **CLAIM**

(21) Appl. No.: **29/673,968**

The ornamental design for an headlight for a vehicle, as shown and described.

(22) Filed: **Dec. 18, 2018**

(51) **LOC (12) Cl.** **26-06**

DESCRIPTION

(52) **U.S. Cl.**

USPC **D26/28**

(58) **Field of Classification Search**

USPC D26/28–36, 139

CPC F21S 48/00; F21S 48/10; F21S 48/115;

F21S 48/225; F21S 48/1233; F21S

48/1266; F21S 48/1388; F21S 48/2268;

F21V 21/04; F21V 29/004; B60Q 9/13;

B60Q 9/135; B60Q 9/1375

See application file for complete search history.

FIG. 1 is a perspective view of an headlight for a vehicle according to the novel design;

FIG. 2 is left perspective view thereof;

FIG. 3 is a front view thereof;

FIG. 4 is a bottom plan view;

FIG. 5 is an alternative perspective view; and,

FIG. 6 is the top plan view.

The broken lines are for environmental purposes only and form no part of the claimed design. The design shown is not to be limited to any particular size and may be scaled larger or smaller. The drawings and descriptions represent the left side embodiment. The claim is also for a mirror image of a right side embodiment that is not shown.

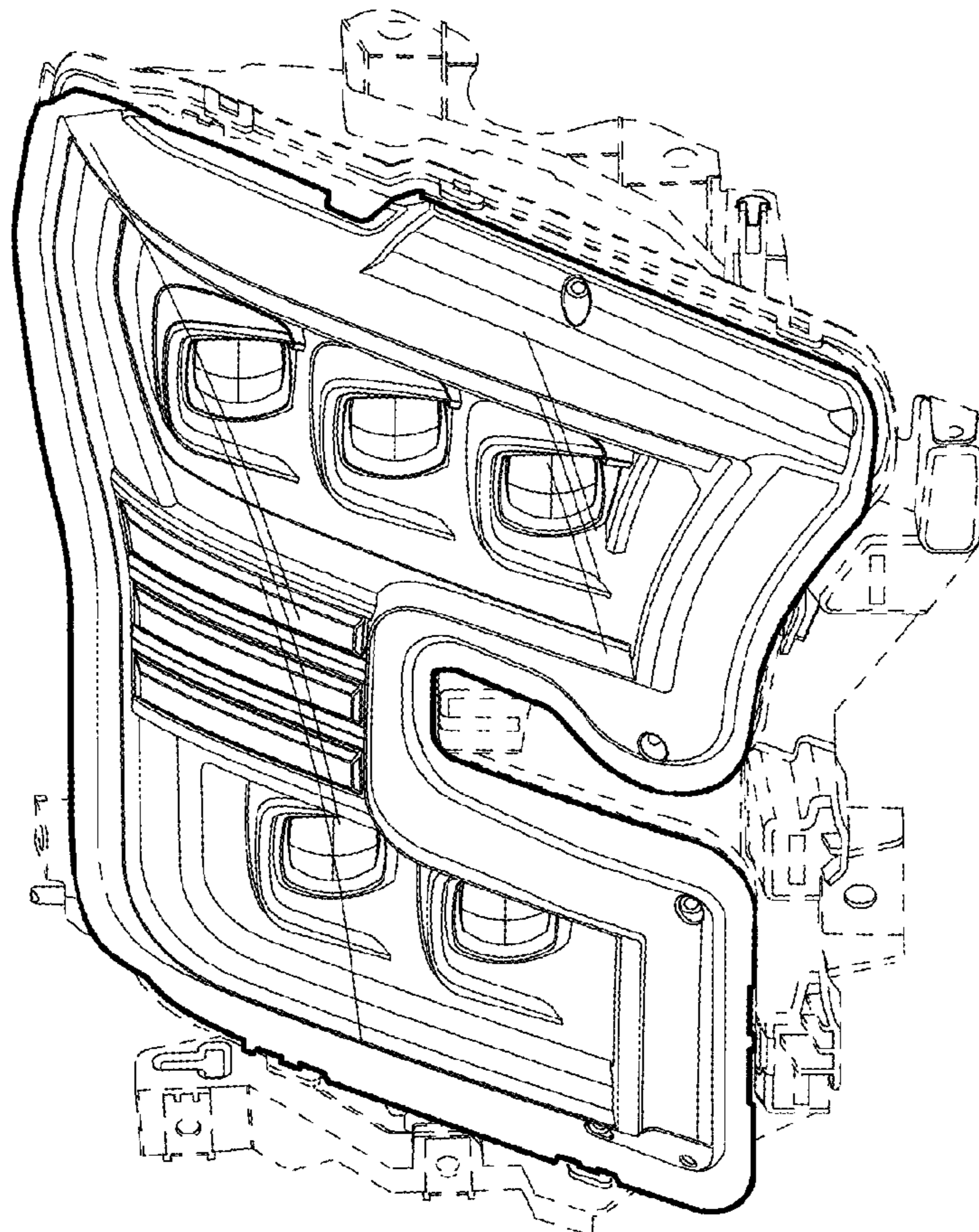
(56) **References Cited**

U.S. PATENT DOCUMENTS

D544,114 S * 6/2007 Ohta D26/28

D561,358 S * 2/2008 Tachibana D26/28

1 Claim, 6 Drawing Sheets



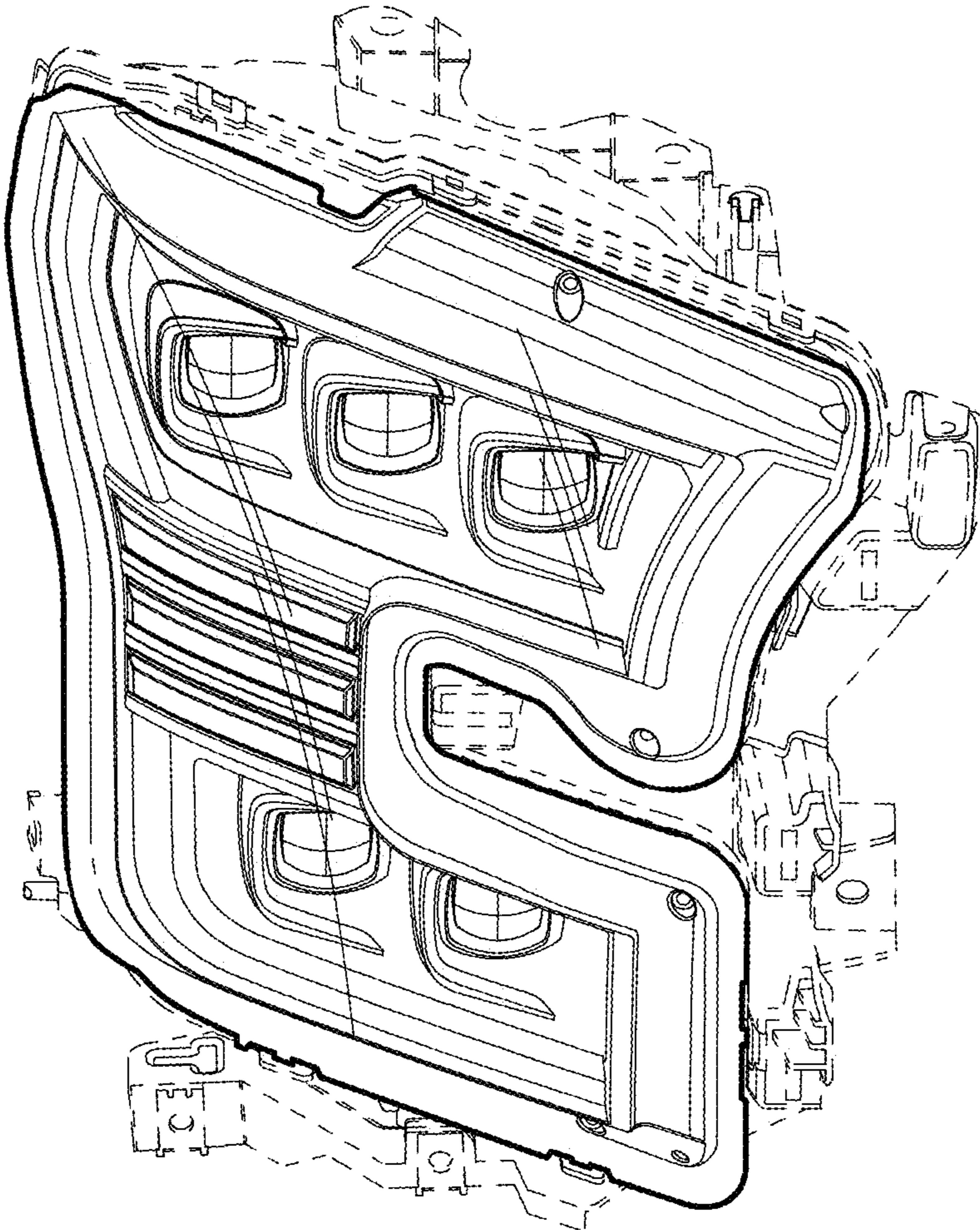


FIG. 1

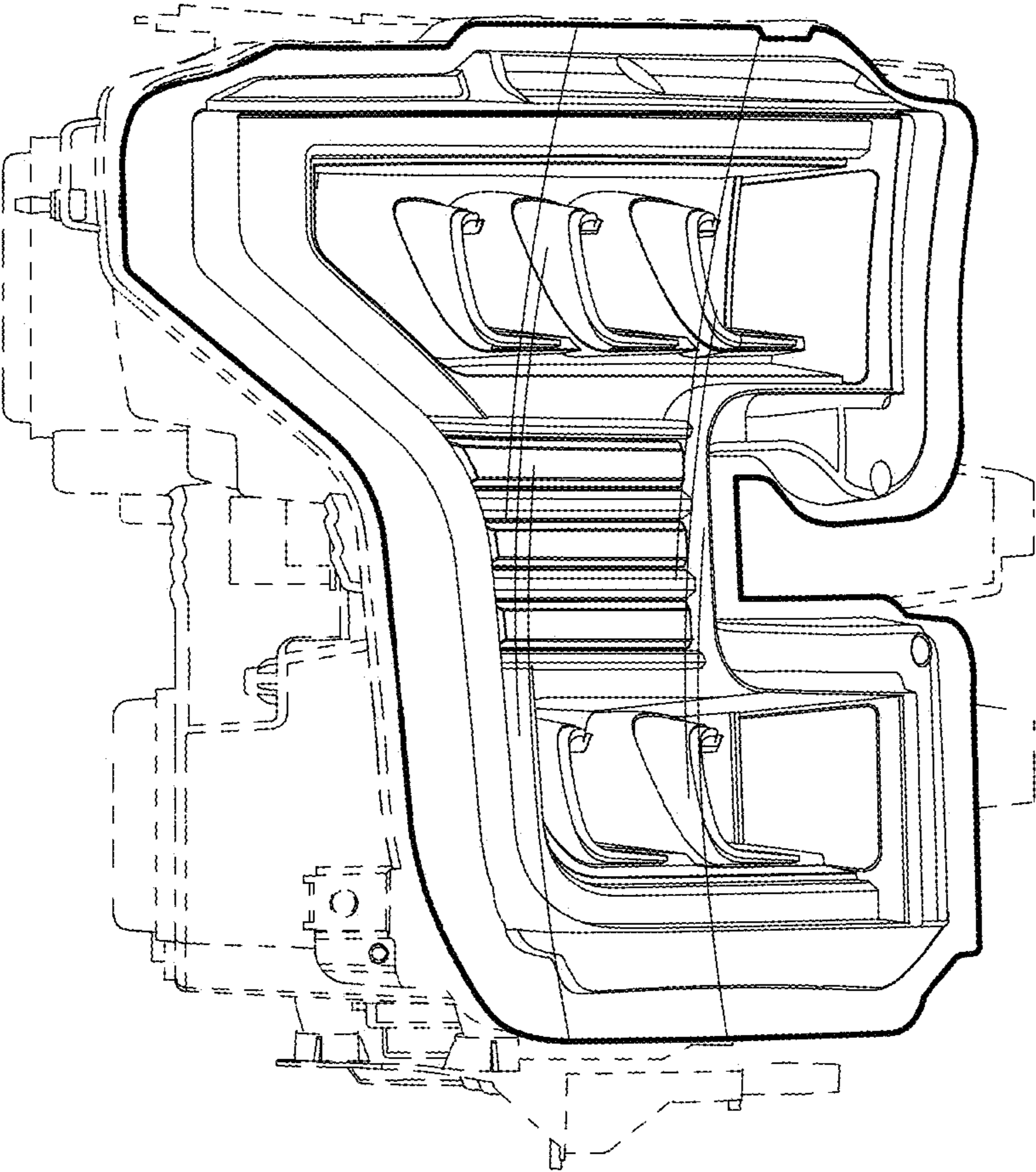


FIG. 2

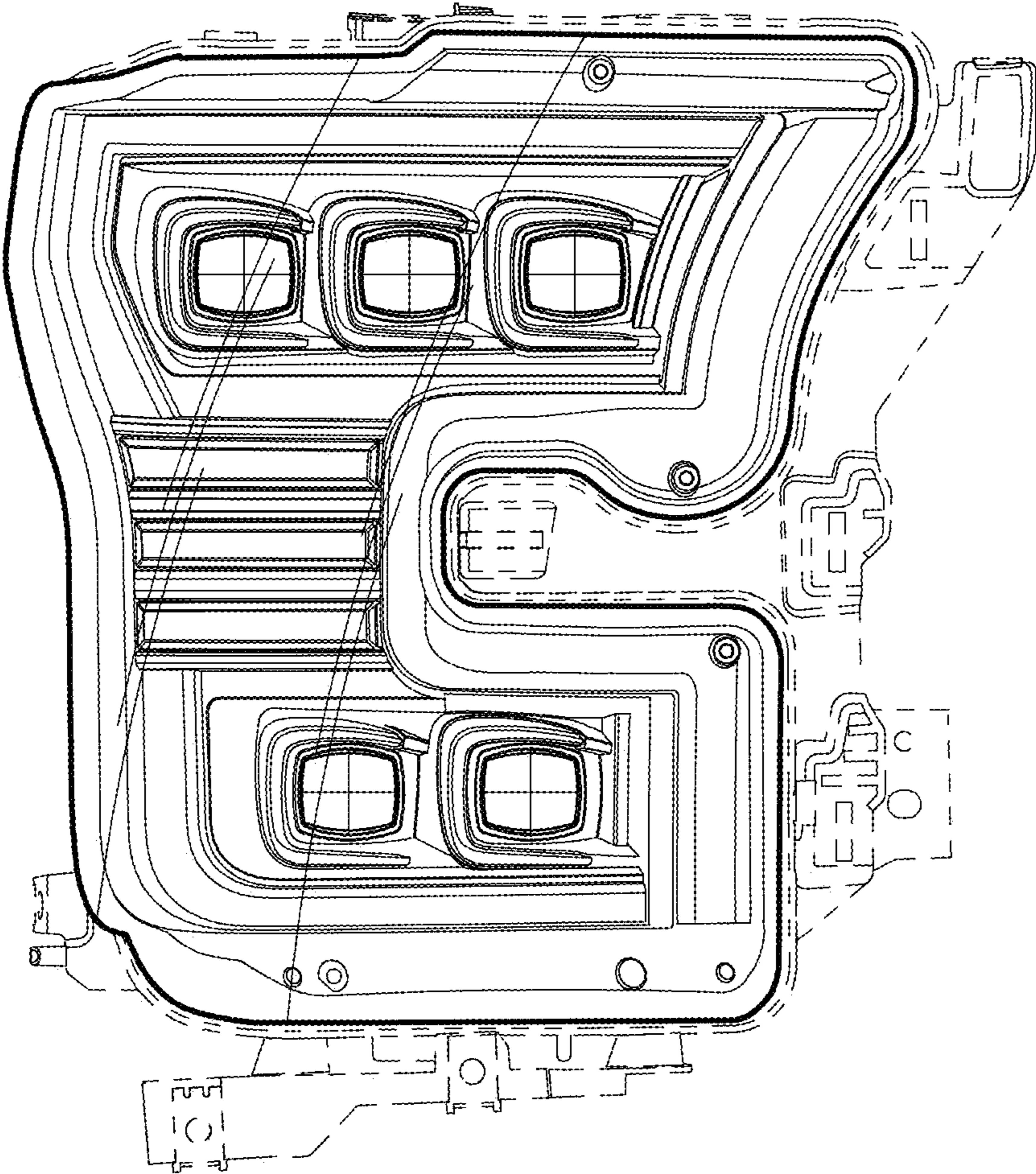


FIG. 3

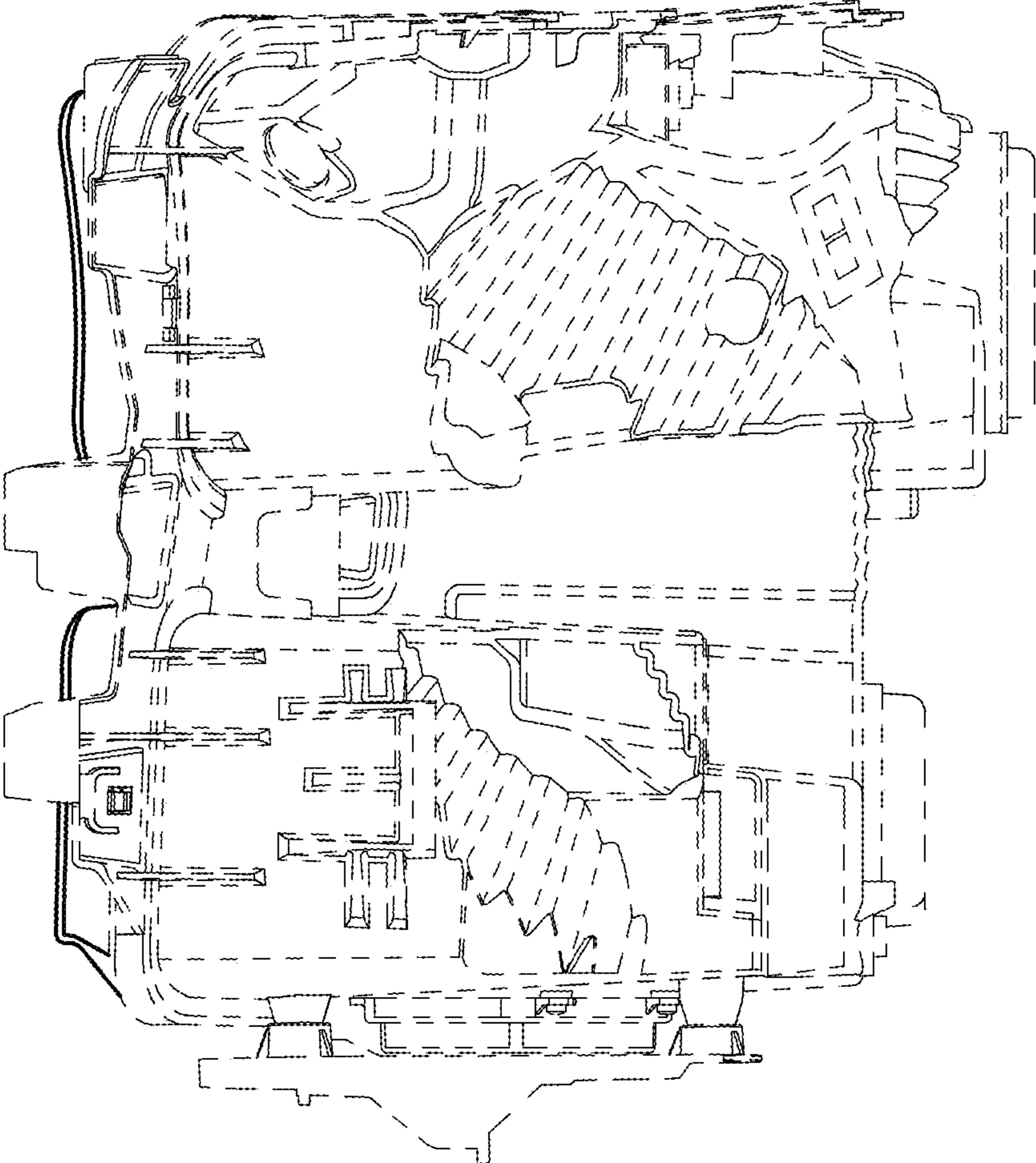


FIG. 4

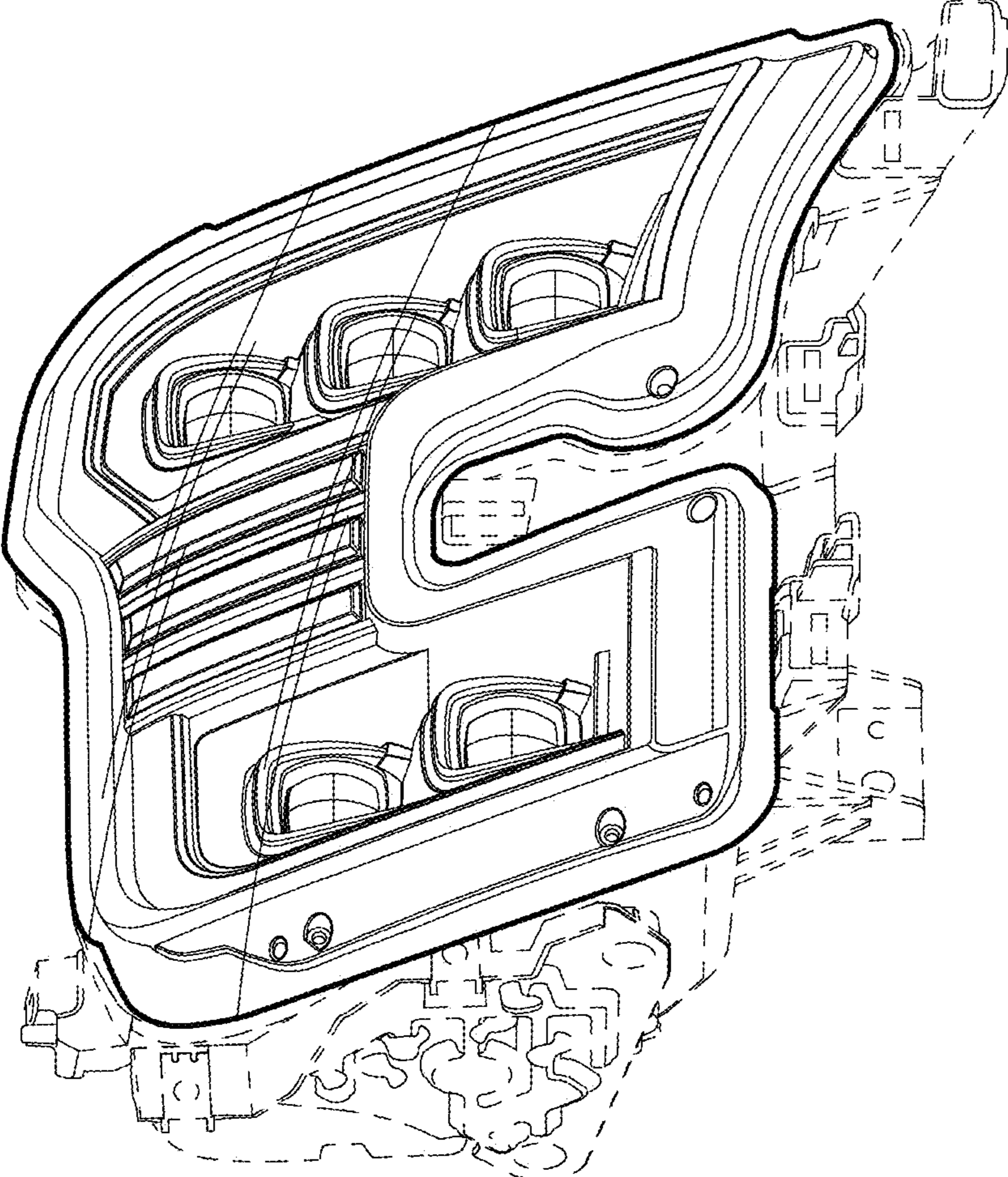


FIG. 5

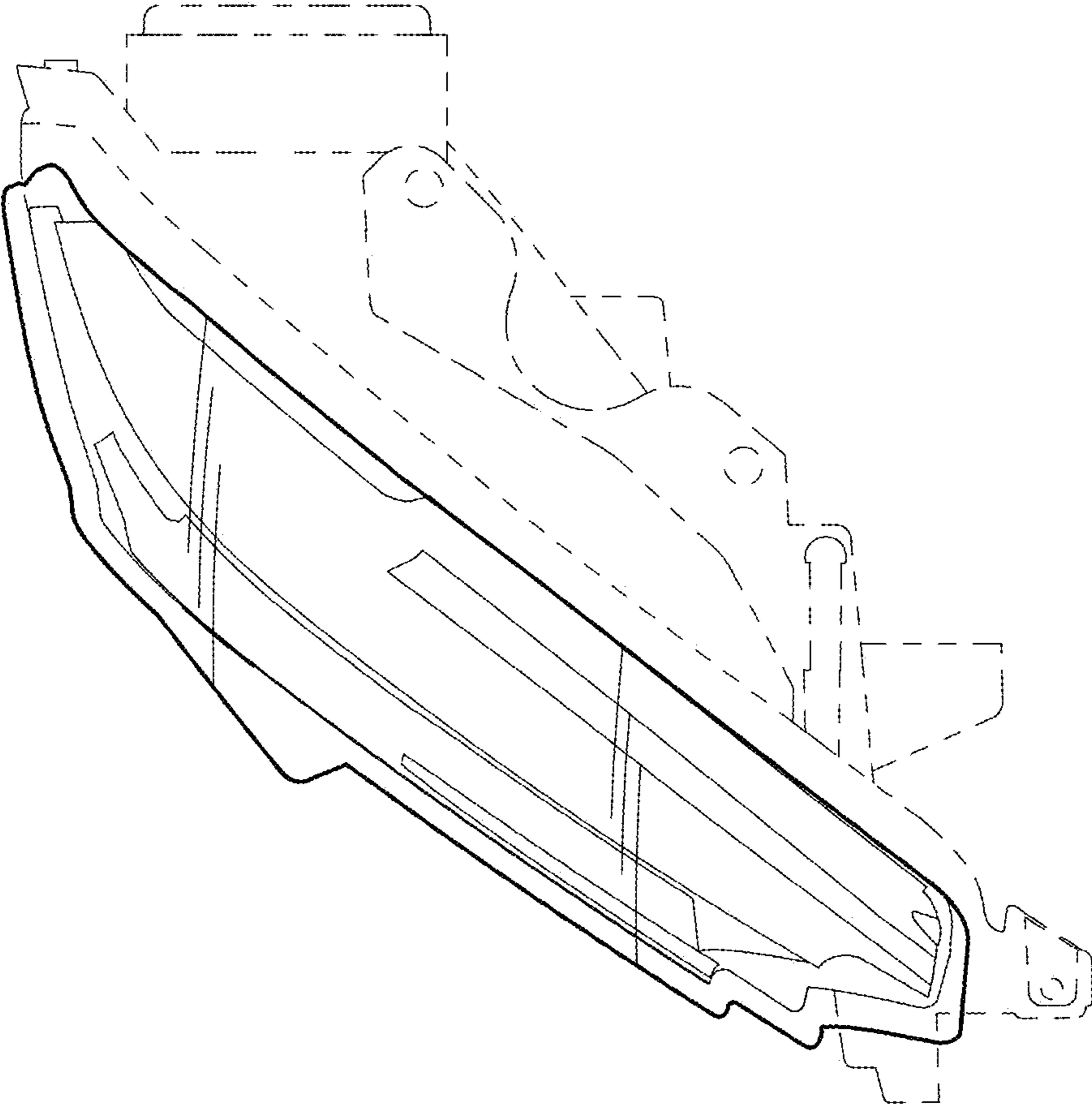


FIG. 6