



US00D874695S

(12) **United States Design Patent** (10) **Patent No.:** **US D874,695 S**
Grabowski (45) **Date of Patent:** **** Feb. 4, 2020**

- (54) **A-PILLAR LAMP**
- (71) Applicant: **Automotive Lighting LLC**, Auburn Hills, MI (US)
- (72) Inventor: **William A. Grabowski**, Northville, MI (US)
- (73) Assignee: **Automotive Lighting LLC**, Auburn Hills, MI (US)
- (**) Term: **15 Years**
- (21) Appl. No.: **29/669,382**
- (22) Filed: **Nov. 7, 2018**
- (51) **LOC (12) Cl.** **26-06**
- (52) **U.S. Cl.**
USPC **D26/28**
- (58) **Field of Classification Search**
USPC D26/28-36; 362/459-468, 475-478, 362/485-487
See application file for complete search history.

- D839,458 S 1/2019 Ting et al.
- D843,620 S 3/2019 LaMarche et al.
- D850,672 S * 6/2019 McGinley D26/28
- D854,204 S 7/2019 Ting et al.
- D855,844 S 8/2019 Peng
- D857,258 S 8/2019 Lin
- D857,263 S * 8/2019 Goodrich D26/28
- D857,264 S * 8/2019 Goodrich D26/28

* cited by examiner

Primary Examiner — Angela J Lee

(74) *Attorney, Agent, or Firm* — Howard & Howard Attorneys PLLC

(57) **CLAIM**

The ornamental design for an A-pillar lamp, as shown and described.

DESCRIPTION

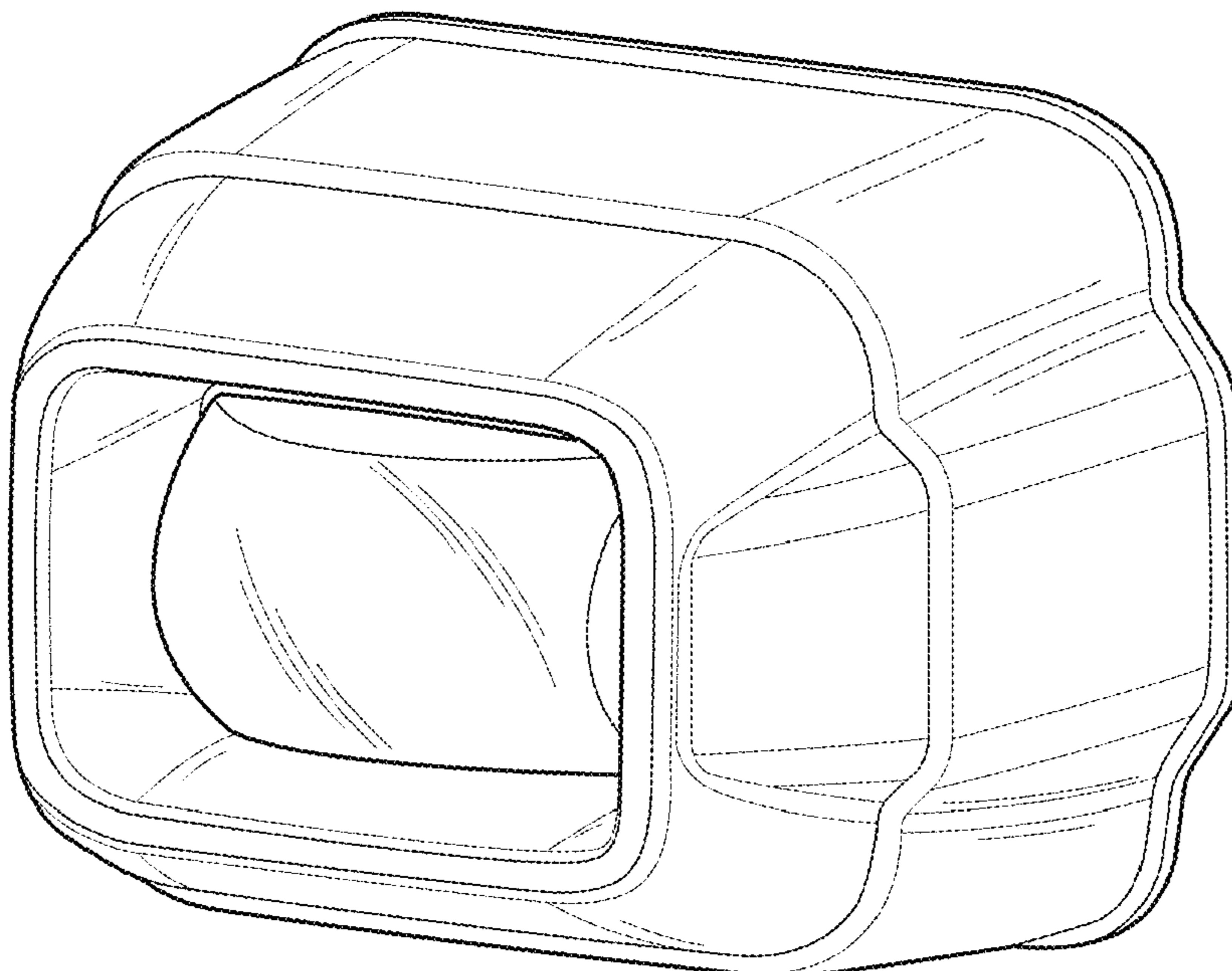
FIG. 1 is a front perspective view of the A-pillar lamp design of the present invention;
 FIG. 2 is a rear perspective view of the A-pillar lamp design of the present invention;
 FIG. 3 is a front view of the A-pillar lamp design of the present invention;
 FIG. 4 is a top view of the A-pillar lamp design of the present invention;
 FIG. 5 is a bottom view of the A-pillar lamp design of the present invention;
 FIG. 6 is a side view of the A-pillar lamp design of the present invention; and,
 FIG. 7 is an opposite side view of the A-pillar lamp design of the present invention.
 The broken lines shown in the drawings represent portions of the A-pillar lamp that form no part of the claimed design.

1 Claim, 4 Drawing Sheets

(56) **References Cited**

U.S. PATENT DOCUMENTS

- D574,978 S * 8/2008 Hyodo D26/28
- D677,813 S 3/2013 Hanaoka
- D711,024 S 8/2014 Kuwano
- D736,971 S 8/2015 Duff et al.
- D759,285 S * 6/2016 Mitchell D26/89
- D765,290 S 8/2016 Adams et al.
- D782,711 S 3/2017 Dunshee et al.
- D793,592 S 8/2017 Chen et al.
- D798,475 S 9/2017 Georgitsis et al.
- D827,887 S * 9/2018 Pan D26/28
- D828,591 S * 9/2018 Wu D26/28
- D828,593 S * 9/2018 Pan D26/28
- D833,655 S * 11/2018 Ko D26/28



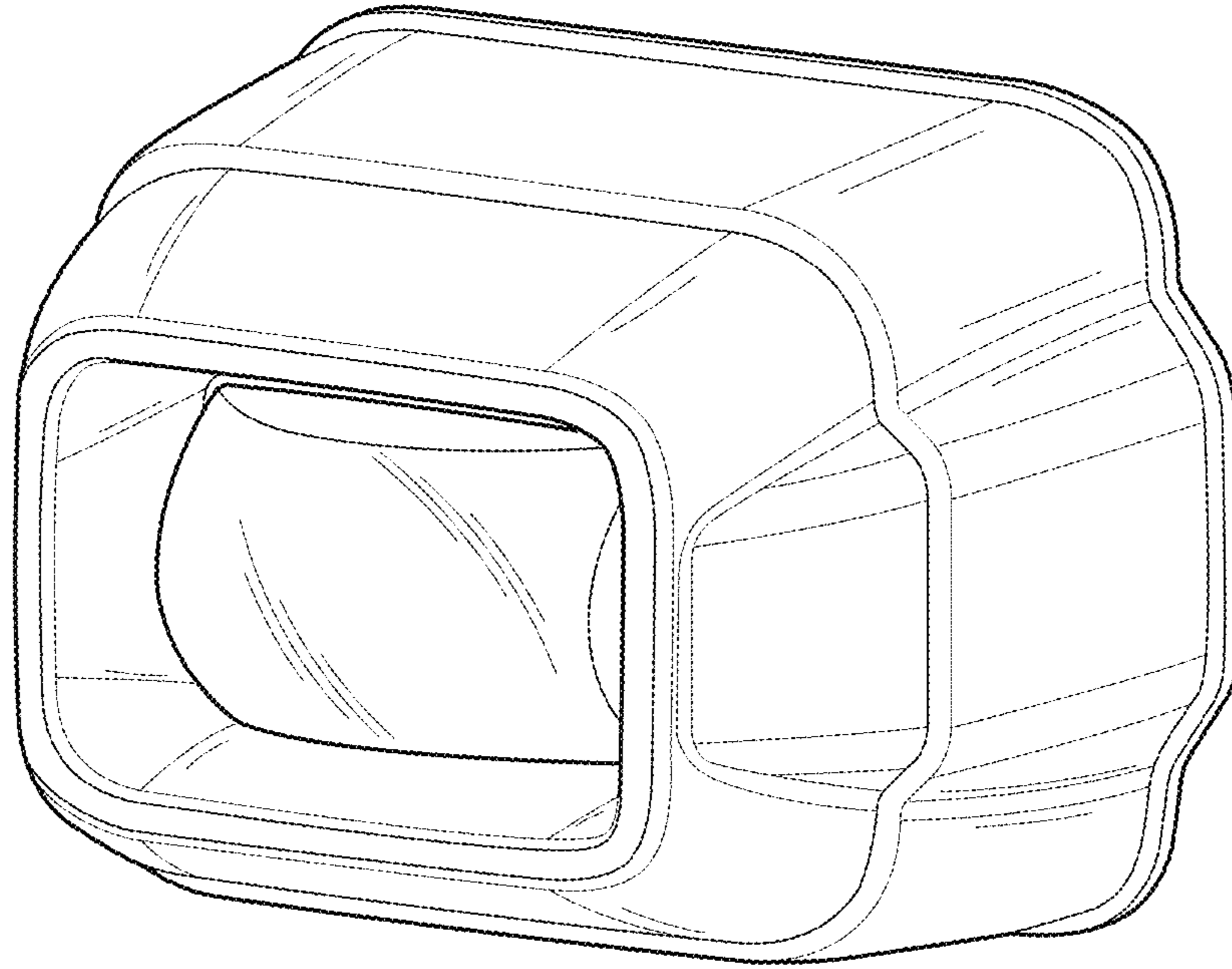


FIG. 1

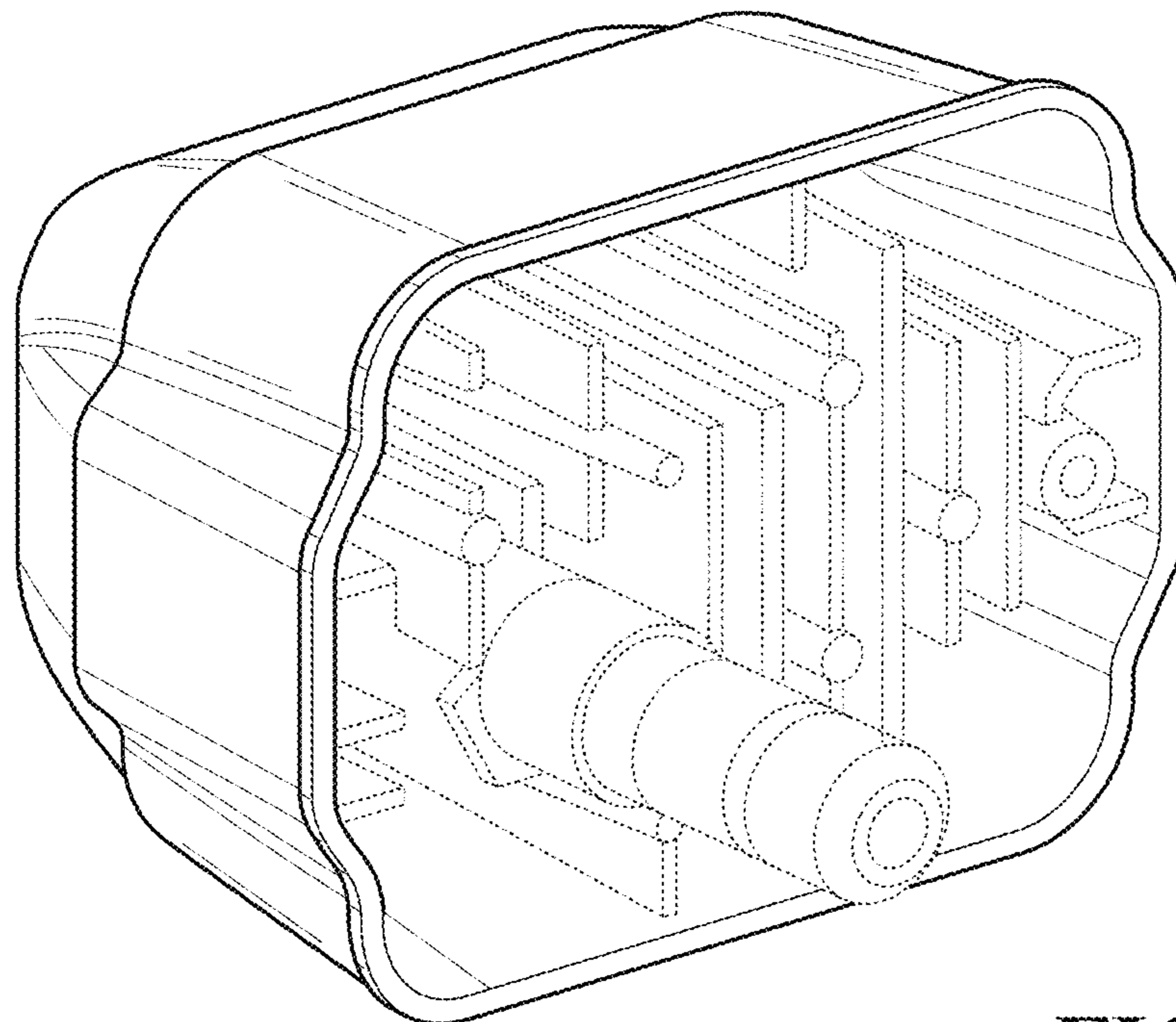


FIG. 2

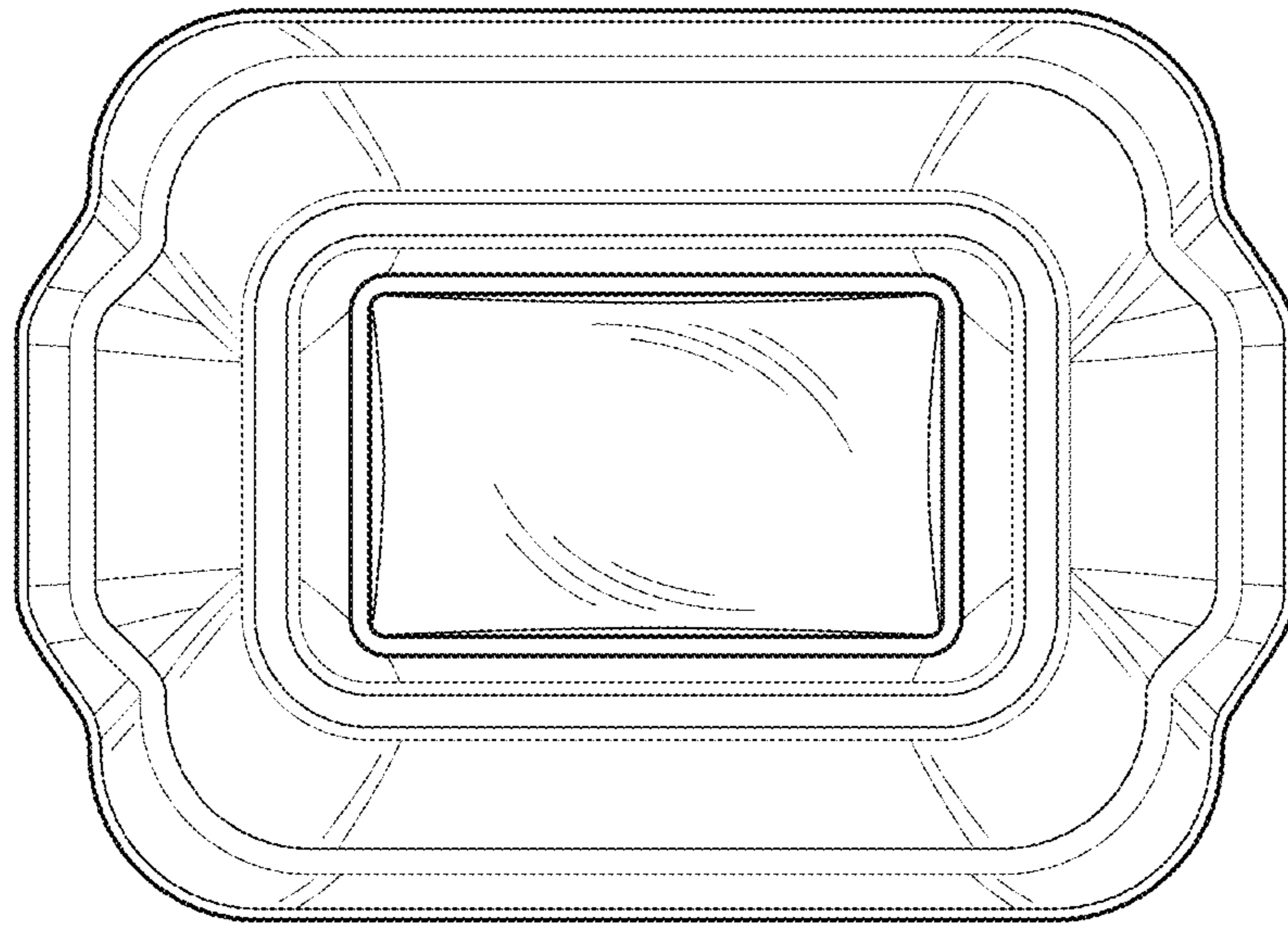


FIG. 3

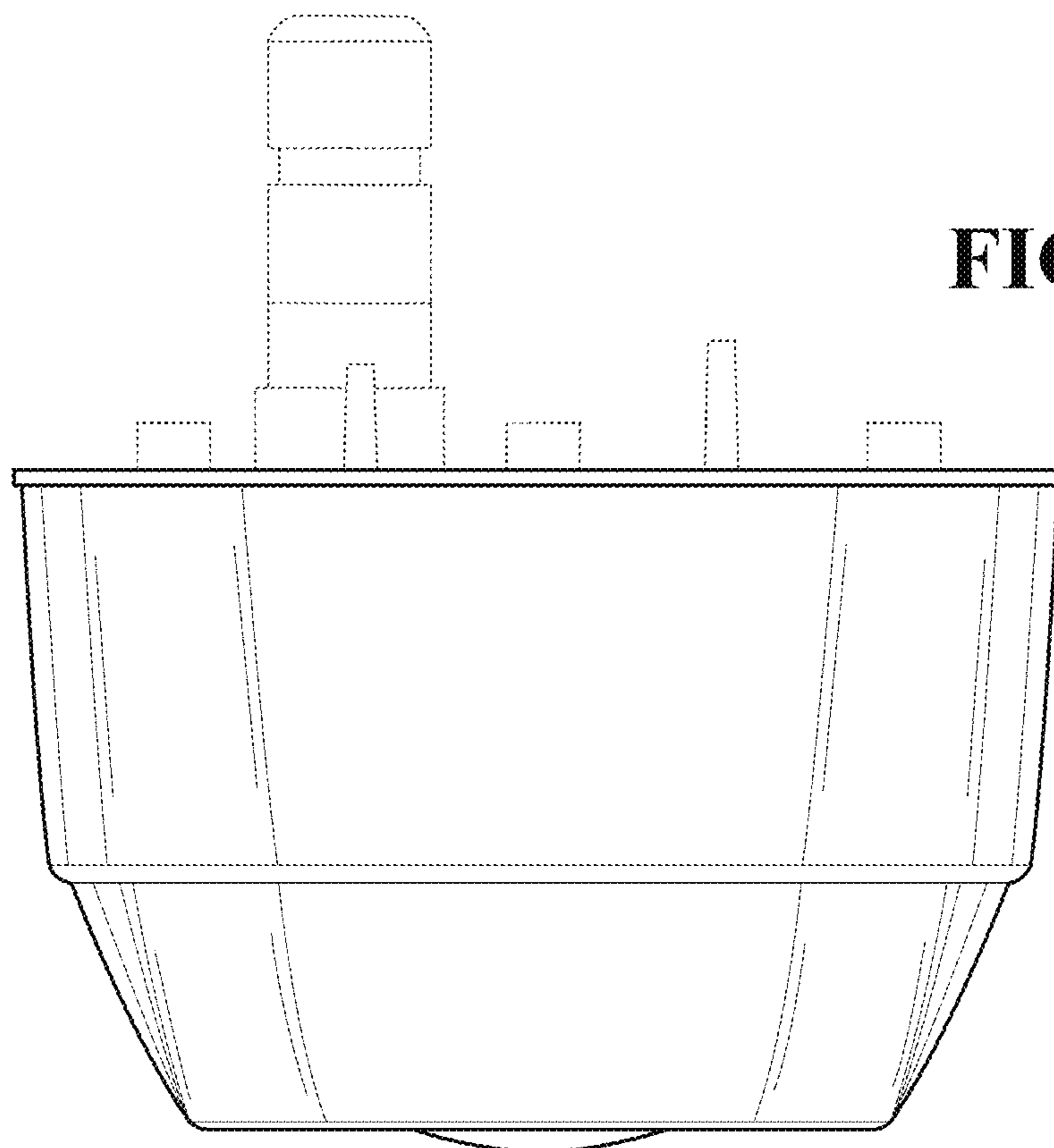


FIG. 4

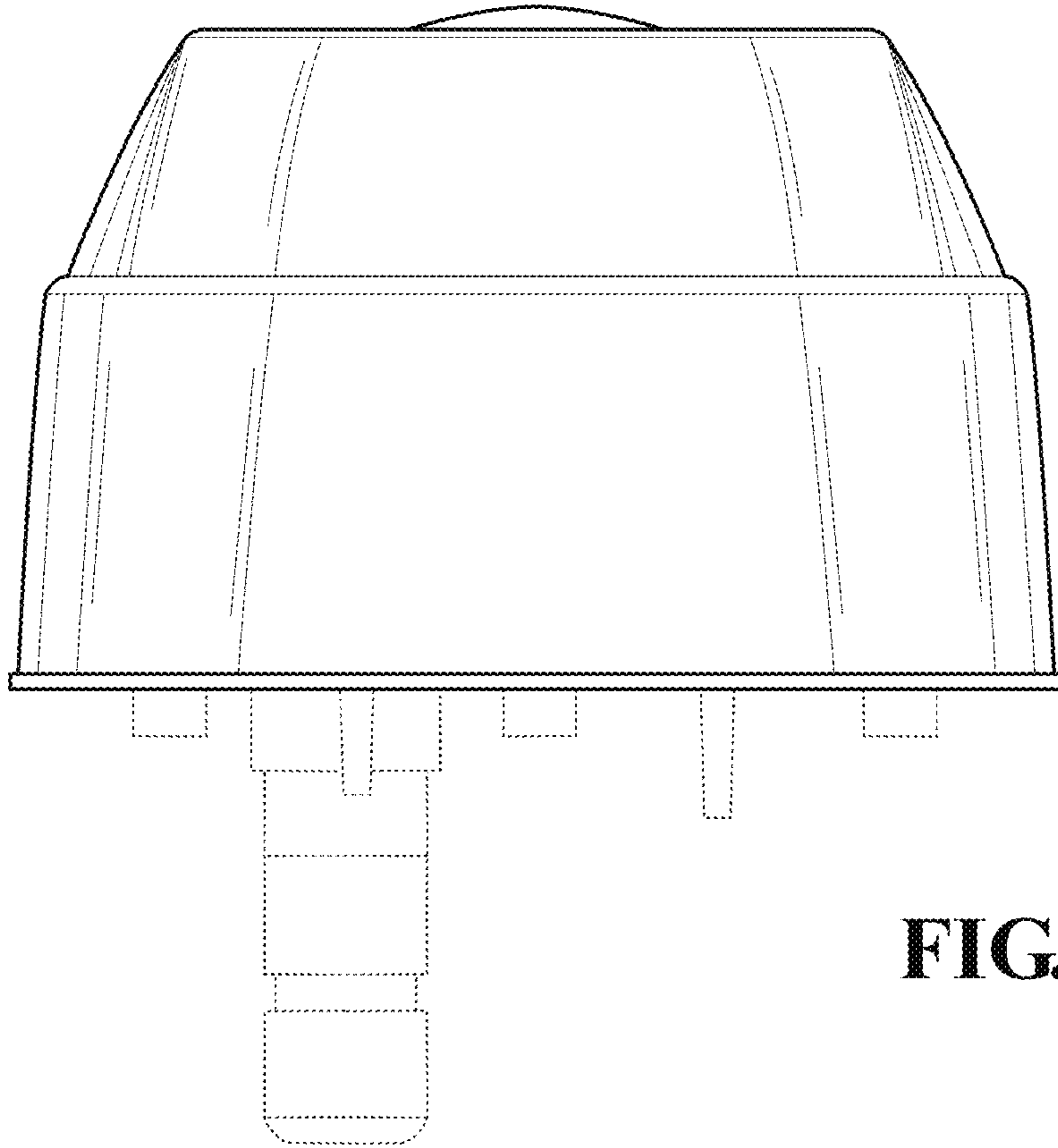
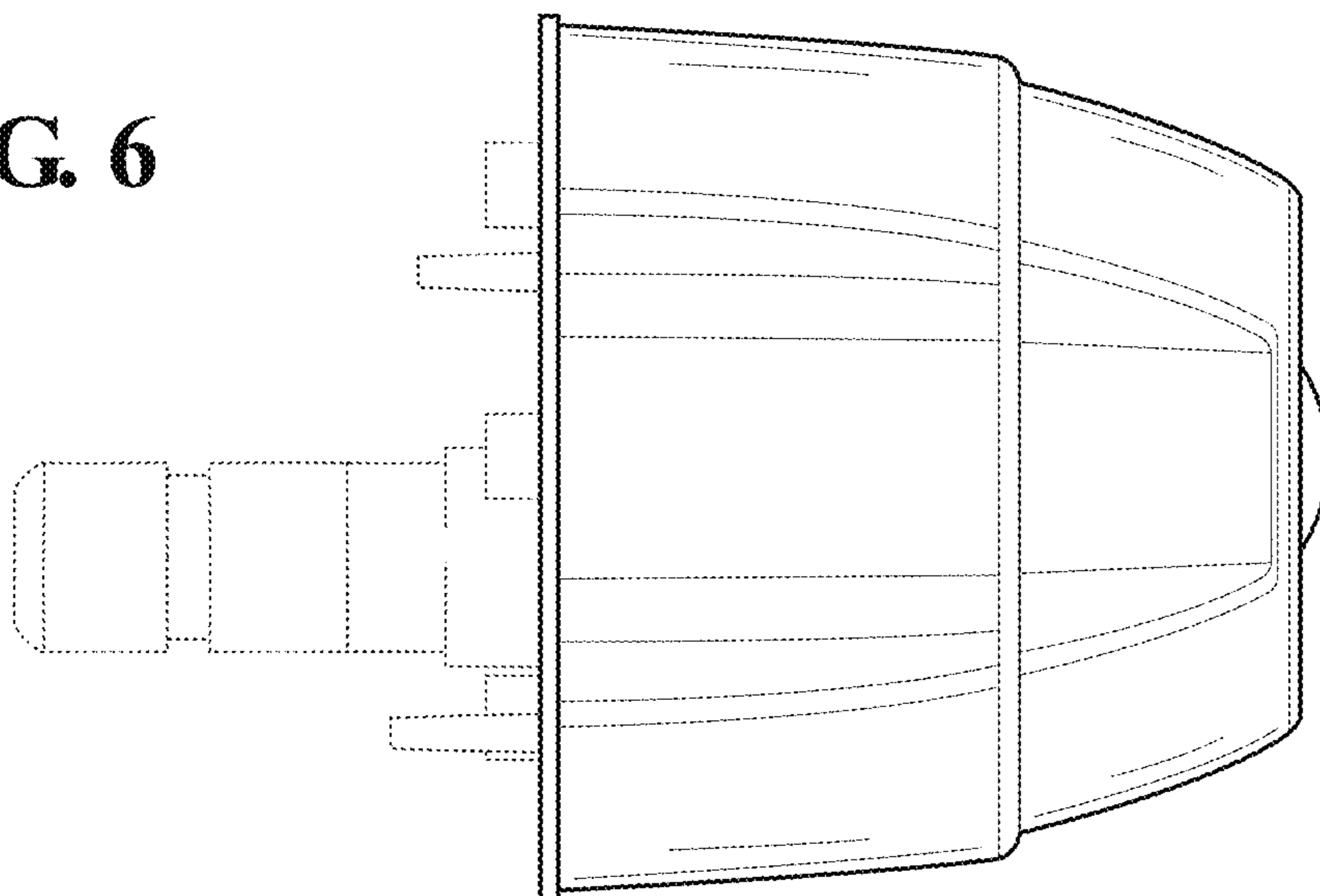


FIG. 5

FIG. 6



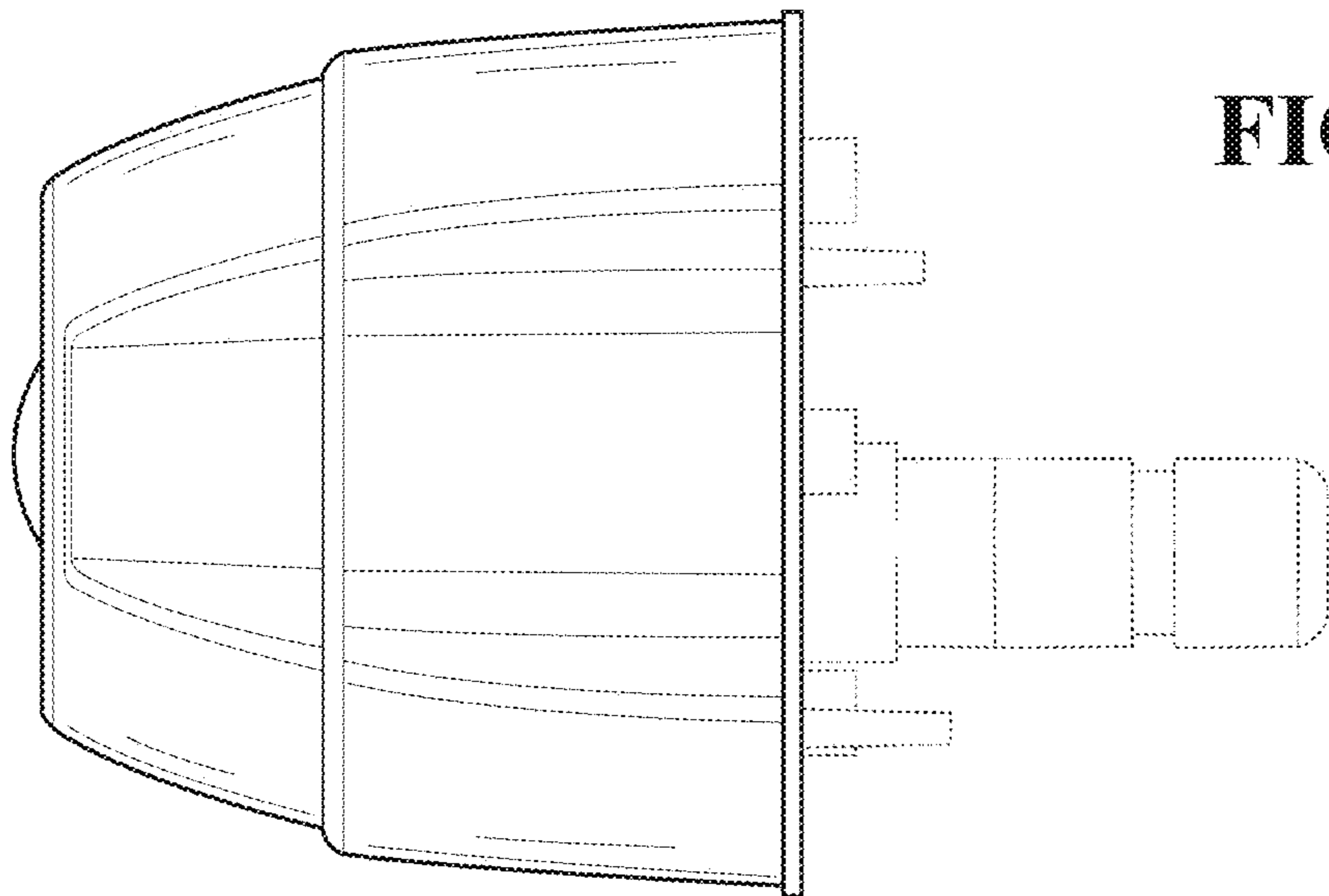


FIG. 7