



US00D874691S

(12) **United States Design Patent**
Dreher

(10) **Patent No.:** **US D874,691 S**

(45) **Date of Patent:** **** Feb. 4, 2020**

(54) **LIGHT FIXTURE**

D841,870 S * 2/2019 Holscher D26/89

(71) Applicant: **Frank Dreher**, Flemington, NJ (US)

* cited by examiner

(72) Inventor: **Frank Dreher**, Flemington, NJ (US)

Primary Examiner — Marcus A Jackson

(**) Term: **15 Years**

(74) *Attorney, Agent, or Firm* — Larry E. Henneman, Jr.;
Baker & Rannells, PA

(21) Appl. No.: **29/613,824**

(57) **CLAIM**

(22) Filed: **Aug. 14, 2017**

The ornamental design for a light fixture, as shown and described.

(51) **LOC (12) Cl.** **26-04**

(52) **U.S. Cl.**
USPC **D26/1**

(58) **Field of Classification Search**

DESCRIPTION

USPC D26/24–26
CPC H01R 5/00; H01R 13/46; H01R 13/514;
H01R 31/048; H01R 31/02; H01J 5/00;
H01J 5/16; H01J 1/02; H01J 15/00; H01J
5/48; H01J 5/50; H01J 19/54; F21V 5/00;
F21K 9/00; F21K 13/00; F21K 9/13;
F21K 9/135; F21K 9/1375

See application file for complete search history.

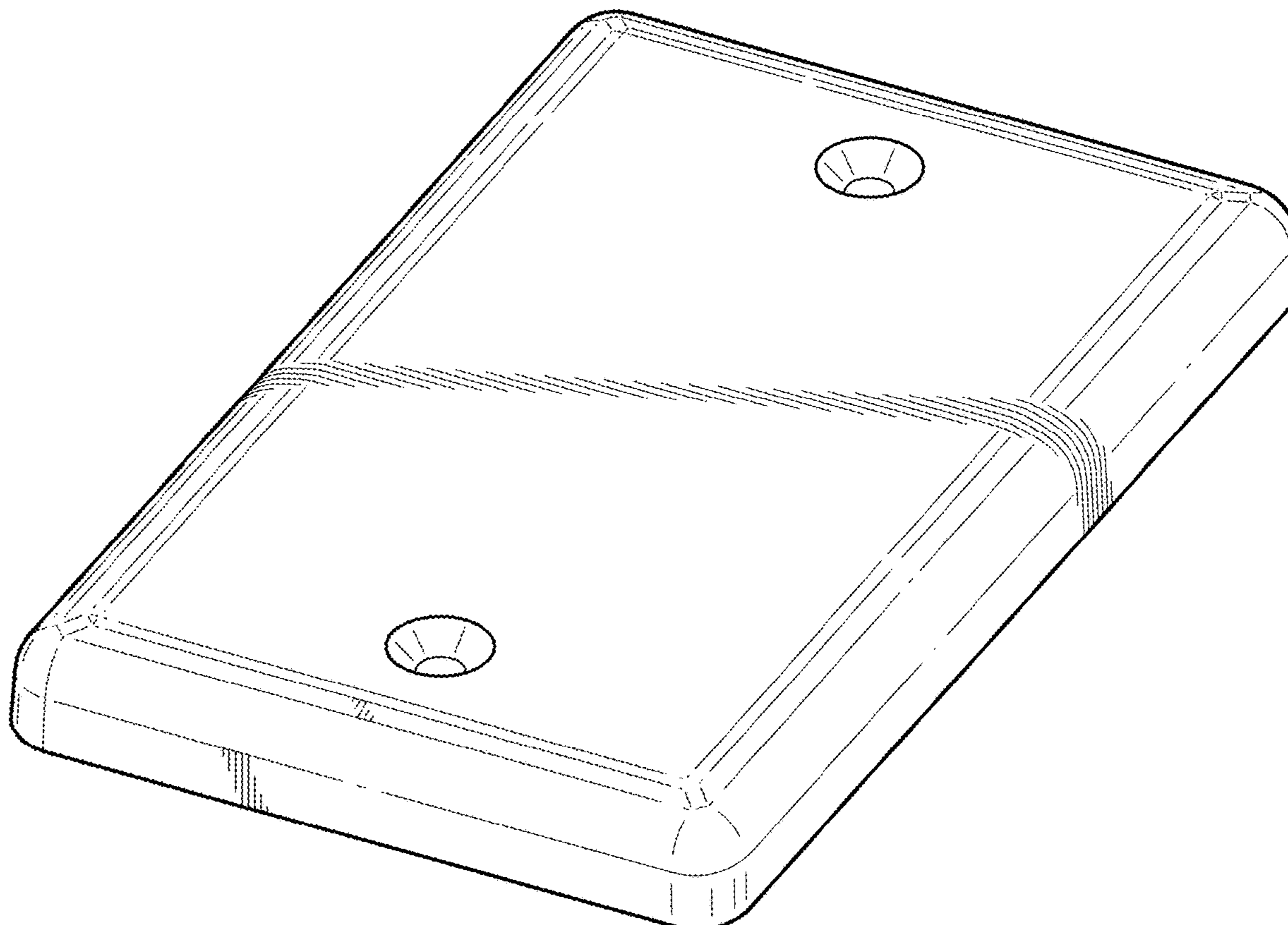
FIG. 1 is an isometric view of substantially the top of a fixture in accordance with the new design;
FIG. 2 is a top plan view of a light in accordance with the new design;
FIG. 3 is left side elevational view thereof, whereby the opposing side is a mirror image;
FIG. 4 is a front elevational view thereof, whereby the rear is a mirror image thereof;
FIG. 5 is bottom plan view thereof; and,
FIG. 6 is an isometric view of substantially the bottom of a fixture in accordance with the new design.
Whereby broken lines form no part of the claimed invention.

(56) **References Cited**

U.S. PATENT DOCUMENTS

D840,575 S * 2/2019 Dyck D26/72

1 Claim, 5 Drawing Sheets



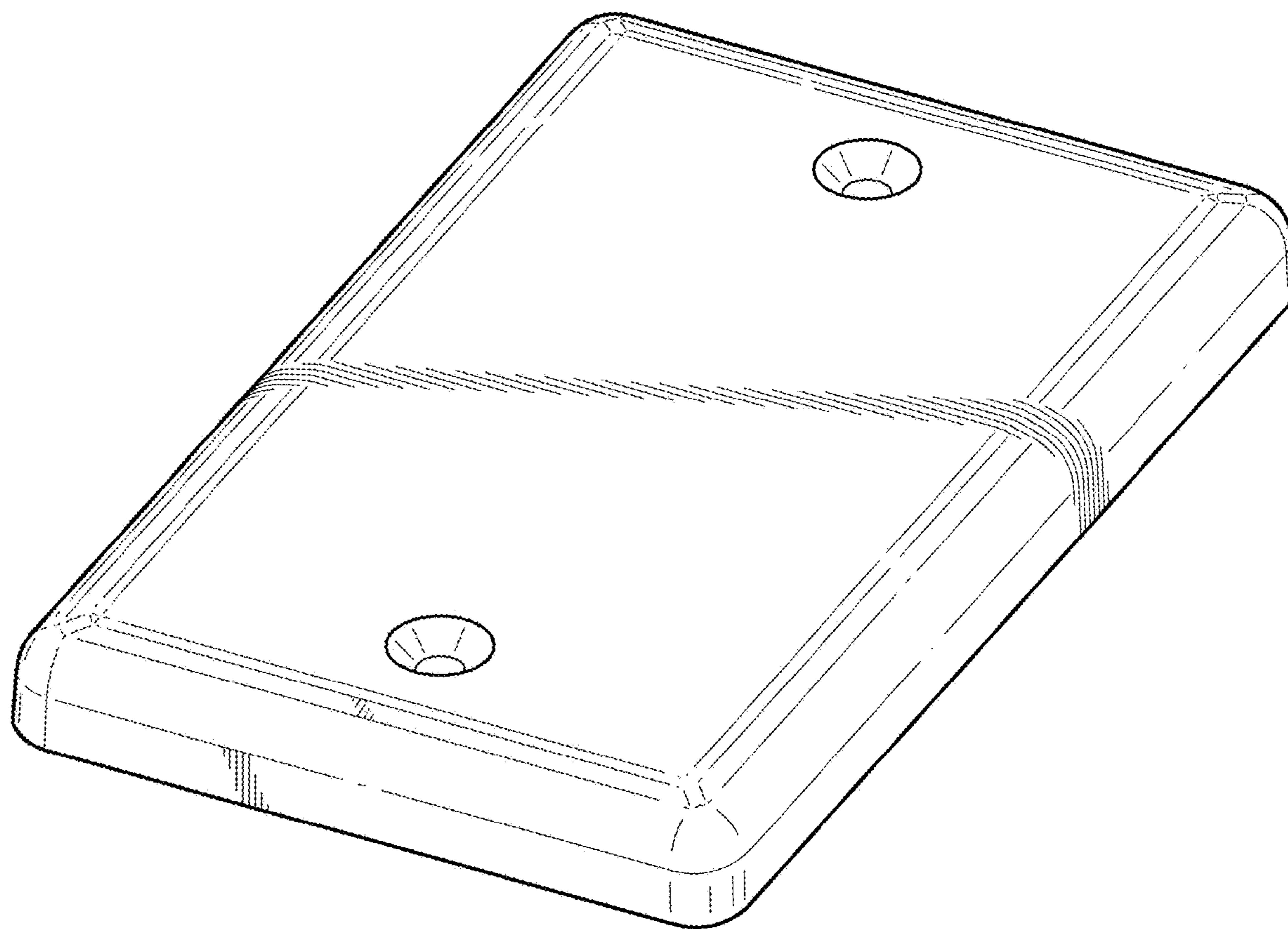


FIG. 1

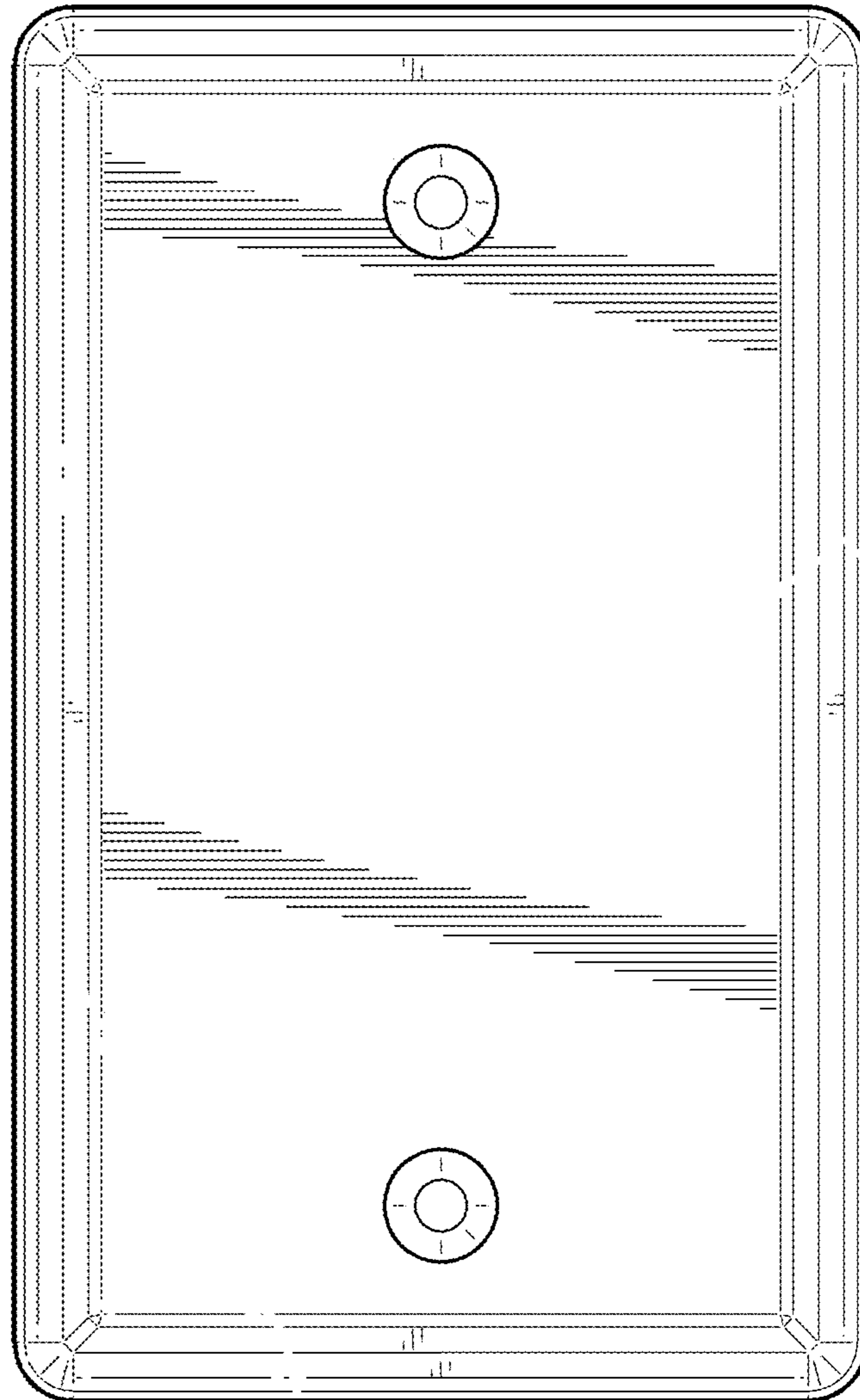


FIG. 2

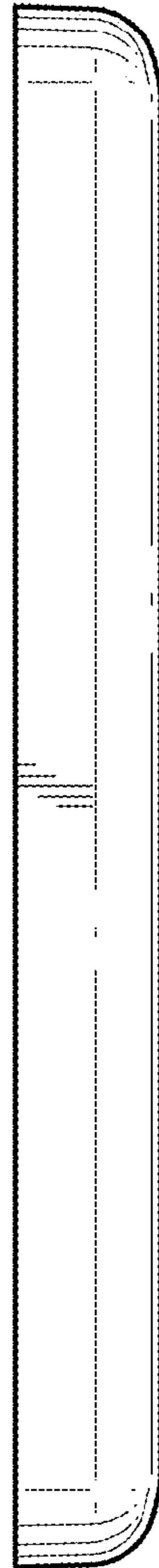


FIG. 3

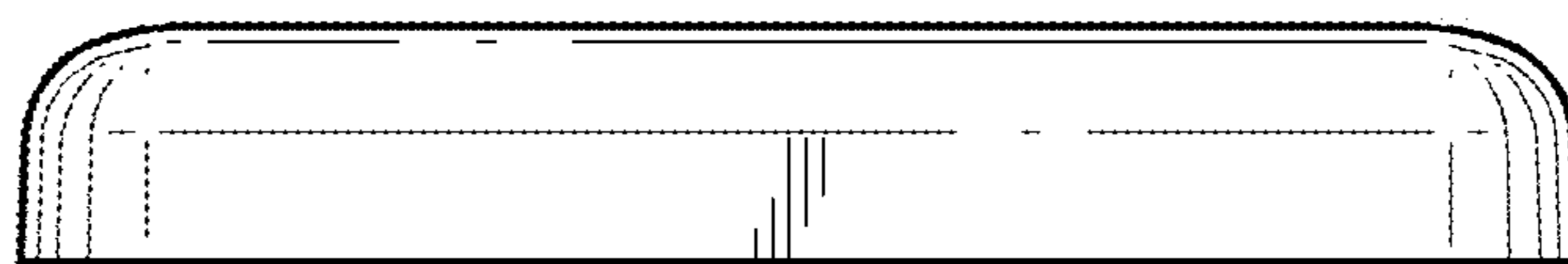


FIG. 4

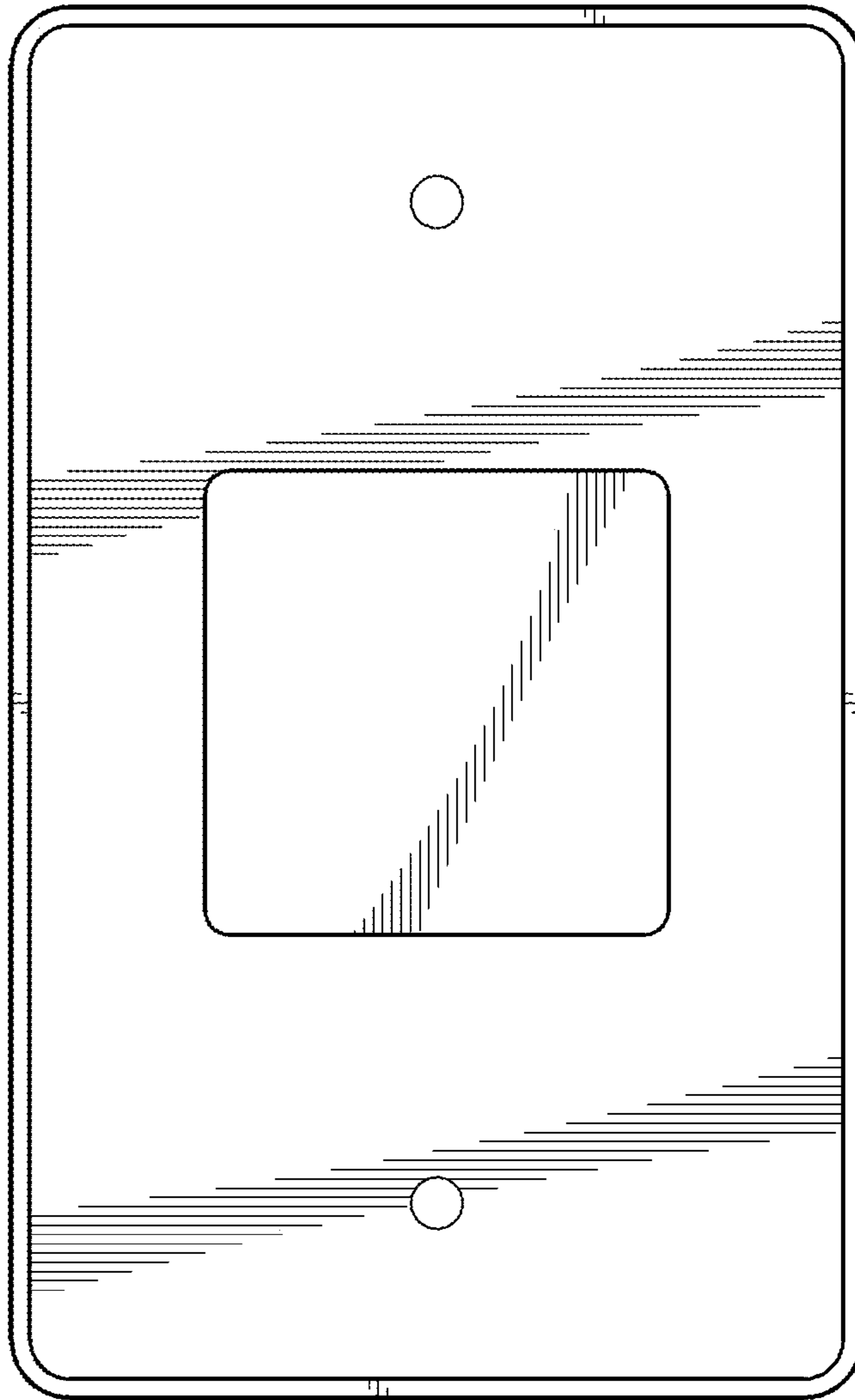


FIG. 5

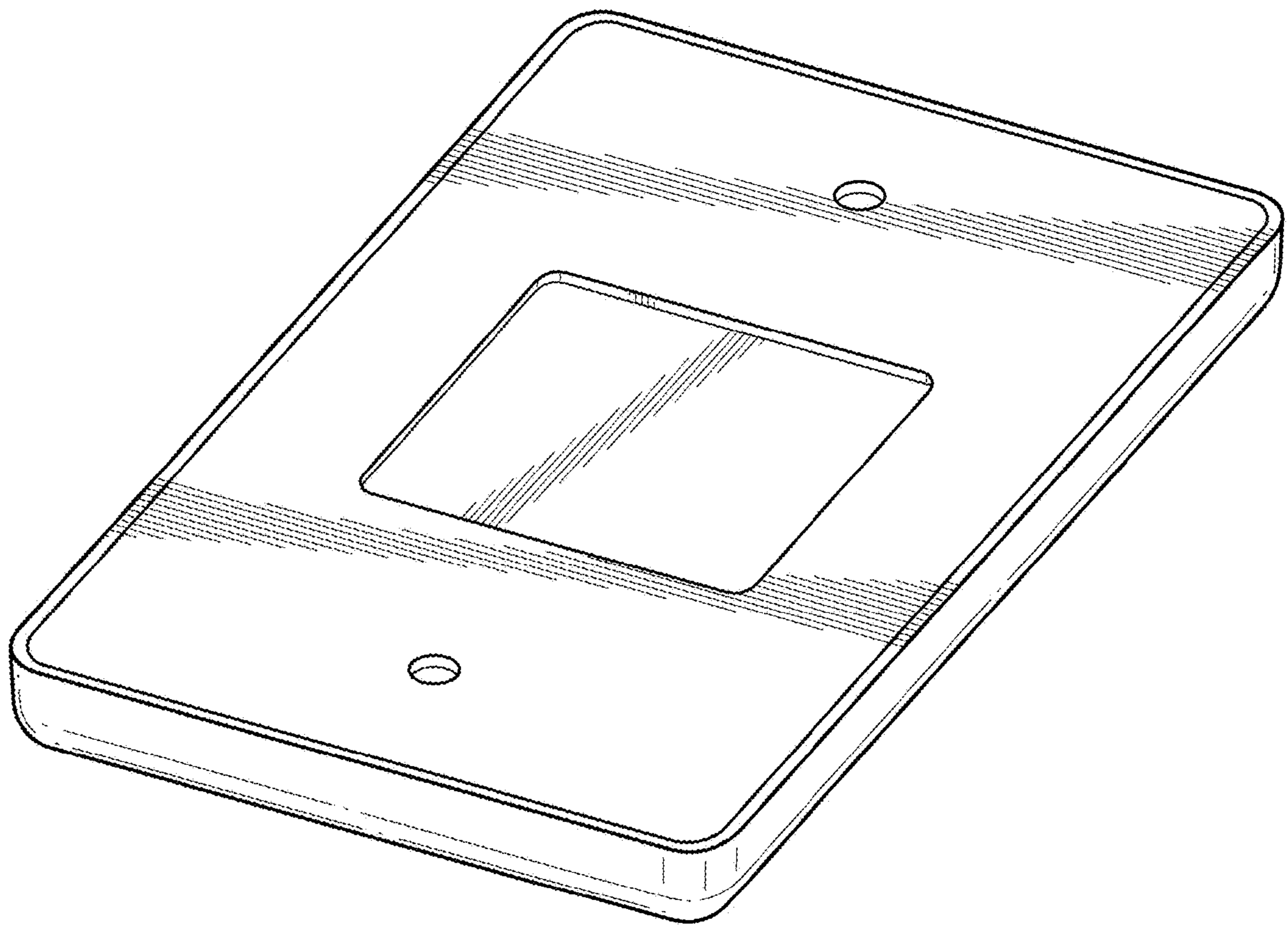


FIG. 6