



US00D874685S

(12) **United States Design Patent** (10) **Patent No.:** **US D874,685 S**
Frick (45) **Date of Patent:** **** Feb. 4, 2020**

(54) **PANEL**
(71) Applicant: **Dolby Laboratories Licensing Corporation**, San Francisco, CA (US)
(72) Inventor: **Paul Frick**, San Francisco, CA (US)
(73) Assignee: **Dolby Laboratories Licensing Corporation**, San Francisco, CA (US)
(**) Term: **15 Years**
(21) Appl. No.: **29/672,813**
(22) Filed: **Dec. 10, 2018**

2,259,646 A 10/1941 Liehburg
D151,715 S 11/1948 Rettinger
2,881,718 A * 4/1959 Peter E04B 7/14
52/18

(Continued)

FOREIGN PATENT DOCUMENTS

CN 302983826 10/2014
EM 002443705-0005 5/2014
EM 002443705-0006 5/2014

OTHER PUBLICATIONS

Alexander Wong, UA Shenzhen, images 5-10 at <http://www.alexanderwong.com.hk/ua_shenzhen.htm>, available at least as early as Oct. 16, 2013.

(Continued)

Related U.S. Application Data

(63) Continuation of application No. 29/568,630, filed on Jun. 20, 2016, now Pat. No. Des. 839,452.
(51) **LOC (12) Cl.** **25-01**
(52) **U.S. Cl.**
USPC **D25/138**
(58) **Field of Classification Search**
USPC D6/332; D25/58, 138; 52/6, 7, 8, 18,
52/82, 630
CPC .. E04B 2/74; E04B 2/7422; E04B 2001/2481;
E04B 1/82; E04B 1/8209; E04B 1/8227;
E04B 1/84; E04B 2001/8263; E04B
2001/8471; E04B 2/7401; E04B 1/8409;
E04B 1/99; E04B 1/3442; E04B 1/34378;
E04B 1/34384
See application file for complete search history.

Primary Examiner — Kevin K Rudzinski
Assistant Examiner — Kimberly Barnes
(74) *Attorney, Agent, or Firm* — Saidman DesignLaw Group, LLC

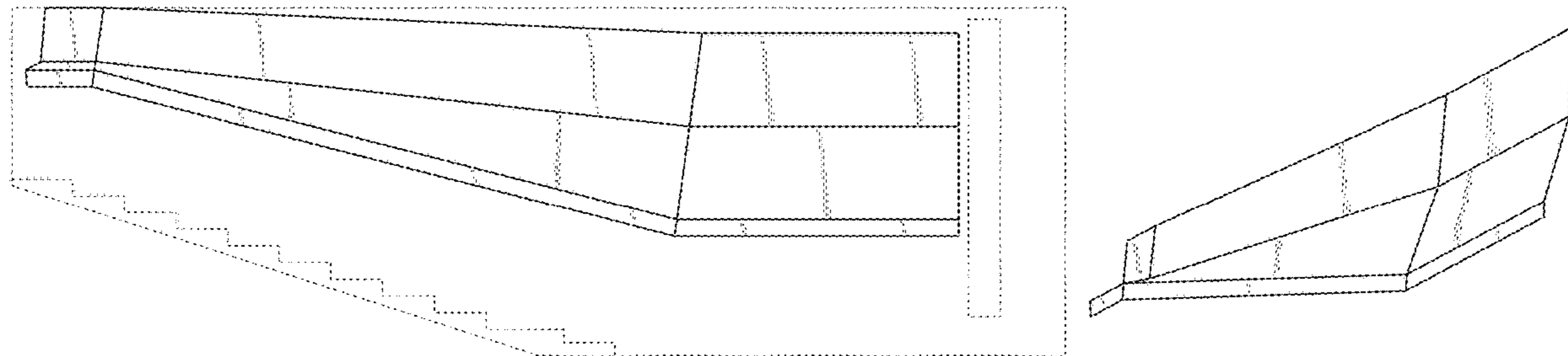
CLAIM

(57) The ornamental design for a panel, as shown and described.

DESCRIPTION

FIG. 1 is a front view of a panel showing my new design in an environment of use;
FIG. 2 is a front view thereof;
FIG. 3 is a rear view thereof;
FIG. 4 is a top view thereof;
FIG. 5 is a bottom view thereof;
FIG. 6 is a front, right perspective view thereof; and,
FIG. 7 is another perspective view thereof.
The broken lines in FIG. 1 illustrate environmental subject matter which forms no part of the claimed design. The broken lines in FIGS. 3, 5, and 7 illustrate portions of the panel which form no part of the claimed design.

1 Claim, 5 Drawing Sheets



(56)

References Cited

U.S. PATENT DOCUMENTS

3,143,194 A * 8/1964 Hart E04B 1/32
52/561
D202,258 S * 9/1965 Jaffe D25/58
3,293,807 A 12/1966 Ramsell
3,321,877 A 5/1967 Alexieff
3,389,513 A * 6/1968 Ruggles E04B 7/107
52/82
3,407,546 A * 10/1968 Yates E04B 1/34384
52/18
3,427,767 A 2/1969 Schaefer
3,439,459 A 4/1969 Silberkuhl
3,531,851 A * 10/1970 Douglas E04B 1/34378
29/434
3,685,220 A 8/1972 Morrison
3,823,517 A 7/1974 Penaloza
3,854,266 A 12/1974 Salas
3,874,141 A 4/1975 Olson et al.
3,893,277 A 7/1975 Constant
D239,279 S 3/1976 Johnson et al.
4,180,950 A 1/1980 Foster
4,227,334 A 10/1980 Hooker
D257,742 S 12/1980 Gerlach
D272,947 S 3/1984 Beasley, III
D286,108 S * 10/1986 Hanlon D6/332
4,672,780 A 6/1987 Lockwood
4,686,799 A 8/1987 Kwake
D292,613 S 11/1987 Schwartz
4,720,945 A 1/1988 Berranger et al.
4,821,471 A 4/1989 Stephens et al.
4,862,652 A * 9/1989 Lockwood E04B 1/3211
52/82
4,962,420 A 10/1990 Judenich
5,069,008 A 12/1991 Ellen
5,469,669 A 11/1995 Alter
5,623,790 A 4/1997 Lalvani
5,822,928 A 10/1998 Maxwell et al.
5,899,842 A 5/1999 Di Pilla
5,964,064 A 10/1999 Goddard et al.
D416,633 S 11/1999 Horton
6,006,476 A 12/1999 Zarnick
6,237,668 B1 * 5/2001 Hitchings A47G 5/00
160/135

D473,952 S 4/2003 Smith et al.
6,935,997 B2 * 8/2005 Kling G06T 17/20
493/356
D551,419 S 9/2007 Kleewein et al.
7,743,880 B2 6/2010 Matsumura et al.
7,794,019 B2 * 9/2010 Hoberman A47C 4/04
108/165
D630,767 S 1/2011 Teuffel et al.
D667,966 S 9/2012 Ismay et al.
D674,114 S 1/2013 Van De Ven
D685,133 S 6/2013 Yamamoto et al.
D725,919 S * 4/2015 Hidalgo D25/58
D739,558 S 9/2015 Oehl et al.
D739,559 S 9/2015 Oehl et al.
D739,560 S 9/2015 Oehl et al.
9,194,117 B2 * 11/2015 Hauptman E04B 1/32
D774,207 S 12/2016 Oehl et al.
9,551,161 B2 1/2017 Oehl et al.
D839,452 S * 1/2019 Frick D25/138
D840,551 S * 2/2019 Kilian D25/138
10,407,904 B2 * 9/2019 Gillette E04B 9/248
2003/0205016 A1 11/2003 Gulbrandsen et al.
2006/0150530 A1 7/2006 Davey
2010/0066818 A1 3/2010 Goto
2016/0153208 A1 6/2016 Oehl et al.

OTHER PUBLICATIONS

Cinema City Cotroceni Megaplex Opens in Bucharest; Global city Holdings at <<http://globalcityholdings.com/a/761,cinema-city-cotroceni-megaplex-opens-in-bucharest-23-november-2009->>>, available at least as early as Nov. 23, 2009.
Panasonic Center Osaka, Case Study—Projector, Panasonic, available at least as early as Nov. 30, 2014.
<http://archpaper.com/2011/11/wris-allen-theater-renovation-eventscape/>, posted Nov. 4, 2011.
<http://www.photonics.com/Article.aspx?AID-57609> Available Aug. 2015.
<http://www.behance.net/gallery/3806845/Photoshoot-Allen-Theatre-Cleveland-Ohio>, published May, 1, 2012.
<http://www.youtube.com/watch?v=jvehbm4Qz-c>, posted Dec. 5, 2014.

* cited by examiner

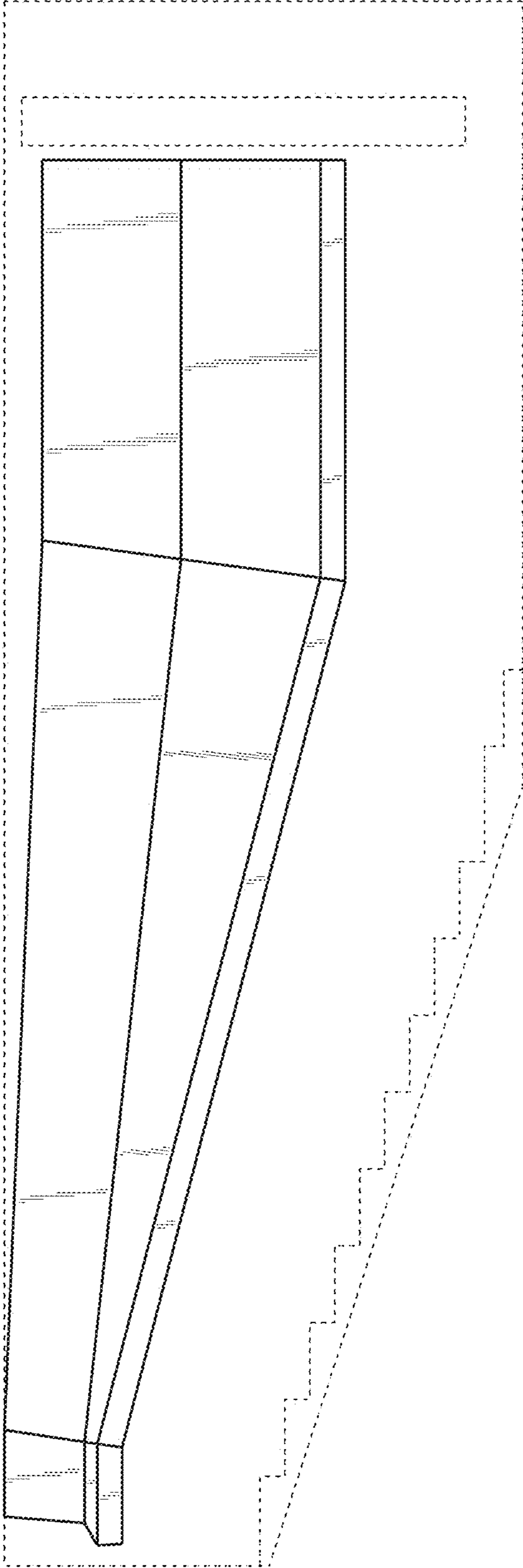


FIG. 1

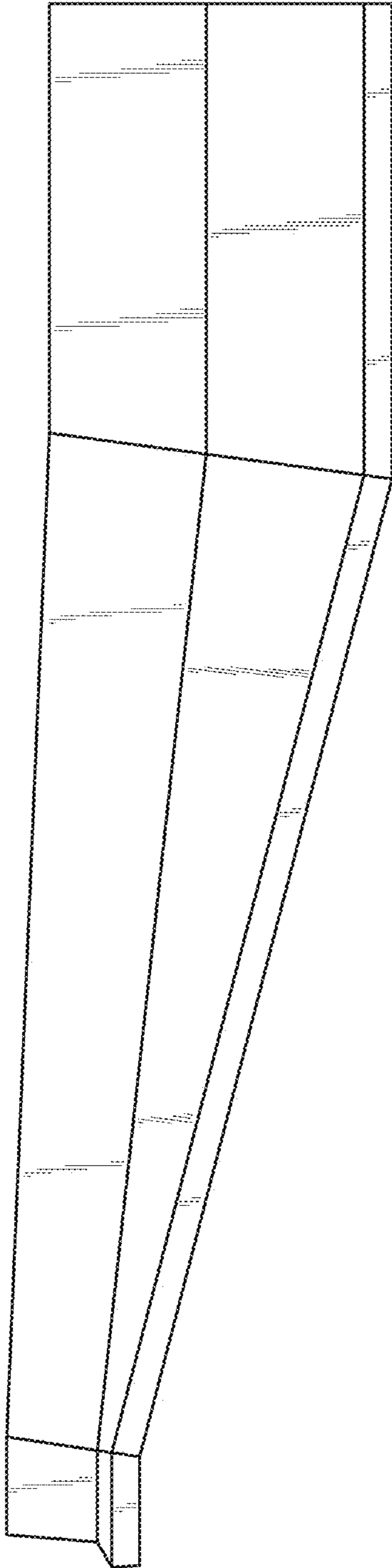


FIG. 2

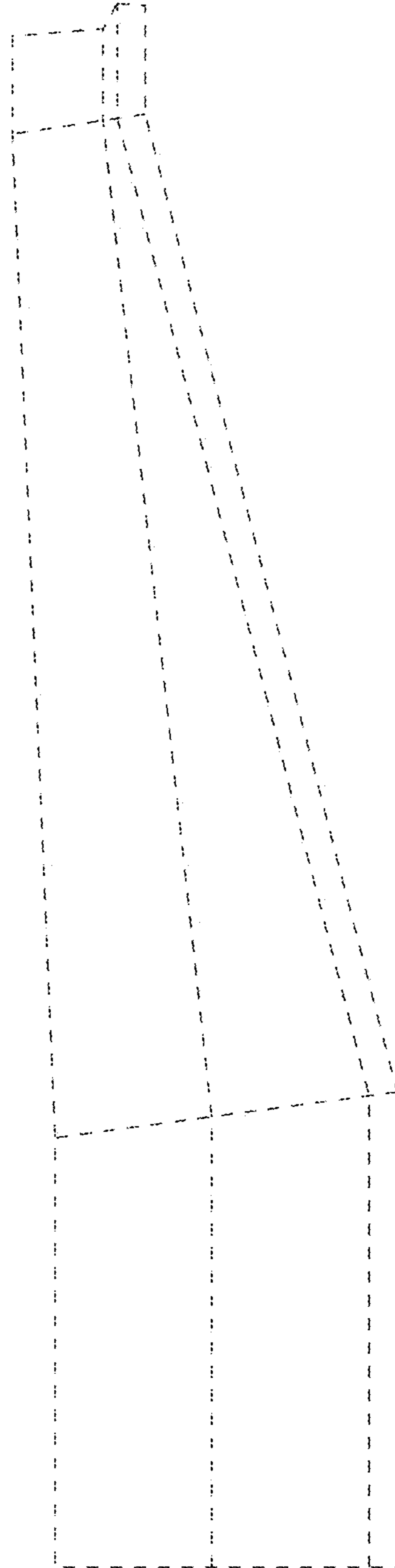


FIG. 3

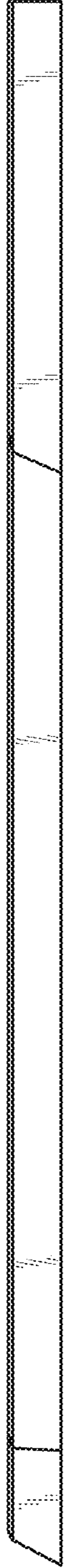


FIG. 4

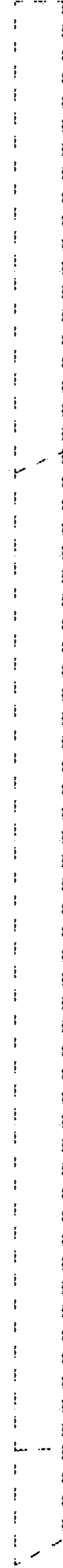


FIG. 5

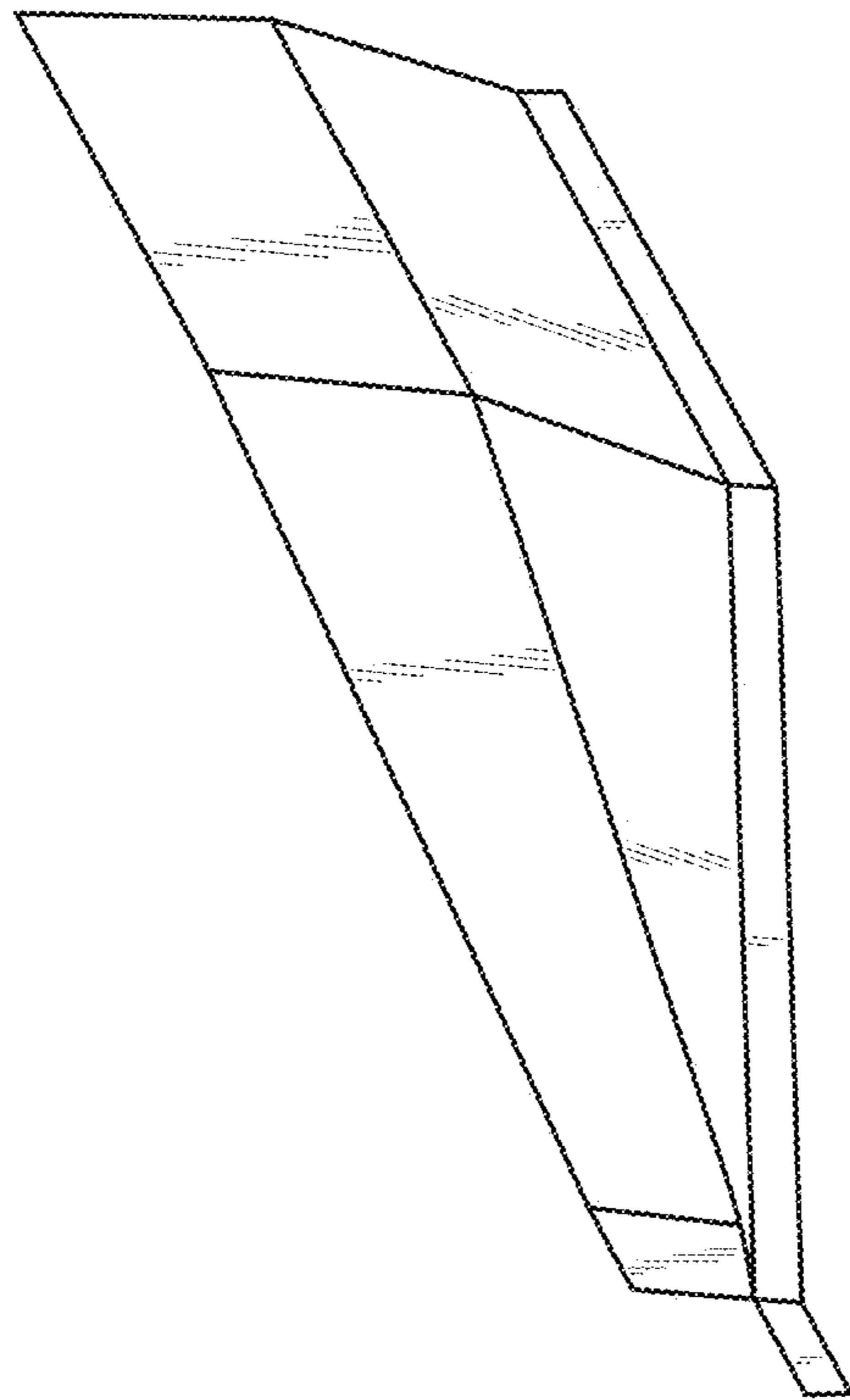


FIG. 6

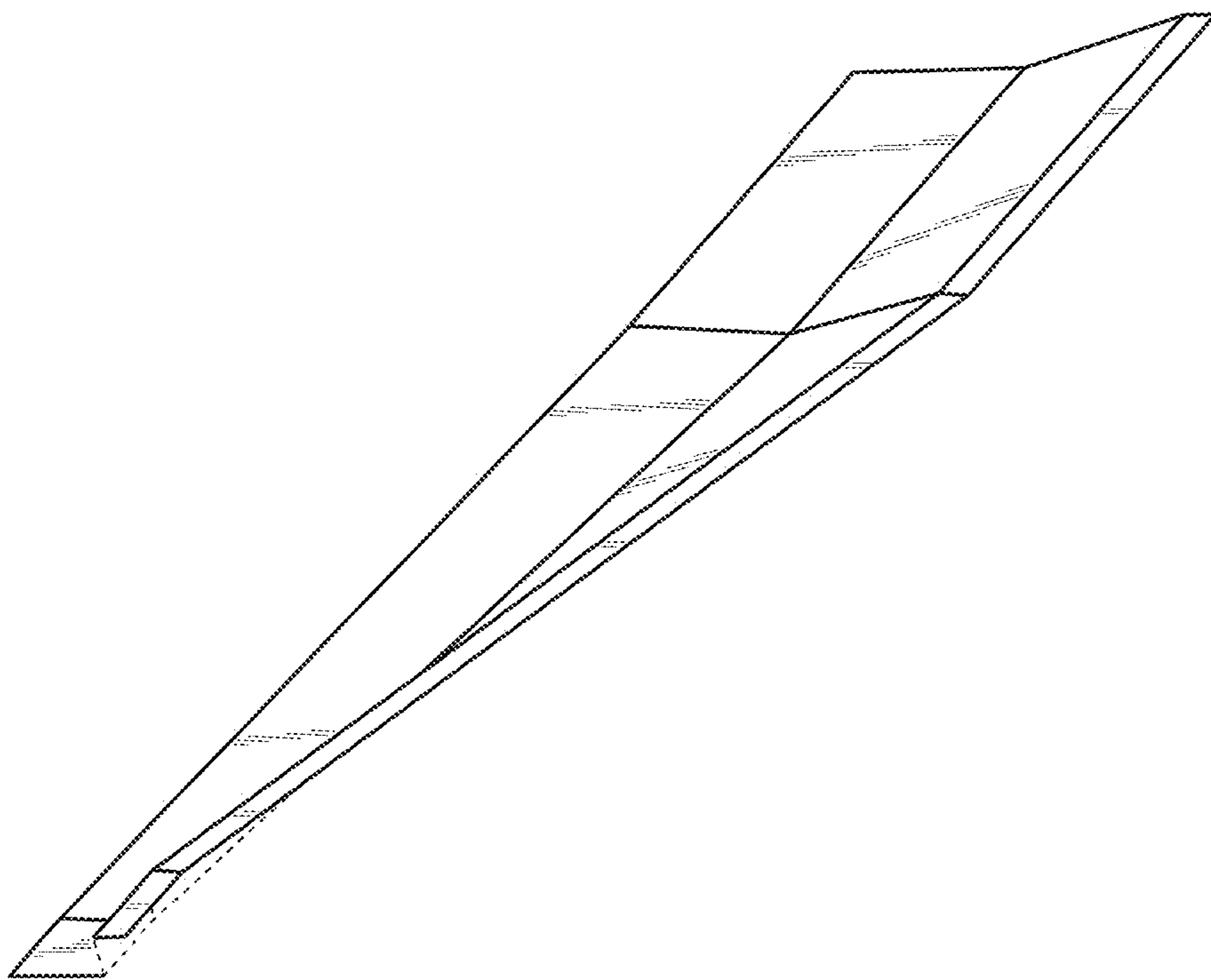


FIG. 7