



US00D874681S

(12) **United States Design Patent** (10) **Patent No.:** **US D874,681 S**
Tech (45) **Date of Patent:** **** Feb. 4, 2020**

- (54) **SLOTTED ANGLE STANCHION**
- (71) Applicant: **Dtech Communications, Inc.**, San Diego, CA (US)
- (72) Inventor: **Darang Tech**, San Diego, CA (US)
- (73) Assignee: **Dtech Communications, Inc.**, San Diego, CA (US)
- (**) Term: **15 Years**
- (21) Appl. No.: **29/614,569**
- (22) Filed: **Aug. 21, 2017**

Related U.S. Application Data

- (63) Continuation of application No. 29/476,461, filed on Dec. 13, 2013, now Pat. No. Des. 799,069.
- (51) **LOC (12) Cl.** **25-01**
- (52) **U.S. Cl.**
USPC **D25/126; D25/133**
- (58) **Field of Classification Search**
USPC D25/126-134; 52/831, 833, 294, 297, 52/292, 295, 296, 299, 596, 741.1, 309.4, 52/607, 605; 256/65.14, 46
CPC E04H 17/22; E04H 17/20; E04H 17/18; E04H 17/00; E04H 17/14; E04H 17/1404; E04H 17/1417; E04H 17/1421; E04H 17/168; E04H 12/22; E04H 12/2238; E04H 12/2246; E04H 12/2253; E04H 12/2269; E04H 12/20; E04H 12/2261; E04H 12/2292; E04H 12/24; E04H 12/2276; E01F 13/00; E01F 13/02; E01F 13/022; E01F 13/024; E01F 13/028; E01F 15/00; E01F 15/14; E01F 15/10; E01F 15/088; E01F 15/085; E01F 15/083; E01F 15/08; E01F 15/006; E01F 15/025; E01F 15/0446; E01F 15/0461; E01F 15/0476; E01F 9/688; E01F 9/692; E04C 3/00

See application file for complete search history.

- (56) **References Cited**
U.S. PATENT DOCUMENTS
697,310 A * 4/1902 Younglove E02D 27/02 52/292
1,684,894 A * 9/1928 Smiley, Jr. E04F 11/1812 52/223.5
4,091,587 A 5/1978 Depka
4,408,398 A 10/1983 Glaze
5,095,633 A 3/1992 Barnett
D356,416 S 3/1995 Winslow
D368,569 S 4/1996 Winslow
6,571,521 B1 6/2003 Ameigh
6,830,236 B2 12/2004 Augusto de Lorenzo
7,470,091 B2 12/2008 Scholl
D600,364 S * 9/2009 Boardman D25/133
(Continued)

Primary Examiner — Susan Moon Lee
(74) *Attorney, Agent, or Firm* — Lewis Kohn & Walker LLP; Kent M. Walker; Kari Moyer-Henry

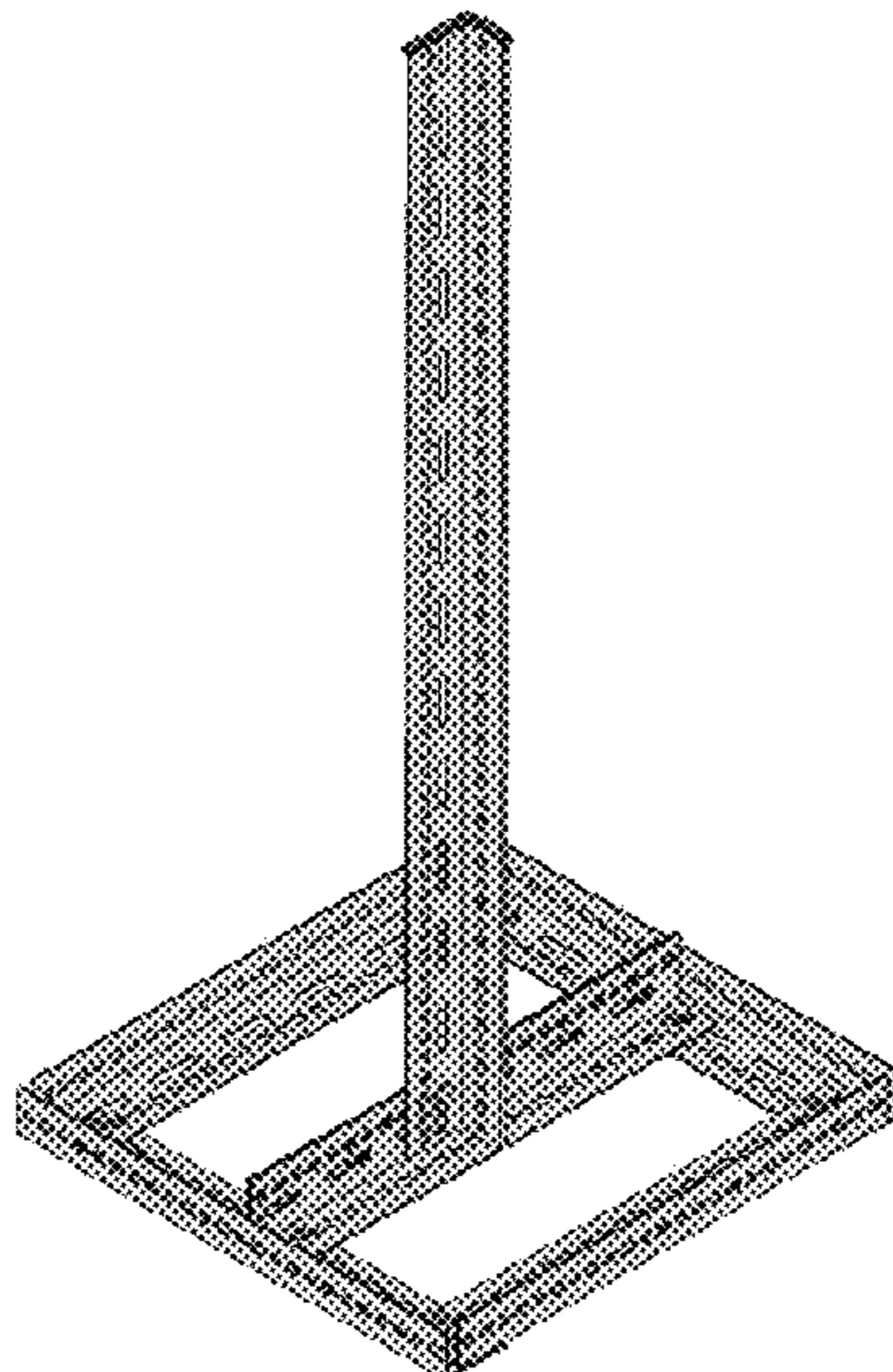
(57) **CLAIM**

The ornamental design for a slotted angle stanchion, as shown and described.

DESCRIPTION

FIG. 1 is a right, front perspective view of a slotted angle stanchion in accordance with the present design; FIG. 2 is a left, back perspective view thereof; FIG. 3 is a front view thereof; FIG. 4 is a right side view thereof; FIG. 5 is a left side view thereof; FIG. 6 is a back view thereof; FIG. 7 is a top view thereof; FIG. 8 is a bottom view thereof; and, FIG. 9 is an enlarged, close-up top perspective view of a portion of the post component of the slotted angle stanchion.

1 Claim, 9 Drawing Sheets



(56)

References Cited

U.S. PATENT DOCUMENTS

D610,717 S * 2/2010 Lin E04H 12/2261
 D25/133
 8,117,798 B2 2/2012 Bergman
 8,757,598 B1 * 6/2014 Jones E04H 12/2276
 248/346.03
 D725,296 S 3/2015 Taylor
 D725,297 S 3/2015 Taylor
 D732,708 S * 6/2015 Stauffer D25/133
 9,102,092 B2 8/2015 Mukith
 9,145,683 B2 9/2015 Matys
 9,366,052 B1 * 6/2016 Warner E04H 12/2269
 D767,167 S * 9/2016 Masuda D25/133
 9,447,603 B2 9/2016 Simmons
 D799,069 S * 10/2017 Tech D25/126
 D819,232 S * 5/2018 Santjer E04G 17/064
 D25/133
 D831,232 S * 10/2018 Dionne D25/126

2002/0112427 A1 8/2002 Baldwin
 2005/0252124 A1 * 11/2005 Bergman E04H 12/2253
 52/296
 2006/0186391 A1 8/2006 Hansen
 2009/0101779 A1 4/2009 Snider
 2010/0024335 A1 2/2010 Bianco
 2011/0303665 A1 * 12/2011 Wilson B65D 90/36
 220/89.1
 2012/0321826 A1 * 12/2012 Mukith B29C 65/565
 428/34.1
 2015/0082735 A1 * 3/2015 Truckner E04B 1/2608
 52/655.1
 2015/0197957 A1 * 7/2015 Anderson E04H 12/2246
 52/126.5
 2015/0225919 A1 * 8/2015 Wagler E02D 27/42
 52/166
 2016/0123035 A1 * 5/2016 Simmons E04H 17/22
 256/65.14
 2019/0203494 A1 * 7/2019 West E04H 12/2253

* cited by examiner

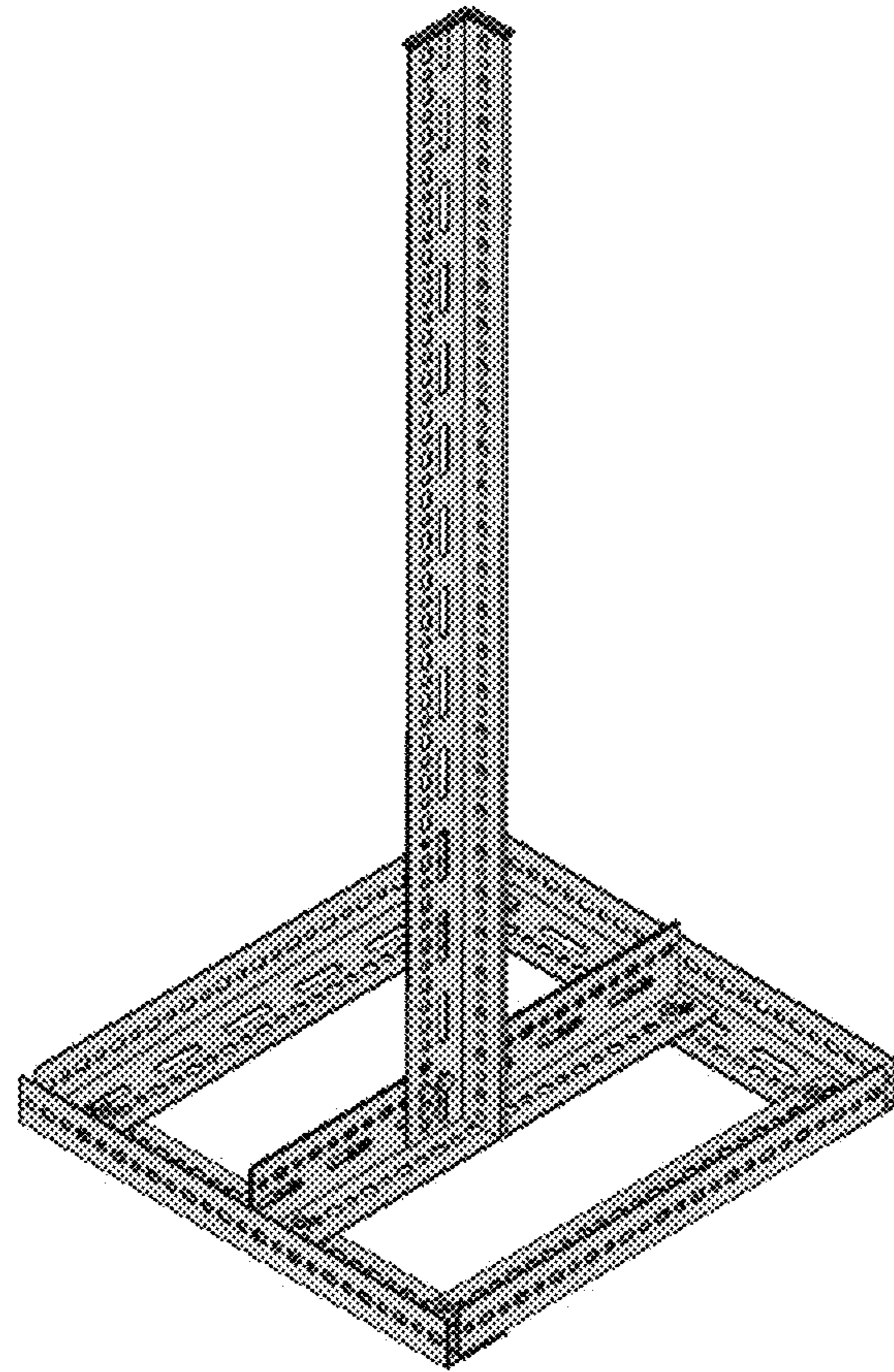


Fig. 1

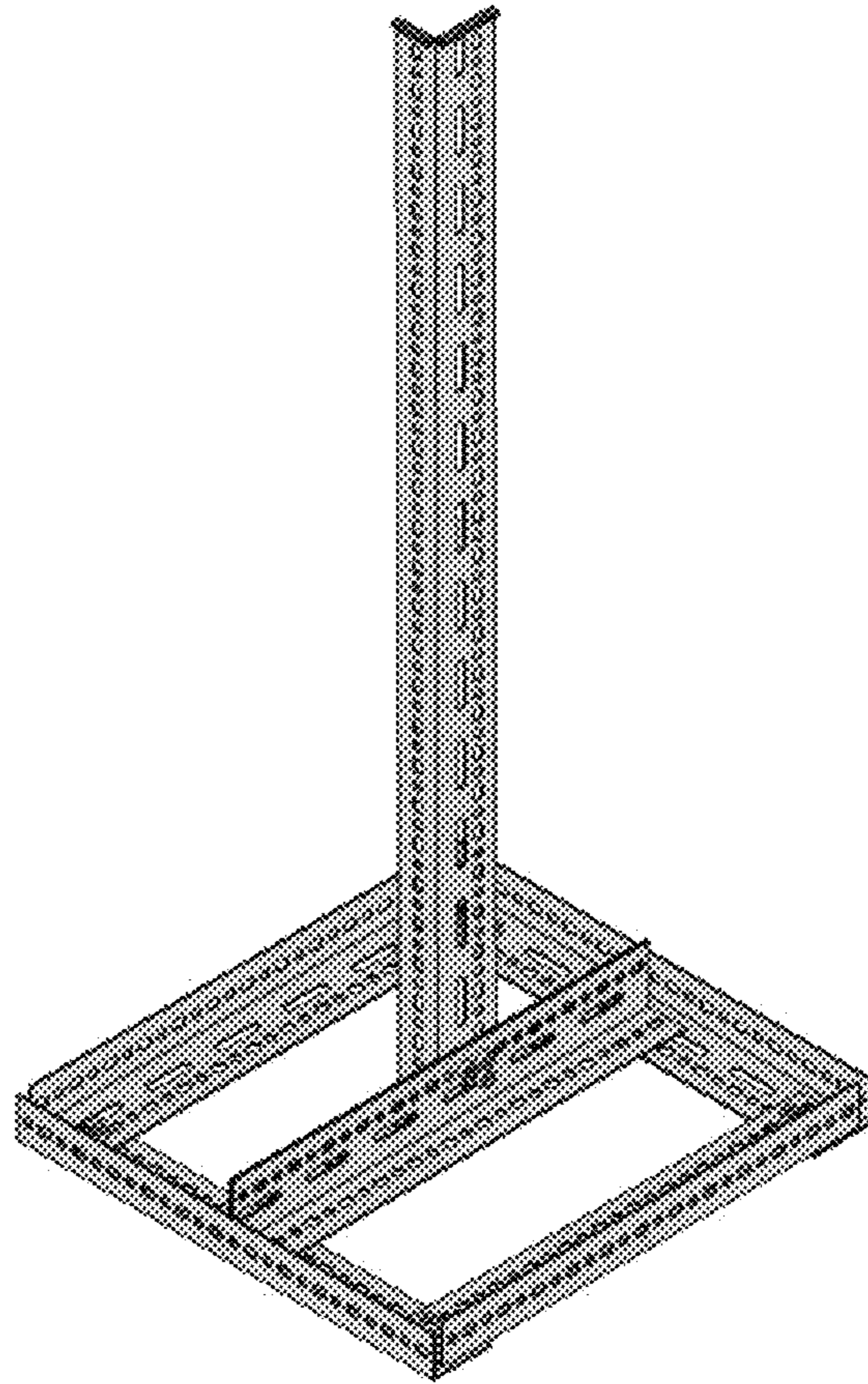


Fig. 2

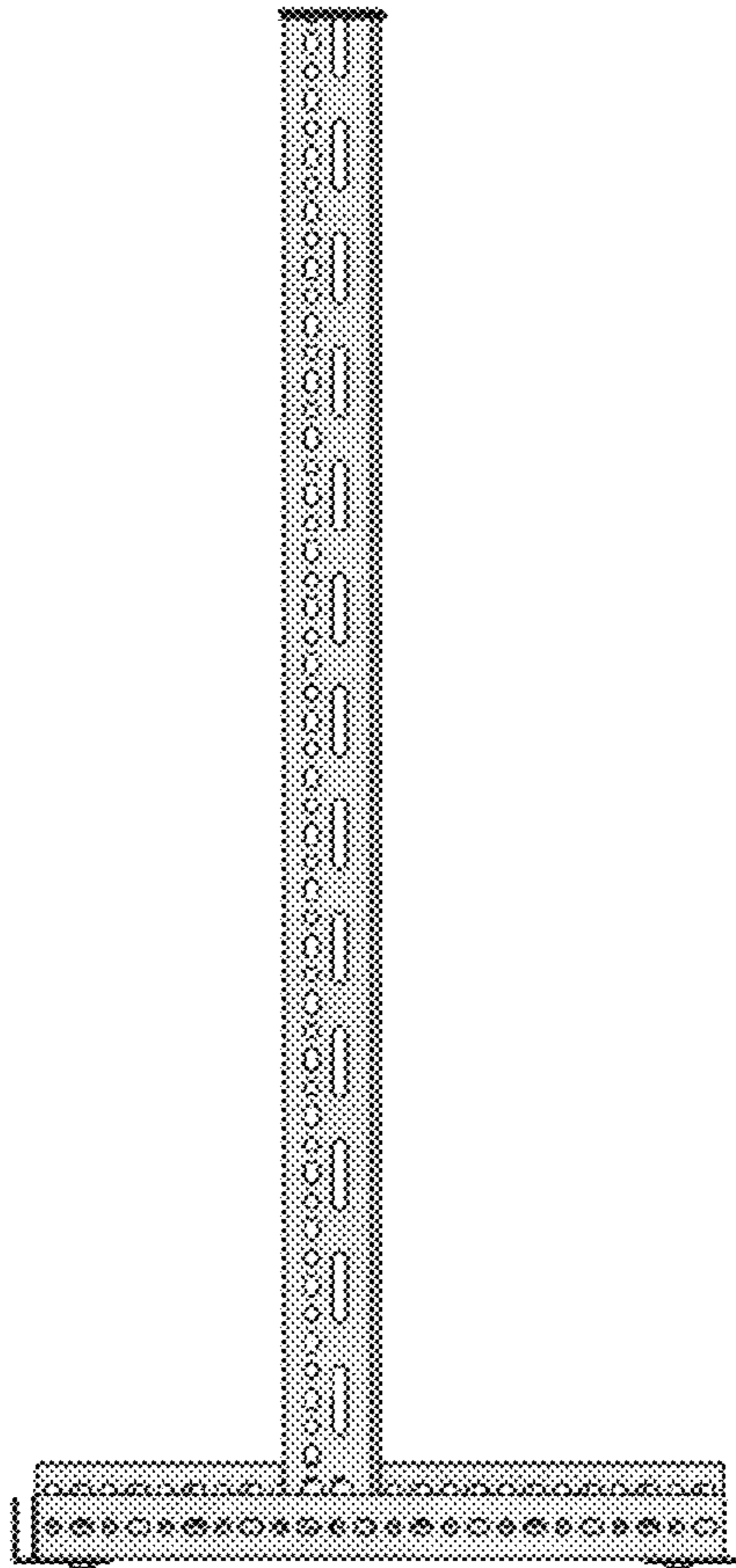


Fig. 3

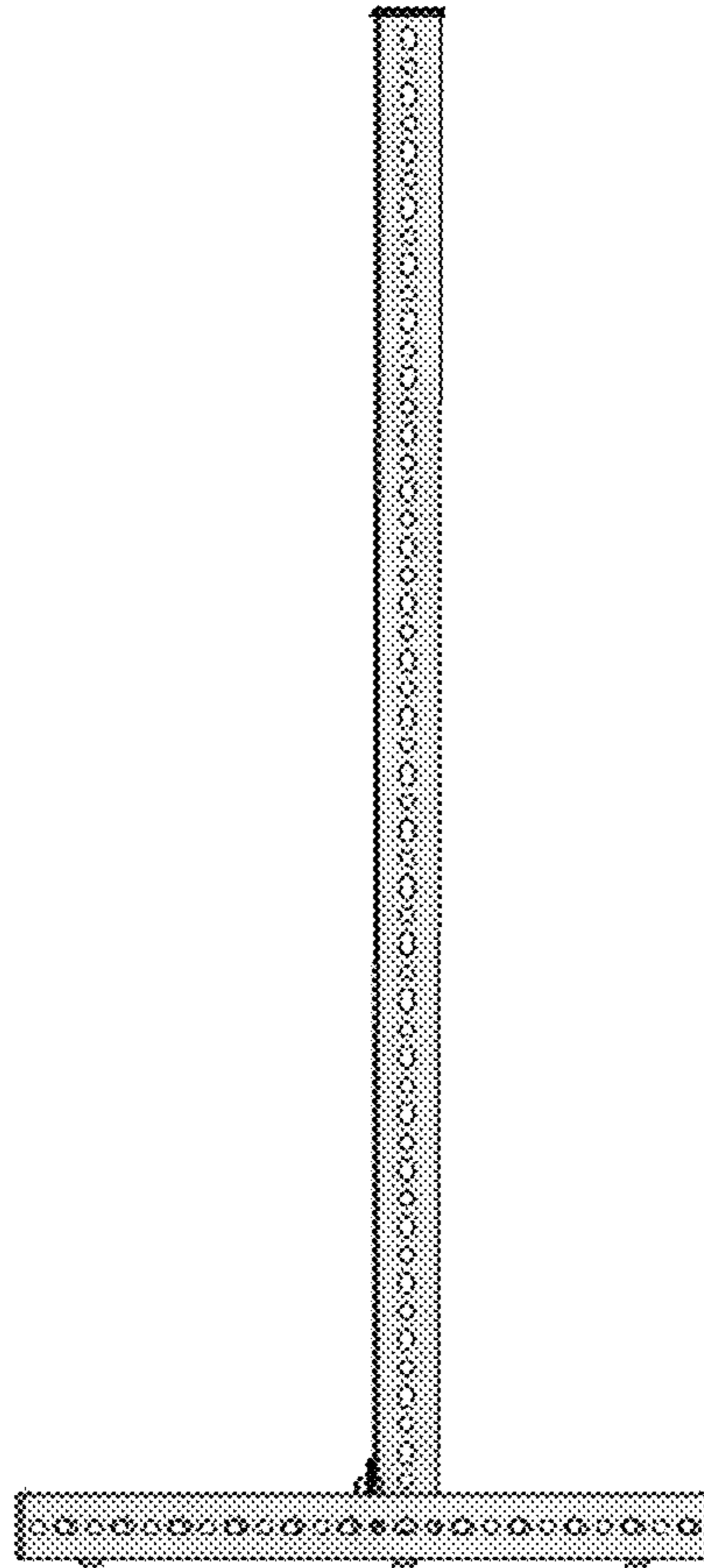


Fig. 4

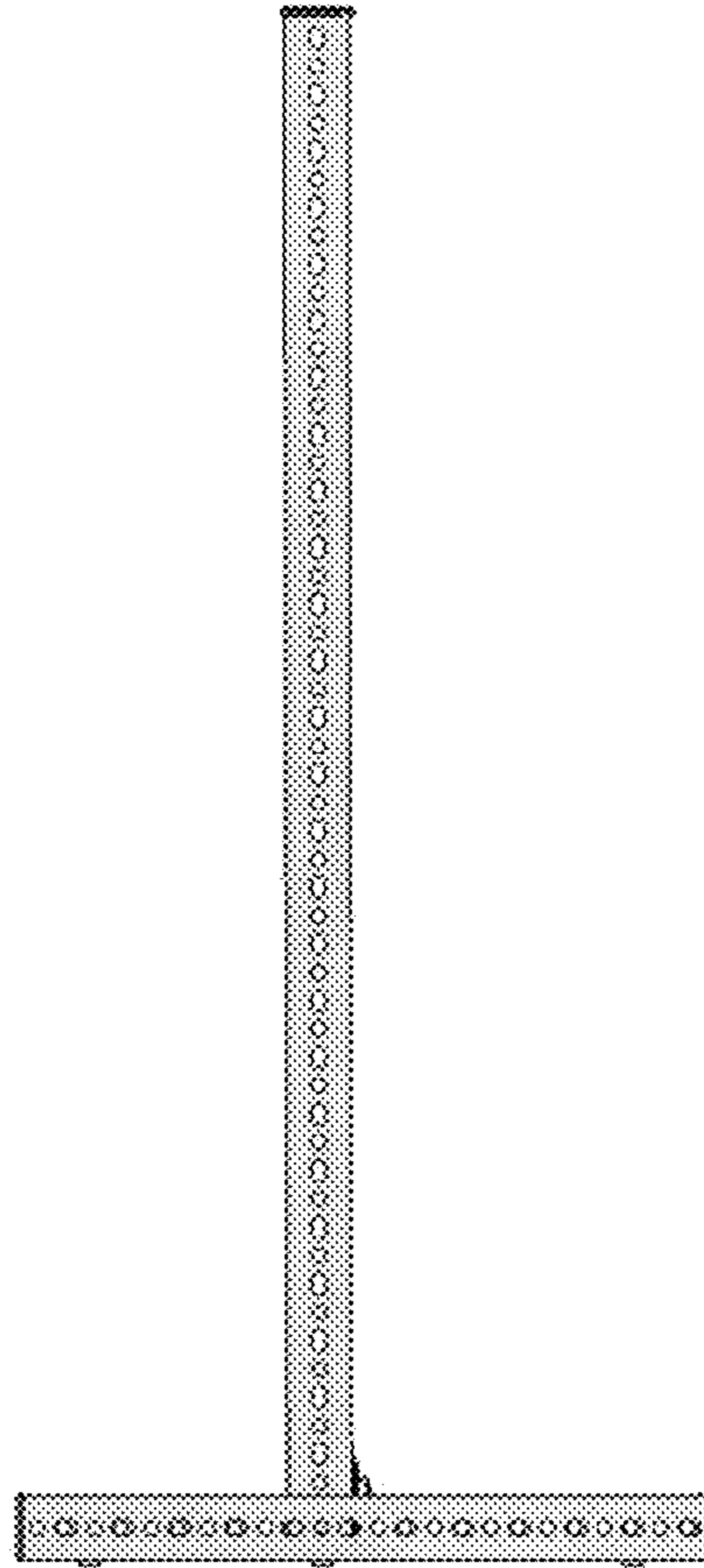


Fig. 5

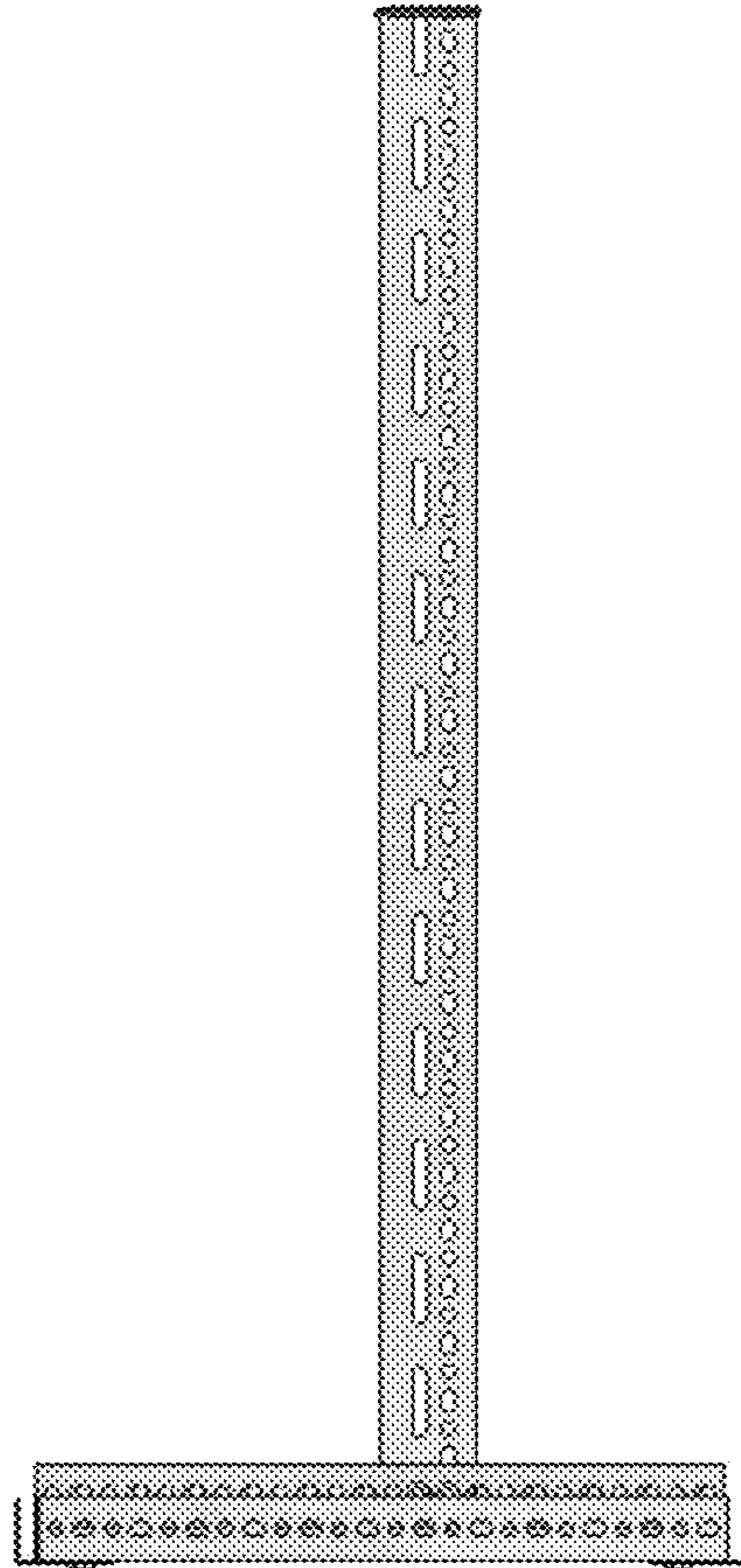


Fig. 6

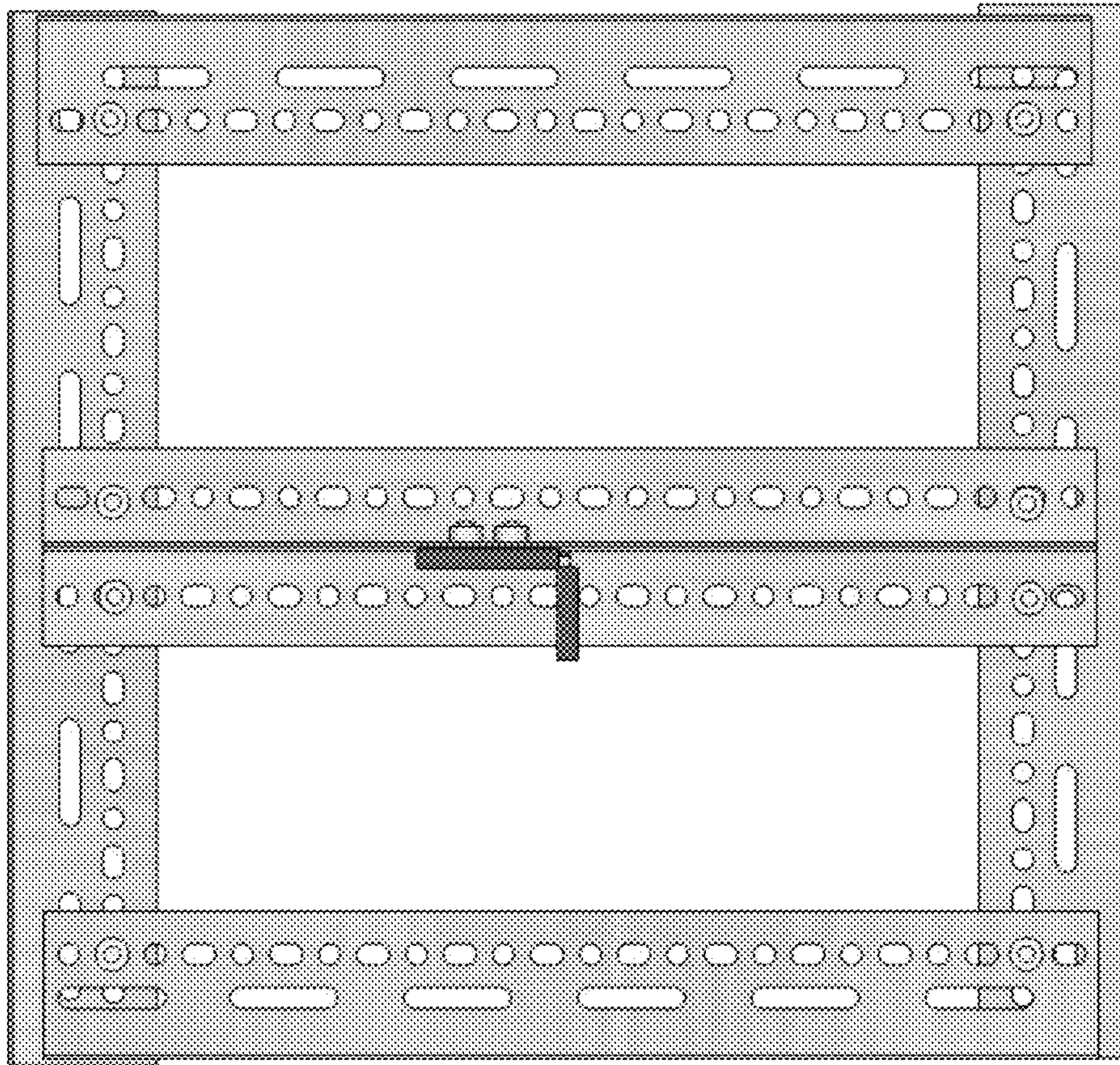


Fig. 7

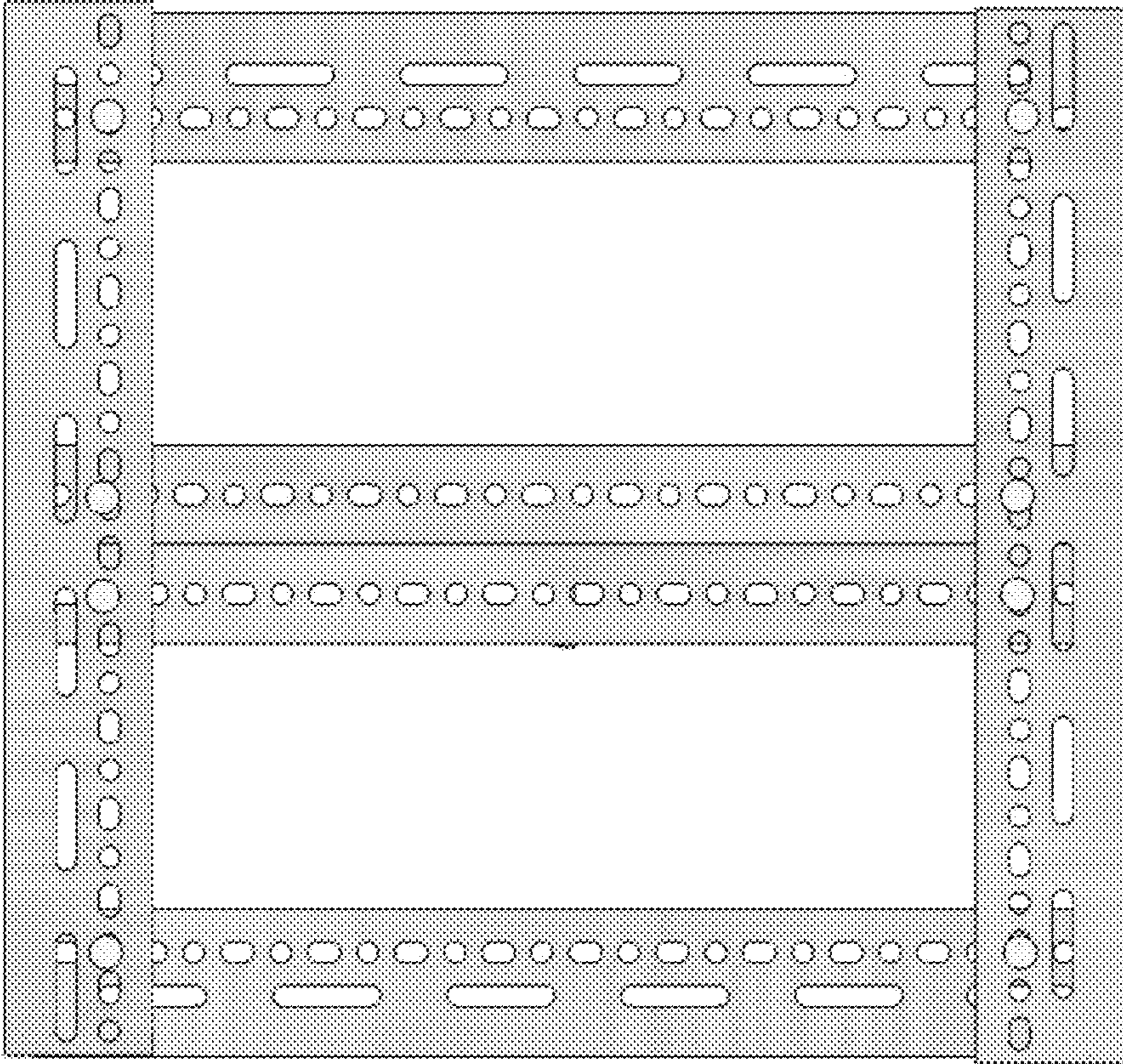


Fig. 8

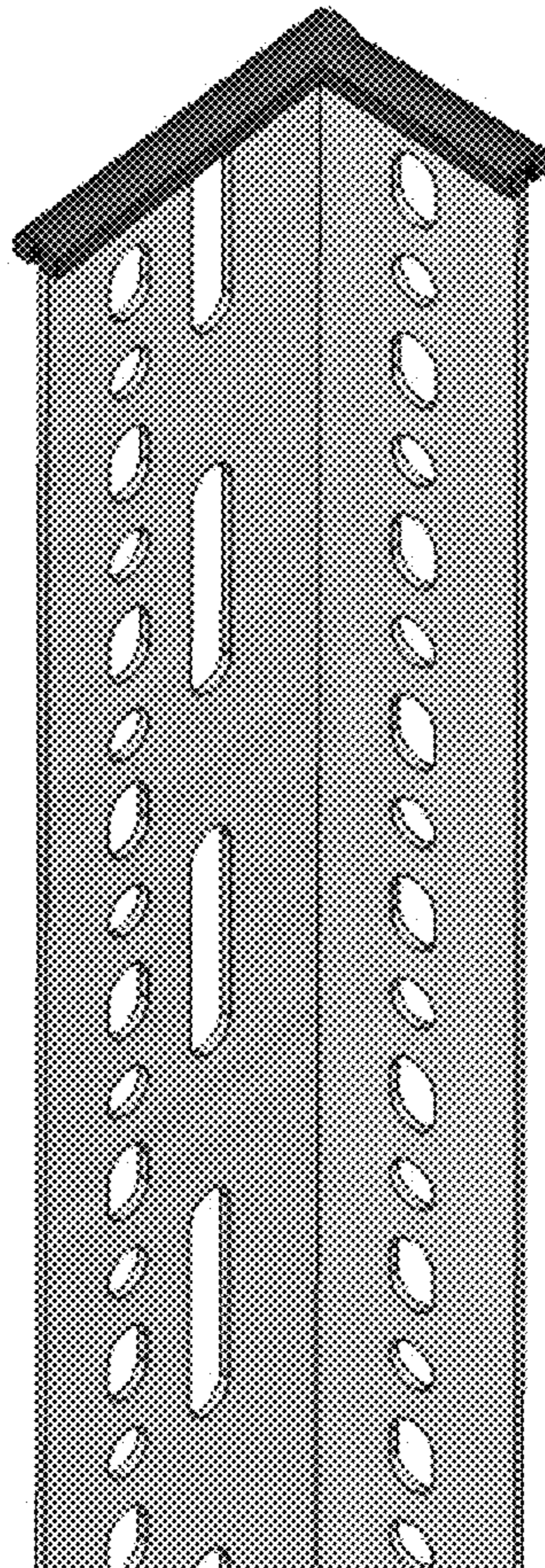


Fig. 9