



US00D874680S

(12) **United States Design Patent**
van Hoytema

(10) **Patent No.:** **US D874,680 S**

(45) **Date of Patent:** **** Feb. 4, 2020**

(54) **HEXAGONAL RIGGING BLOCK**

(71) Applicant: **Furious People**, Beverly Hills, CA
(US)

(72) Inventor: **Hoyte van Hoytema**, Los Angeles, CA
(US)

(73) Assignee: **Furious People**, Beverly Hills, CA
(US)

(**) Term: **15 Years**

(21) Appl. No.: **29/675,062**

(22) Filed: **Dec. 28, 2018**

Related U.S. Application Data

(63) Continuation-in-part of application No. 15/842,462,
filed on Dec. 14, 2017, now Pat. No. 10,465,395, and
a continuation-in-part of application No. 29/589,668,
filed on Jan. 4, 2017, now Pat. No. Des. 850,655.

(51) **LOC (12) Cl.** **25-04**

(52) **U.S. Cl.**
USPC **D25/68**

(58) **Field of Classification Search**
USPC D25/62, 66, 68; 446/124, 85; 52/81.3,
52/82; 182/178.1; D8/356
CPC E04C 1/00; A63H 33/04; A63H 33/086;
E02D 17/205; E04G 1/12; E04G 7/26;
E04G 1/18; E04G 5/16
See application file for complete search history.

(56) **References Cited**

U.S. PATENT DOCUMENTS

3,877,170 A * 4/1975 Bakker A63H 33/088
446/124
7,510,457 B2 * 3/2009 Hussa-Lietz A63H 33/04
446/85

D691,873 S * 10/2013 Ganski D8/356
8,782,965 B2 * 7/2014 Hava E04B 1/32
52/81.3
9,683,380 B2 * 6/2017 Brinkmann E04G 1/12
D850,655 S * 6/2019 van Hoytema D25/68
10,465,395 B1 * 11/2019 van Hoytema E04G 1/12

* cited by examiner

Primary Examiner — Gino Colan

(74) *Attorney, Agent, or Firm* — Amster, Rothstein &
Ebenstein LLP

(57) **CLAIM**

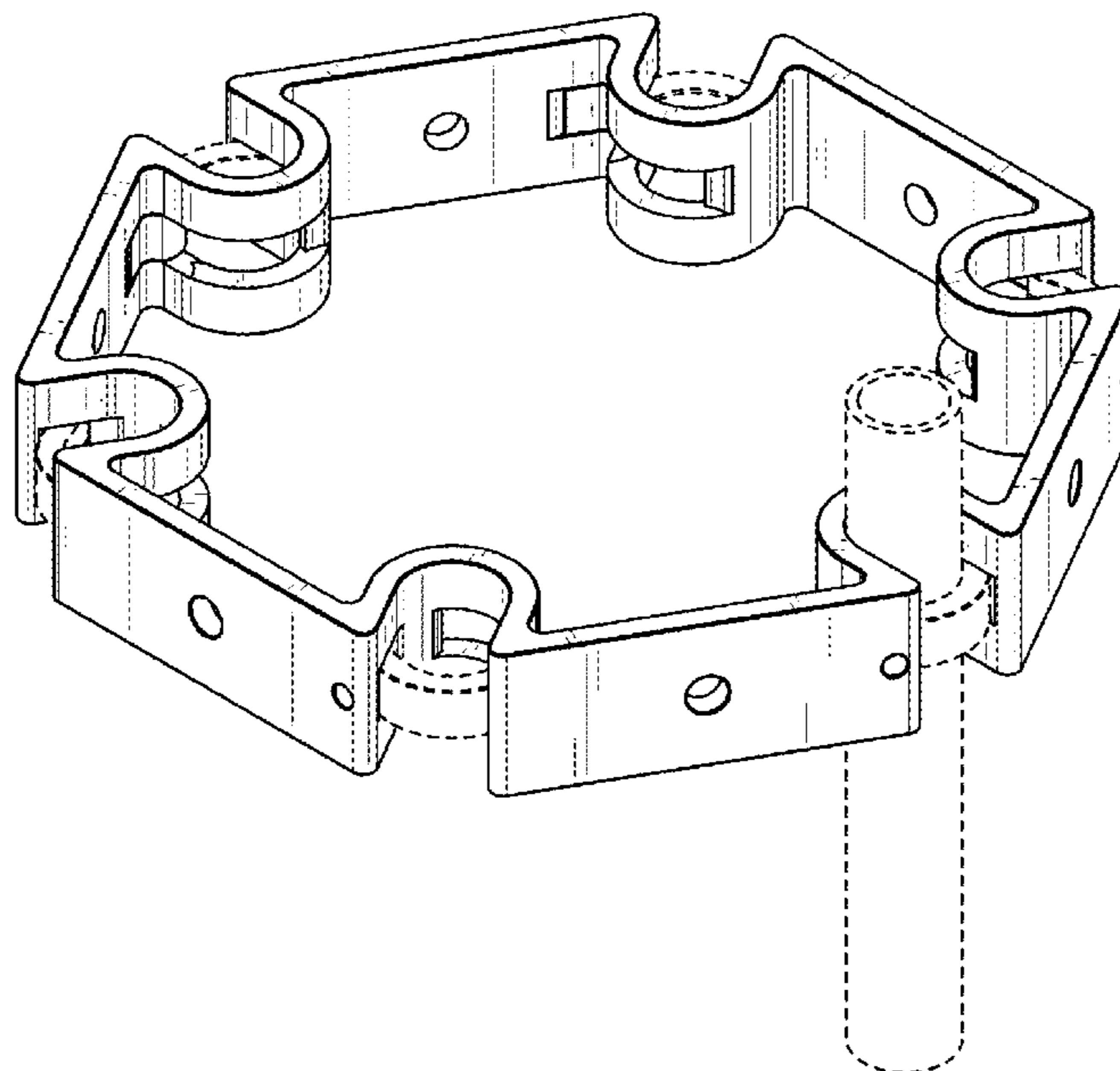
The ornamental design for a hexagonal rigging block, as
shown and described.

DESCRIPTION

FIG. 1 is a perspective view of a hexagonal rigging block
showing my new design;
FIG. 2 is a front view of the hexagonal rigging block of FIG.
1;
FIG. 3 is a rear view of the hexagonal rigging block of FIG.
1;
FIG. 4 is a right side view of the hexagonal rigging block of
FIG. 1;
FIG. 5 is a left side view of the hexagonal rigging block of
FIG. 1;
FIG. 6 is a top plan view of the hexagonal rigging block of
FIG. 1; and,
FIG. 7 is a bottom plan view of the hexagonal rigging block
of FIG. 1.

The broken lines showing additional rigging pieces are for
the purpose of illustrating environmental structure and form
no part of the claimed design.

1 Claim, 7 Drawing Sheets



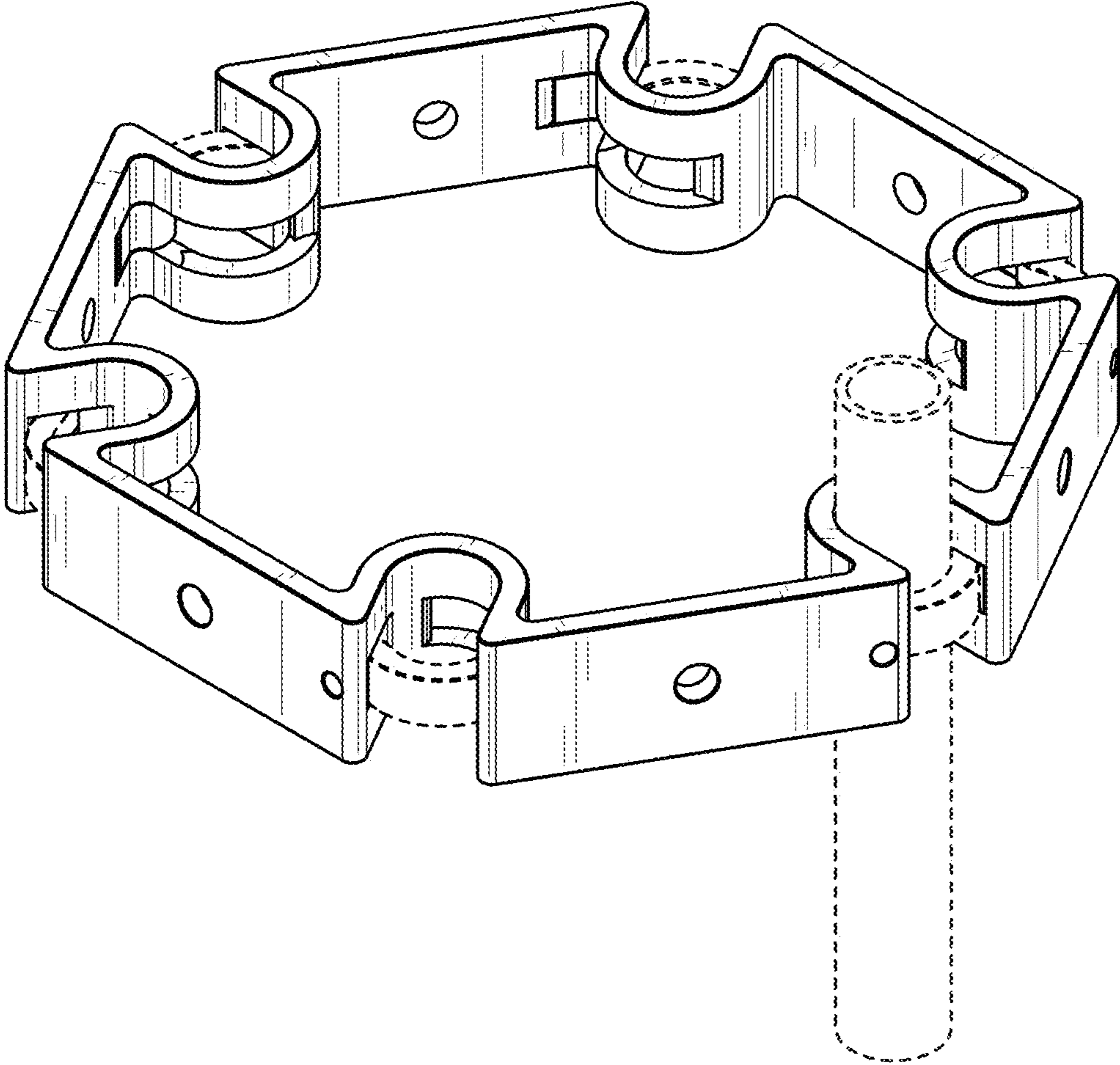


FIG. 1

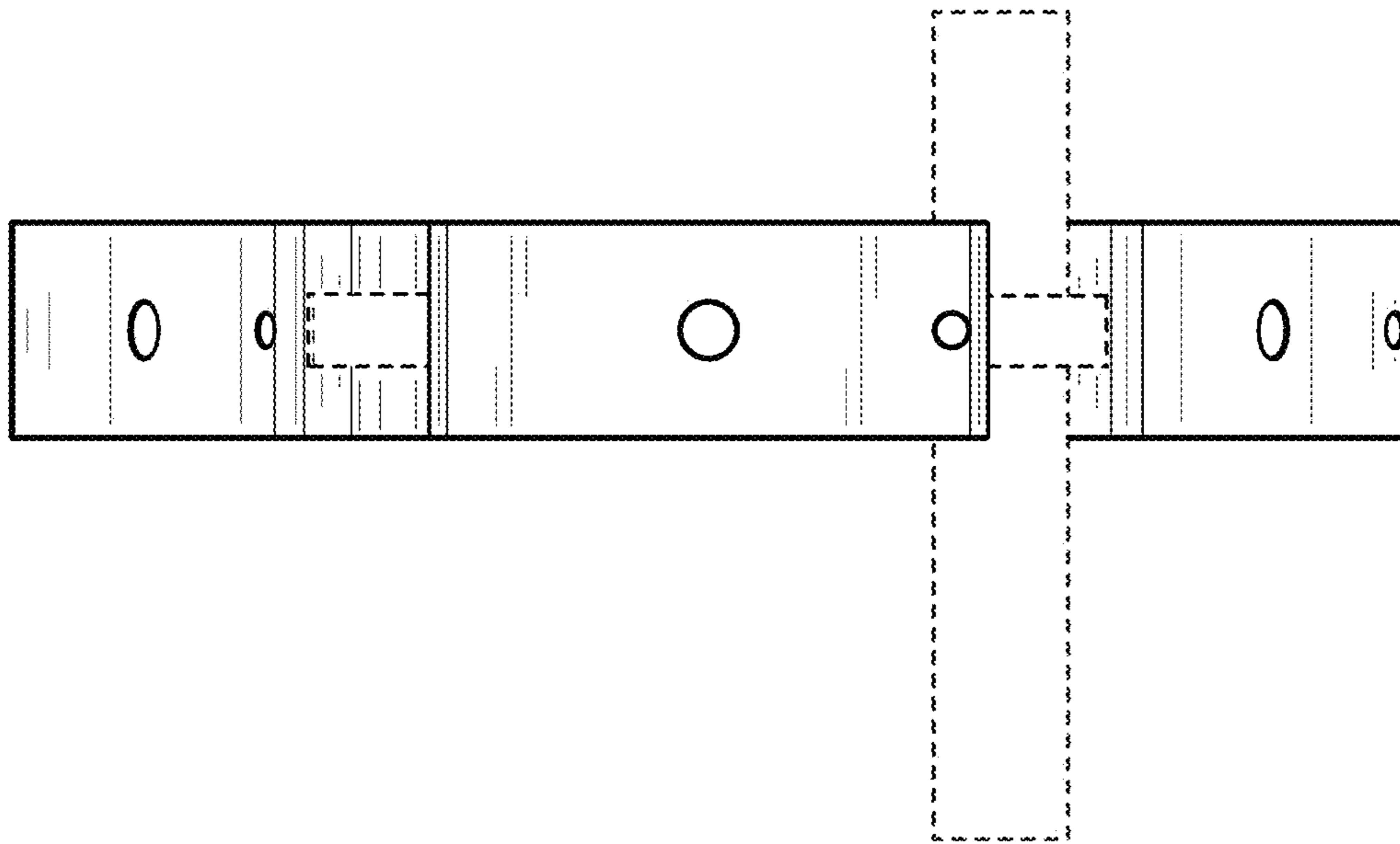


FIG. 2

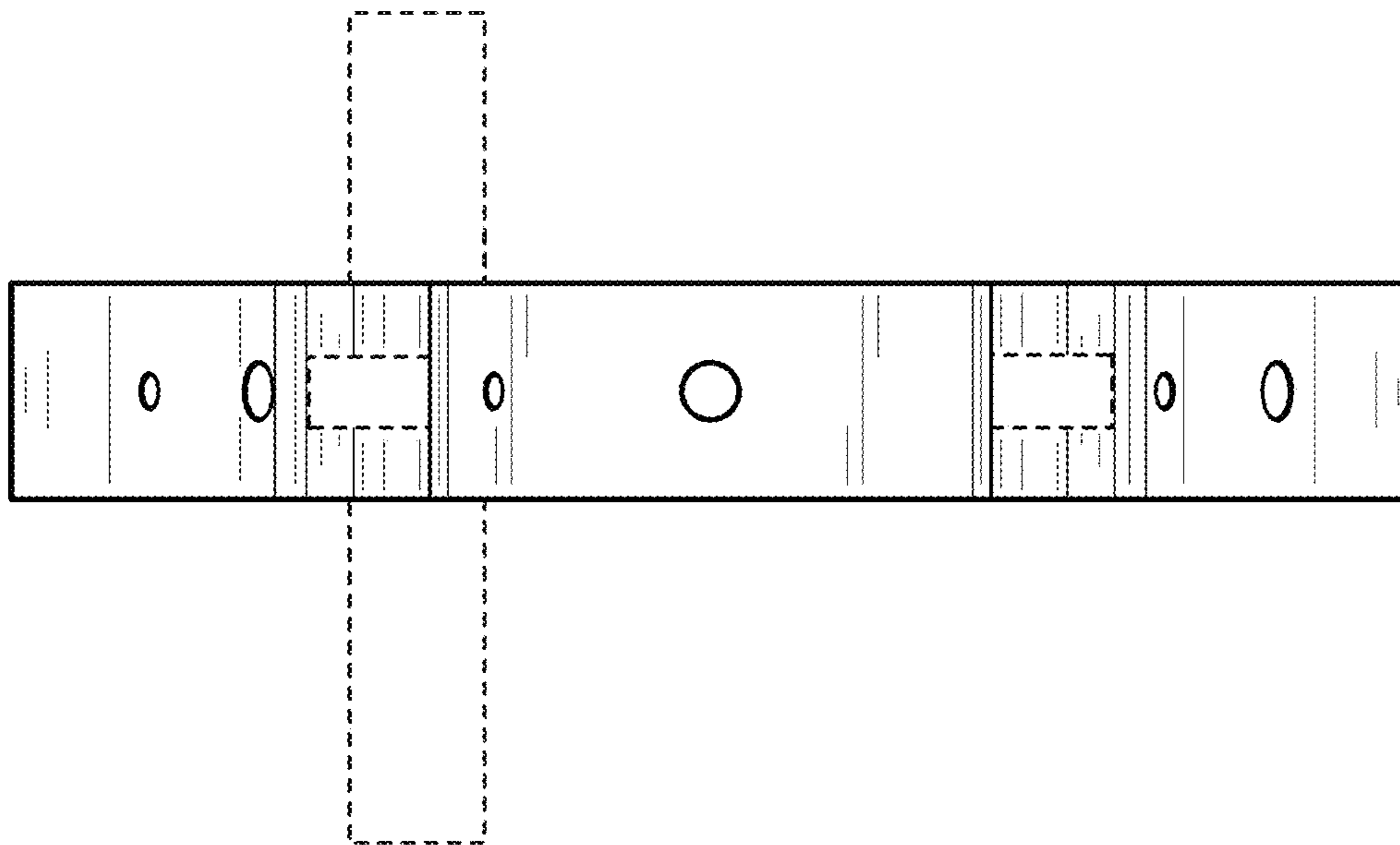


FIG. 3

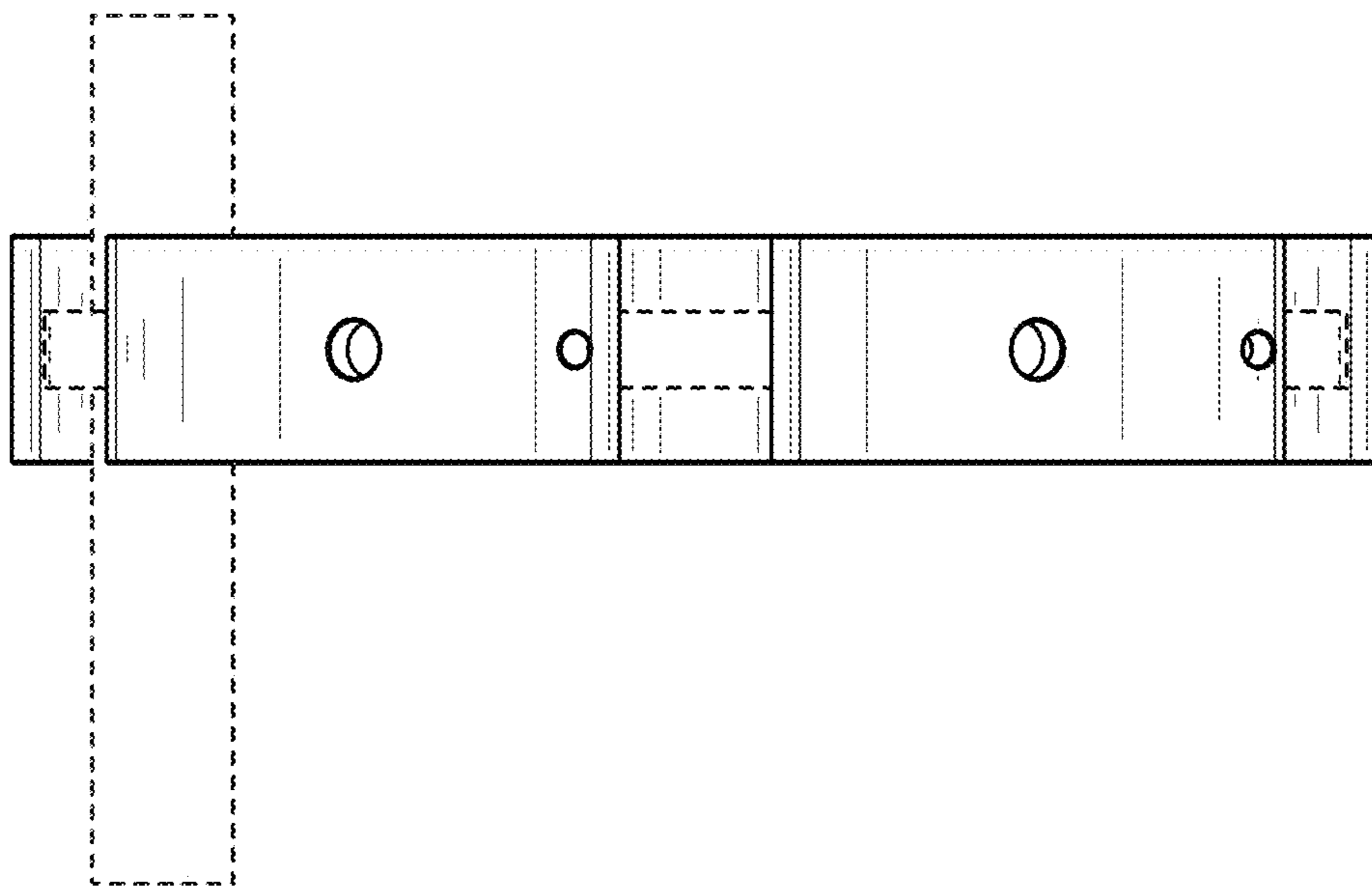


FIG. 4

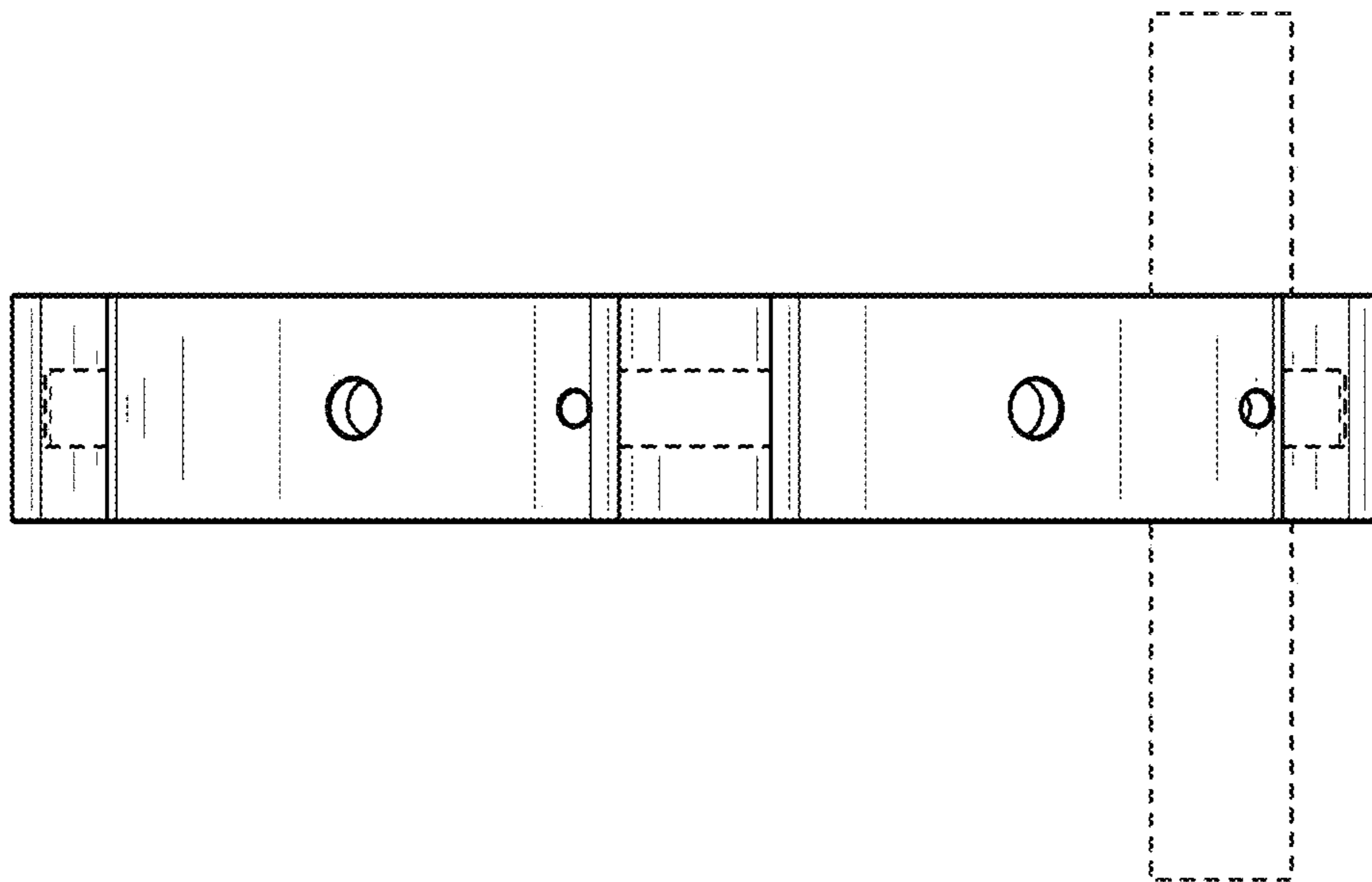


FIG. 5

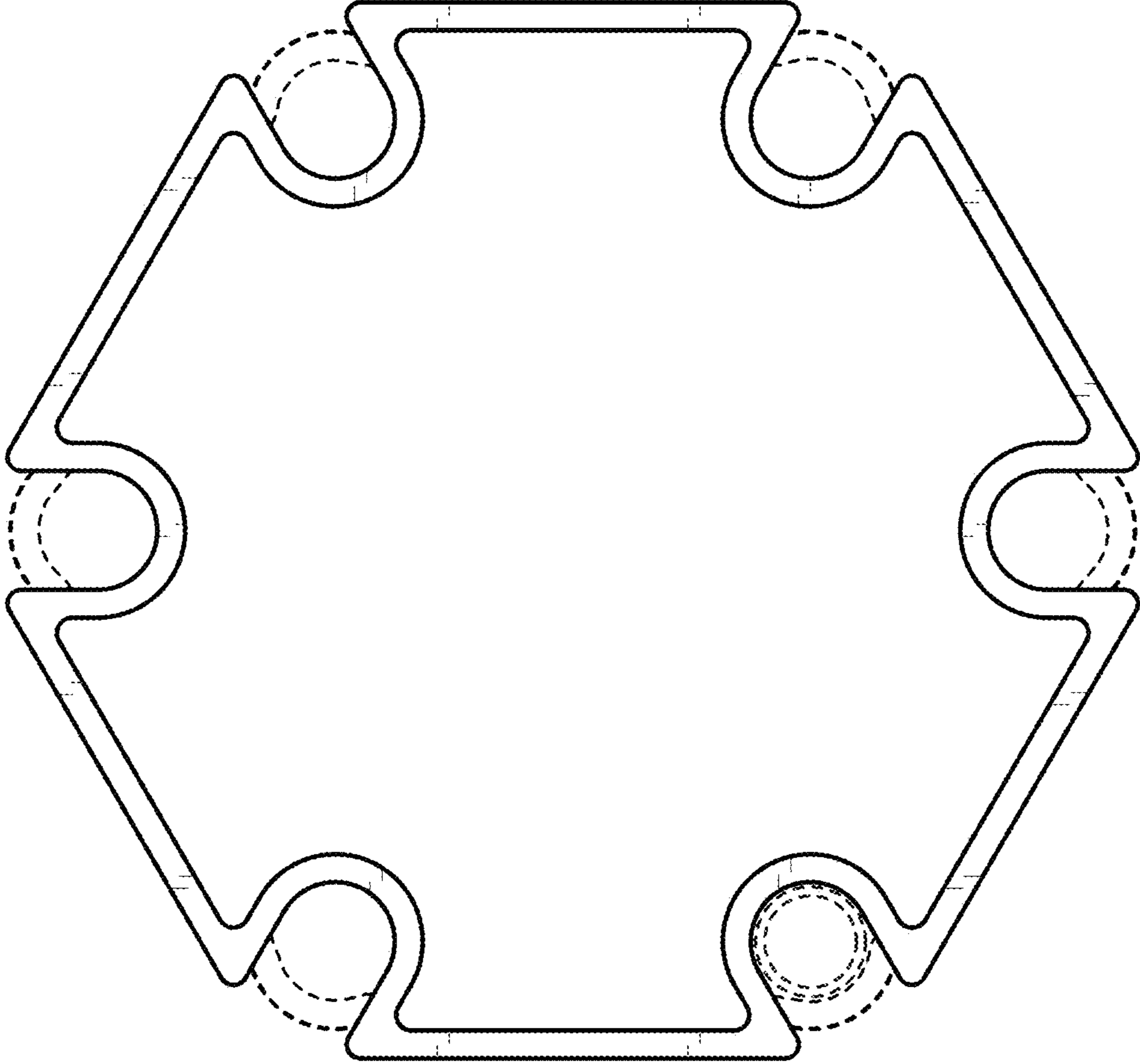


FIG. 6

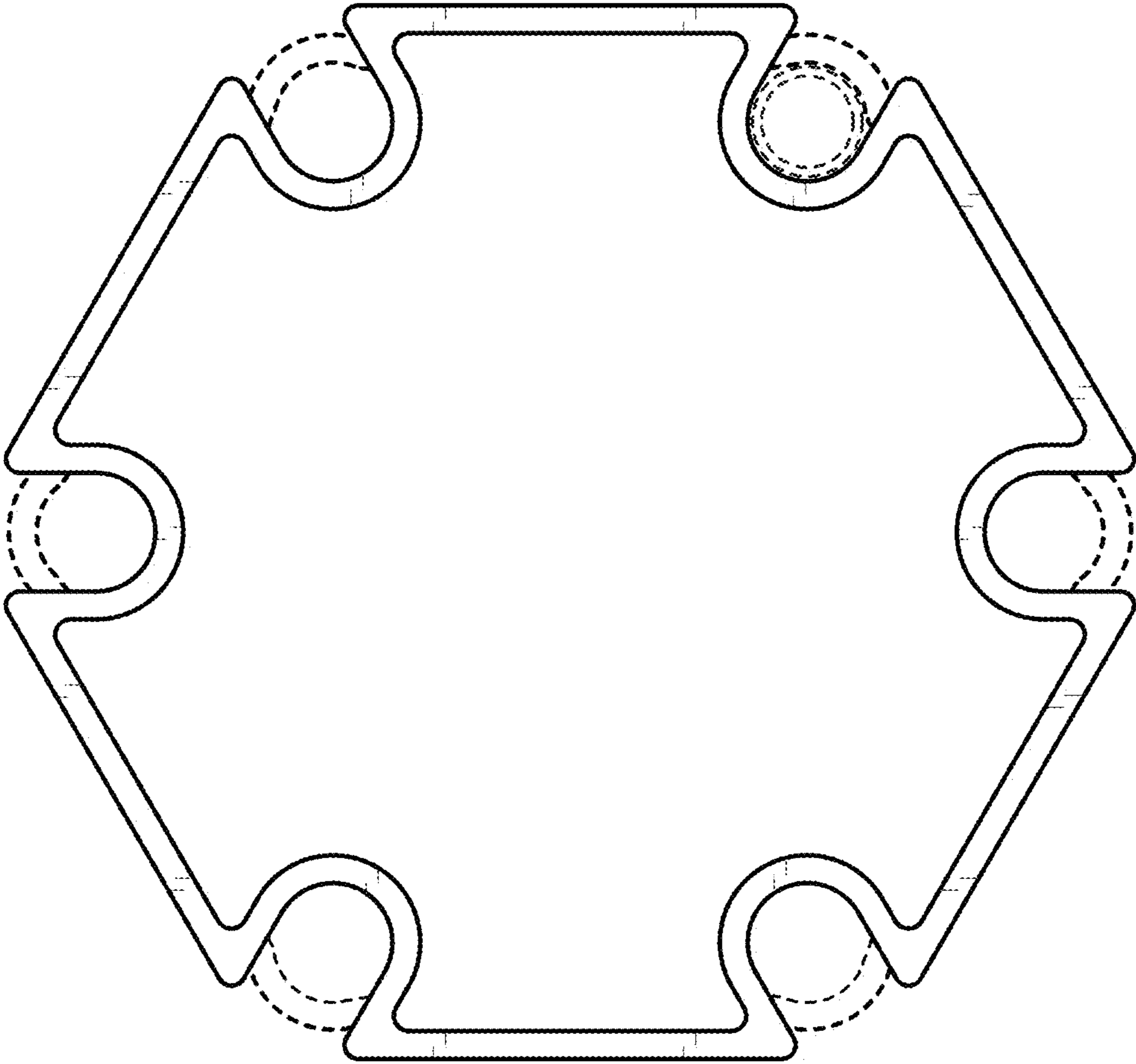


FIG. 7