



US00D874677S

(12) **United States Design Patent** (10) **Patent No.:** **US D874,677 S**  
**Stamm et al.** (45) **Date of Patent:** **\*\* Feb. 4, 2020**

(54) **TESTING APPARATUS SET**

D493,232 S \* 7/2004 Wohlstadter ..... D24/216  
D706,945 S 6/2014 Chan et al.  
D720,466 S \* 12/2014 Edding ..... D24/216

(71) Applicant: **bioMerieux, Inc.**, Durham, NC (US)

(Continued)

(72) Inventors: **Perry D. Stamm**, Dardenne Prairie, MO (US); **Gregory R. Maes**, Fenton, MO (US); **Jack R. Hoffmann, Jr.**, St. Louis, MO (US); **Walter J. Clynes**, O'Fallon, MO (US); **Leonard H. Schleicher, Jr.**, St. Charles, MO (US); **Christopher George Kocher**, St. Louis, MO (US); **Brian David Peterson**, Wentzville, MO (US); **Marc William Hunter**, Highland, IL (US); **Benjamin Cooper Priess**, Saint Charles, MO (US); **Tim Payne**, Santa Ana, CA (US); **Scott Conway**, Yorba Linda, CA (US)

*Primary Examiner* — Anhdao Doan

(74) *Attorney, Agent, or Firm* — Alston & Bird LLP

(73) Assignee: **BIOMERIEUX, INC.**, Durham, NC (US)

(57) **CLAIM**

The ornamental design for a testing apparatus set, as shown and described.

(\*\*) Term: **15 Years**

**DESCRIPTION**

(21) Appl. No.: **29/601,267**

FIG. 1 is a perspective view of a testing apparatus set, including a display base and a handheld unit according to our new design;  
FIG. 2 is a perspective view of a handheld unit of the testing apparatus set;  
FIG. 3 is another perspective view thereof;  
FIG. 4 is a rear perspective view thereof;  
FIG. 5 is a top plan view thereof;  
FIG. 6 is a bottom plan view thereof;  
FIG. 7 is a rear elevation view thereof;  
FIG. 8 is a left side elevation view thereof;  
FIG. 9 is a right side elevation view thereof;  
FIG. 10 is a perspective view of a display base of the testing apparatus set;  
FIG. 11 is a rear perspective view thereof;  
FIG. 12 is a top plan view thereof;  
FIG. 13 is a bottom plan view thereof;  
FIG. 14 is a front elevation view thereof;  
FIG. 15 is a rear elevation view thereof;  
FIG. 16 is a right side elevation view thereof; and,  
FIG. 17 is a left side elevation view thereof.  
The broken lines showing the sample tubes in FIGS. 1 and 2 represent environmental subject matter, and all other broken lines represent portions of the testing apparatus set that form no part of the claimed design. The dash-dot-dash broken lines illustrate a boundary of the claimed design.

(22) Filed: **Apr. 20, 2017**

(51) **LOC (12) Cl.** ..... **24-01**

(52) **U.S. Cl.**  
USPC ..... **D24/216**

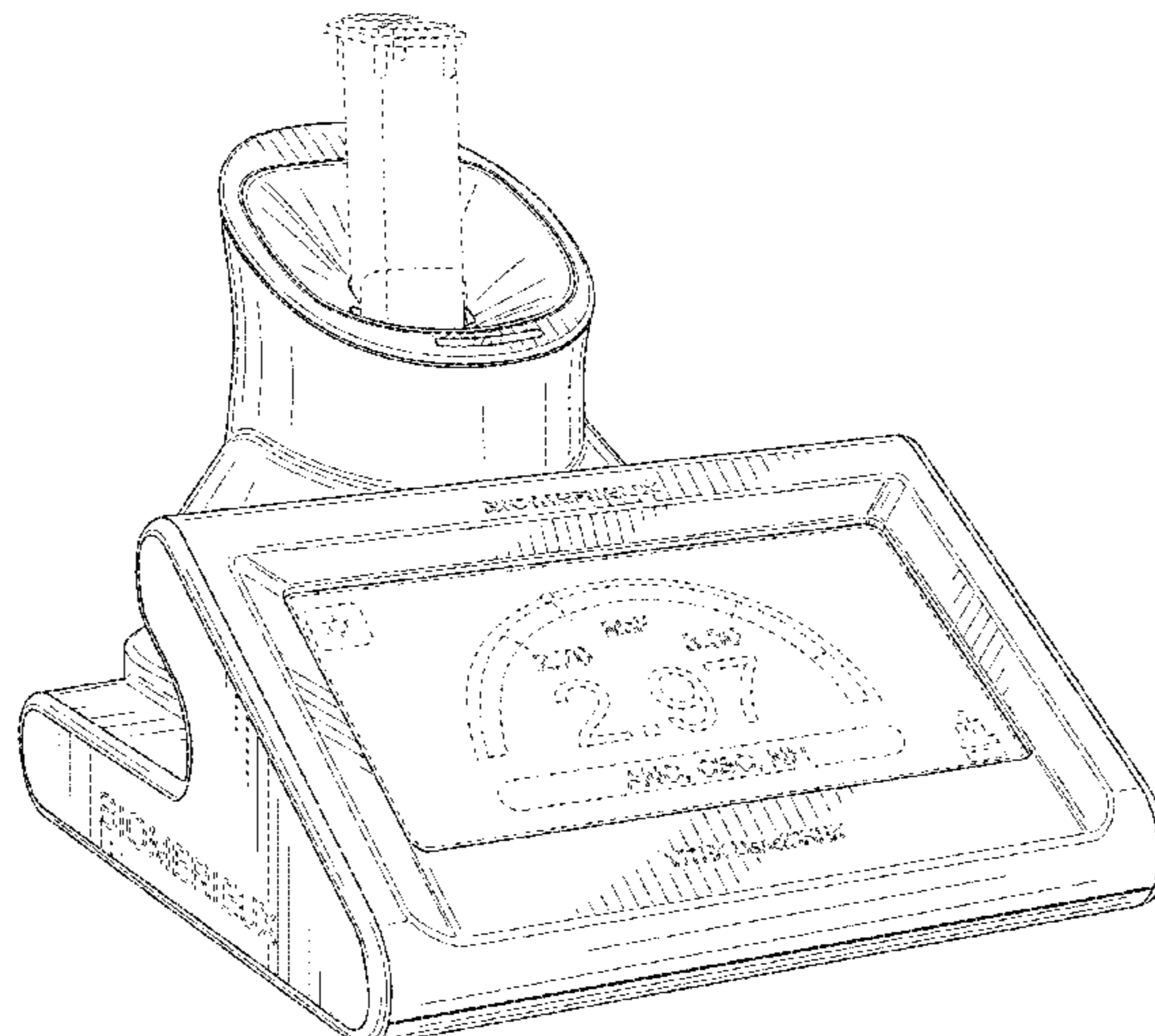
(58) **Field of Classification Search**  
USPC ..... D24/107, 169, 185, 186, 216–219, D24/231–234; D10/81  
CPC ..... G01N 21/0483; G01N 21/0303; G01N 35/00029; G01N 35/00019; G01N 2035/00326; G01N 21/6428; G01N 21/6486; G01N 2201/061  
See application file for complete search history.

(56) **References Cited**

**U.S. PATENT DOCUMENTS**

D431,867 S \* 10/2000 Maynard ..... D24/216  
D474,278 S \* 5/2003 Niedbala ..... D24/216

**1 Claim, 17 Drawing Sheets**



(56)

**References Cited**

U.S. PATENT DOCUMENTS

D739,031 S *	9/2015	Golden .....	D24/186
D748,814 S	2/2016	Han et al.	
D789,550 S	6/2017	Ludlow et al.	
D800,912 S *	10/2017	Uzri .....	D24/216
D805,650 S	12/2017	Hsiung et al.	
D812,246 S	3/2018	Hommel et al.	
D814,045 S	3/2018	Kamees et al.	
D819,829 S	6/2018	Osmus et al.	
2006/0066858 A1 *	3/2006	Jaunakais .....	G01N 21/0303 356/436
2006/0088895 A1 *	4/2006	Wanders .....	G01N 21/6428 435/7.32

\* cited by examiner

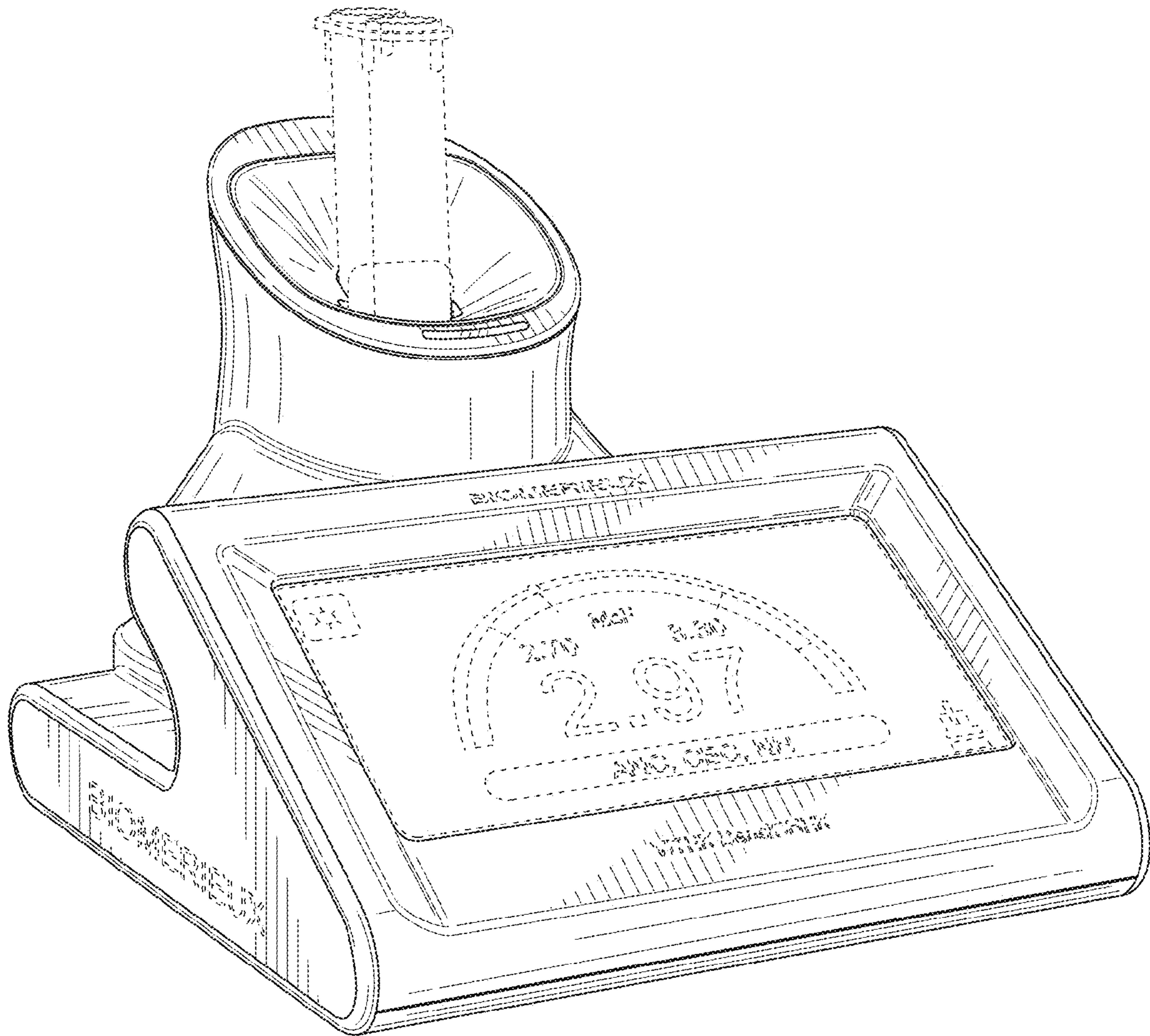


FIG. 1

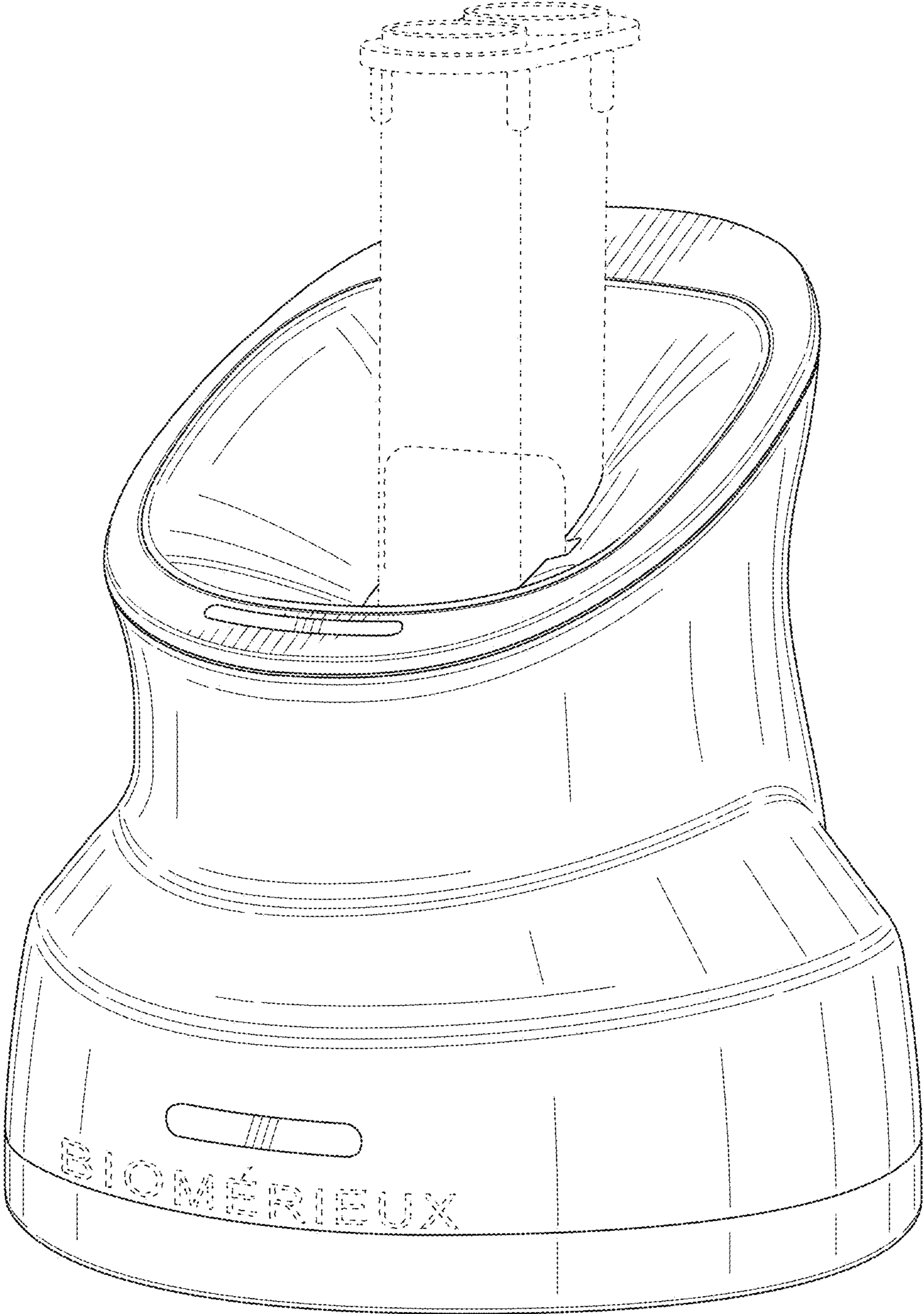


FIG. 2

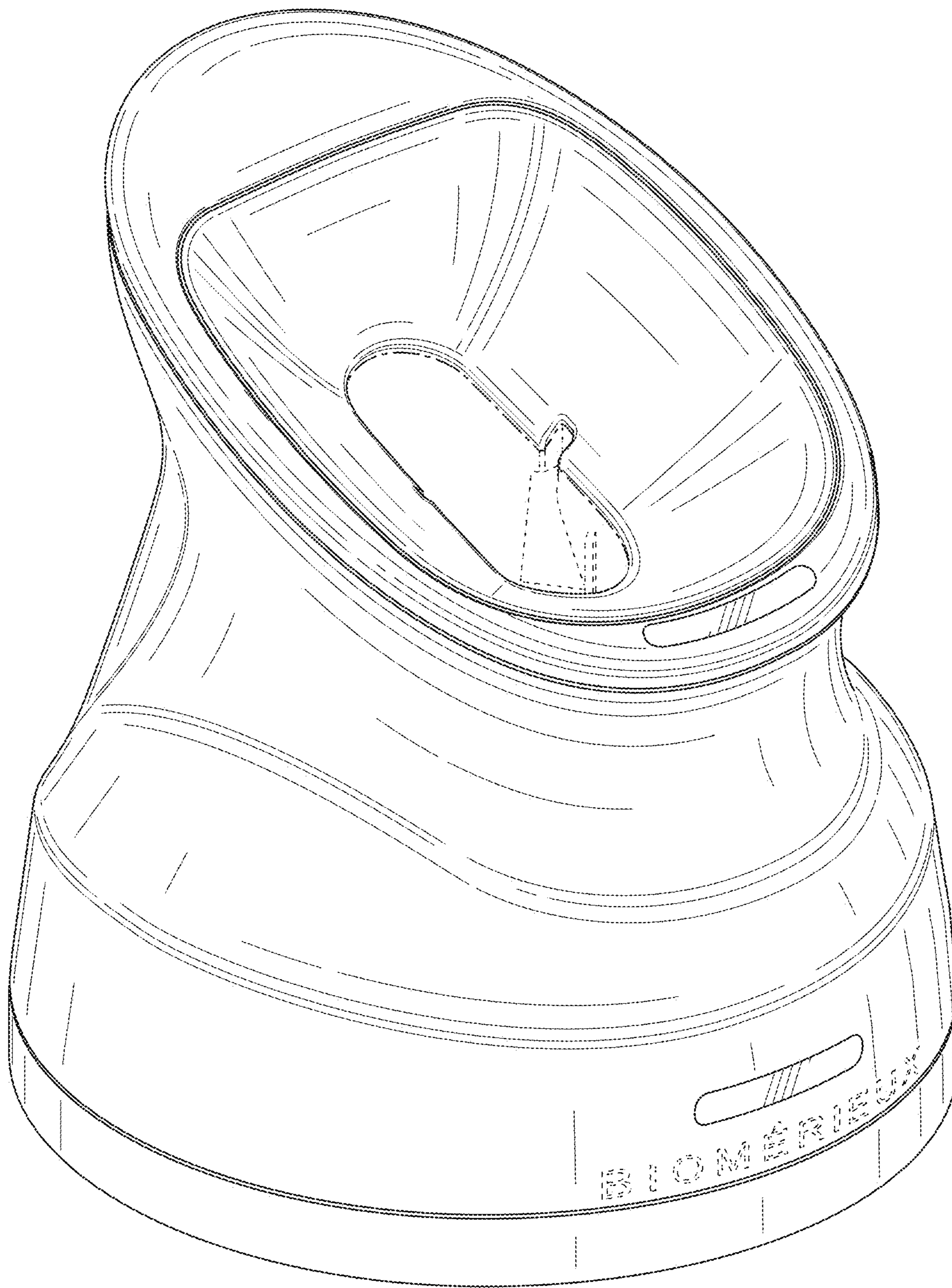


FIG. 3

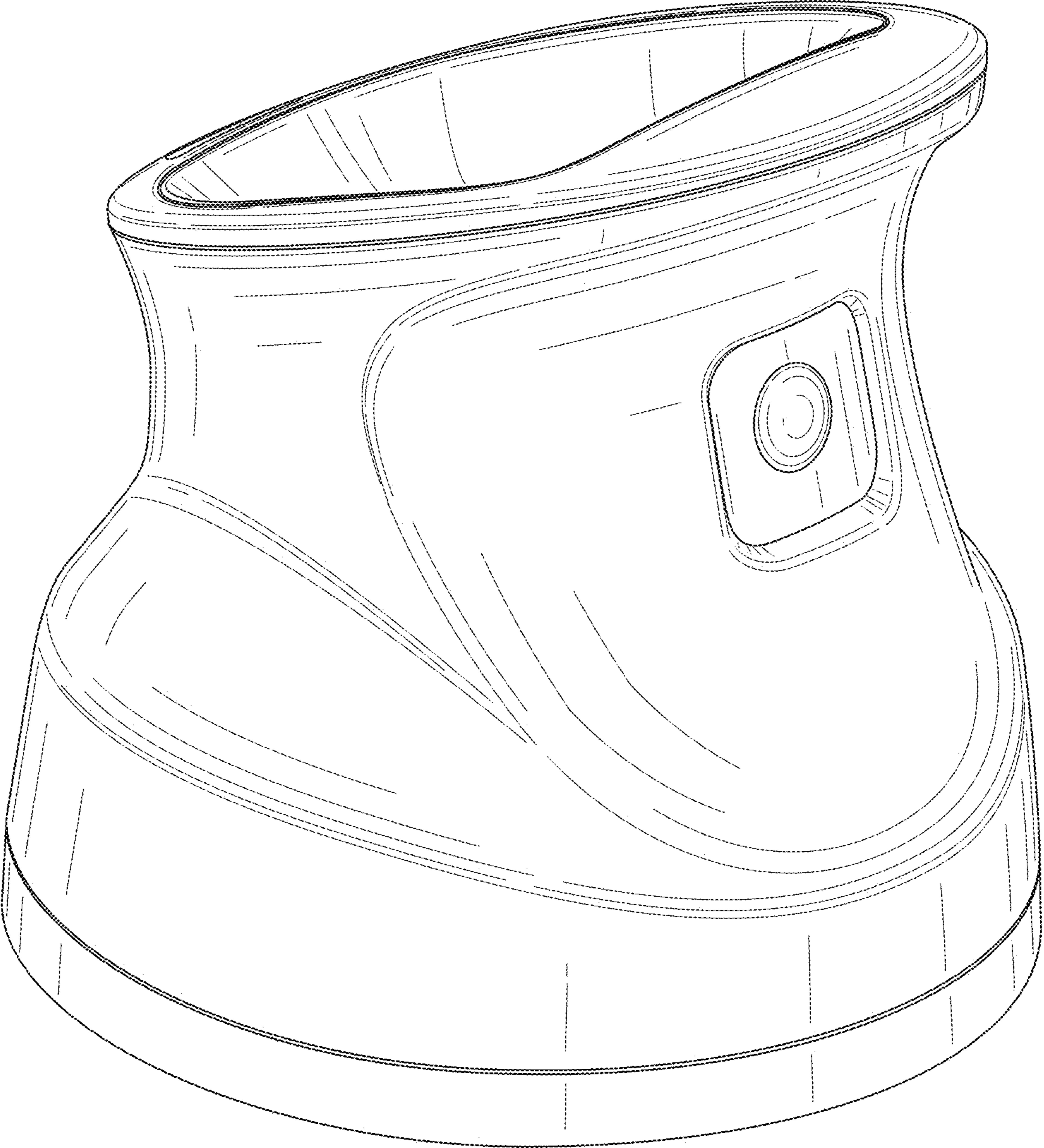


FIG. 4

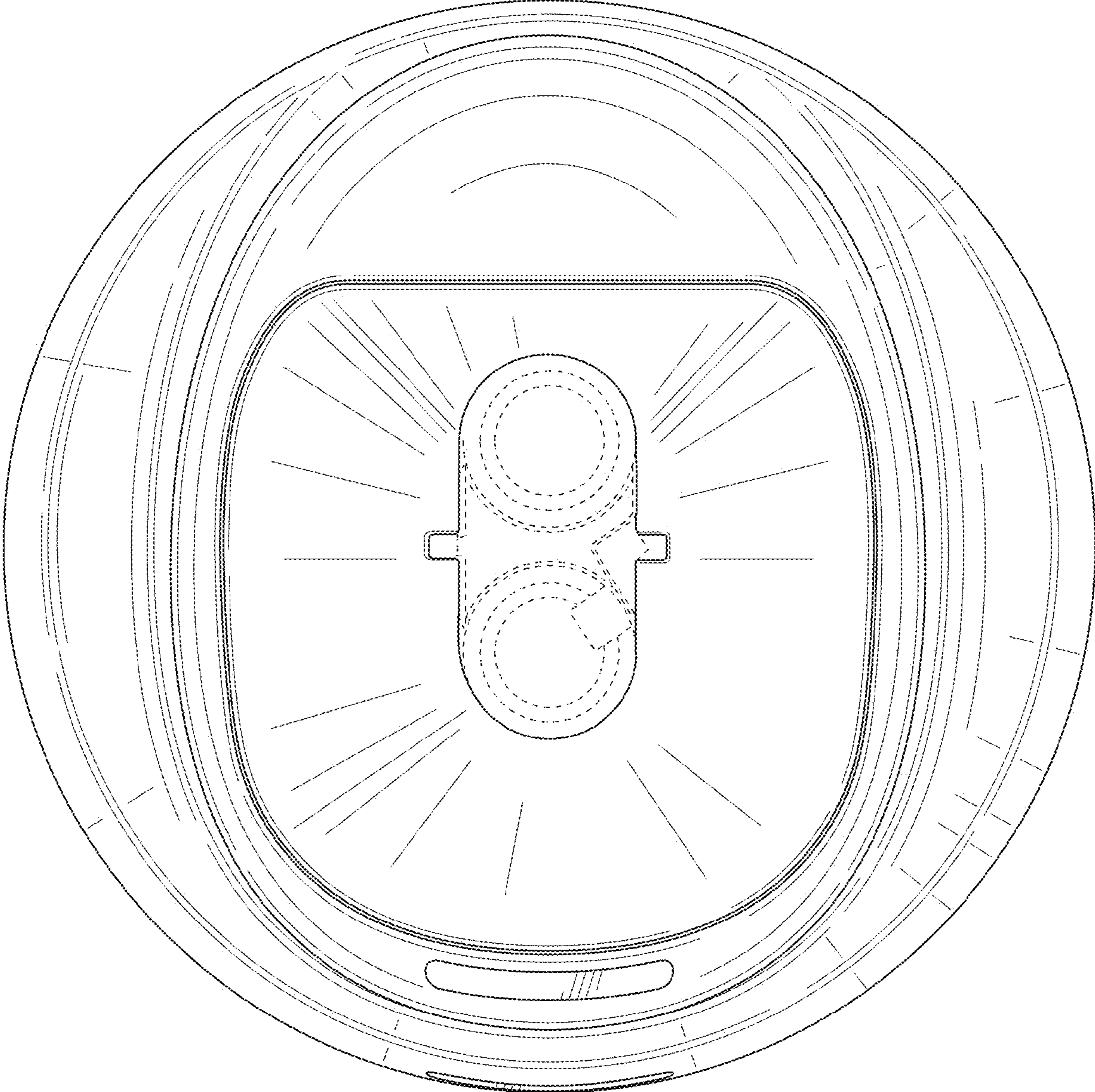


FIG. 5

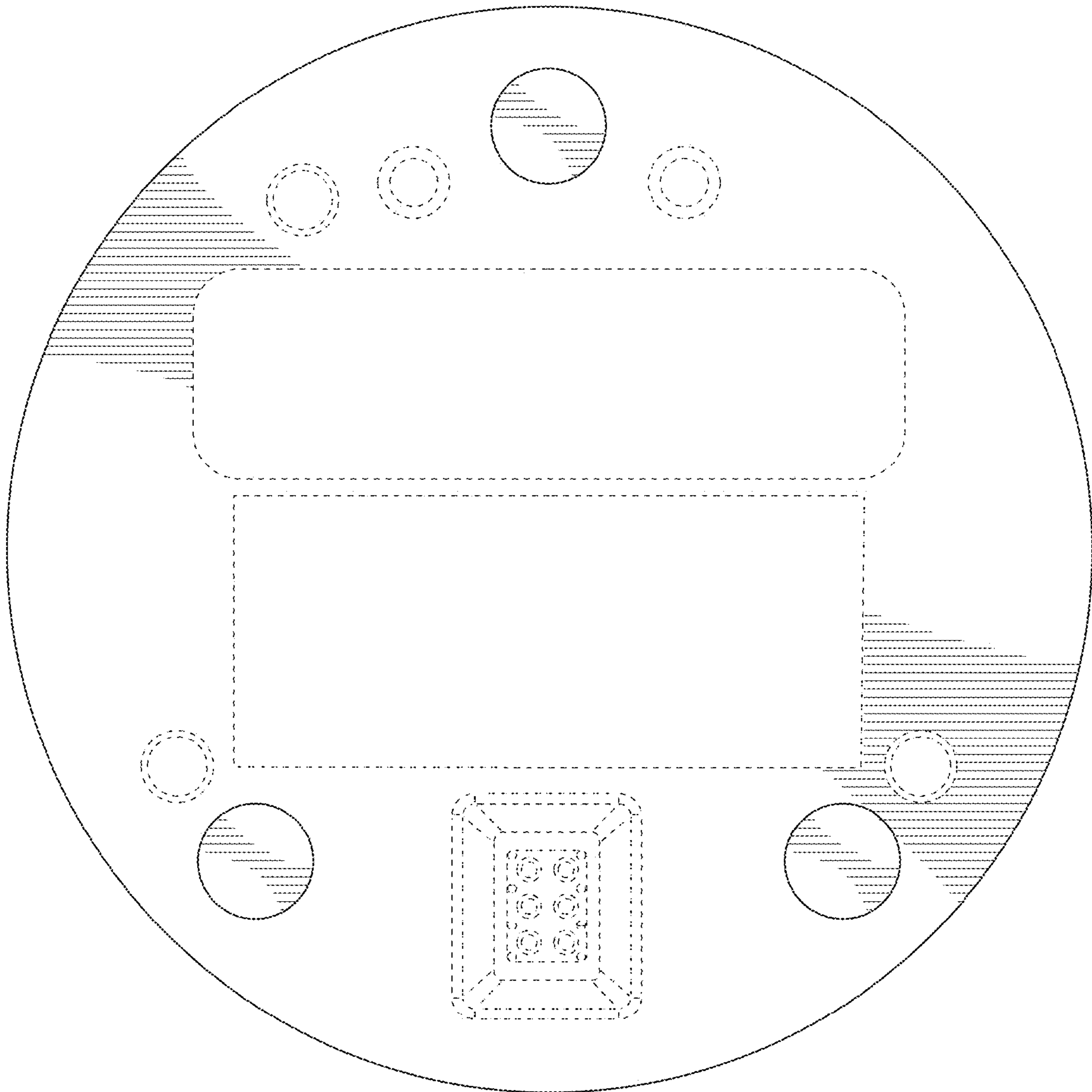


FIG. 6



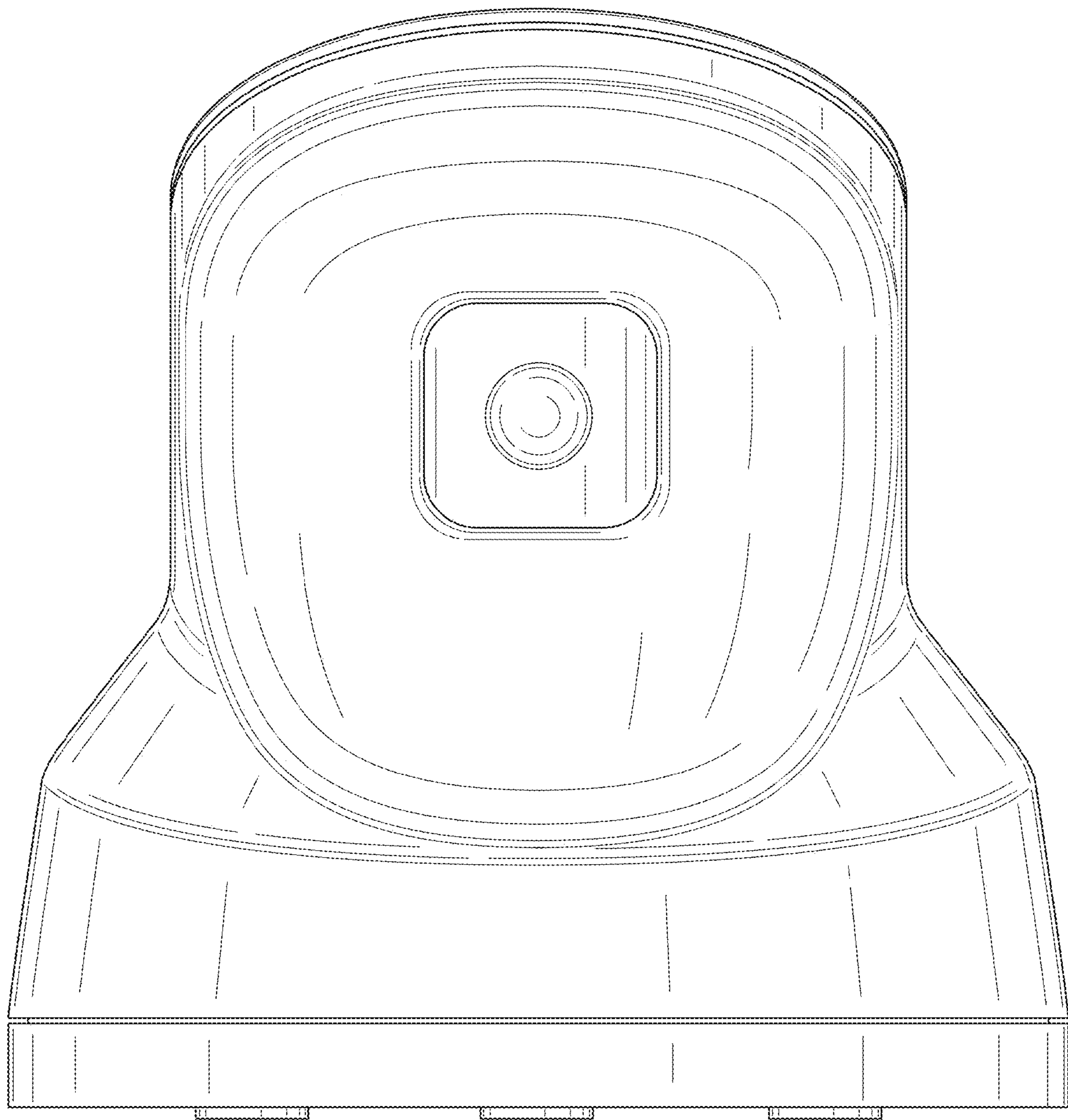


FIG. 7

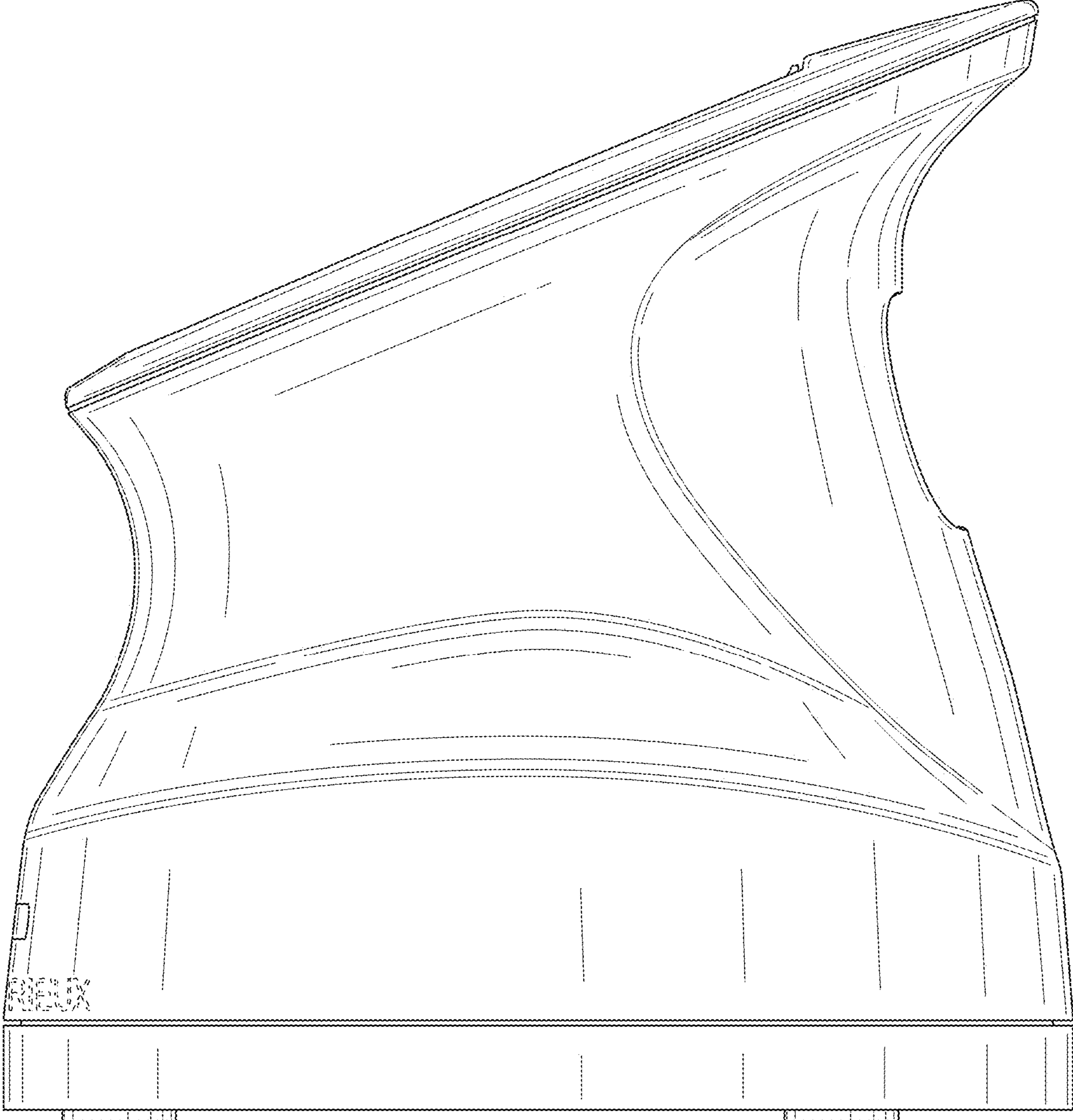


FIG. 8

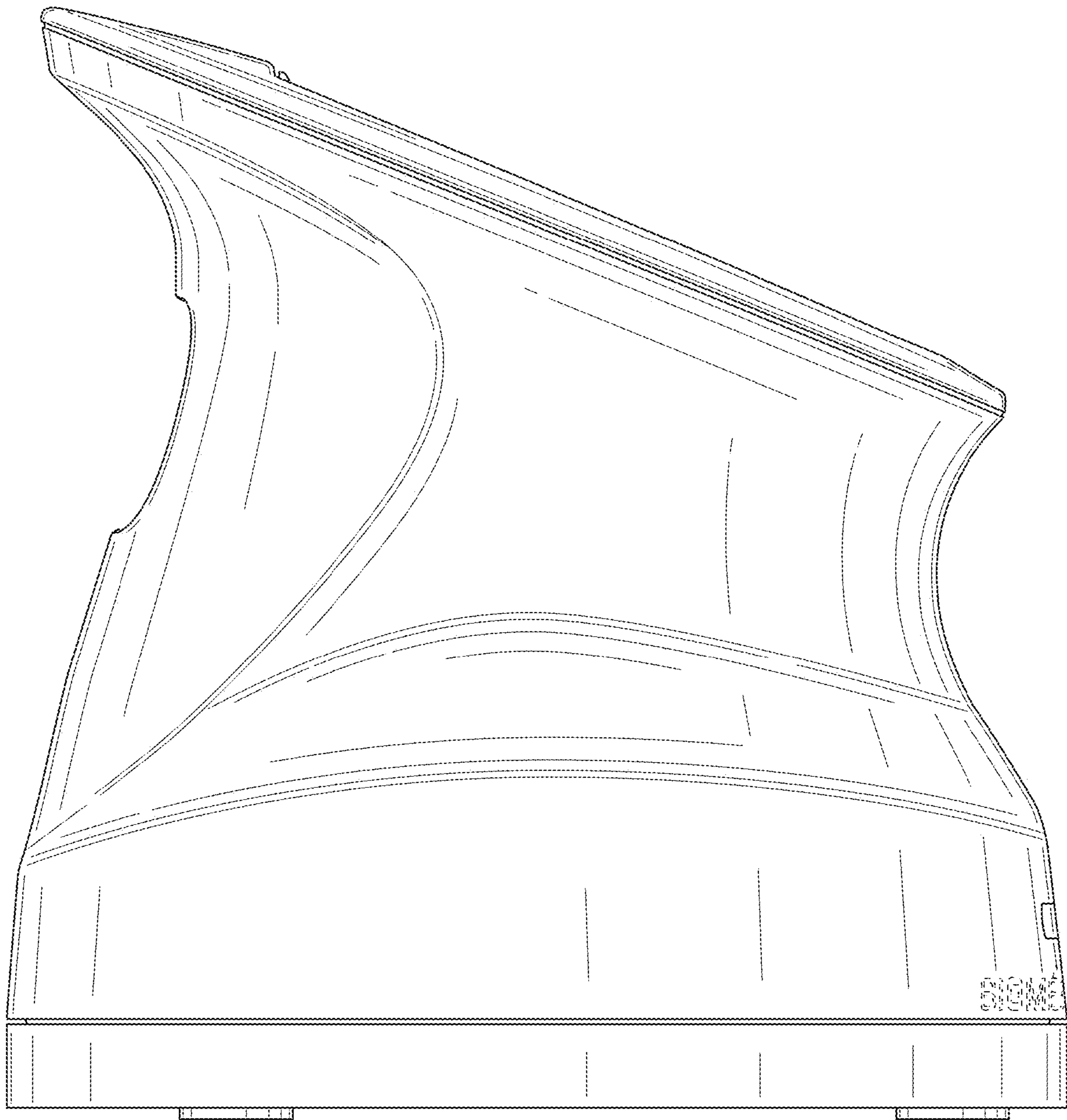


FIG. 9

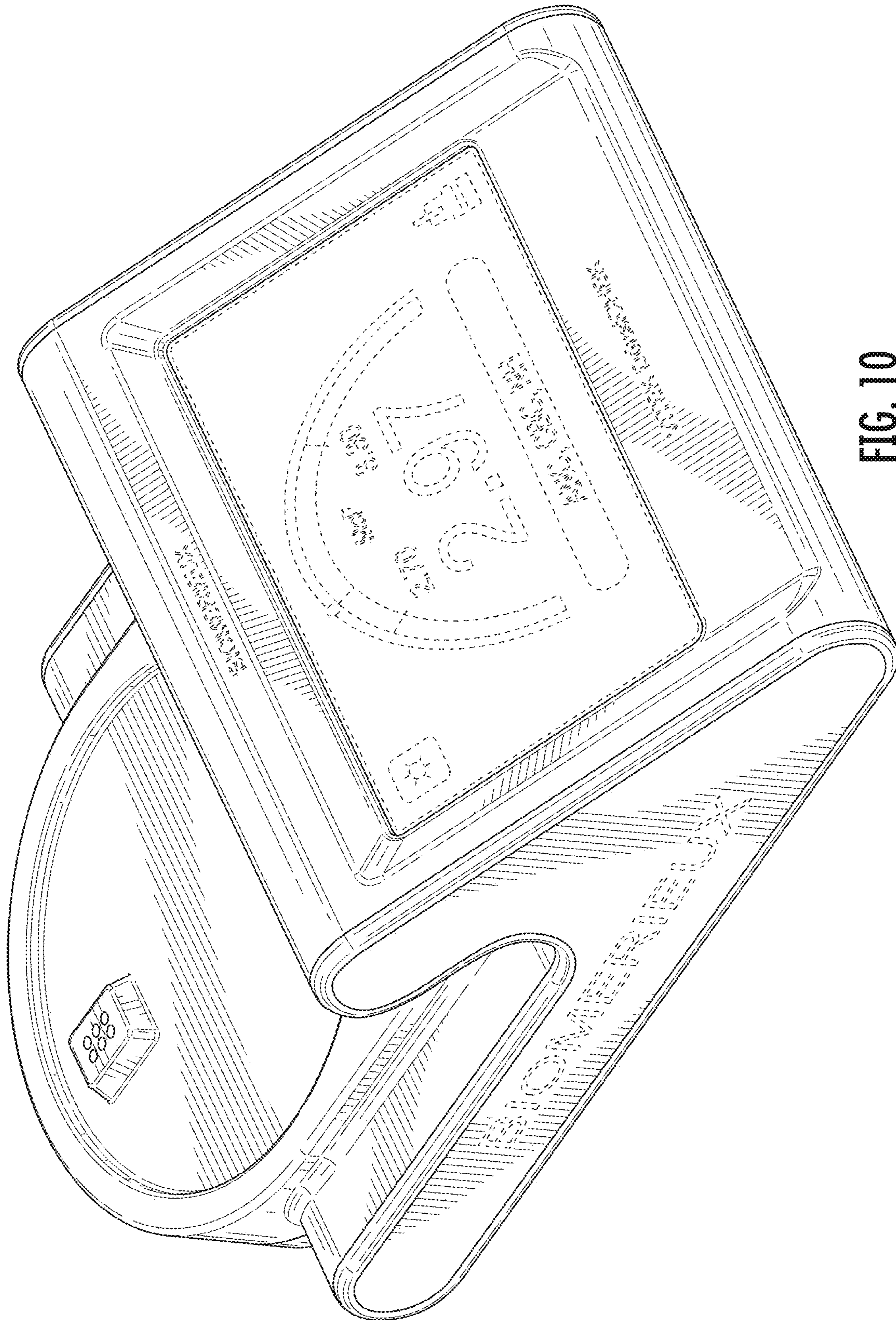


FIG. 10

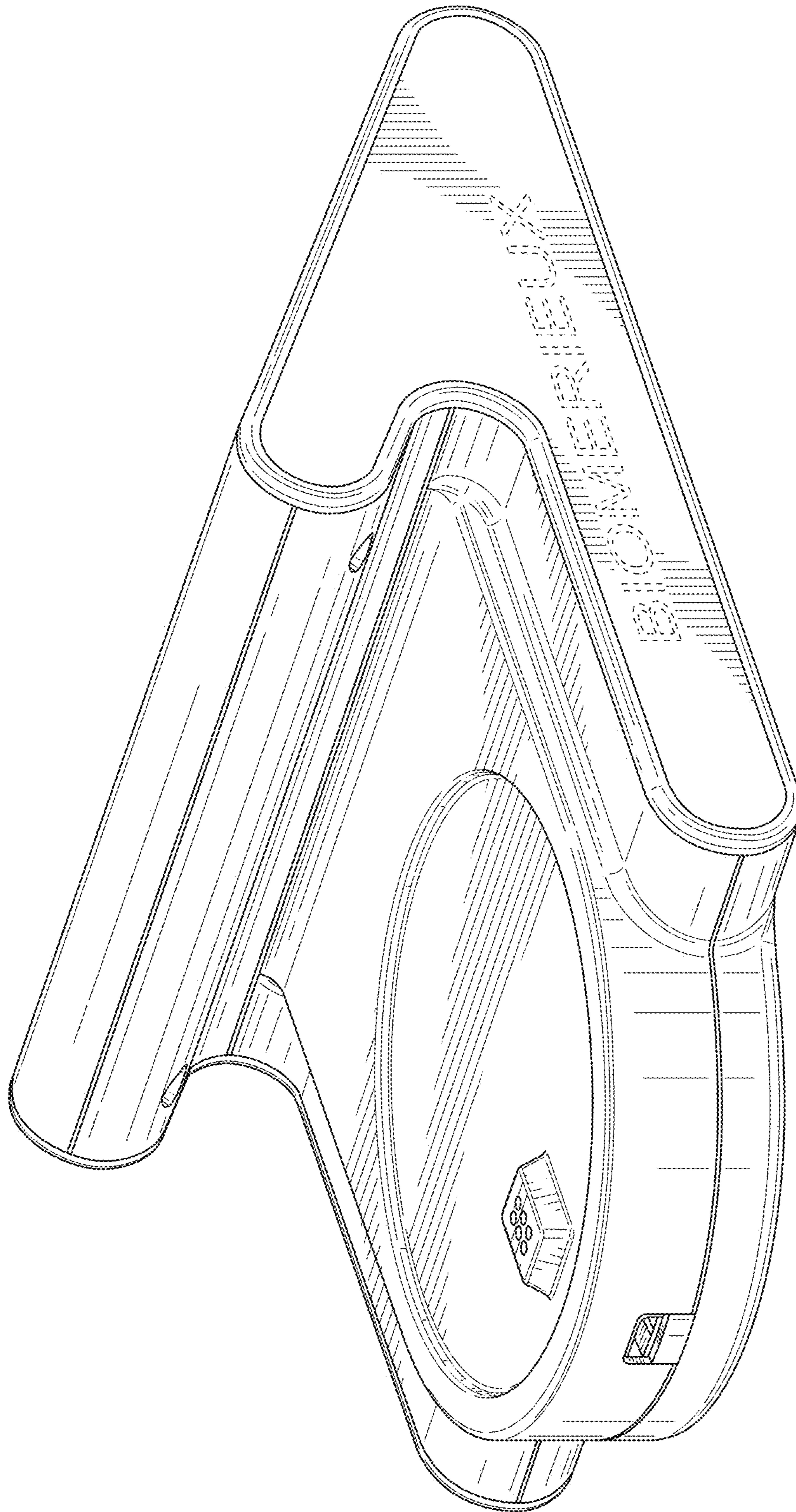


FIG. 11

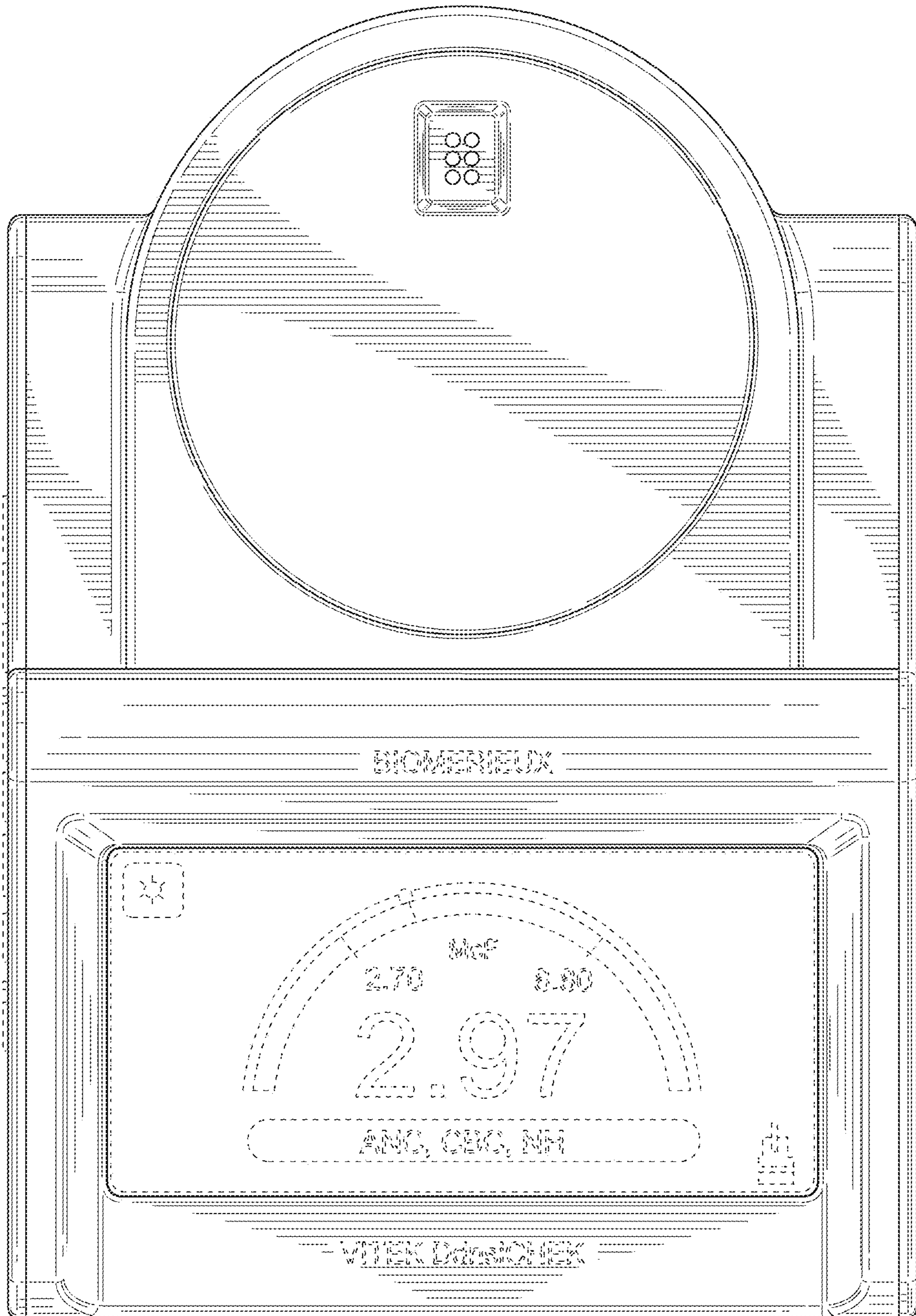


FIG. 12

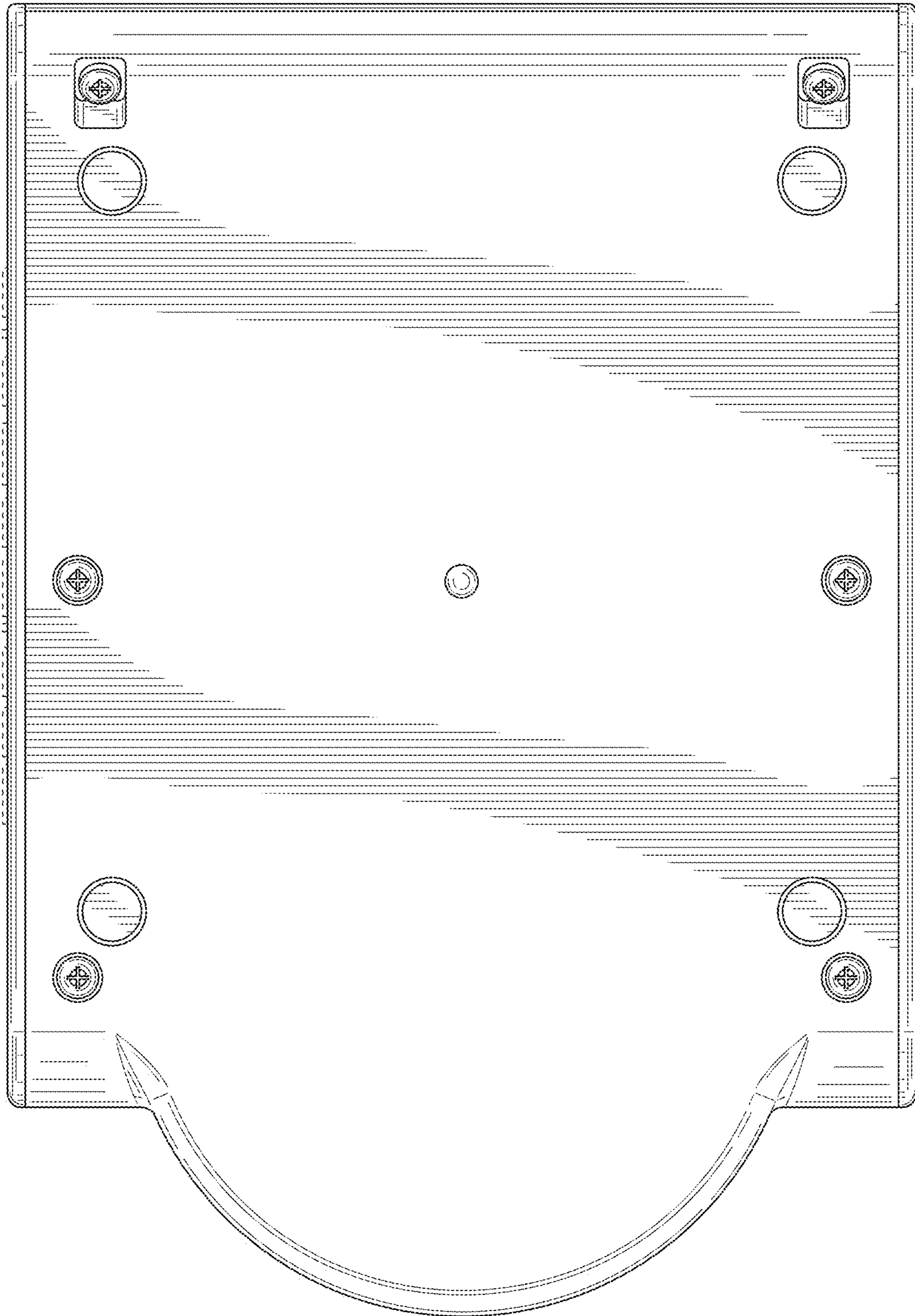


FIG. 13

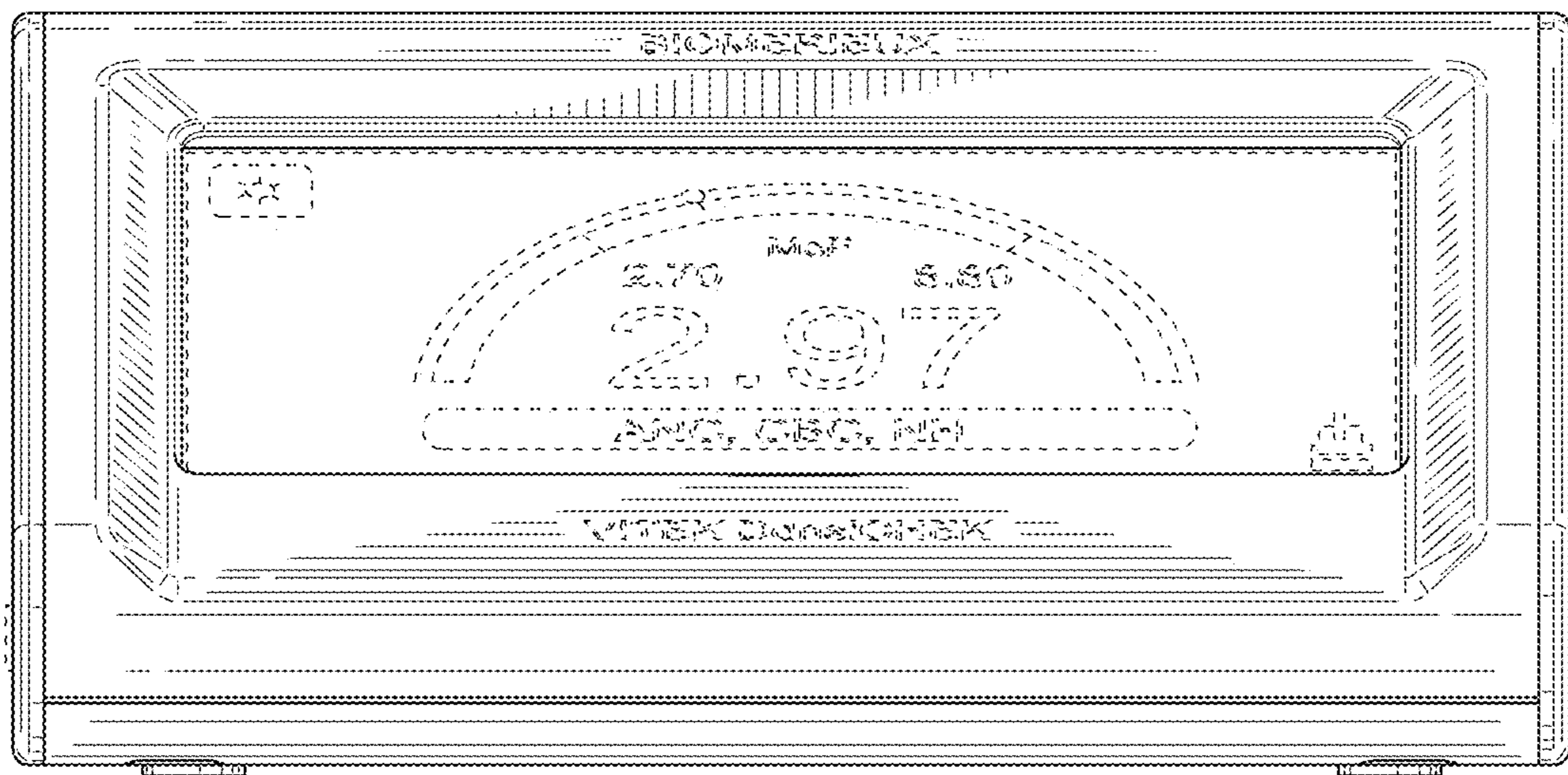


FIG. 14



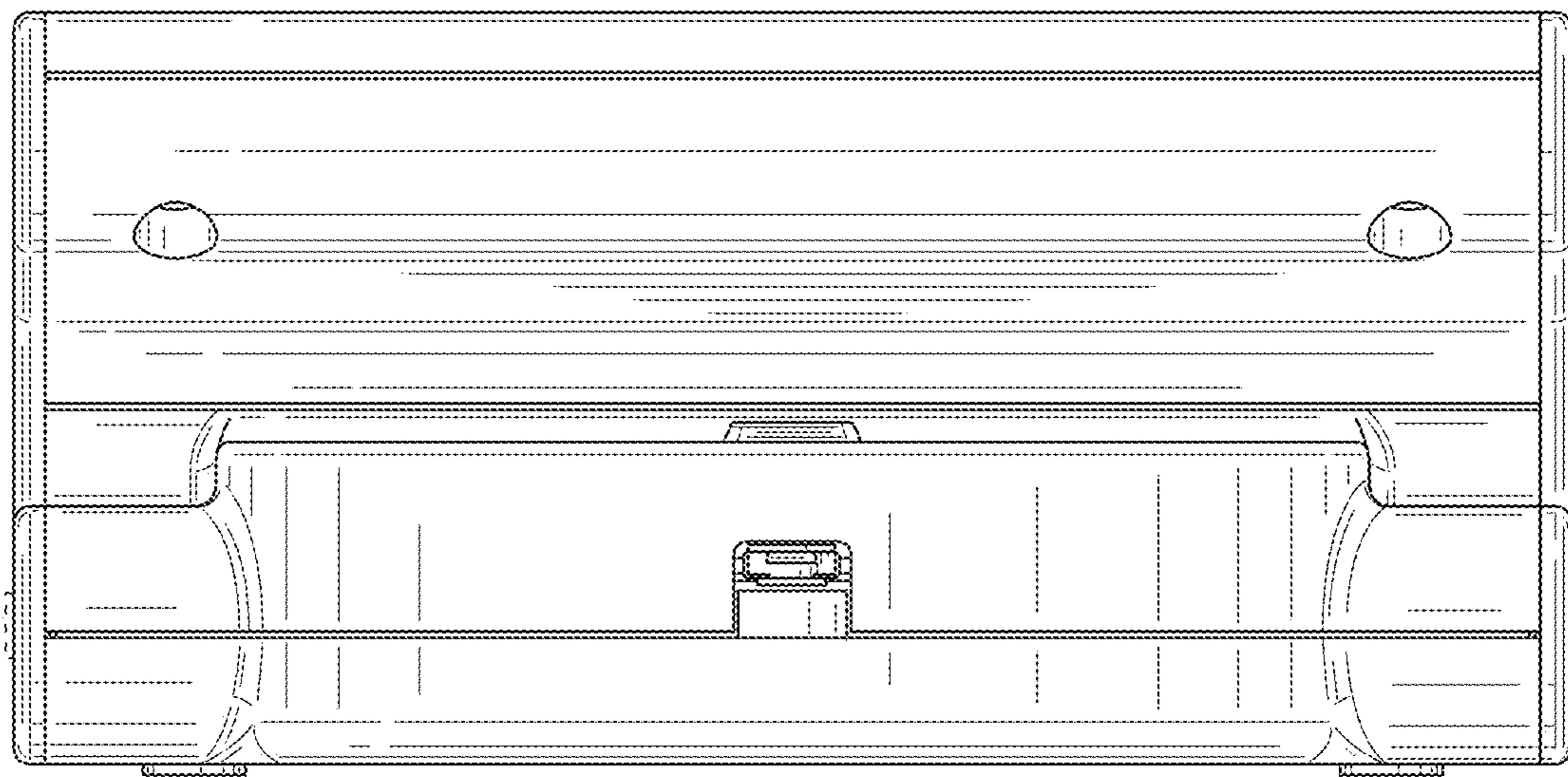


FIG. 15

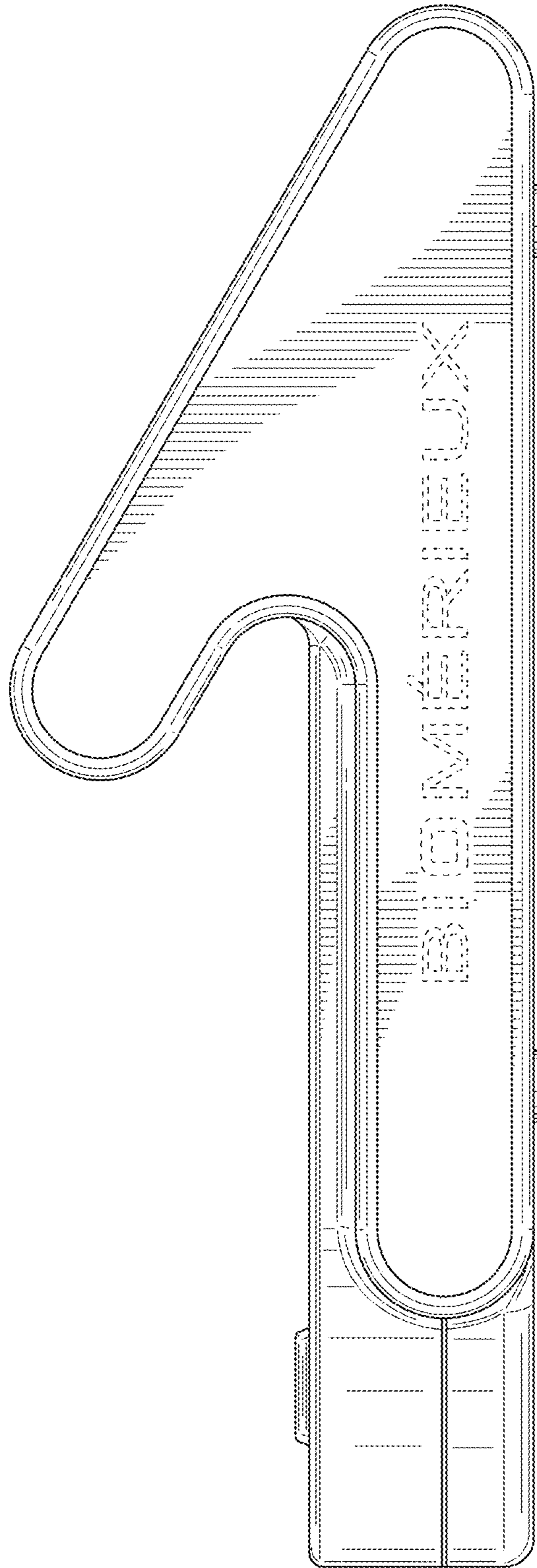


FIG. 16

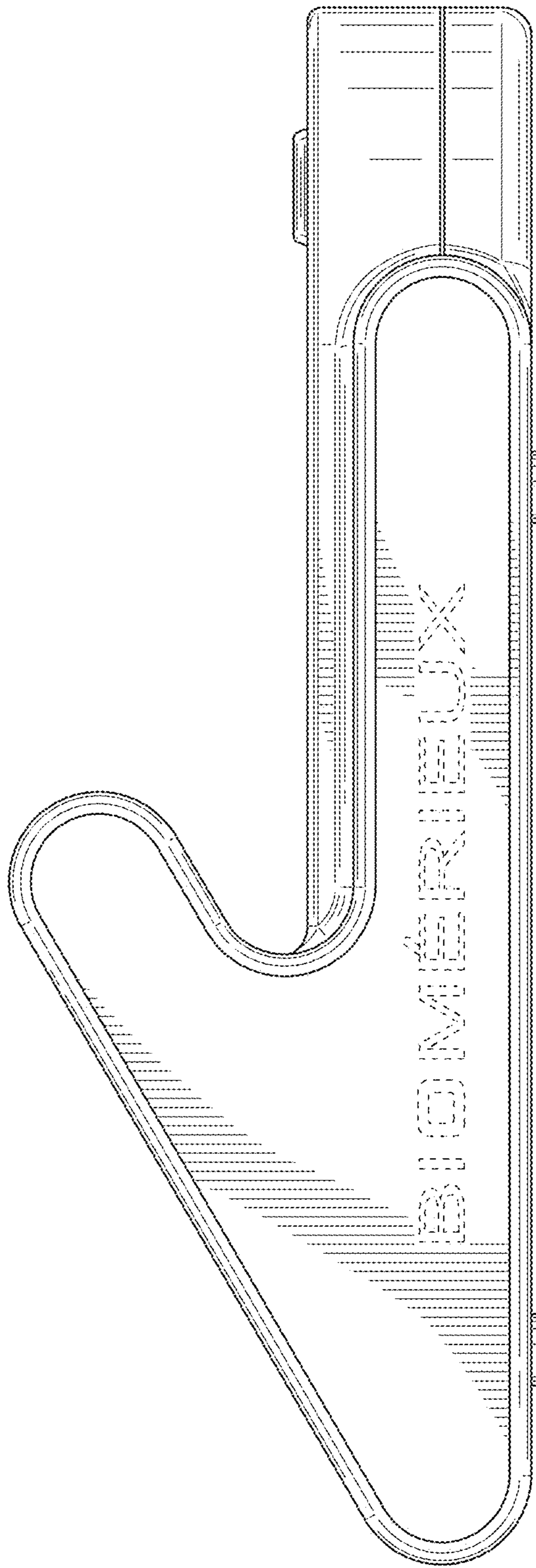


FIG. 17