



US00D874675S

(12) **United States Design Patent**
Cheung

(10) **Patent No.:** **US D874,675 S**

(45) **Date of Patent:** **** Feb. 4, 2020**

(54) **VIBRATOR**

(71) Applicant: **Brandcore Limited**, Road Town,
Tortola (VG)

(72) Inventor: **Lai Lam Cheung**, Ma On Shan (HK)

(73) Assignee: **Brandcore Limited** (VG)

(**) Term: **15 Years**

(21) Appl. No.: **29/606,043**

(22) Filed: **Jun. 1, 2017**

(30) **Foreign Application Priority Data**

Dec. 2, 2016 (EM) 003496785

(51) **LOC (12) Cl.** **28-03**

(52) **U.S. Cl.**
USPC **D24/215**

(58) **Field of Classification Search**
USPC .. 601/15, 18, 19, 27, 28-32, 46, 47, 48, 52,
601/72, 99, 112, 113, 118, 135, 137,
601/DIG. 12, DIG. 14, DIG. 15, DIG. 16,
601/DIG. 17; D24/200, 211, 212, 213,
D24/214, 215; D30/160; 600/38, 39, 40,
600/41

CPC .. A61H 23/004; A61H 15/0085; A61H 19/34;
A61H 19/40; A61H 19/44; A61H 19/50;
A61H 19/30; A61H 2201/0153; A61H
2205/087; A61H 23/02

See application file for complete search history.

(56) **References Cited**

U.S. PATENT DOCUMENTS

6,190,307 B1 * 2/2001 Tsai A61H 19/34
600/38
D558,356 S * 12/2007 Nan D24/105
D606,208 S * 12/2009 Nan D24/215
7,803,126 B2 * 9/2010 Nan A61H 19/34
128/845

D630,762 S * 1/2011 Elliott D24/215
D653,349 S * 1/2012 Chong D24/215
D667,133 S * 9/2012 Marshall D24/215
D670,398 S * 11/2012 Peddicord D24/215
D670,399 S * 11/2012 Peddicord D24/215
D681,219 S * 4/2013 Chen D24/215
D681,223 S * 4/2013 Chen D24/215
D685,917 S * 7/2013 Chen D24/215
D685,918 S * 7/2013 Chen D24/215
D693,935 S * 11/2013 Chen D24/215
D693,936 S * 11/2013 Chen D24/215

(Continued)

OTHER PUBLICATIONS

Amazon, "Rabbit Anal Dildo Vibrator", Dec. 12, 2018. https://www.amazon.com/G-Spot-Rabbit-Dildo-Vibrator-Vibrating/dp/B07KPVGGNC/ref=cm_cr_ar_p_d_product_top?ie=UTF8&th=1.
Shown on p. 1. (Year: 2019).*

Primary Examiner — Cynthia Ramirez
Assistant Examiner — Michael A Maharajh
(74) *Attorney, Agent, or Firm* — Merek, Blackmon & Voorhees, LLC

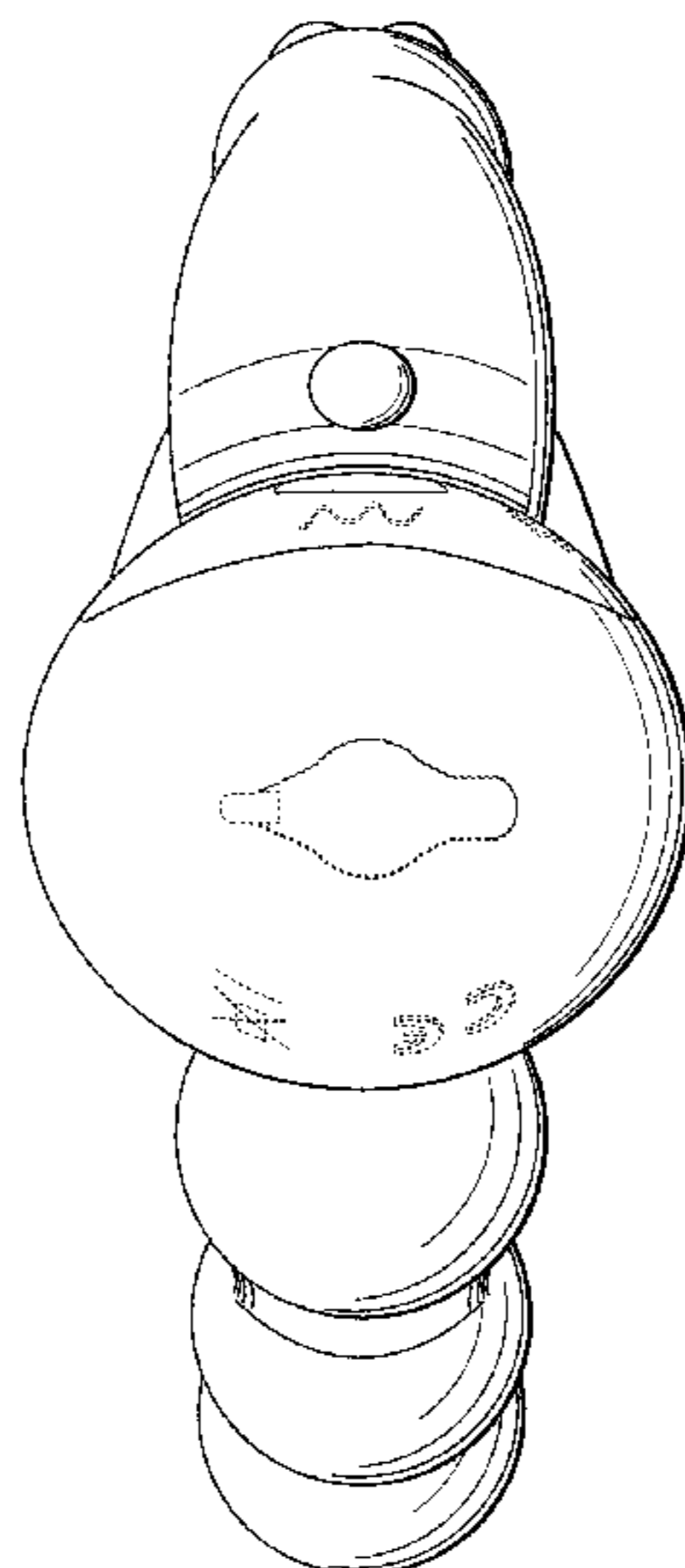
(57) **CLAIM**

I claim the ornamental design for a vibrator, as shown and described.

DESCRIPTION

FIG. 1 is bottom view of the vibrator showing my new design.
FIG. 2 is a front elevational view of the vibrator of FIG. 1.
FIG. 3 is a left-side view of the vibrator of FIG. 1; with the right side view being a mirror image thereof.
FIG. 4 is a back elevational view of the vibrator of FIG. 1; and,
FIG. 5 is a top view of the vibrator of FIG. 1.
The broken lines in the figures are for the purpose of illustrating portions of the vibrator, which form part of the claimed design.

1 Claim, 5 Drawing Sheets



(56)

References Cited

U.S. PATENT DOCUMENTS

D702,363 S *	4/2014	Tai	D24/215	2012/0259254 A1 *	10/2012	Chen	A61H 23/0263
D712,054 S *	8/2014	Tai	A61H 19/40					601/46
				D24/215	2013/0110017 A1 *	5/2013	Imboden	A61H 1/00
D723,179 S *	2/2015	Elliott	D24/215					601/46
D739,547 S *	9/2015	Cheung	D24/215	2013/0178769 A1 *	7/2013	Schmidt	A61H 19/34
D739,548 S *	9/2015	Cheung	D24/215					601/46
D743,570 S *	11/2015	Cheung	D24/215	2013/0261385 A1 *	10/2013	Zipper	A61H 19/40
D758,604 S *	6/2016	Brinberg	D24/215					600/38
D771,830 S *	11/2016	Sedic	D24/215	2015/0174001 A1 *	6/2015	Milton	A61H 21/00
D795,445 S *	8/2017	Marshall	D24/215					600/41
D796,054 S *	8/2017	Chen	D24/215	2015/0245979 A1 *	9/2015	Knyrim	A61H 23/0263
D796,055 S *	8/2017	Chen	D24/215					600/38
D798,465 S *	9/2017	Lin	D24/215	2016/0000642 A1 *	1/2016	Zipper	A61H 19/34
D817,507 S *	5/2018	Cheung	D24/215					600/38
D818,142 S *	5/2018	Cheung	D24/215	2016/0008218 A1 *	1/2016	Munson	A61H 19/34
D818,143 S *	5/2018	Cheung	D24/215					601/46
D818,144 S *	5/2018	Cheung	D24/215	2016/0015596 A1 *	1/2016	Murison	A61H 23/0263
D827,850 S *	9/2018	Pounders	D24/215					600/38
D854,181 S *	7/2019	Wei	D24/215	2016/0045392 A1 *	2/2016	Massey	A61H 23/02
10,350,135 B2 *	7/2019	Sedic							601/46
2007/0118058 A1 *	5/2007	Isshiki	A61H 19/34	2016/0051438 A1 *	2/2016	Hahr	A61H 19/34
				601/70					601/72
2008/0119767 A1 *	5/2008	Berry	A61H 19/34	2016/0120737 A1 *	5/2016	Sedic	A61H 19/34
				601/46					601/46
2009/0093673 A1 *	4/2009	Lee	A61H 19/34	2016/0128896 A1 *	5/2016	Lee	A61H 19/44
				600/38					601/72
2011/0034837 A1 *	2/2011	Lee	A61H 19/44	2016/0184178 A1 *	6/2016	Hahr	A61H 19/34
				601/46					600/38
2011/0105837 A1 *	5/2011	Lee	A61H 19/34	2017/0095399 A1 *	4/2017	Lee	A61H 19/44
				600/38	2017/0266076 A1 *	9/2017	Chen	A61H 9/0057
2012/0215141 A1 *	8/2012	Peddicord	A61H 19/00	2017/0367925 A1 *	12/2017	Allen	A61H 23/04
				601/46	2018/0042809 A1 *	2/2018	Zipper	A61H 19/40
					2018/0071167 A1 *	3/2018	Lee	A61H 19/44

* cited by examiner

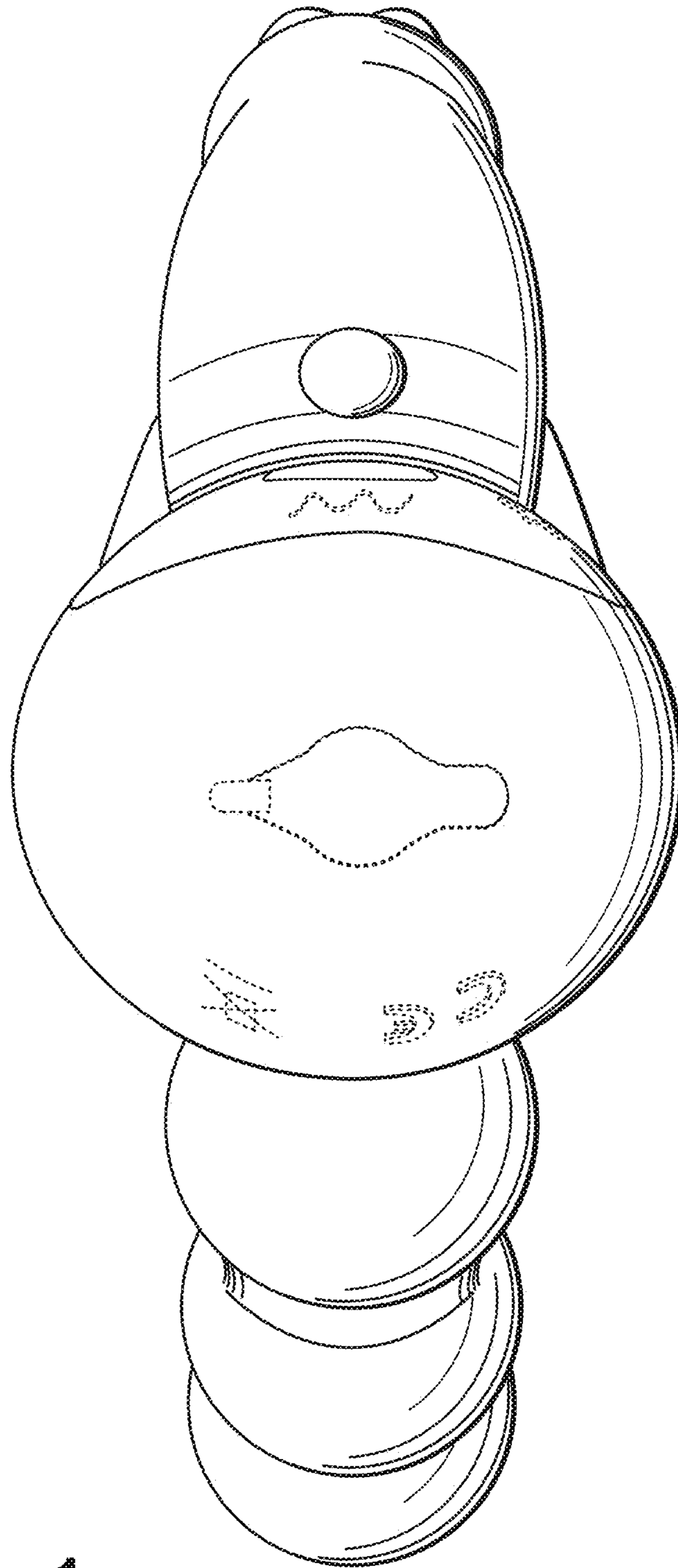


Fig. 1

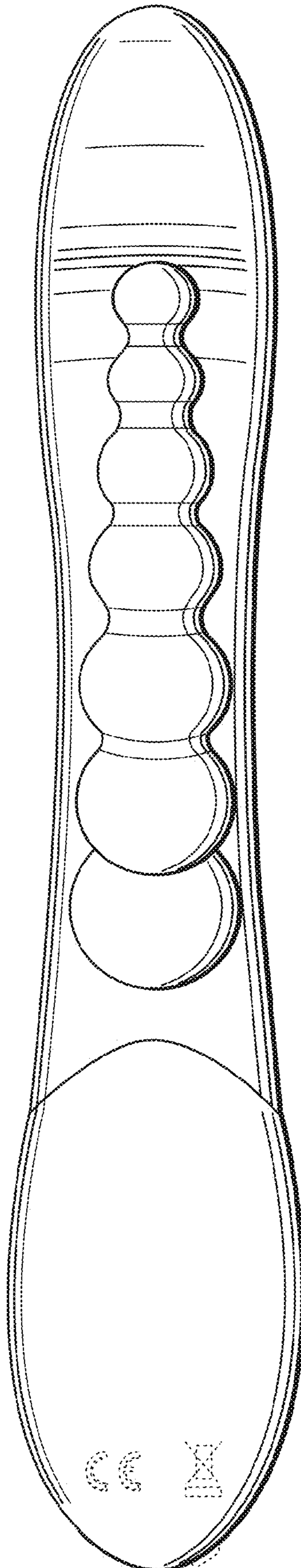


Fig. 2

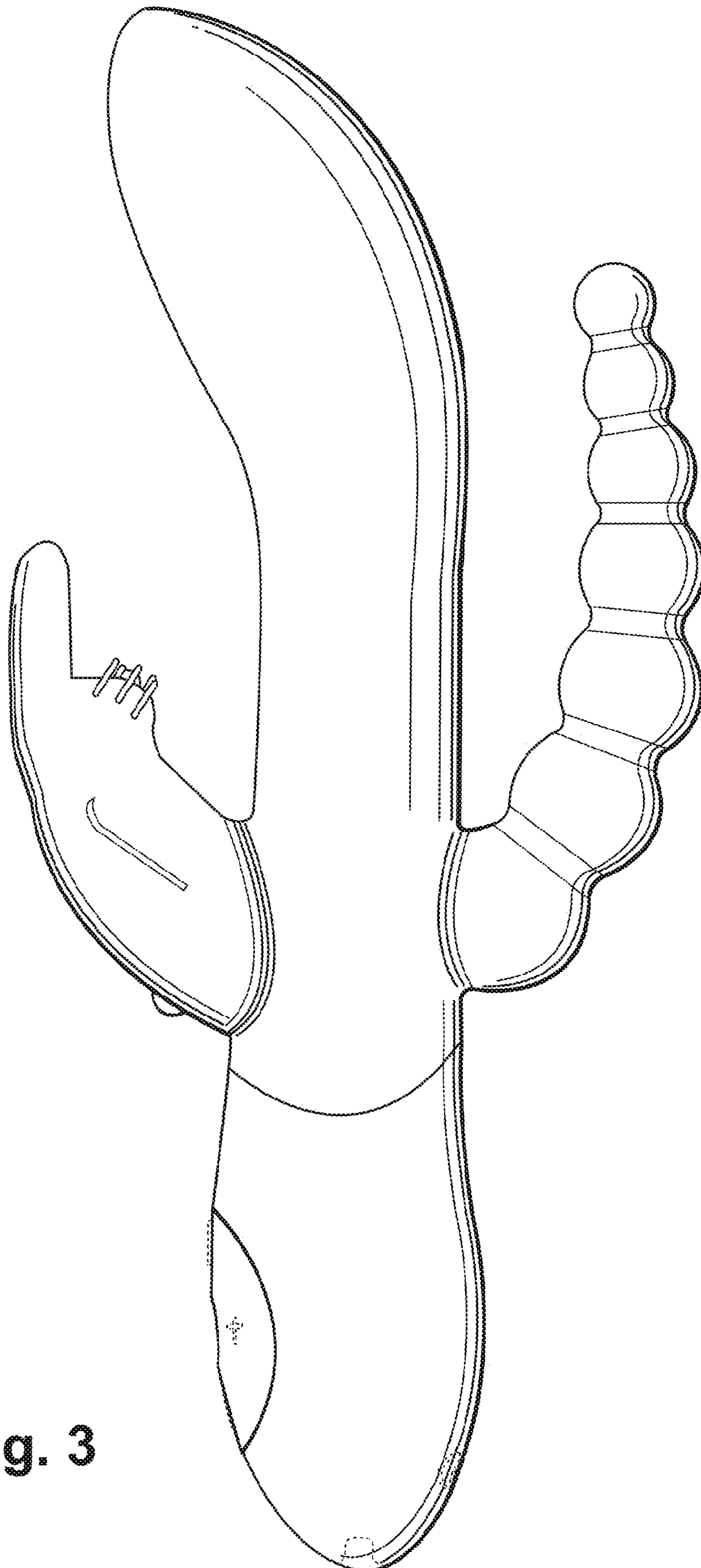


Fig. 3

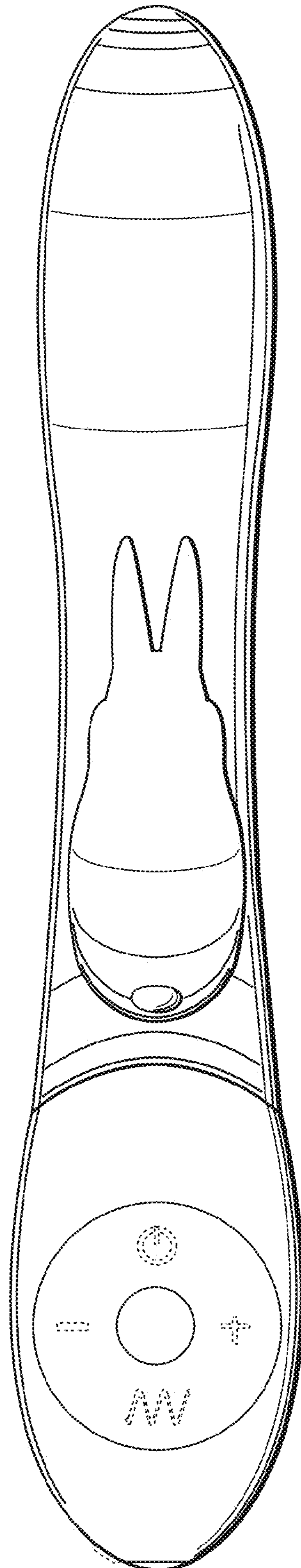


Fig. 4

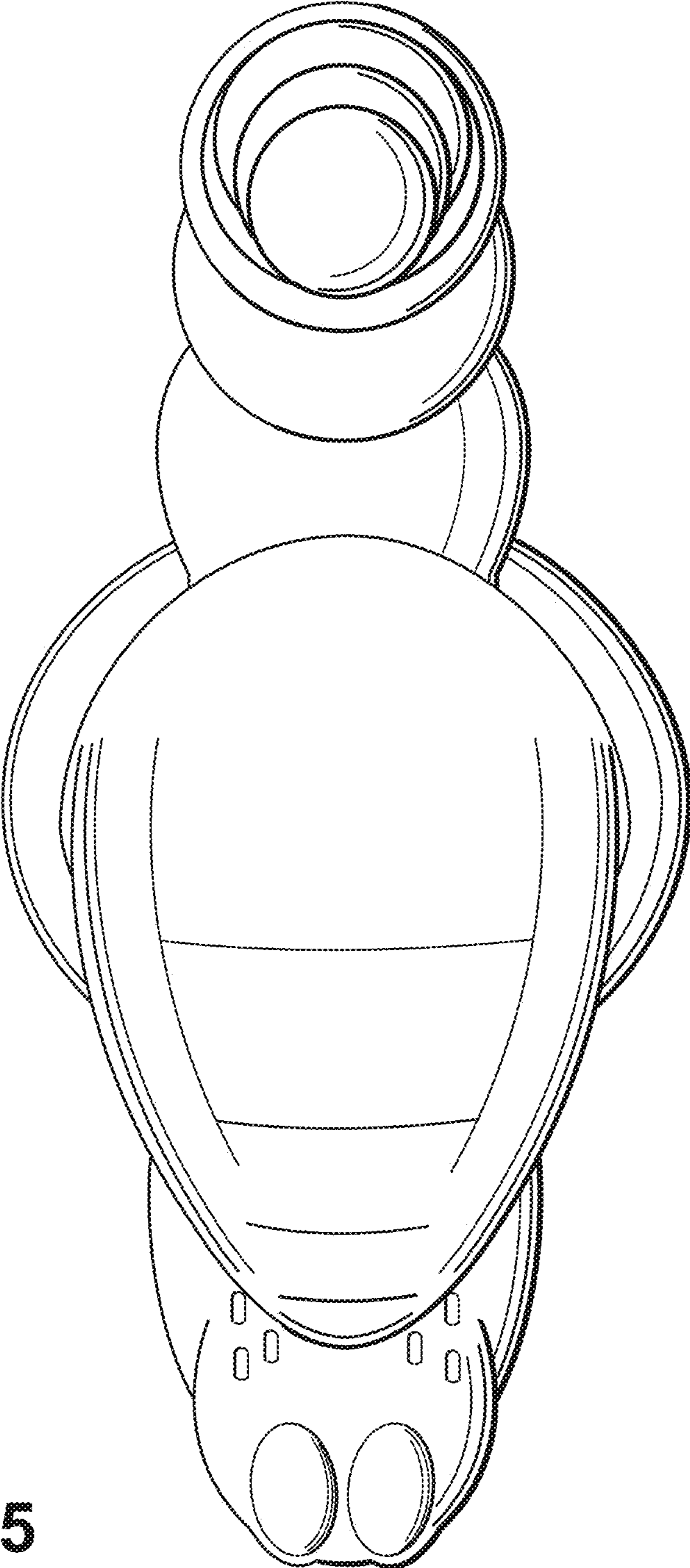


Fig. 5