



US00D874674S

(12) **United States Design Patent**
Cheung

(10) **Patent No.:** **US D874,674 S**

(45) **Date of Patent:** **** Feb. 4, 2020**

- (54) **VIBRATOR**
- (71) Applicant: **Brandcore Limited**, Road Town, Tortola (VG)
- (72) Inventor: **Lai Lam Cheung**, Ma On Shan (HK)
- (73) Assignee: **Brandcore Limited** (VG)
- (**) Term: **15 Years**
- (21) Appl. No.: **29/581,125**
- (22) Filed: **Oct. 17, 2016**
- (51) **LOC (12) Cl.** **28-03**
- (52) **U.S. Cl.**
USPC **D24/215**
- (58) **Field of Classification Search**
USPC D24/200, 211, 212, 213, 214, 215;
601/19, 22, 40, 46, 52, 63, 99, 110, 111,
601/112, 113, 118, 119, 120, 125,
601/DIG. 12-17
CPC A61H 1/00; A61H 2015/0007; A61H
2015/0014; A61H 2015/0042; A61H
15/00; A61H 11/00; A61H 21/00; A61H
37/00
See application file for complete search history.

D758,604 S *	6/2016	Brinberg	D24/215
D771,830 S *	11/2016	Sedic	D24/215
D796,054 S *	8/2017	Chen	D24/215
D796,055 S *	8/2017	Chen	D24/215
D818,142 S *	5/2018	Cheung	D24/215
D818,603 S *	5/2018	Marshall	D24/215
D838,377 S *	1/2019	Hu	D24/215
D854,181 S *	7/2019	Wei	D24/215
2013/0178769 A1 *	7/2013	Schmidt	A61H 19/34 601/46
2013/0231385 A1 *	9/2013	Ahn	C07C 235/56 514/454
2016/0120737 A1 *	5/2016	Sedic	A61H 19/34 601/46

* cited by examiner

Primary Examiner — Sandra S Snapp
(74) *Attorney, Agent, or Firm* — Merek, Blackmon & Voorhees, LLC

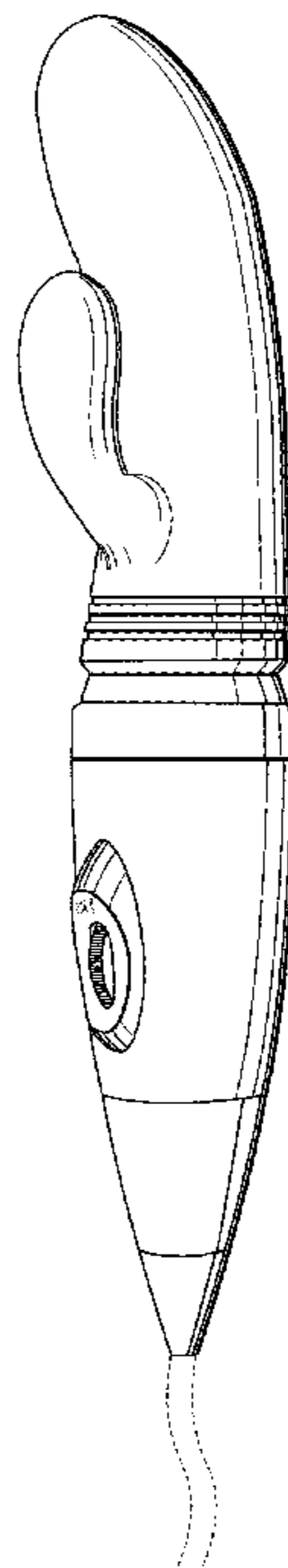
(57) **CLAIM**

The ornamental design for a vibrator, as shown and described.

DESCRIPTION

FIG. 1 is a left, front perspective view of a vibrator with the ornamental design, with the right, front perspective view being a mirror image thereof;
FIG. 2 is a front side view of the vibrator of FIG. 1;
FIG. 3 is a rear side view of the vibrator of FIG. 1;
FIG. 4 is an enlarged top plan view of the vibrator of FIG. 1; and,
FIG. 5 is an enlarged bottom plan view of the vibrator of FIG. 1.
The areas shown within the broken lines represent portions of the vibrator, which form no part of the claimed design.

1 Claim, 4 Drawing Sheets



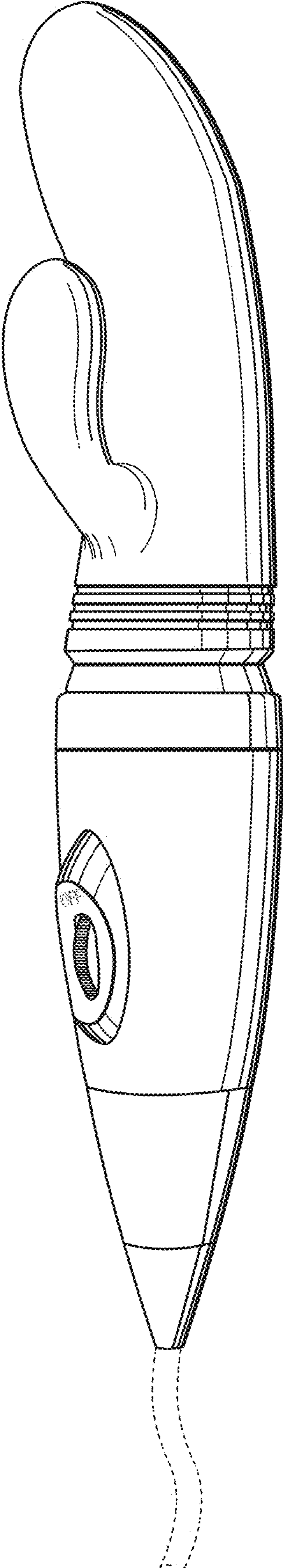


Fig. 1

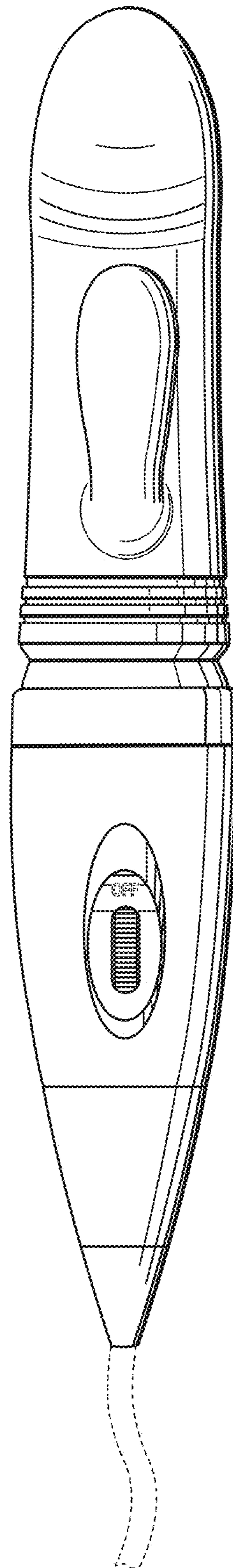


Fig. 2

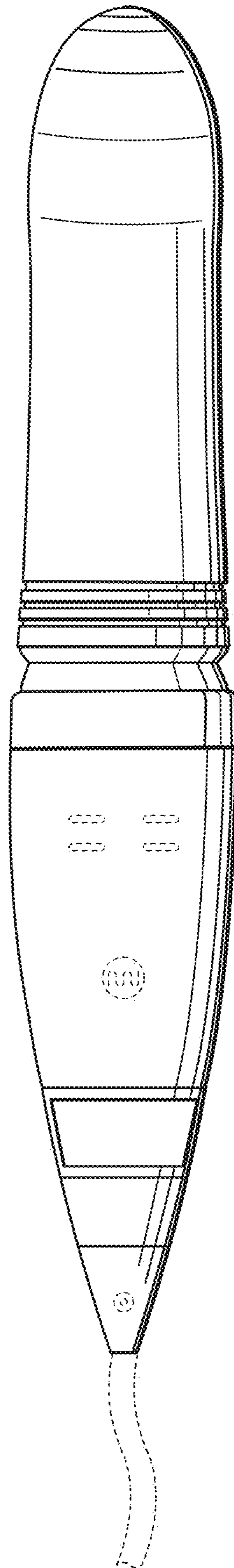


Fig. 3

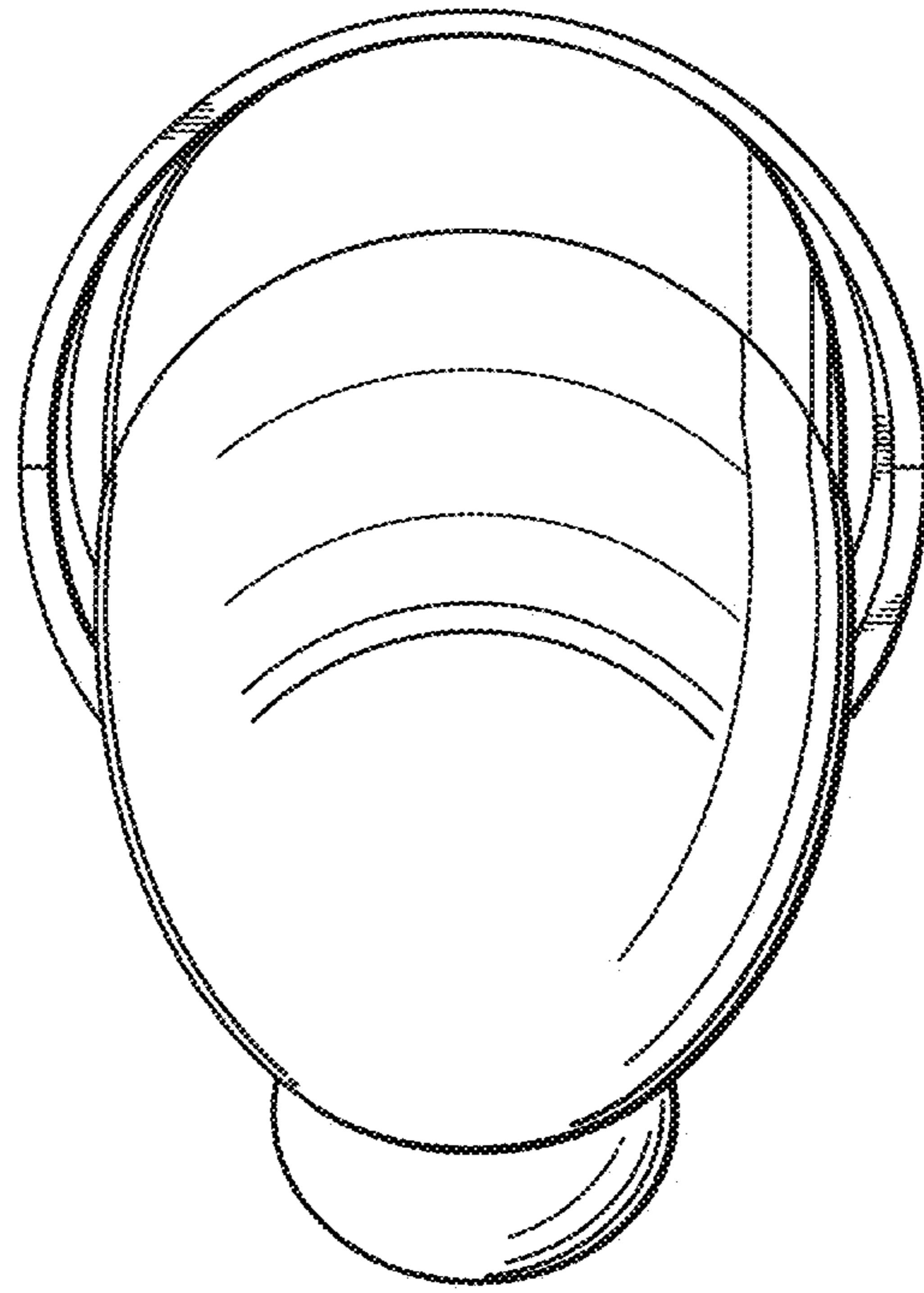


Fig. 4

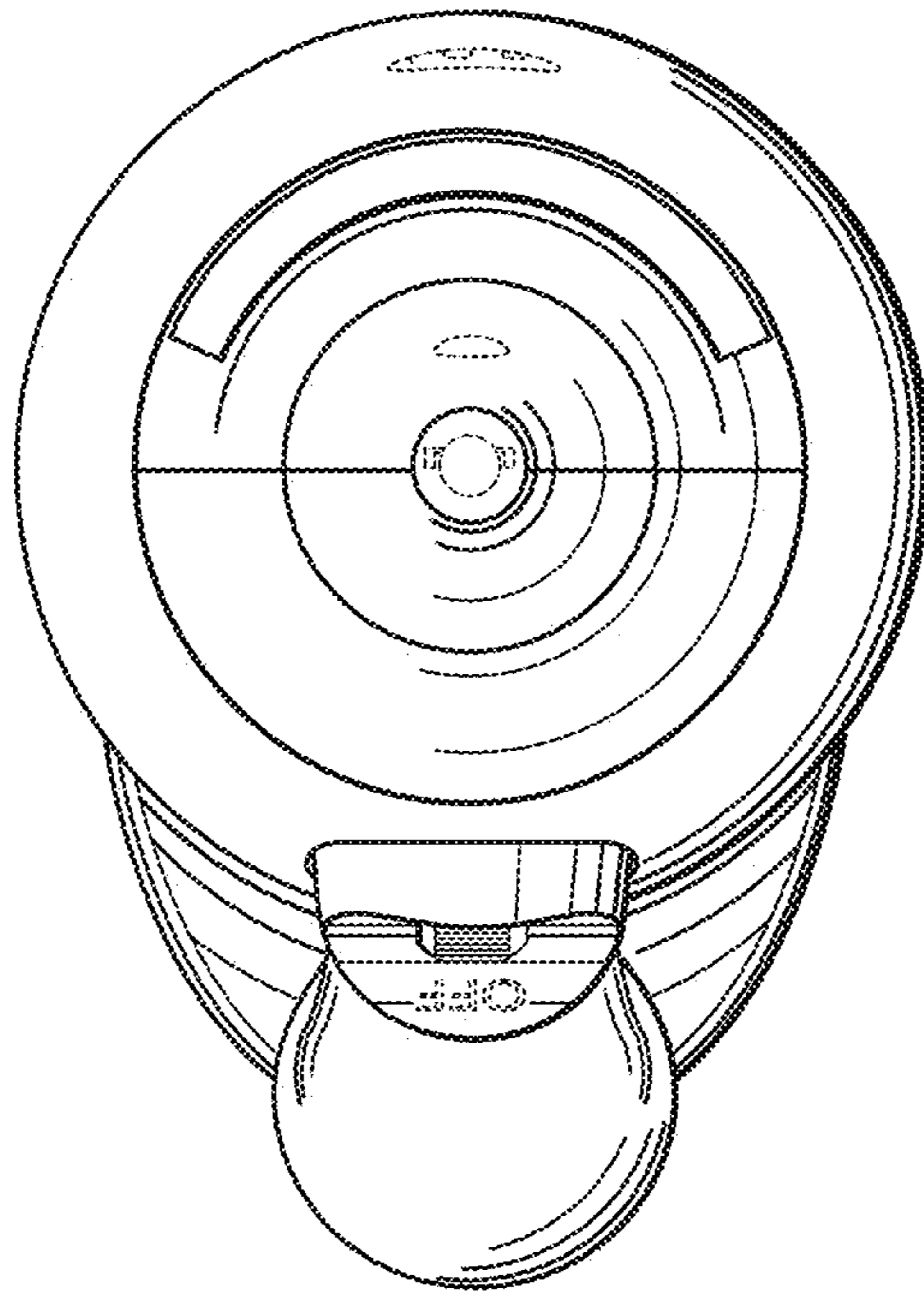


Fig. 5