



US00D874673S

(12) **United States Design Patent**
Cheung

(10) **Patent No.:** **US D874,673 S**

(45) **Date of Patent:** **** Feb. 4, 2020**

(54) **VIBRATOR**

(71) Applicant: **Brandcore Limited**, Road Town,
Tortola (VG)

(72) Inventor: **Lai Lam Cheung**, Ma On Shan (HK)

(73) Assignee: **Brandcore Limited** (VG)

(**) Term: **15 Years**

(21) Appl. No.: **29/581,115**

(22) Filed: **Oct. 17, 2016**

(51) **LOC (12) Cl.** **28-03**

(52) **U.S. Cl.**
USPC **D24/215**

(58) **Field of Classification Search**
USPC 11/200, 211, 212, 213, 214, 215; 601/19,
601/22, 40, 46, 52, 63, 99, 110, 111, 112,
601/113, 118, 119, 120, 125, DIG. 12-17
CPC A61H 1/00; A61H 2015/0007; A61H
2015/0014; A61H 2015/0042; A61H
15/00; A61H 11/00; A61H 21/00; A61H
37/00

See application file for complete search history.

(56) **References Cited**

U.S. PATENT DOCUMENTS

D509,301 S * 9/2005 Talbot D24/215
D613,417 S * 4/2010 Imboden D24/215

D620,601 S * 7/2010 TerMeer D24/215
D637,308 S * 5/2011 Imboden D24/215
D648,442 S * 11/2011 Caggiano D24/215
D681,225 S * 4/2013 Chen D24/215
D773,065 S * 11/2016 Driscoll D24/215
D818,142 S * 5/2018 Cheung D24/215
D852,973 S * 7/2019 Yueh D24/215

* cited by examiner

Primary Examiner — Sandra S Snapp

(74) *Attorney, Agent, or Firm* — Merek, Blackmon &
Voorhees, LLC

(57) **CLAIM**

The ornamental design for a vibrator, as shown and
described.

DESCRIPTION

FIG. 1 is a left, front perspective view of a vibrator with the
ornamental design, with the right, front perspective view
being a mirror image thereof;

FIG. 2 is a front side view of the vibrator of FIG. 1;

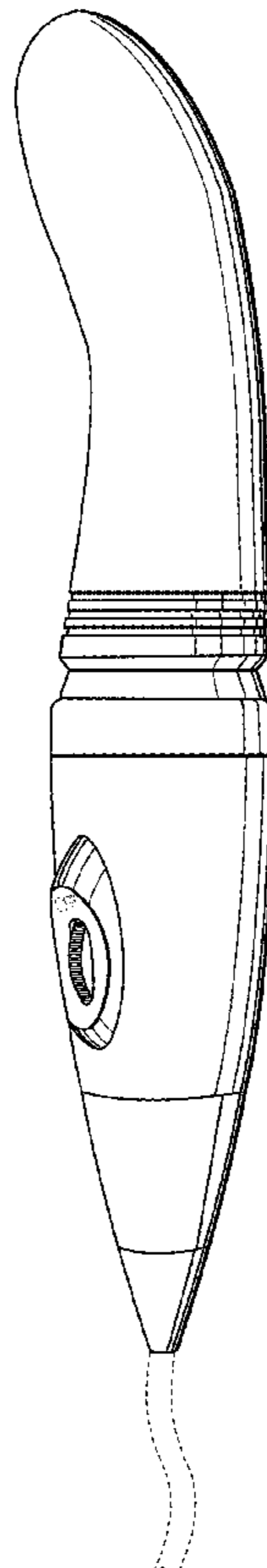
FIG. 3 is a rear side view of the vibrator of FIG. 1;

FIG. 4 is a top, enlarged plan view of the vibrator of FIG. 1;
and,

FIG. 5 is a bottom, enlarged plan view of the vibrator of FIG.
1.

The areas shown within the broken lines represent portions
of the vibrator which form no portion of the claimed design.

1 Claim, 4 Drawing Sheets



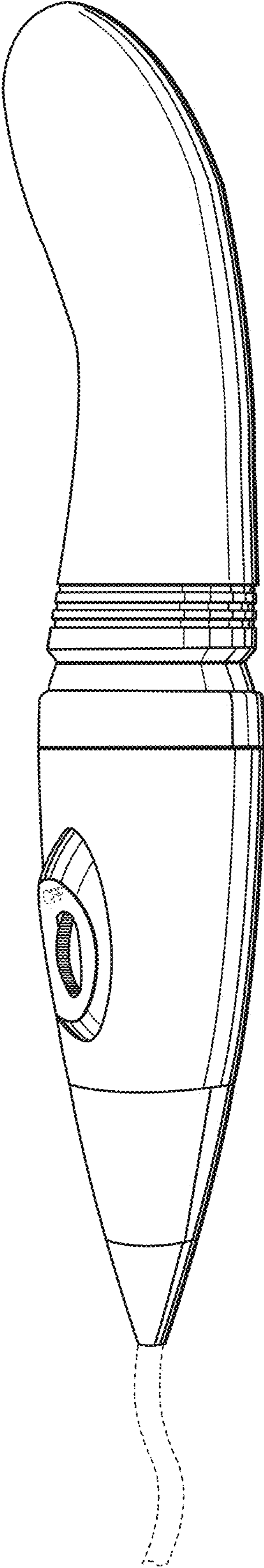


Fig. 1

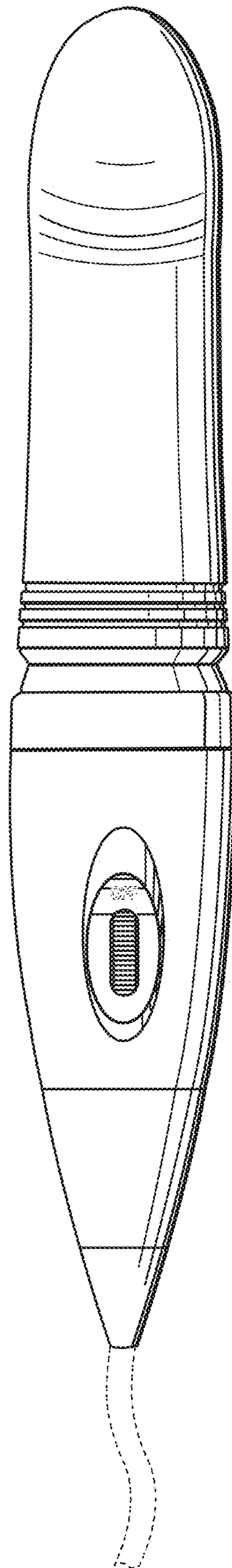


Fig. 2

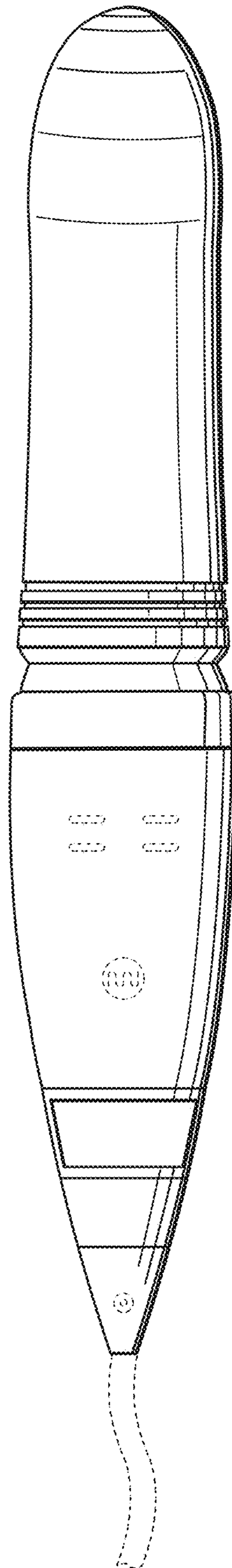


Fig. 3

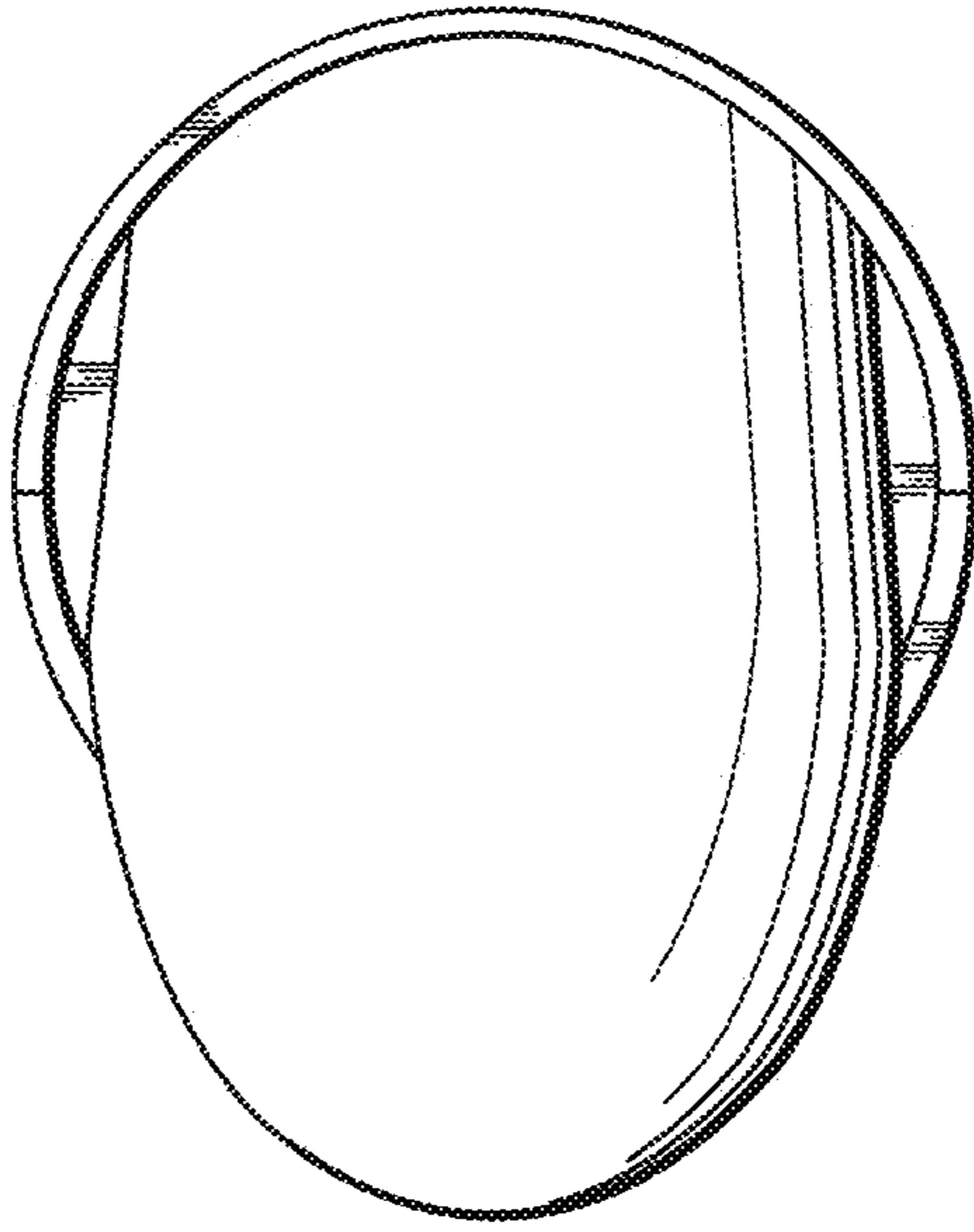


Fig. 4

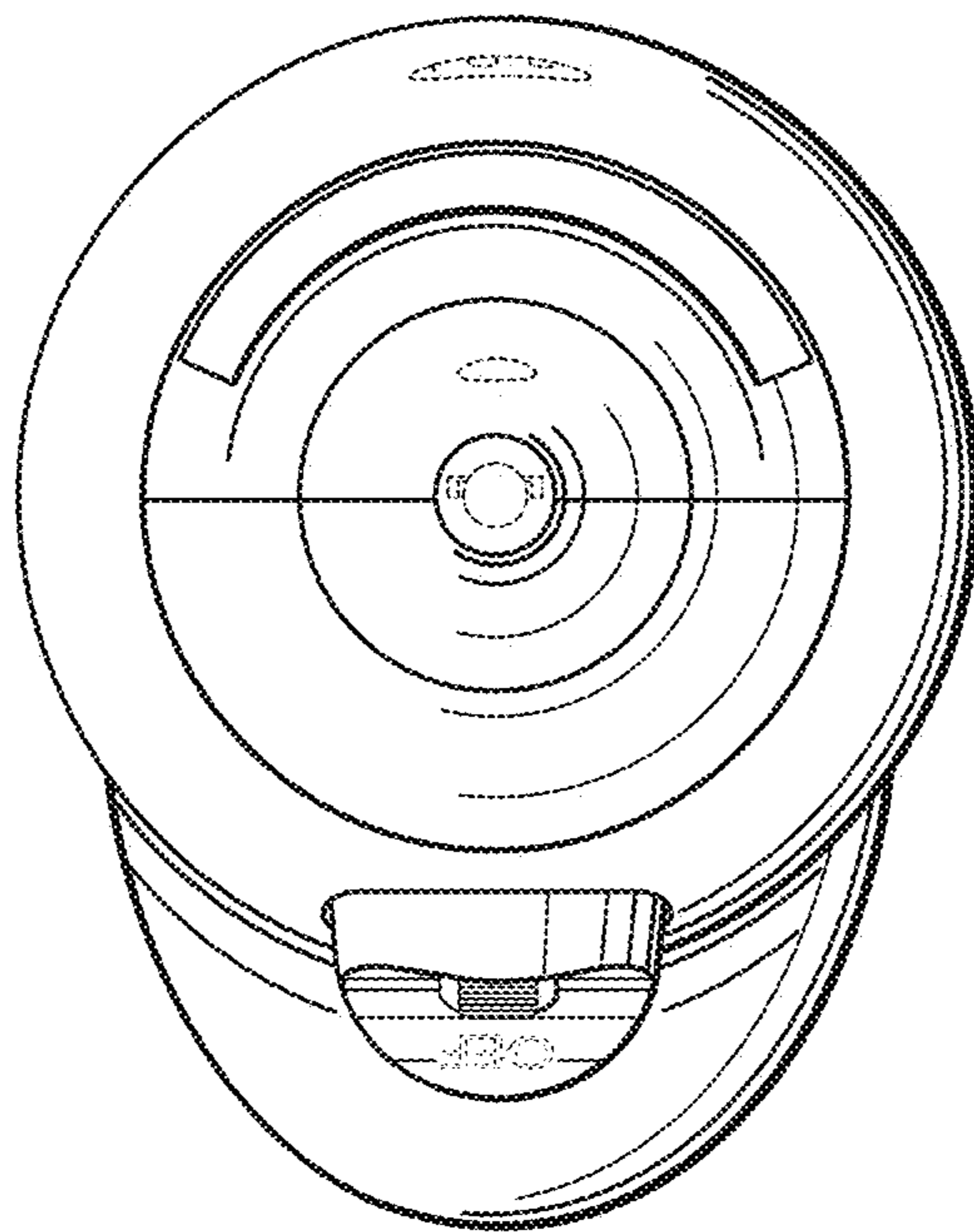


Fig. 5