



US00D874667S

(12) **United States Design Patent** (10) **Patent No.:** **US D874,667 S**
McManigal et al. (45) **Date of Patent:** **** *Feb. 4, 2020**

(54) **SOUND BAR**

- (71) Applicant: **Vizio Inc**, Irvine, CA (US)
- (72) Inventors: **Scott McManigal**, Irvine, CA (US);
Howard Cheng, Irvine, CA (US)
- (73) Assignee: **Vizio, Inc**, Irvine, CA (US)
- (*) Notice: This patent is subject to a terminal disclaimer.
- (**) Term: **15 Years**
- (21) Appl. No.: **29/631,084**
- (22) Filed: **Dec. 27, 2017**
- (51) **LOC (12) Cl.** **14-01**
- (52) **U.S. Cl.**
USPC **D24/214**
- (58) **Field of Classification Search**
USPC D14/167, 168, 170–172, 188, 194–196,
D14/204, 209.1, 210–216, 219, 221, 222,
D14/224, 239, 496
CPC B60R 11/0217; G06F 1/1688; G10K 9/22;
G10K 11/004; H03F 1/327; H04M 1/03;
H04M 1/035; H04N 5/642; H04N
21/4852; H04R 1/02; H04R 1/06; H04R
1/021; H04R 1/025; H04R 1/026; H04R
1/028; H04R 1/105; H04R 1/323; H04R
1/403; H04R 1/2803; H04R 1/2834;
H04R 5/02; H04R 7/20; H04R 9/06;
H04R 9/025; H04R 2201/021; H04R
2400/00; H04R 2400/07; H04R 2499/11;
H04R 2499/13; H04R 2499/15; H04S
3/00; H04S 7/30

See application file for complete search history.

(56) **References Cited**

U.S. PATENT DOCUMENTS

D715,257 S *	10/2014	Son	D14/214
D754,100 S *	4/2016	McManigal	D14/214
D756,968 S *	5/2016	Huang	D14/214
D759,624 S *	6/2016	Byrd	D14/204
D768,603 S *	10/2016	Kim	D14/214
D800,693 S *	10/2017	Sugiura	D14/214
D817,308 S *	5/2018	Sugiura	D14/214
D818,455 S *	5/2018	McManigal	D14/214
D836,082 S *	12/2018	McManigal	D14/204

* cited by examiner

Primary Examiner — Keli L Hill

(74) *Attorney, Agent, or Firm* — Law Office of Scott C Harris, Inc

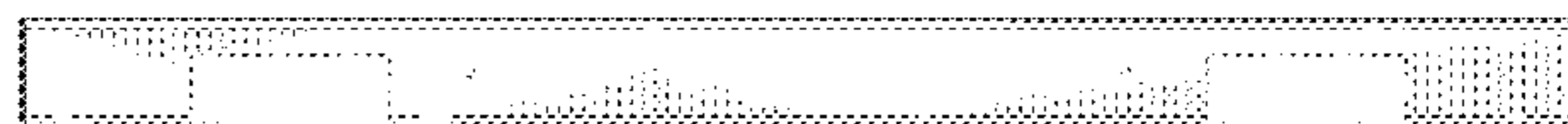
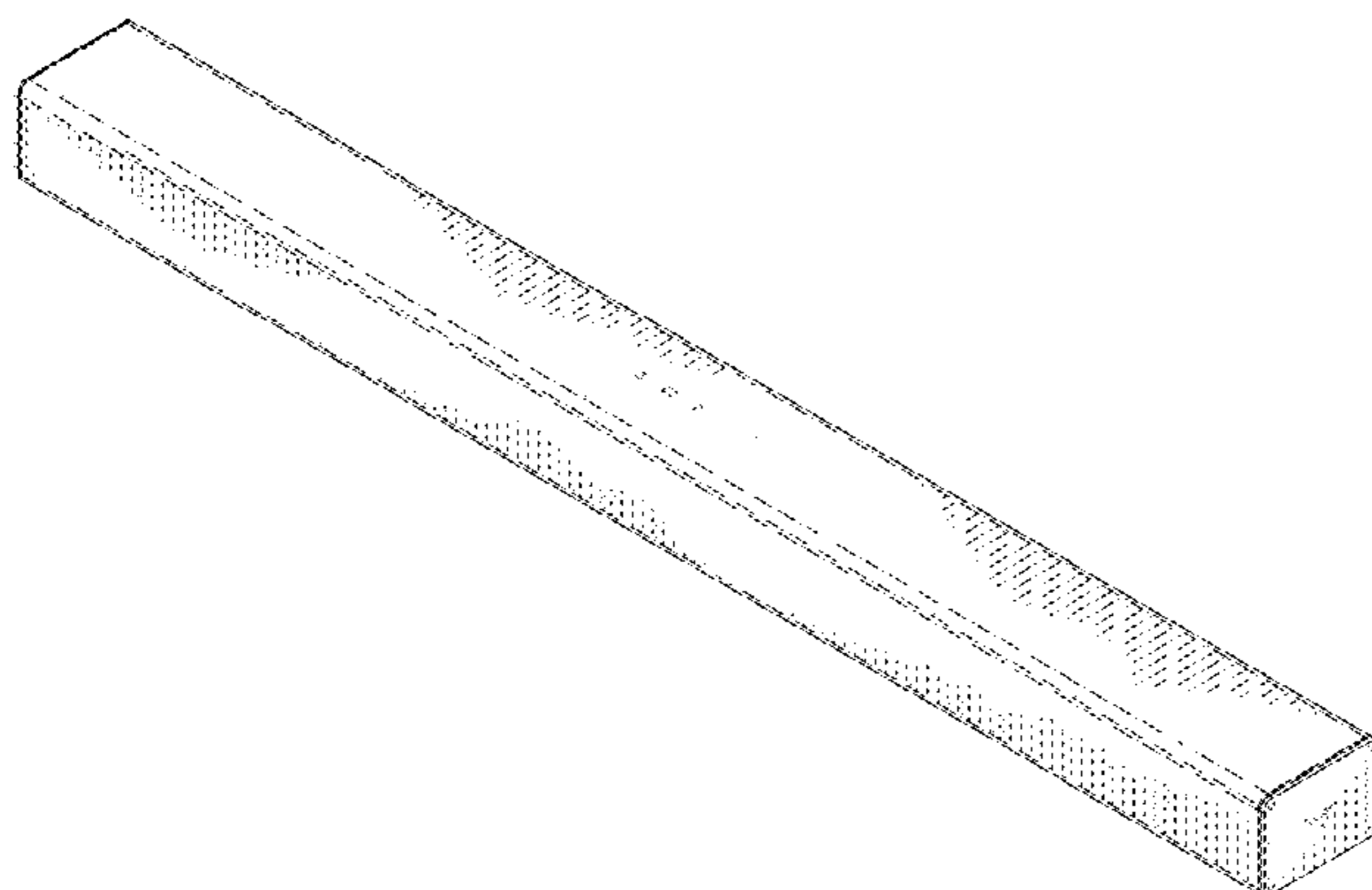
(57) **CLAIM**

The ornamental design for a sound bar, as shown and described.

DESCRIPTION

FIG. 1 shows a first perspective view of the sound bar; FIG. 2 shows a front view of the sound bar; FIG. 3 shows a rear view of the sound bar; FIG. 4 shows a first side view of the sound bar; FIG. 5 shows a second side view of the sound bar; FIG. 6 shows a top side view of the sound bar; and, FIG. 7 shows a bottom side view of the sound bar. The portions shown in broken lines form no part of the claimed design.

1 Claim, 3 Drawing Sheets



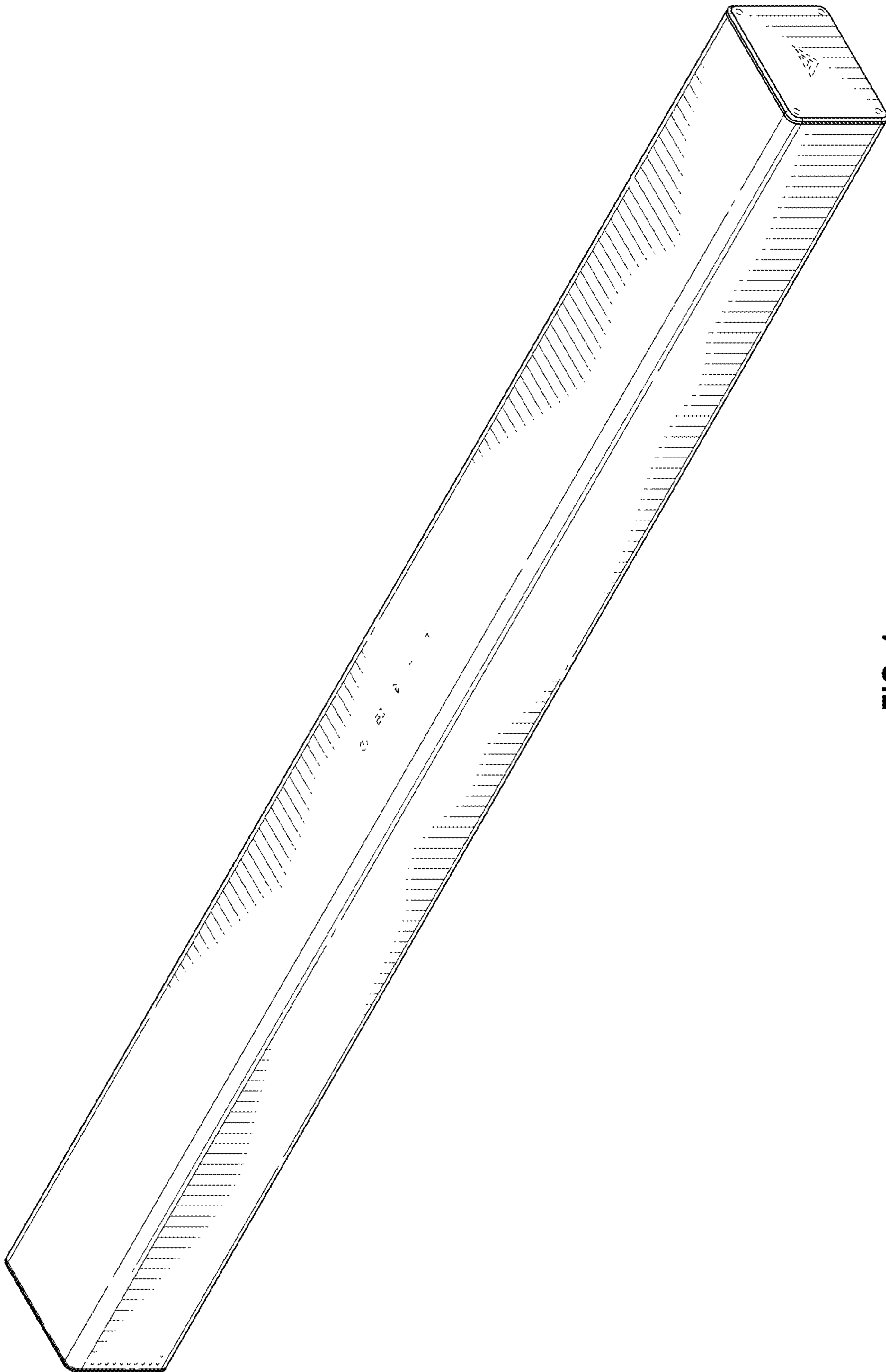


FIG. 1

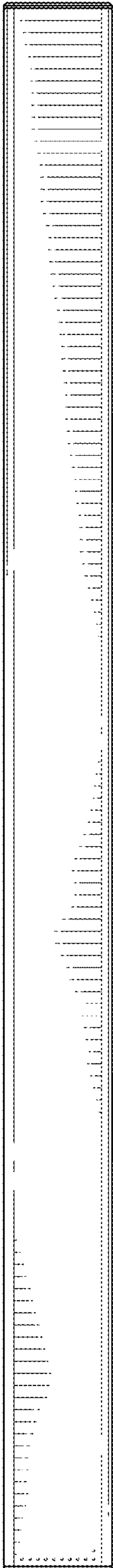


FIG. 2

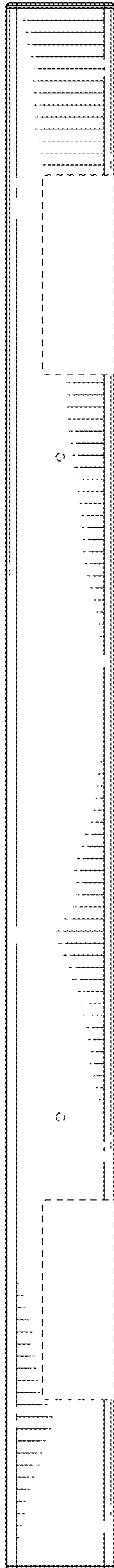


FIG. 3

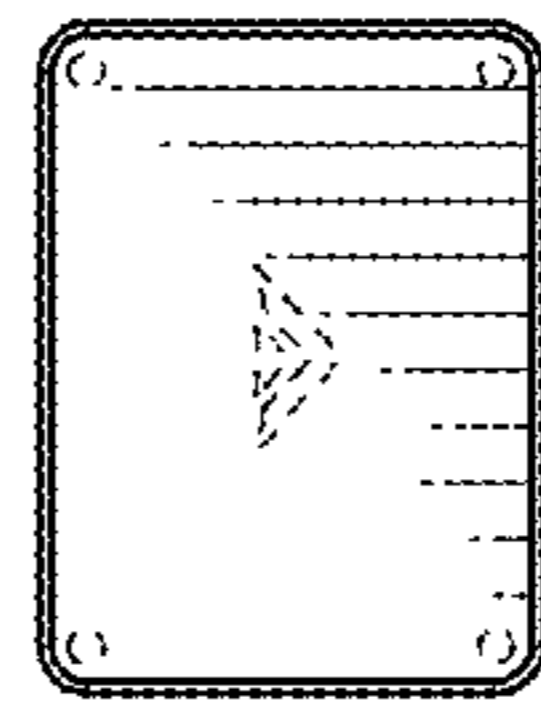


FIG. 4

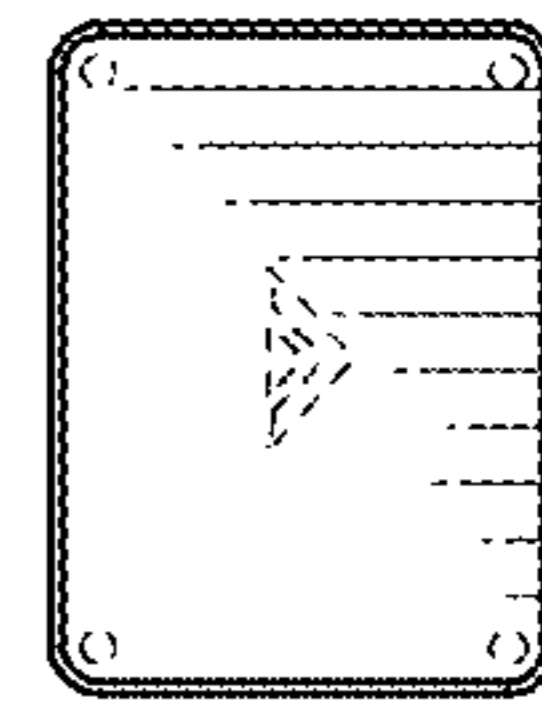


FIG. 5

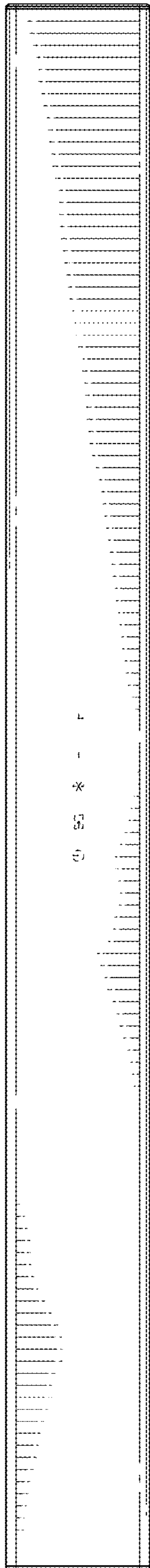


FIG. 6

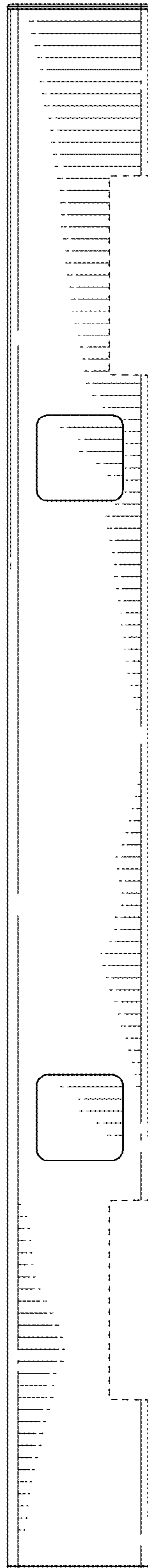


FIG. 7