



US00D874665S

(12) **United States Design Patent**
Brown et al.

(10) **Patent No.:** **US D874,665 S**
(45) **Date of Patent:** **** Feb. 4, 2020**

(54) **NIPPLE FOR BABY BOTTLE**
(71) Applicants: **Craig E Brown**, Chesterfield, MO
(US); **Robert J Brown**, Chesterfield,
MO (US)

3,610,248 A 10/1971 Davidson
5,275,619 A 1/1994 Engebretson et al.
5,544,766 A * 8/1996 Dunn A61J 11/001
206/459.5

(Continued)

(72) Inventors: **Craig E Brown**, Chesterfield, MO
(US); **Robert J Brown**, Chesterfield,
MO (US)

OTHER PUBLICATIONS

“Dr. Brown’s Silicone Nipple—Level 1”. Found online Aug. 17,
2016 at diapers.com. Page dated Nov. 1, 2006. Retrieved from
<https://www.diapers.com/p/dr-browns-silicone-nipple-level-1-4941>.*

(Continued)

(**) Term: **15 Years**

(21) Appl. No.: **29/620,662**

(22) Filed: **Apr. 11, 2017**

Primary Examiner — Kendra Leslie Hamilton
(74) *Attorney, Agent, or Firm* — Paul M Denk

Related U.S. Application Data

(63) Continuation-in-part of application No. 29/505,428,
filed on Oct. 29, 2015, now abandoned, which is a
continuation-in-part of application No. 29/505,029,
filed on Apr. 30, 2015, now abandoned, which is a
continuation-in-part of application No. 29/474,759,
filed on Jan. 29, 2015, now abandoned, which is a
continuation-in-part of application No. 29/463,410,
filed on Nov. 14, 2013, now Pat. No. Des. 725,787.

(57) **CLAIM**

The ornamental design for a nipple for baby bottle, as shown
and described.

(51) **LOC (12) Cl.** **24-04**

(52) **U.S. Cl.**
USPC **D24/196**

(58) **Field of Classification Search**
USPC D24/193, 194, 195, 196, 197, 198, 199;
215/11.1, 11.2, 11.3, 11.4, 11.5, 11.6;
606/236
CPC A61J 11/00; A61J 11/0035; A61J 11/002
See application file for complete search history.

DESCRIPTION

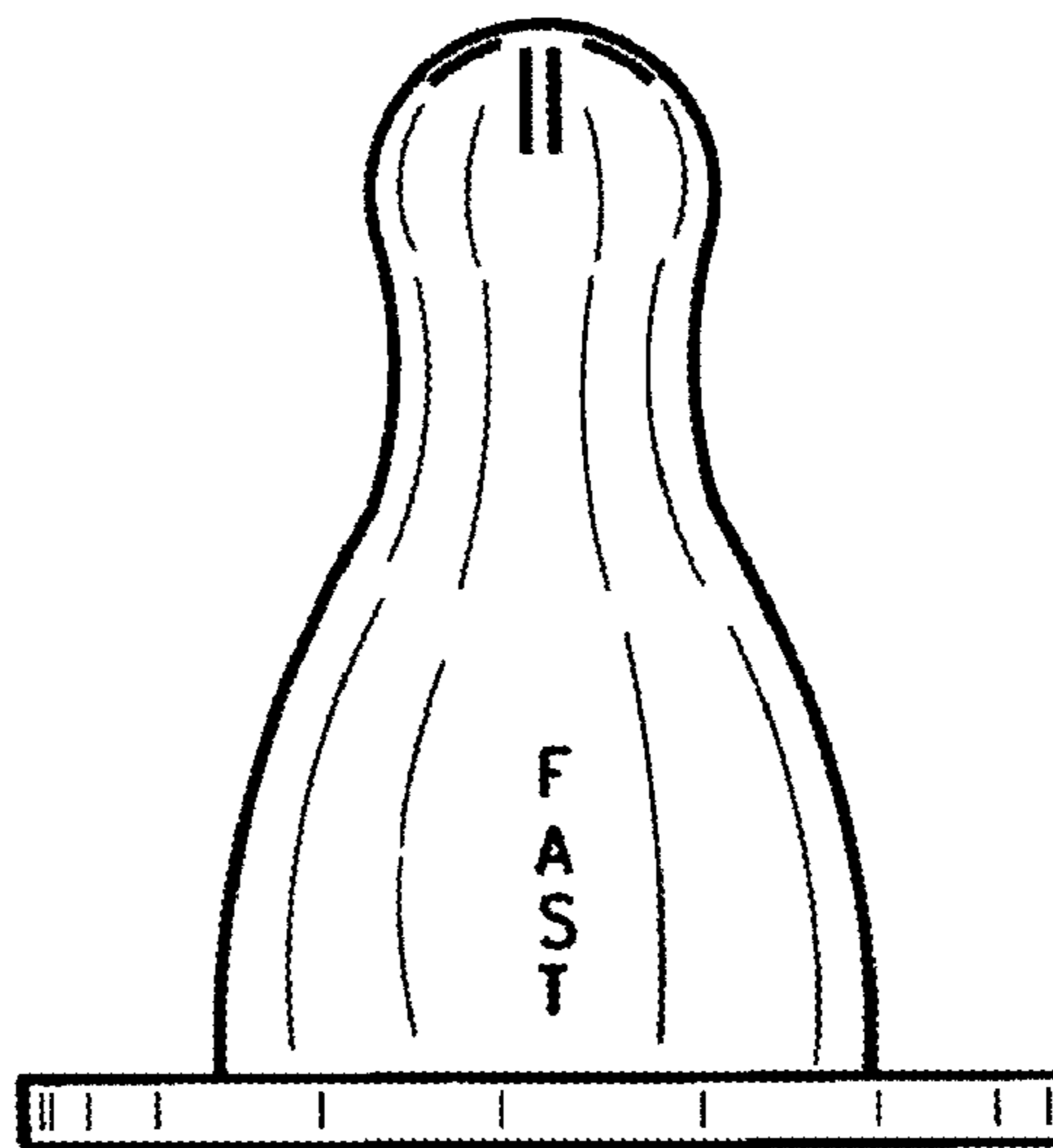
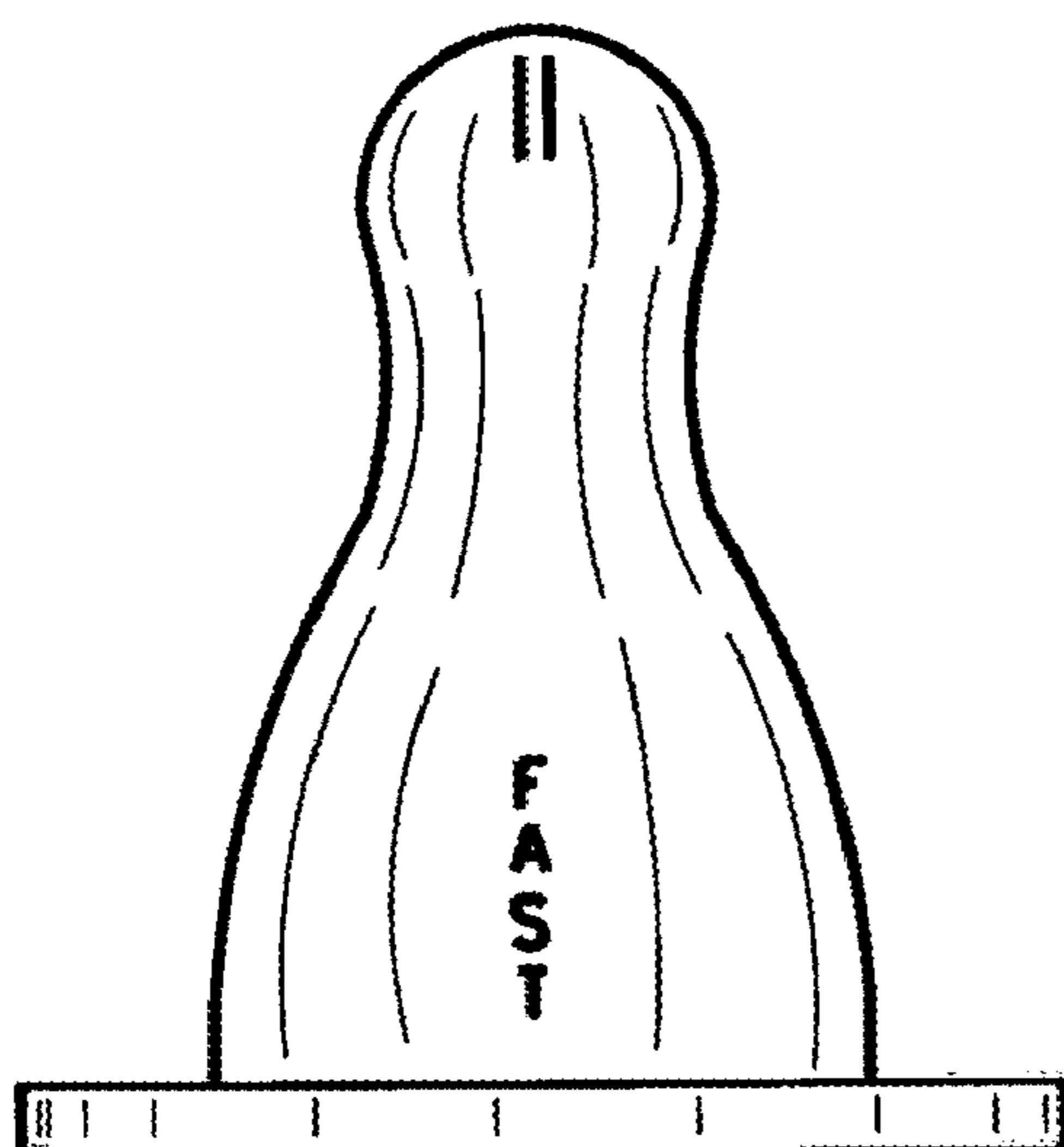
FIG. 1 is a top plan view of the first embodiment of a nipple
for baby bottle, shown enlarged for clarity of disclosure;
FIG. 2 is a front elevation view of the nipple for baby bottle
of FIG. 1;
FIG. 3 is a rear elevation view thereof;
FIG. 4 is a top plan view of the second embodiment of a
nipple for baby bottle, shown enlarged for clarity of disclo-
sure;
FIG. 5 is a front elevation view of the nipple for baby bottle
of FIG. 4;
FIG. 6 is a rear elevation view thereof;
FIG. 7 is a right side elevation view thereof; and,
FIG. 8 is a left side elevation view thereof.
In FIGS. 1 and 4, the dash-dot-dash perimeter lines sur-
rounding the nipple for baby bottle define the limits of the
enlarged portion shown. The dash-dot-dash lines form no
part of the claimed design.

(56) **References Cited**

U.S. PATENT DOCUMENTS

1,989,060 A 1/1935 Liddick
D102,213 S * 12/1936 Steckler D24/196
2,774,500 A 12/1956 Budiani
2,824,561 A 2/1958 Mueller

1 Claim, 3 Drawing Sheets



(56)

References Cited

U.S. PATENT DOCUMENTS

5,881,893 A * 3/1999 Manganiello A61J 11/02
215/11.1

D412,582 S 8/1999 Morano

6,080,186 A 6/2000 Pederson et al.

D444,239 S 6/2001 Kobayashi et al.

D459,815 S 7/2002 Pastucha

6,454,788 B1 9/2002 Ashton

6,588,613 B1 7/2003 Pechenik et al.

D481,462 S 10/2003 De La Paz

D486,579 S * 2/2004 Dunn D24/196

6,818,162 B1 * 11/2004 Hoffman A61J 11/001
156/155

6,883,672 B2 4/2005 Dunn et al.

6,984,688 B2 1/2006 Gu

7,029,491 B2 4/2006 Davis

D520,142 S * 5/2006 Mallet D24/196

7,234,607 B2 6/2007 Dunn et al.

7,540,388 B2 6/2009 Silver

D598,119 S 8/2009 Berman

7,712,617 B2 5/2010 Silver

D630,334 S * 1/2011 Paige D24/196

D725,787 S * 3/2015 Brown D24/194

2003/0083696 A1 5/2003 Avital

2003/0106872 A1 * 6/2003 Lin A61J 11/02
215/11.5

2004/0026351 A1 2/2004 Dunn et al.

2004/0055987 A1 * 3/2004 Paige A61J 7/0046
215/11.1

2005/0184022 A1 8/2005 Dunn et al.

2006/0011571 A1 1/2006 Silver

2007/0208379 A1 9/2007 Kessler et al.

2011/0006028 A1 1/2011 Caldwell

2012/0265245 A1 10/2012 Yamashita et al.

2013/0048591 A1 2/2013 Morrone

2014/0121702 A1 * 5/2014 Ezra A61J 17/00
606/234

2014/0224758 A1 * 8/2014 Wang A61J 11/02
215/11.5

2015/0290088 A1 * 10/2015 Farhi A61J 11/04
215/11.1

OTHER PUBLICATIONS

“Lifefactory Stage 3 Nipples, 6+ Months”. Found online Aug. 17, 2016 at amazon.com. Page dated May 22, 2010. Retrieved from https://www.amazon.com/Lifefactory-Medical-Grade-BPA-Free-Silicone-Nipples/dp/B002O3JH9Q/ref=cm_cr_arp_d_product_top?ie=UTF8.*

“Evenflo Feeding Classic + Vented Glass Bottles”. Found online Aug. 17, 2016 at toysrus.com. Page dated Jan. 28, 2014. Retrieved from <http://www.toysrus.com/buy/bottles-sizes-8-11-oz/evenflo-feeding-classic-glass-vented-8-ounce-bottle-3-pack-1028311-30639676>.*

“BabySport Water Bottle Nipple Adapter”. Found online May 27, 2015 at babysportonline.com. Page dated Jan. 3, 2007. Retrieved from <http://web.archive.org/web/20070103152429/http://www.babysportonline.com/>.*

“Dr. Brown’s Silicone Nipple—Level 1”, Found online Aug. 17, 2016 at diapers.com. Pg. date Nov. 1, 2006. Retrieved from <https://www.diapers.com/p/dr-browns-silicone-nipple-level-1-4941>.

“Lifefactory Stage3 Nipples, 6+Mths”. Online Aug. 17, 2016 amazon.com. Pg. date May 22, 2010. Retrieved from amazon.com/Lifefactory-Medical-Grade-BPA-free-silicone-nipples.

“Evenflo Feeding Classic+Vented Glass Bottles”. Online Aug. 17, 2016 at toysrus.com. Pg. date Jan. 28, 2014. Retrieve from toysrus.com/buy/bottles-sizes-8-11-oz/evenflo-feeding-classic-glass.

“Babysport Water Bottle Nipple Adaptor”. Online May 27, 2015 at babysportonline.com. Pg. date Jan. 3, 2007. Retrieve from web.archive.org/web/20070103152429.

* cited by examiner

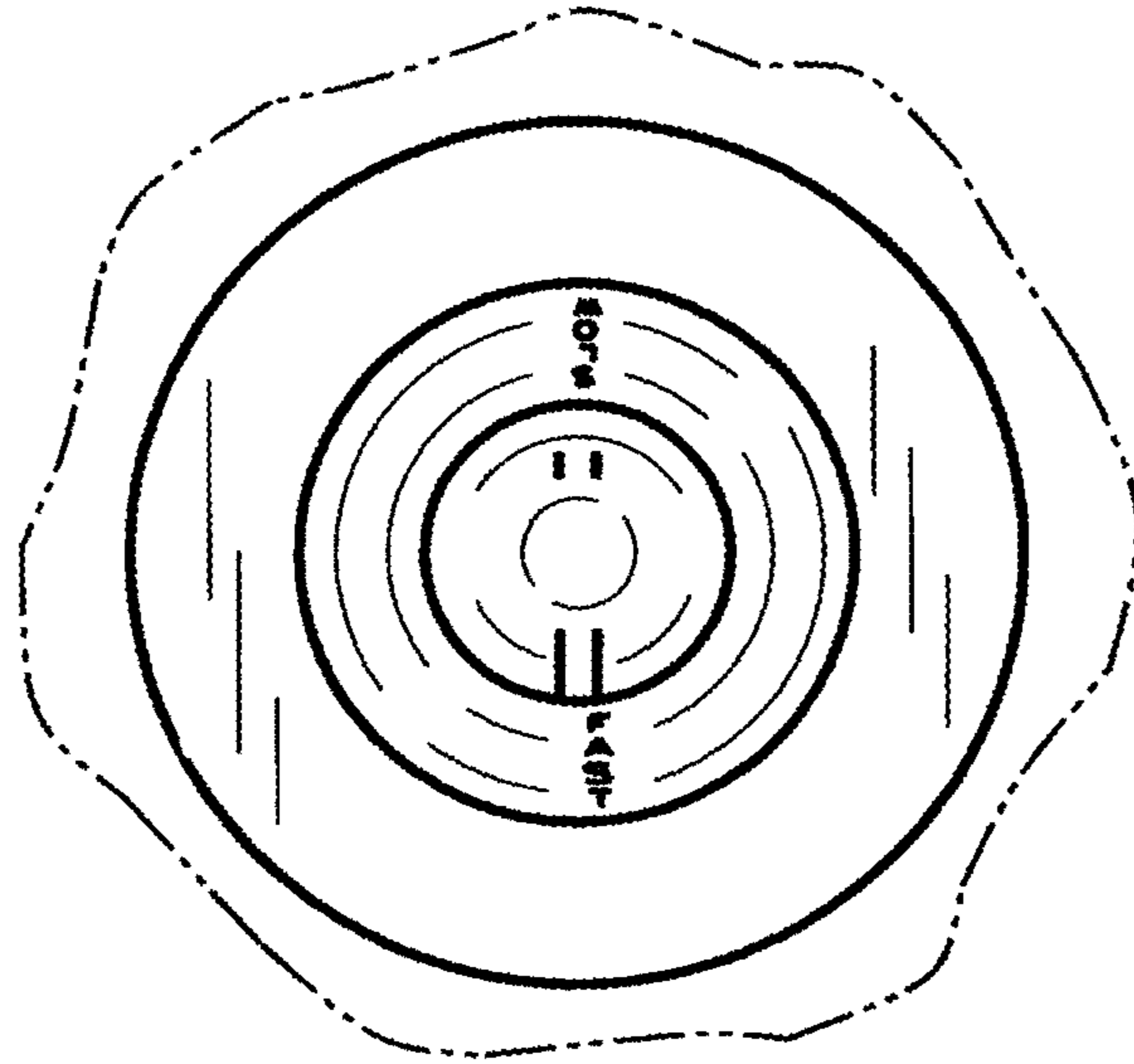


FIG. 1

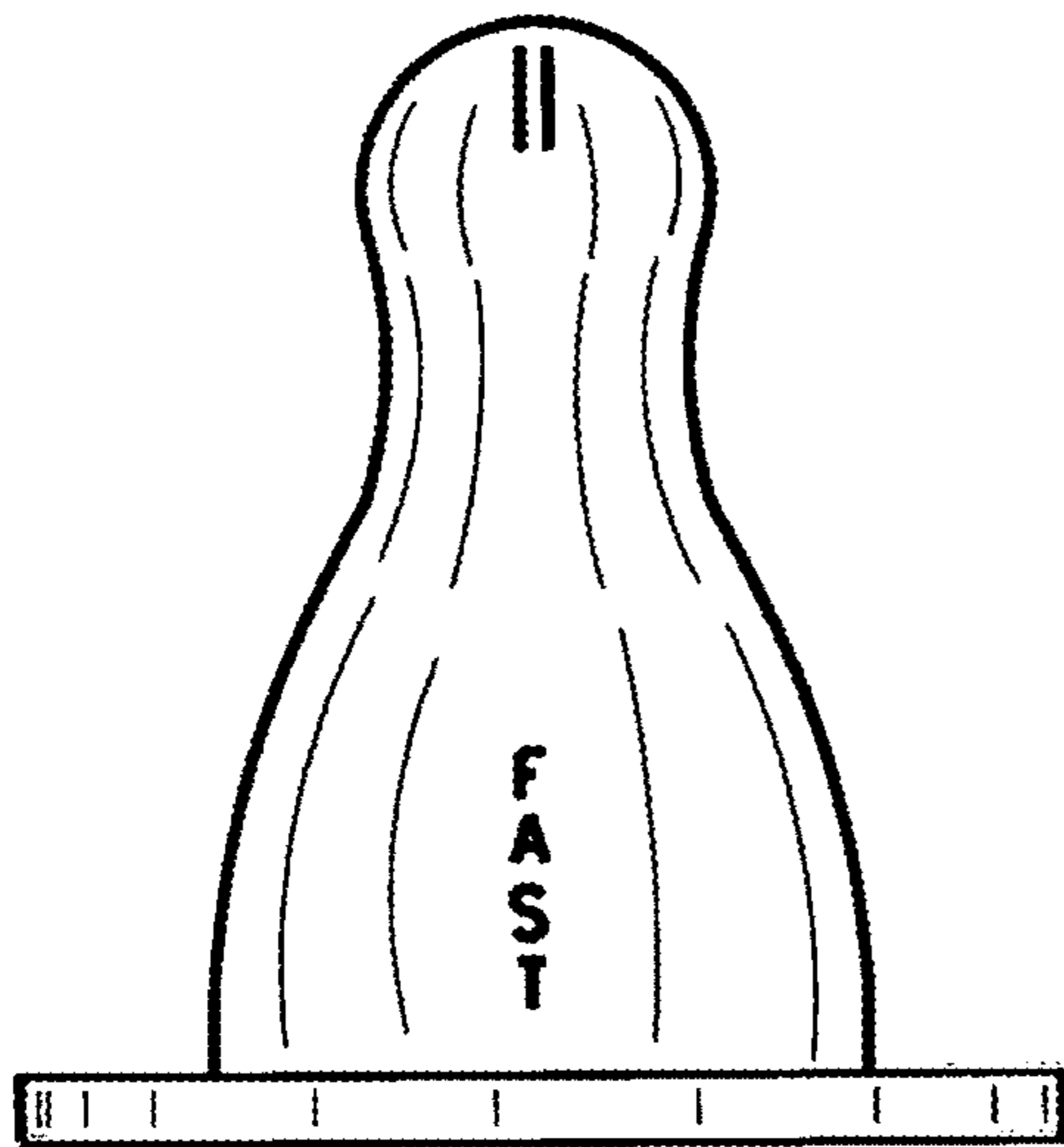


FIG. 2

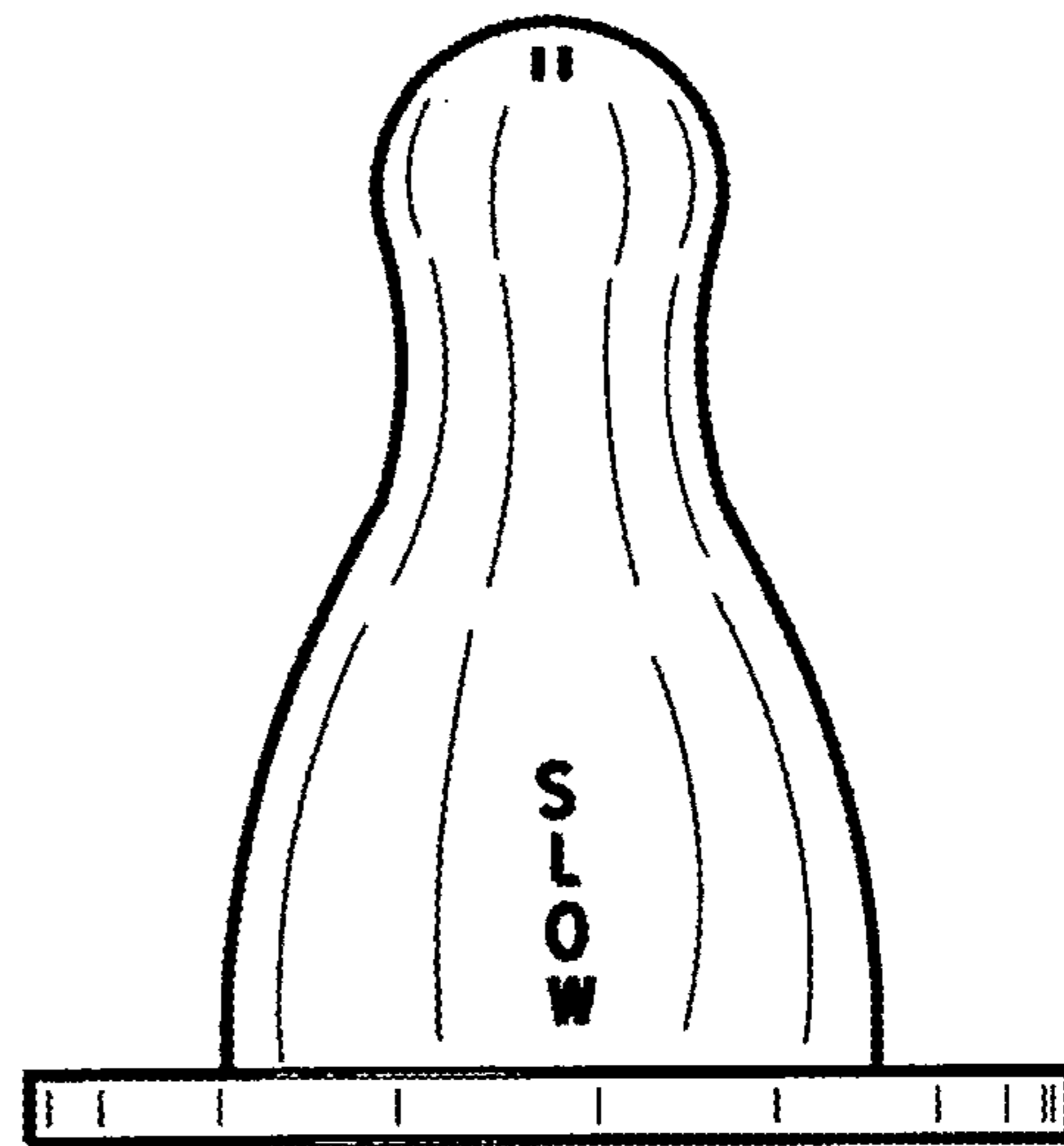


FIG. 3

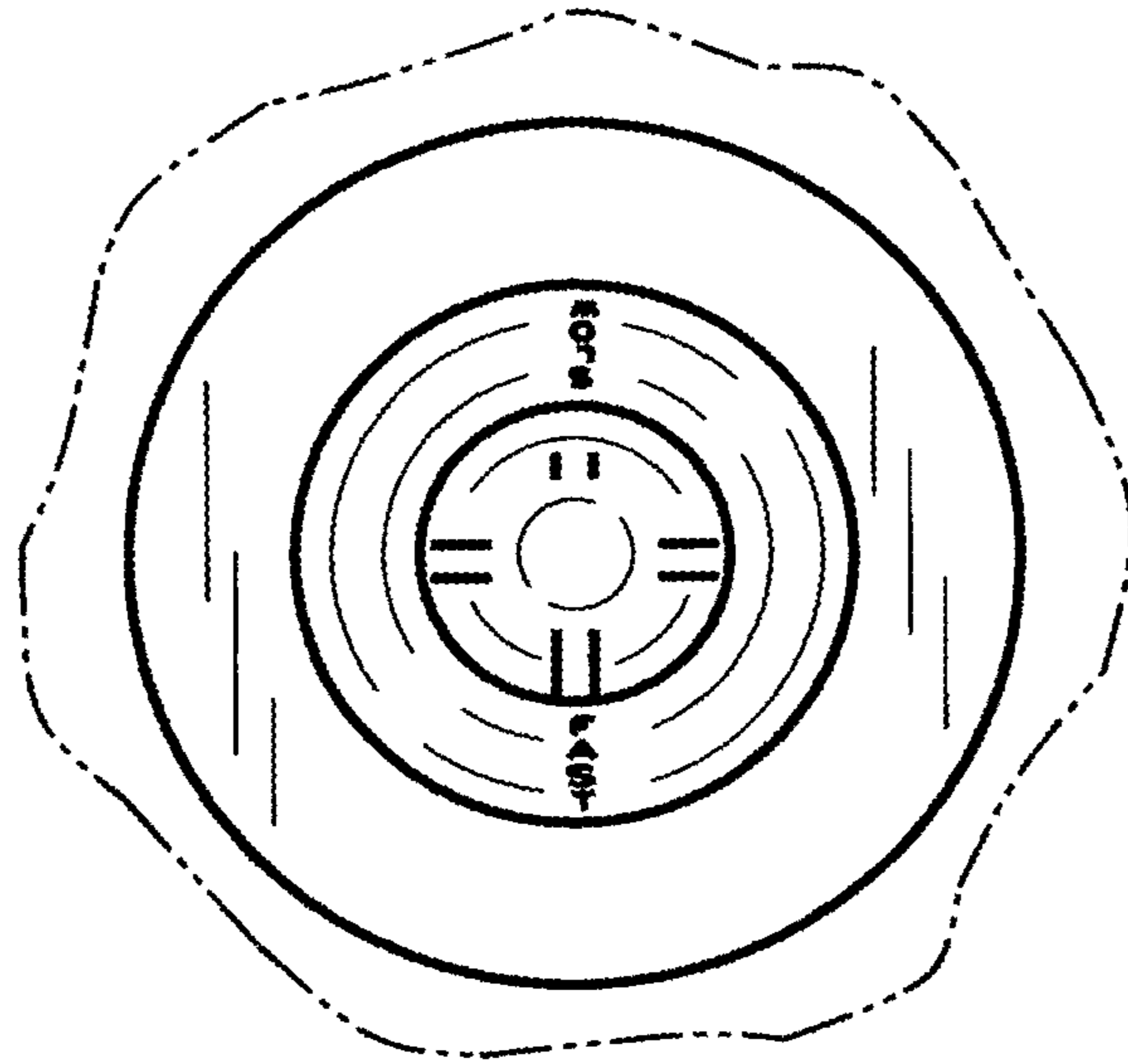


FIG. 4

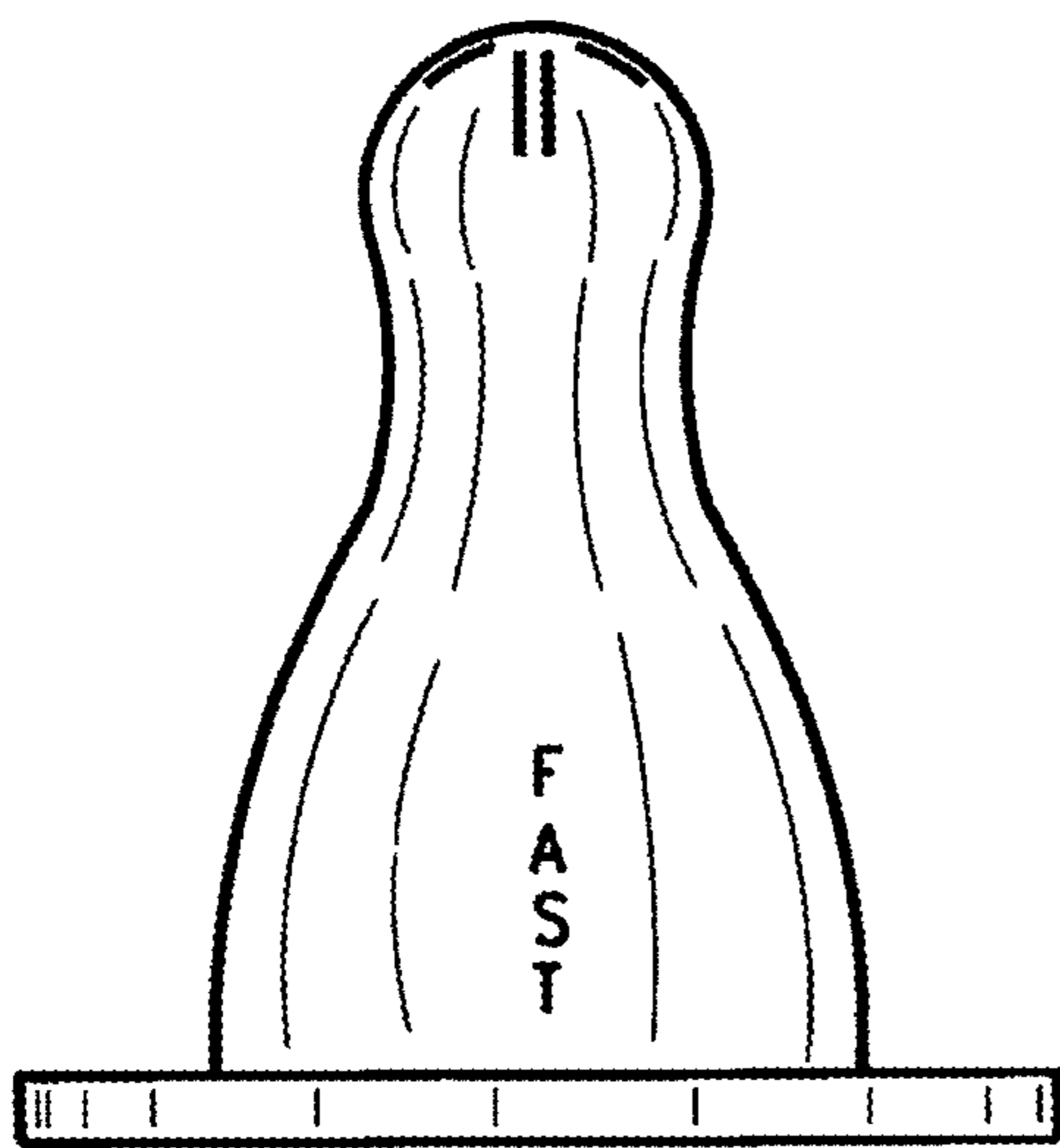


FIG. 5

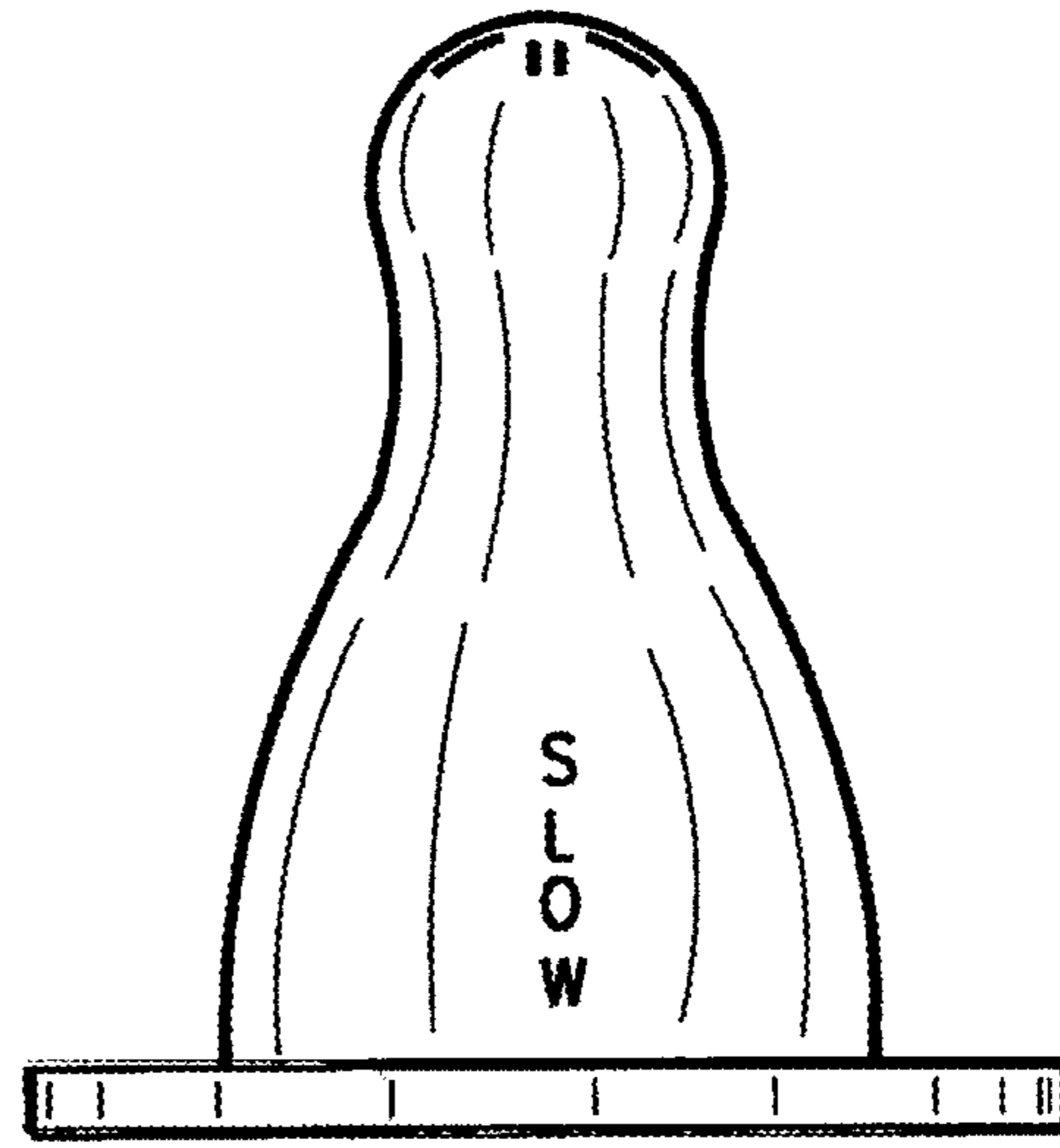


FIG. 6

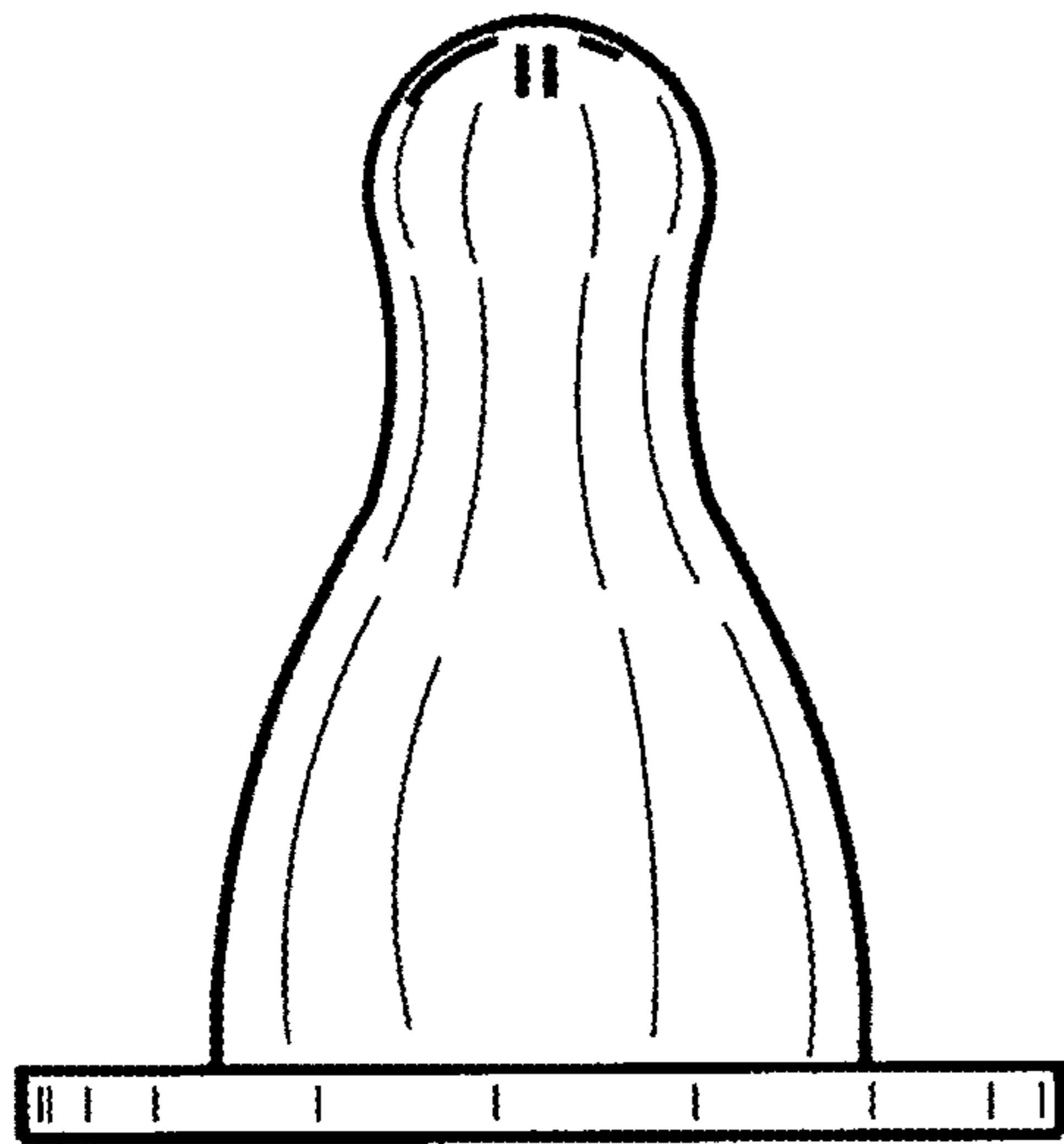


FIG. 7

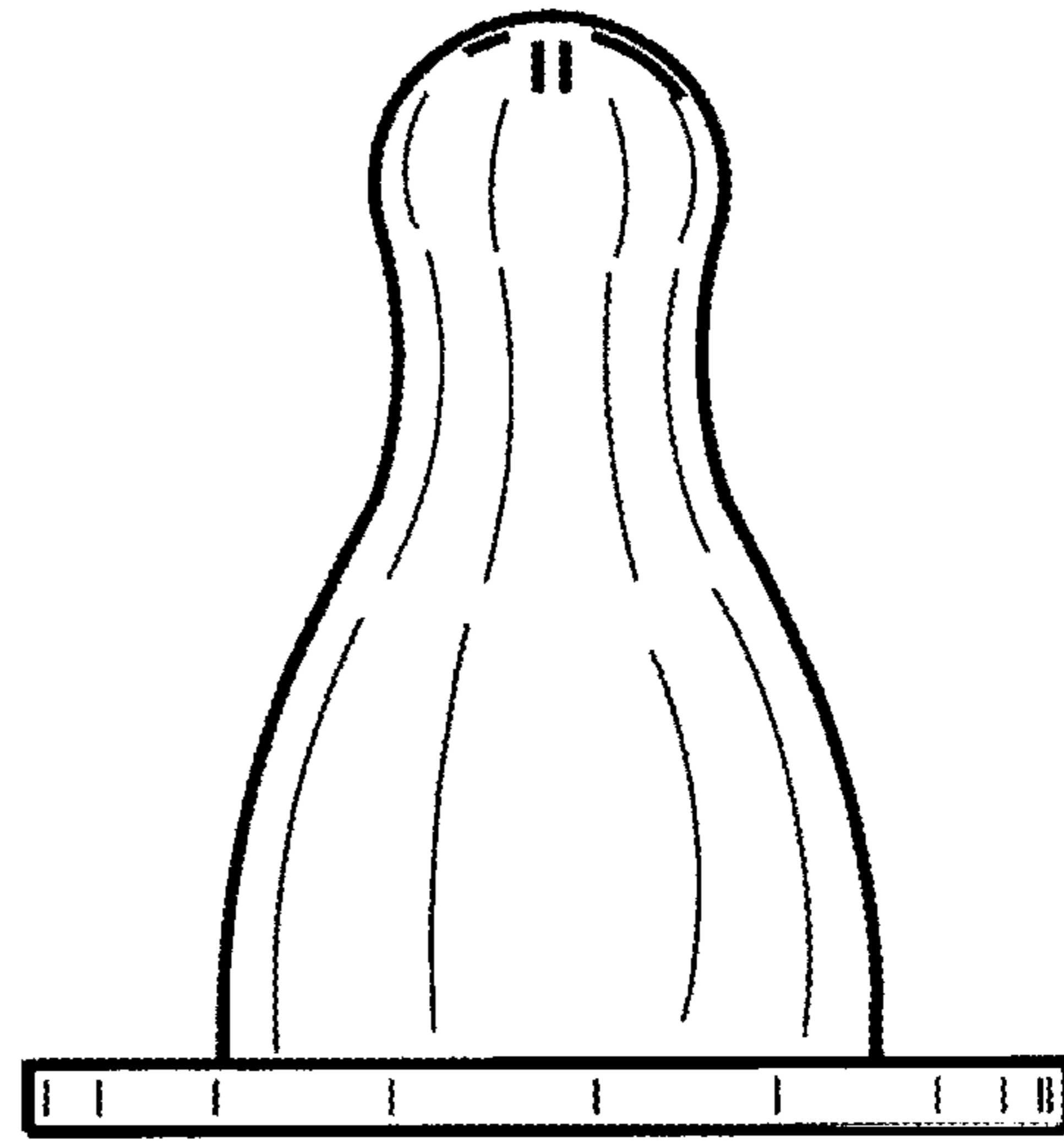


FIG. 8