



US00D874663S

(12) **United States Design Patent**  
**Eppele, II**

(10) **Patent No.:** **US D874,663 S**

(45) **Date of Patent:** **\*\* Feb. 4, 2020**

(54) **WRIST BRACE**

(71) Applicant: **Robert J. Eppele, II**, Long Beach, CA  
(US)

(72) Inventor: **Robert J. Eppele, II**, Long Beach, CA  
(US)

(\*\*) Term: **15 Years**

(21) Appl. No.: **29/681,859**

(22) Filed: **Feb. 28, 2019**

**Related U.S. Application Data**

(62) Division of application No. 29/597,735, filed on Mar. 20, 2017, now Pat. No. Des. 857,213.

(51) **LOC (12) Cl.** ..... **24-04**

(52) **U.S. Cl.**  
USPC ..... **D24/190**

(58) **Field of Classification Search**  
USPC ..... D24/188, 190-192; D8/354  
See application file for complete search history.

(56) **References Cited**

**U.S. PATENT DOCUMENTS**

- D362,914 S \* 10/1995 Mann ..... D24/190
- D528,659 S \* 9/2006 Cherfas ..... D24/105
- D530,820 S \* 10/2006 Muehlenberend ..... D24/190
- D536,796 S \* 2/2007 Hargrave ..... D24/190

- D573,714 S \* 7/2008 Bybee ..... D24/190
- D582,258 S \* 12/2008 Ripley ..... D8/354
- D665,088 S \* 8/2012 Joseph ..... D24/190
- D674,477 S \* 1/2013 Beresford-Wylie ..... D24/105
- D709,615 S \* 7/2014 Ruel ..... D24/192
- D757,277 S \* 5/2016 Chen ..... D24/190
- D790,716 S \* 6/2017 Hinds ..... D24/190
- D835,792 S \* 12/2018 Erwin ..... D24/190
- 2018/0055672 A1 \* 3/2018 Erwin ..... A61F 5/0118

\* cited by examiner

*Primary Examiner* — Jennifer L Watkins

(74) *Attorney, Agent, or Firm* — Dunlap Bennett & Ludwig PLLC

(57) **CLAIM**

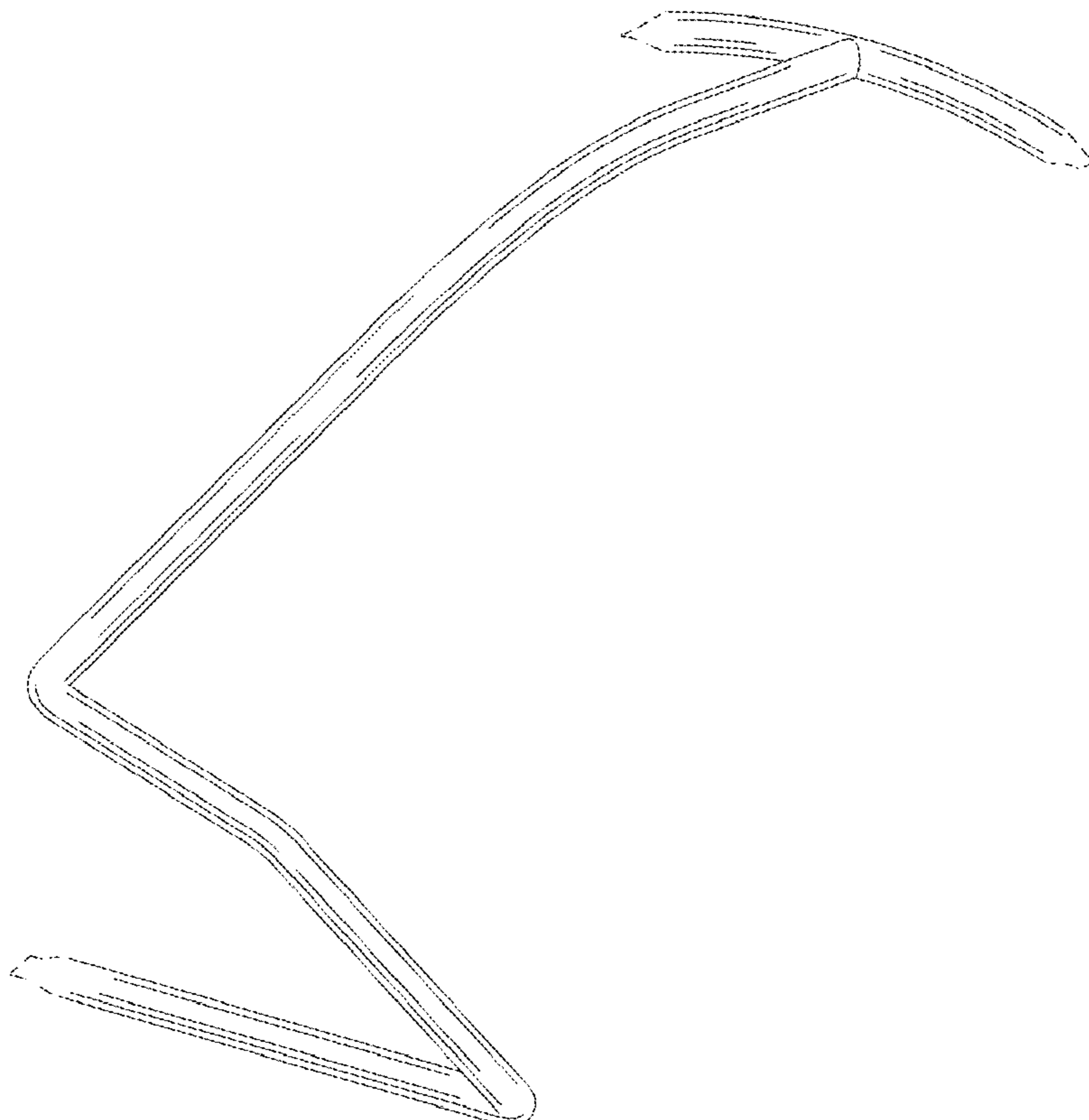
The ornamental design for a wrist brace, as shown and described.

**DESCRIPTION**

FIG. 1 is a top front perspective view of a wrist brace, showing my new design;  
 FIG. 2 is a front elevation view thereof;  
 FIG. 3 is a rear elevation view thereof;  
 FIG. 4 is a right-side elevation view thereof;  
 FIG. 5 is a left-side elevation view thereof;  
 FIG. 6 is a top plan view thereof; and,  
 FIG. 7 is a bottom plan view thereof.

The broken lines shown in the drawings depict portions of the wrist brace that form no part of the claimed design.

**1 Claim, 3 Drawing Sheets**



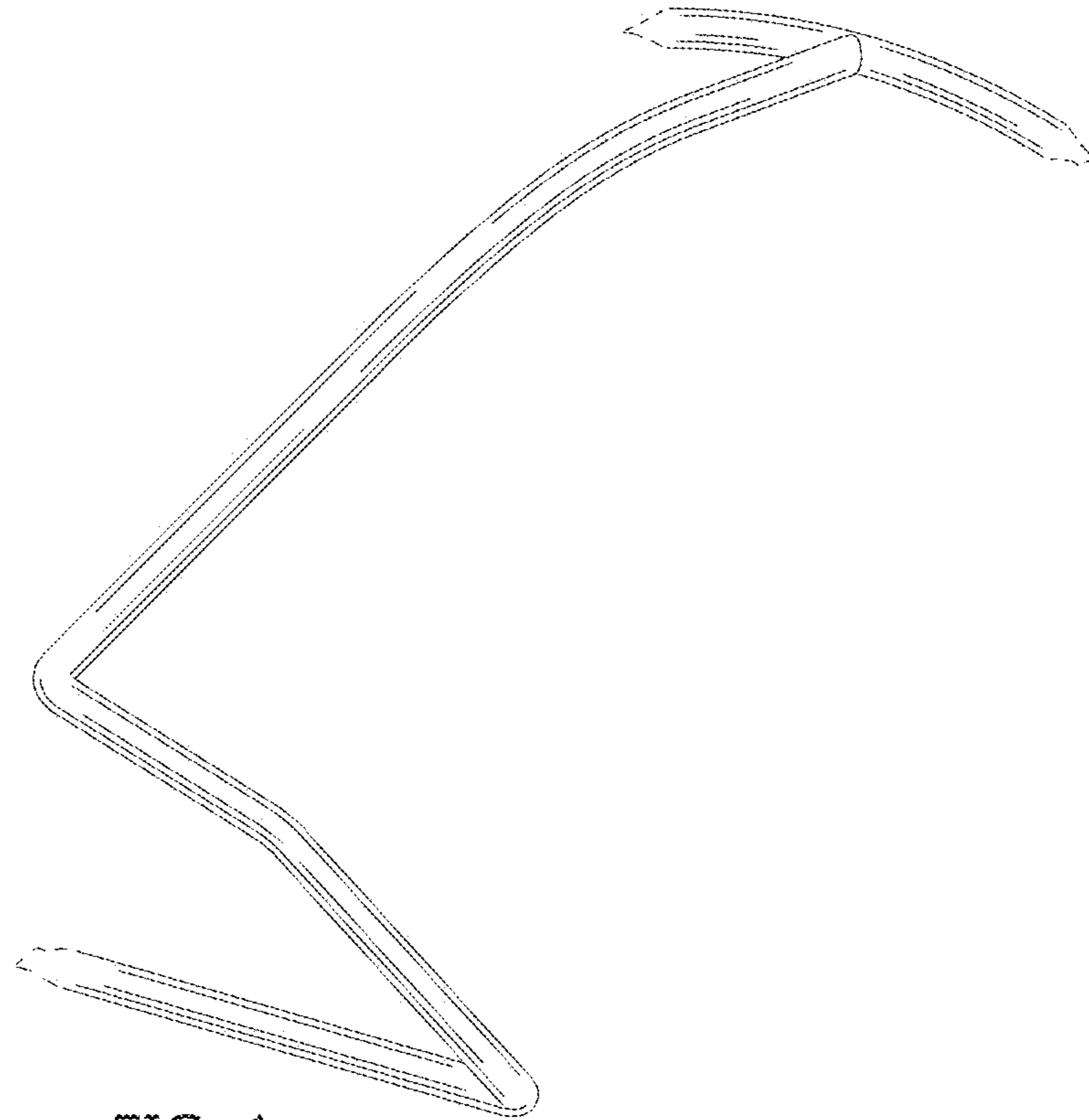


FIG. 1

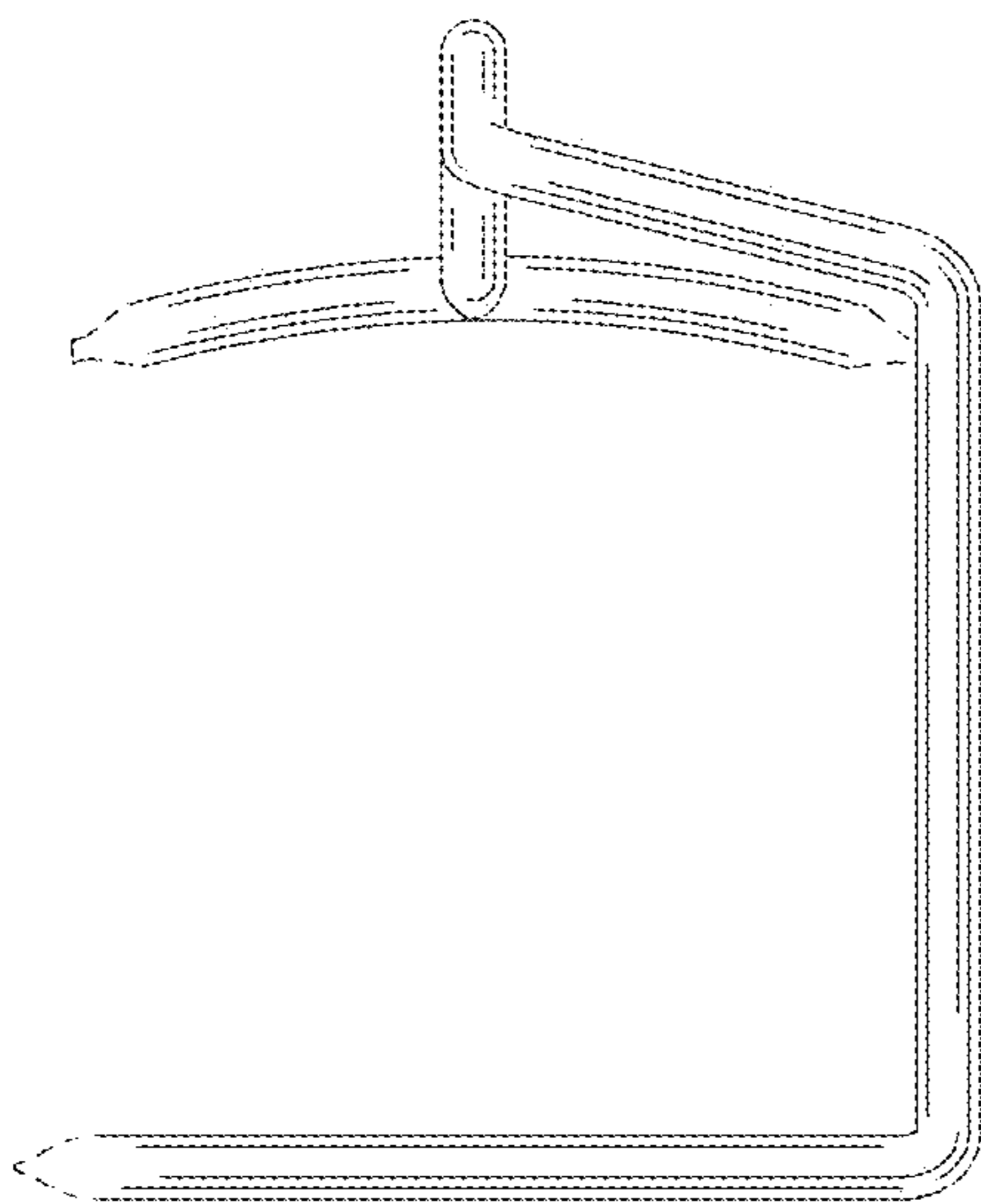


FIG. 2

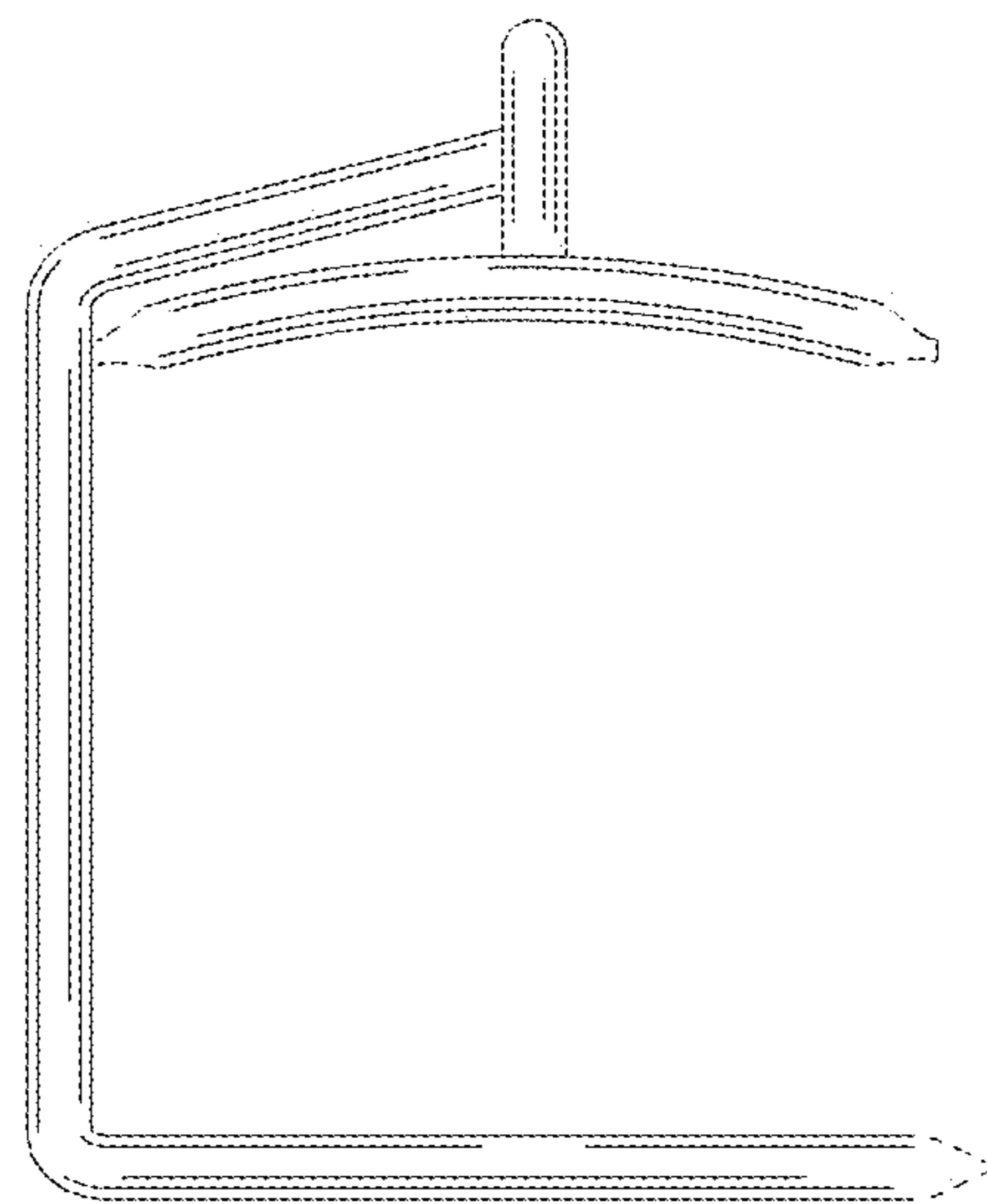


FIG. 3

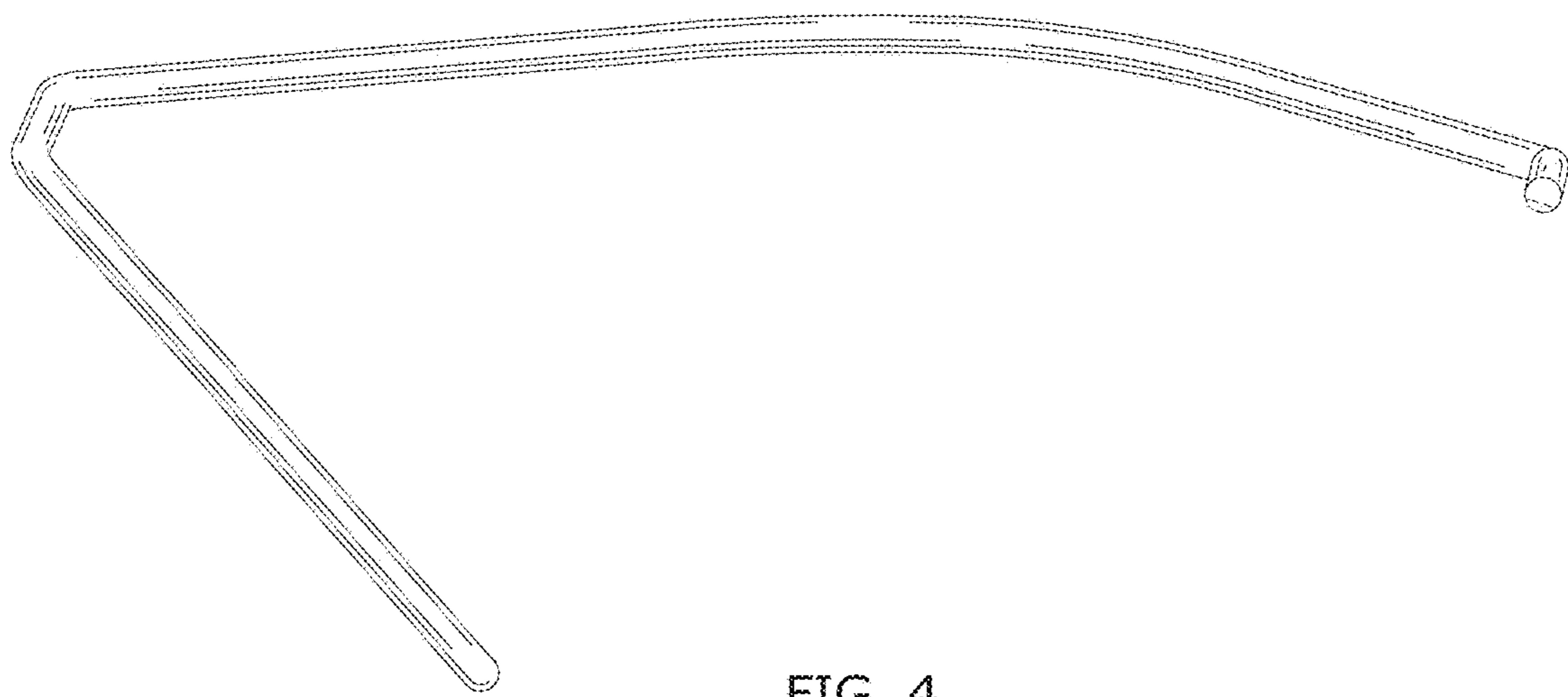


FIG. 4

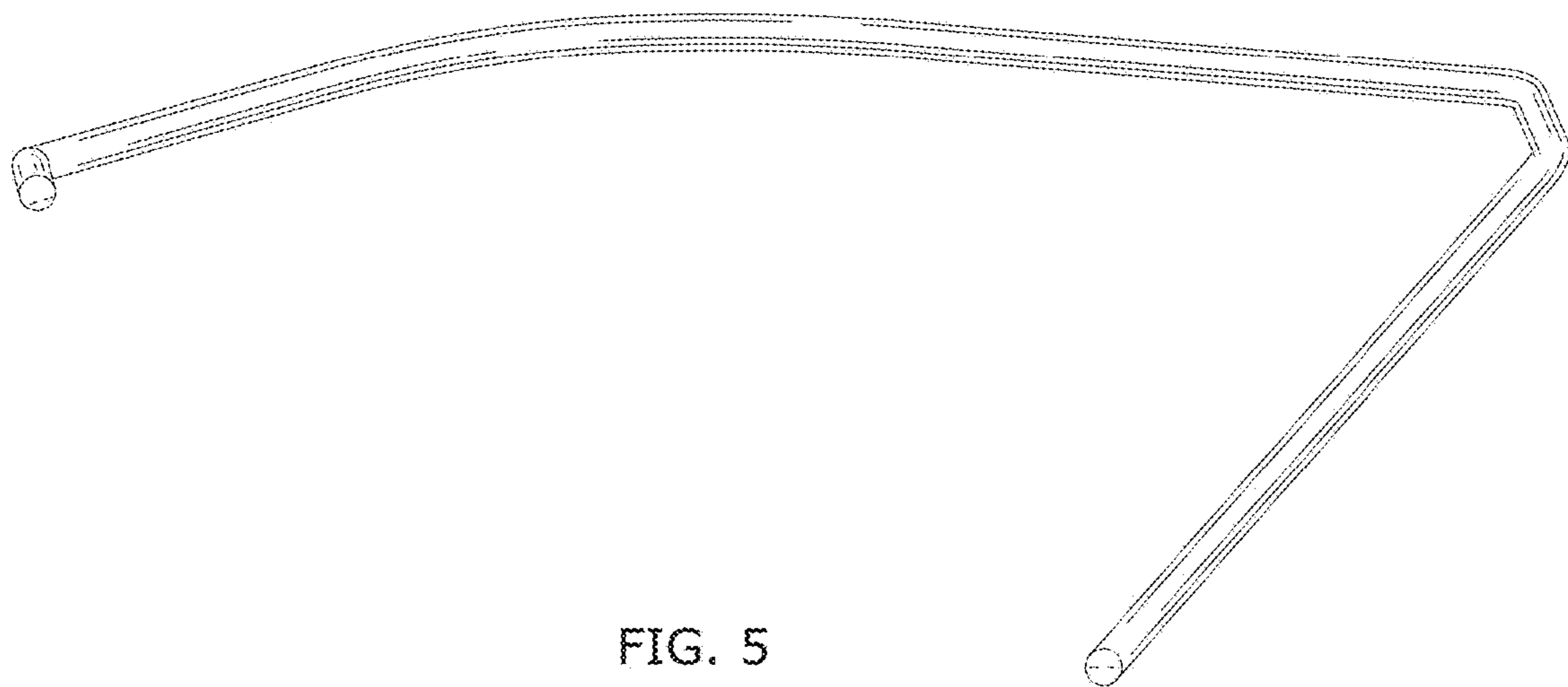


FIG. 5

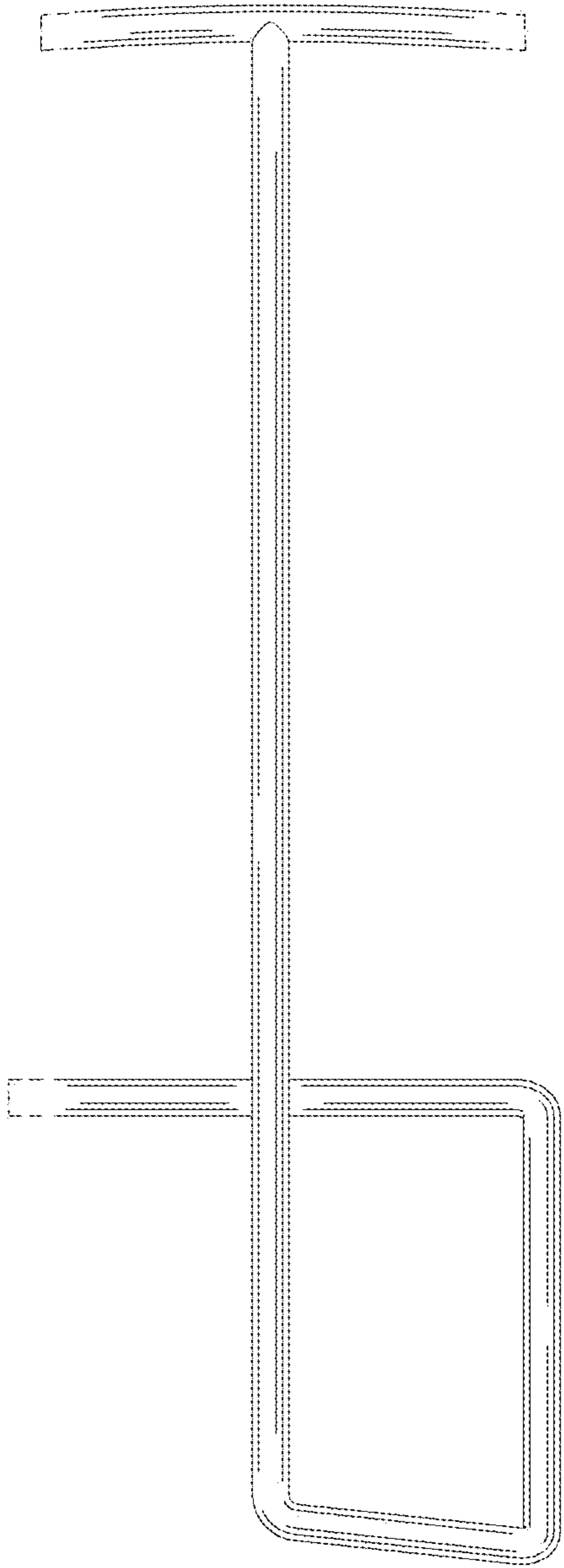


FIG. 6

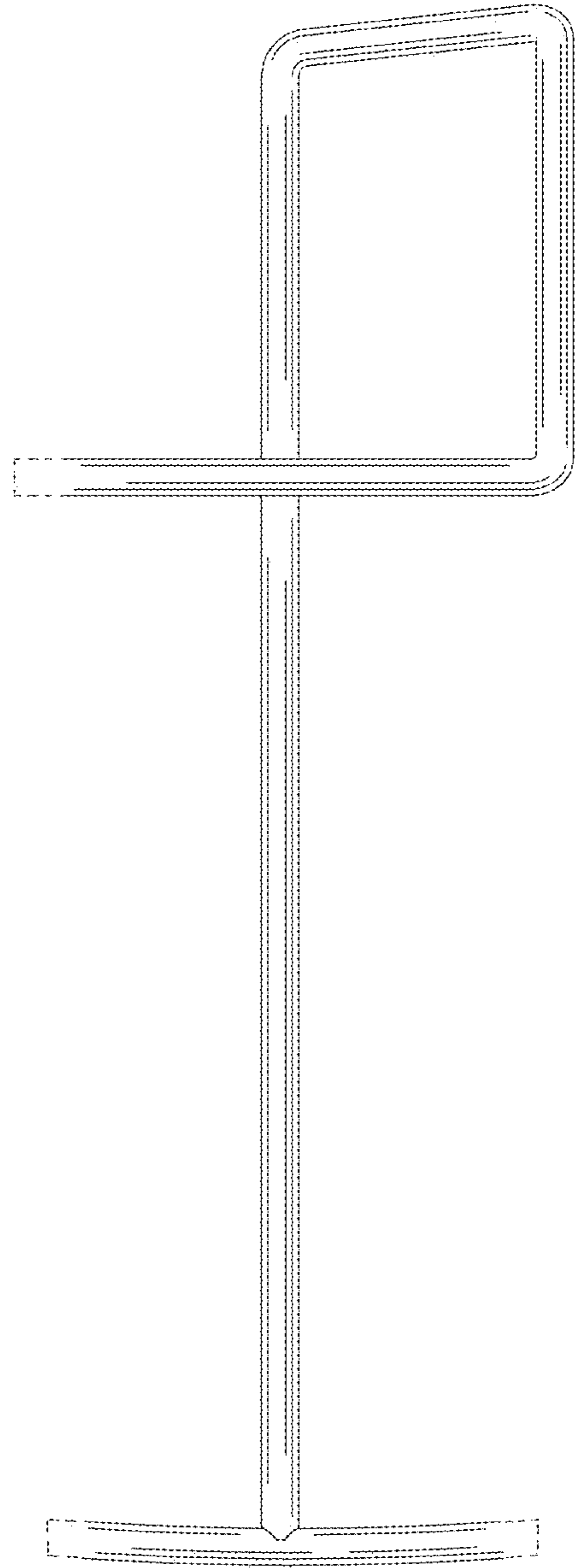


FIG. 7