



US00D874661S

(12) **United States Design Patent** (10) **Patent No.:** **US D874,661 S**  
**Theriot et al.** (45) **Date of Patent:** **\*\* Feb. 4, 2020**

(54) **PRESSURE CUFF**

(71) Applicants: **Trevor James Theriot**, Las Vegas, NV (US); **John Nigel Lasso**, Laguna Hills, CA (US)

(72) Inventors: **Trevor James Theriot**, Las Vegas, NV (US); **John Nigel Lasso**, Laguna Hills, CA (US)

(\*\*) Term: **15 Years**

(21) Appl. No.: **29/656,893**

(22) Filed: **Jul. 17, 2018**

**Related U.S. Application Data**

(63) Continuation of application No. 14/822,978, filed on Aug. 11, 2015, now Pat. No. 10,166,166.

(51) **LOC (12) Cl.** ..... **24-01**

(52) **U.S. Cl.**  
USPC ..... **D24/190**

(58) **Field of Classification Search**  
USPC ..... D24/190-192; D29/100-102; D21/805, D21/683  
CPC .. A61F 5/028; A61F 5/03; A61F 5/024; A61F 5/0193; A61F 5/02; A61F 5/026; A61F 5/0118; A61F 5/022; A61F 5/30; A61F 7/02; A61F 2007/0001; A61F 5/0106; A61F 5/055; A61F 2250/001

See application file for complete search history.

(56) **References Cited**

**U.S. PATENT DOCUMENTS**

D517,215	S	*	3/2006	Cheney	.....	D24/190
D607,572	S	*	1/2010	Jang	.....	D24/190
9,125,787	B2	*	9/2015	Malhi	.....	A61H 9/0078
D777,333	S	*	1/2017	Souney	.....	D24/190
D777,334	S	*	1/2017	Souney	.....	D24/190
D831,220	S	*	10/2018	Chase	.....	D24/189
D833,629	S	*	11/2018	Chang	.....	D24/190
2004/0039317	A1	*	2/2004	Souney	.....	A61H 9/0078 602/13
2011/0004132	A1	*	1/2011	Cook	.....	A61H 9/0078 601/152
2014/0316314	A1	*	10/2014	Schubert	.....	A61H 9/0078 601/149

\* cited by examiner

*Primary Examiner* — Jennifer L Watkins

(74) *Attorney, Agent, or Firm* — Ted Masters

(57) **CLAIM**

The ornamental design for a pressure cuff, as shown and described.

**DESCRIPTION**

FIG. 1 is a front elevation view of the pressure cuff; and, FIG. 2 is a perspective view of the pressure cuff with the pressure cuff wrapped around the limb of the patient. In FIG. 2, the broken lines showing the limb of the patient are for the purpose of depicting environment and form no part of the claim.

**1 Claim, 1 Drawing Sheet**

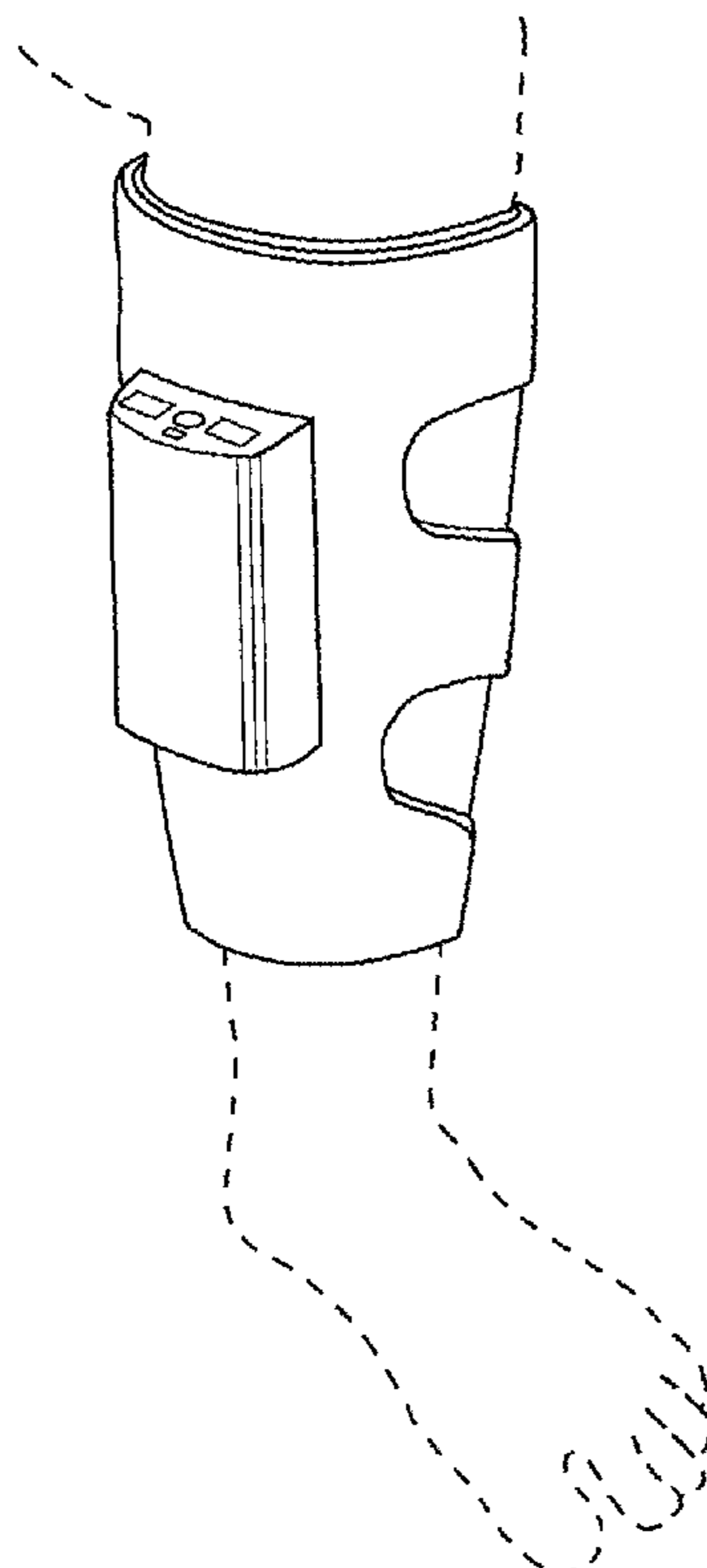


FIG. 1

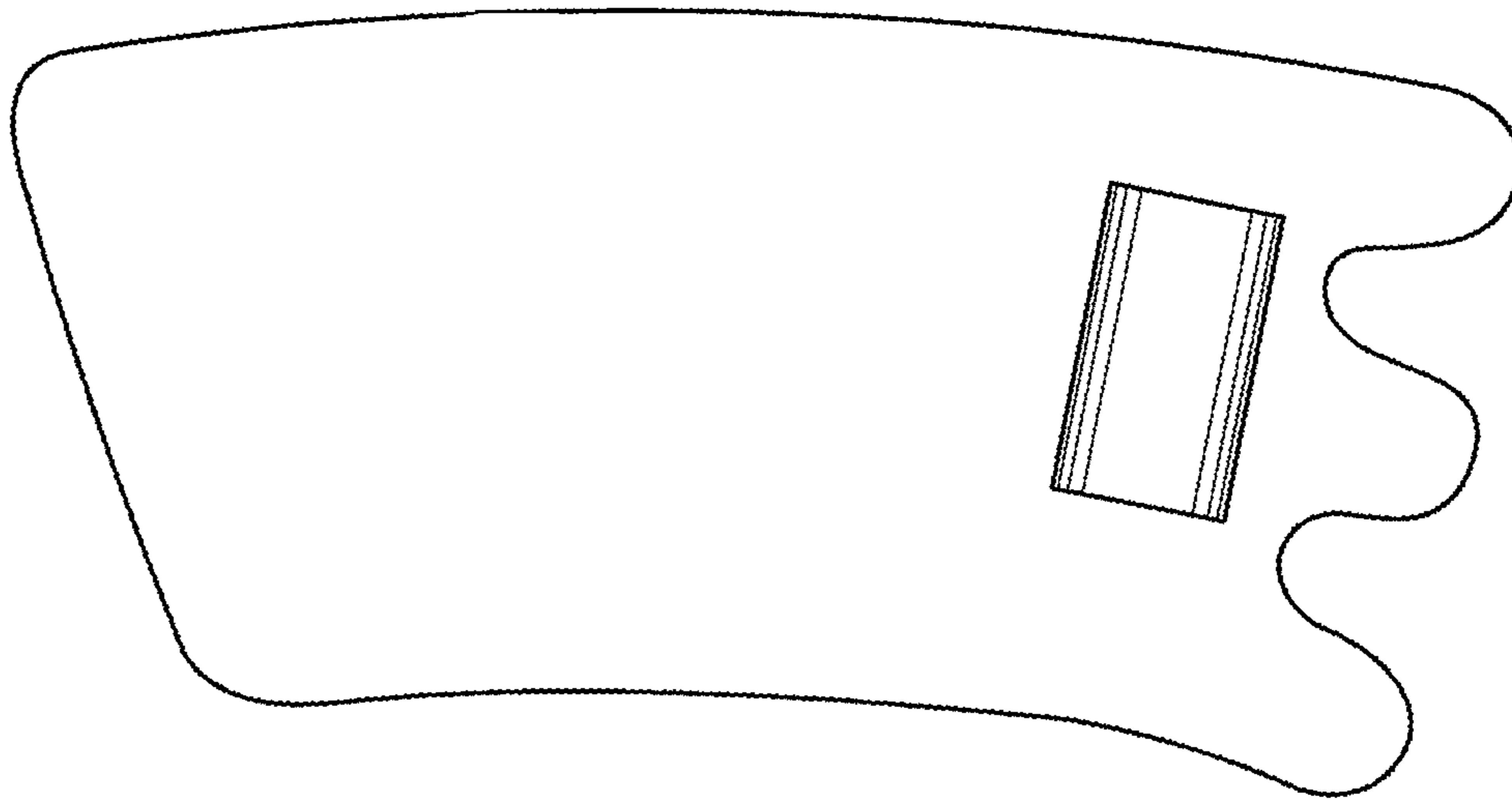


FIG. 2

