



US00D874658S

(12) **United States Design Patent**  
**Faure**

(10) **Patent No.:** **US D874,658 S**

(45) **Date of Patent:** **\*\* Feb. 4, 2020**

(54) **ROLL-STAND**

(71) Applicant: **ECHOSENS**, Paris (FR)

(72) Inventor: **Romain Faure**, Ivry sur Seine (FR)

(73) Assignee: **ECHOSENS**, Paris (FR)

(\*\*) Term: **15 Years**

(21) Appl. No.: **29/648,382**

(22) Filed: **May 21, 2018**

(30) **Foreign Application Priority Data**

Nov. 27, 2017 (EM) ..... 004523926

(51) **LOC (12) Cl.** ..... **24-02**

(52) **U.S. Cl.**  
USPC ..... **D24/185**

(58) **Field of Classification Search**  
USPC ..... D24/185, 164, 160, 158, 167; D34/14,  
D34/12  
CPC ..... B62B 3/10; A61B 6/481  
See application file for complete search history.

(56) **References Cited**

**U.S. PATENT DOCUMENTS**

4,006,736 A \* 2/1977 Kranys ..... A61B 6/481  
600/432  
6,497,423 B1 \* 12/2002 Perelli ..... B62B 3/10  
280/47.34

D481,188 S \* 10/2003 DiGiacomo, Jr. .... D34/12  
D536,151 S \* 1/2007 Rossini ..... D34/12  
D616,551 S \* 5/2010 Fallon ..... D24/185  
D619,264 S \* 7/2010 Livengood ..... D24/185  
D637,782 S \* 5/2011 Steffens ..... D34/14  
D645,630 S \* 9/2011 Steffens ..... D34/14  
D787,073 S \* 5/2017 Livengood ..... D24/185  
D803,408 S \* 11/2017 Black ..... D24/185  
D803,409 S \* 11/2017 Black ..... D24/185  
D804,040 S \* 11/2017 Black ..... D24/185

\* cited by examiner

*Primary Examiner* — Rhea Shields

(74) *Attorney, Agent, or Firm* — Fox Rothschild LLP

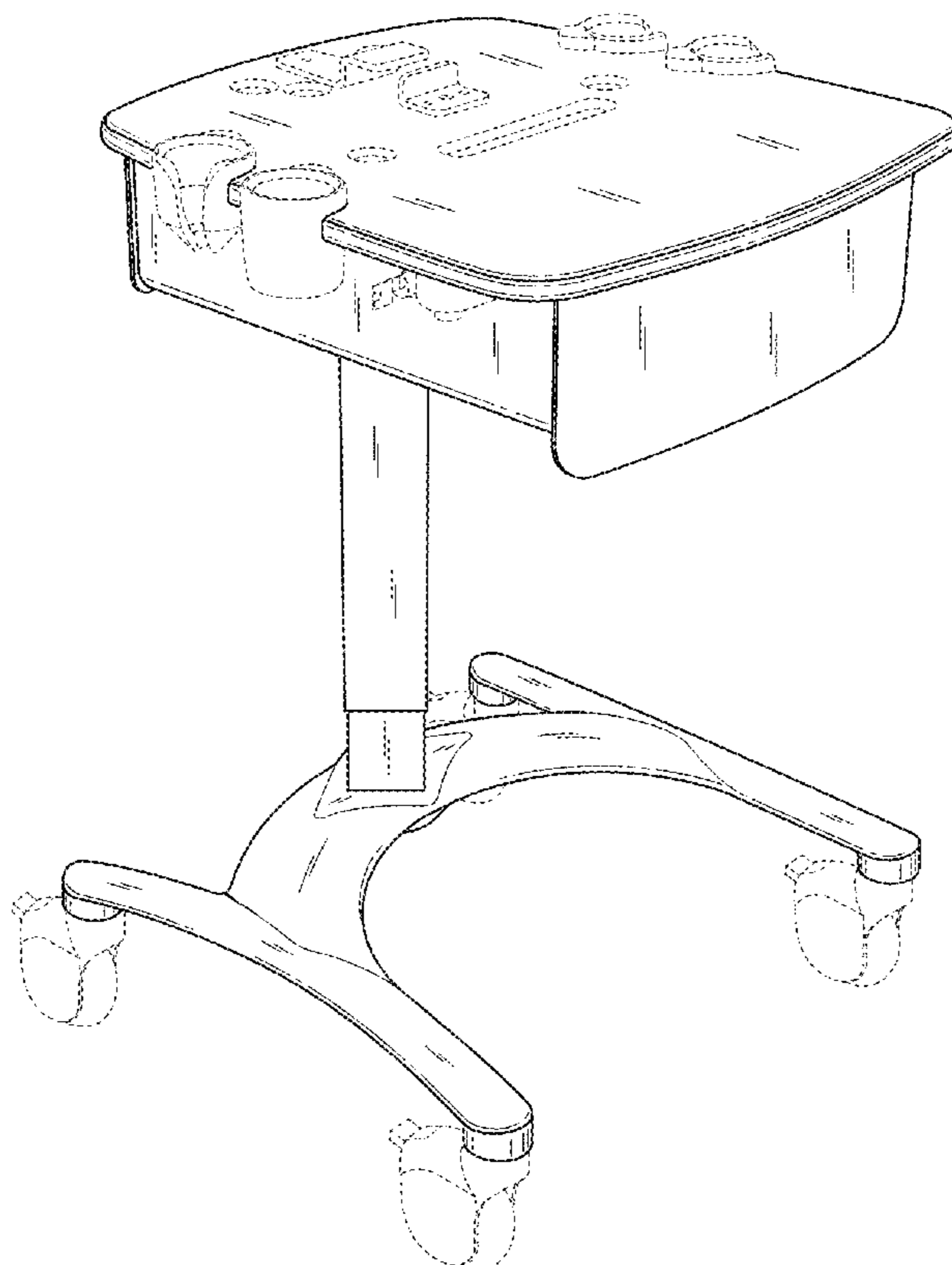
(57) **CLAIM**

The ornamental design for roll stand, as shown and described.

**DESCRIPTION**

FIG. 1 is a perspective view of the roll stand showing my new design;  
FIG. 2 is a front view thereof;  
FIG. 3 is a rear view thereof;  
FIG. 4 is a left side view thereof;  
FIG. 5 is a right side view thereof;  
FIG. 6 is a top view thereof; and,  
FIG. 7 is a bottom view thereof.  
In the drawings, the broken lines are for the purpose of illustrating environment only and form no part of the claimed design.

**1 Claim, 7 Drawing Sheets**



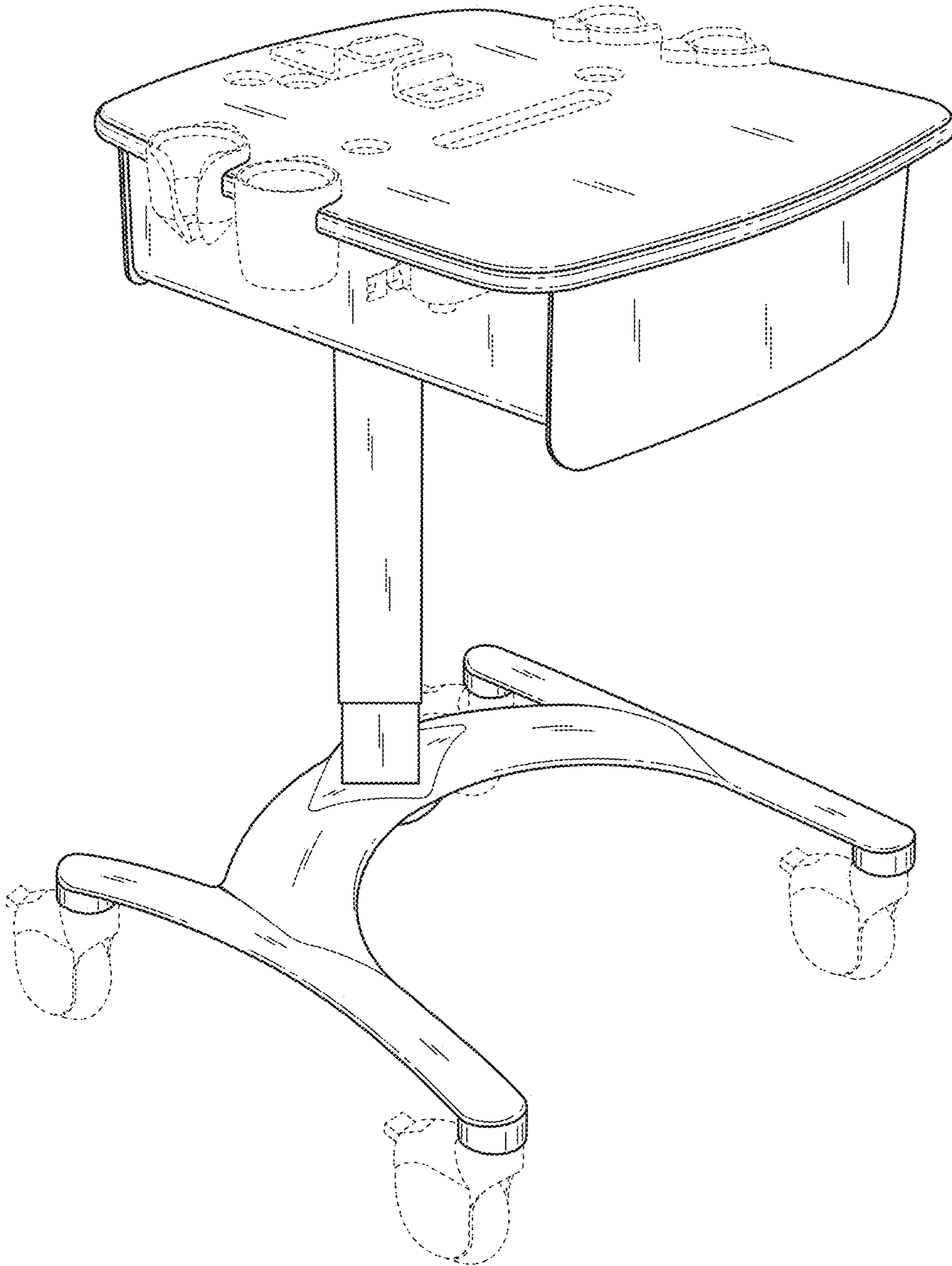


Fig. 1

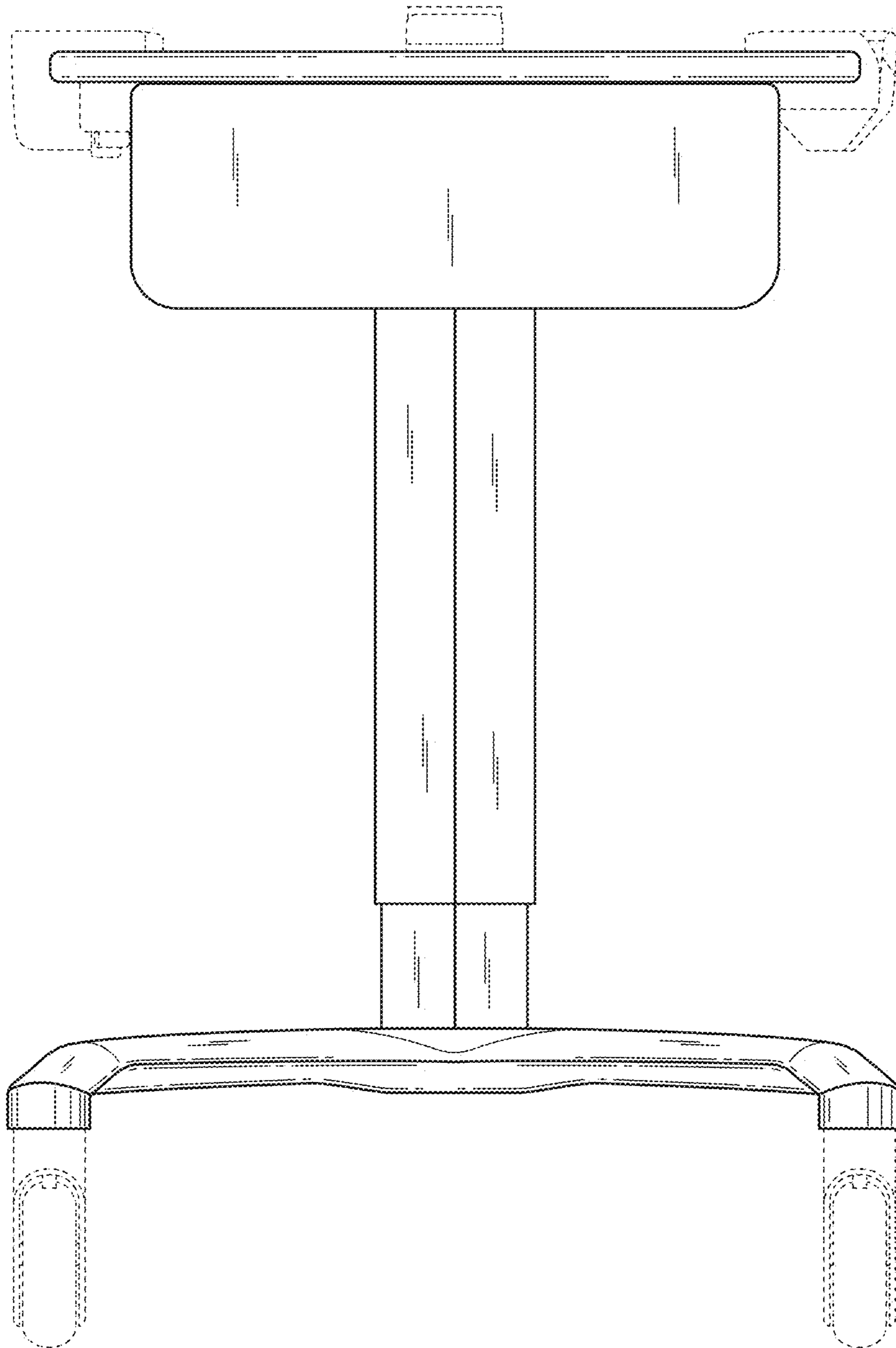
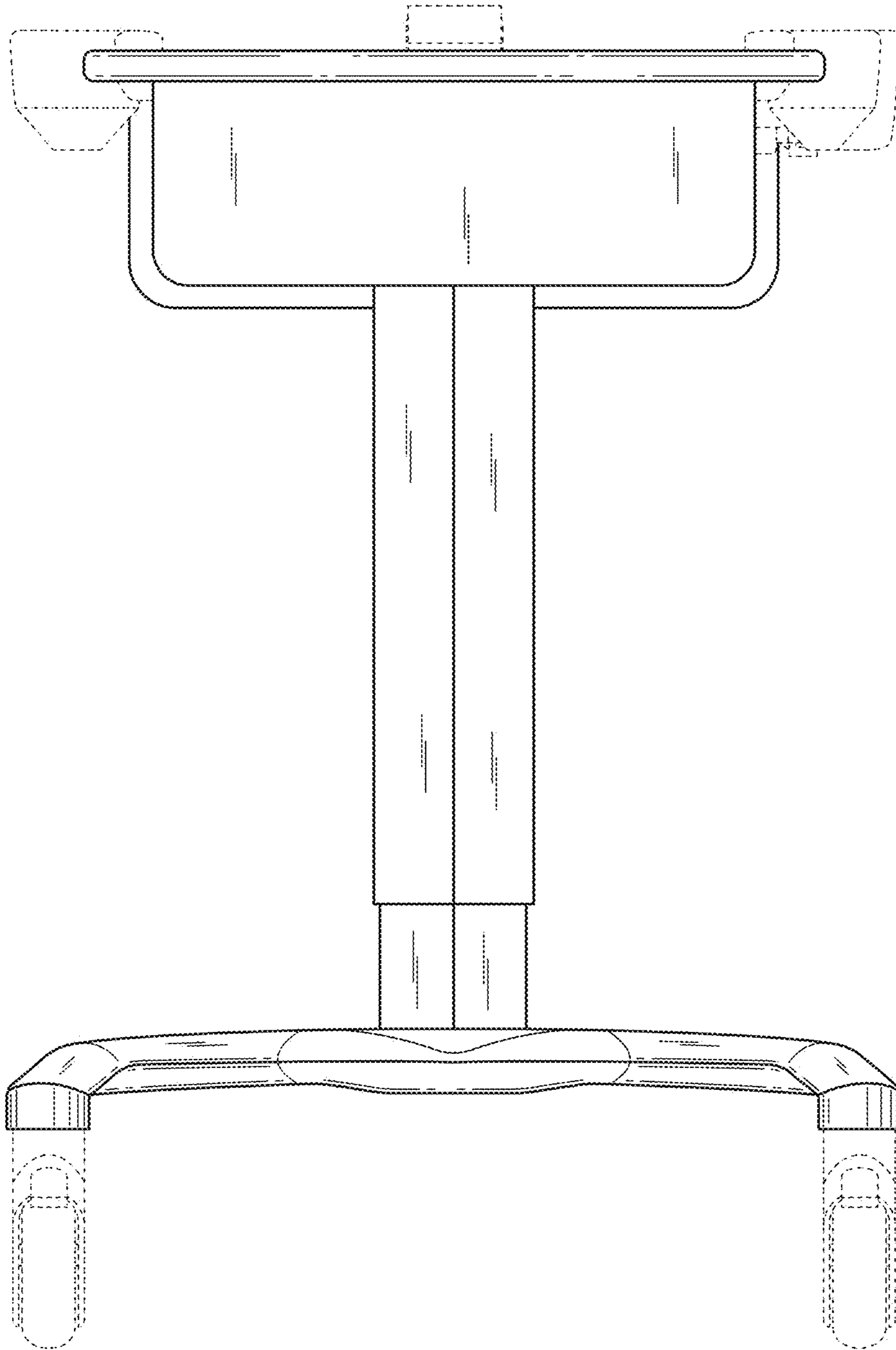


Fig. 2



**Fig. 3**

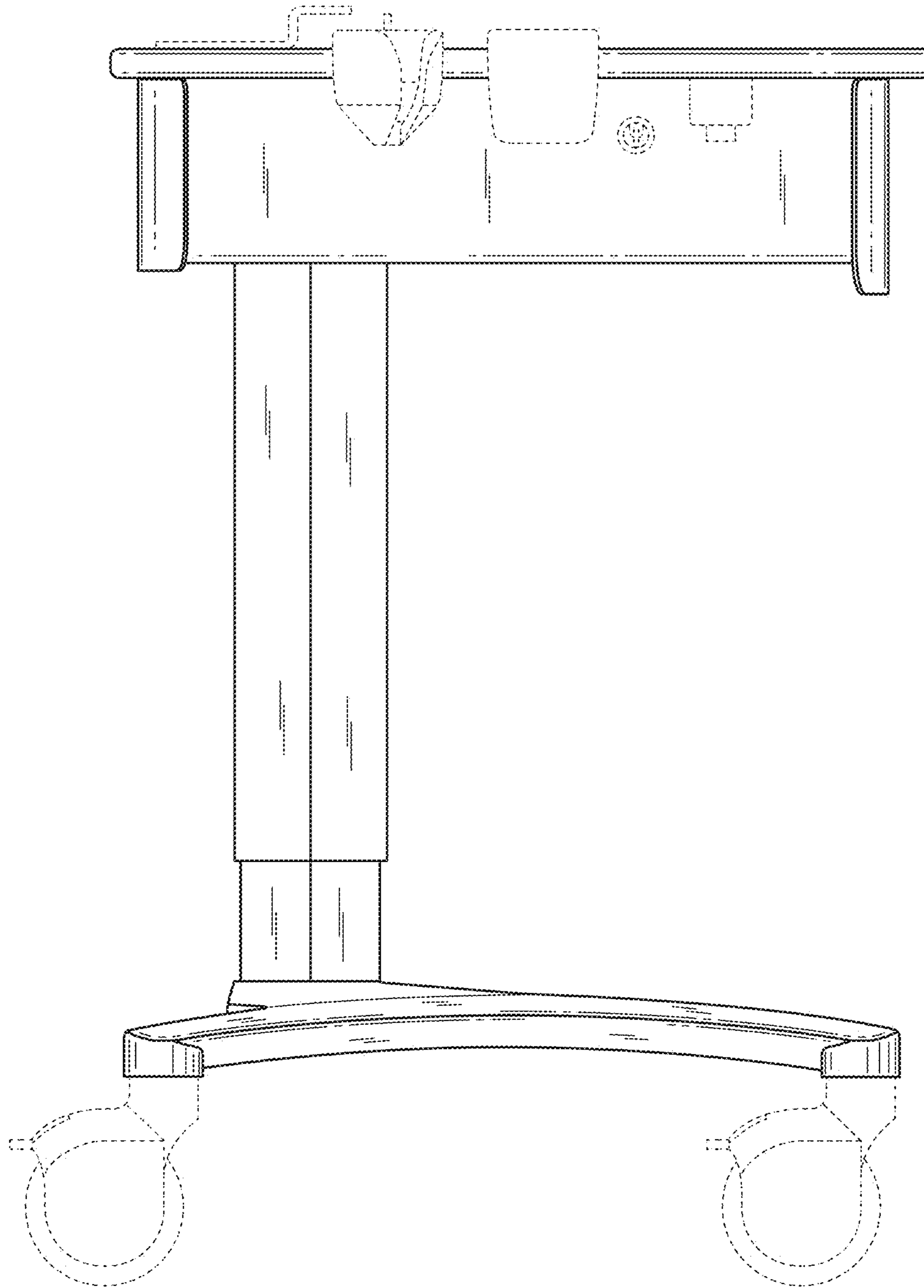


Fig. 4

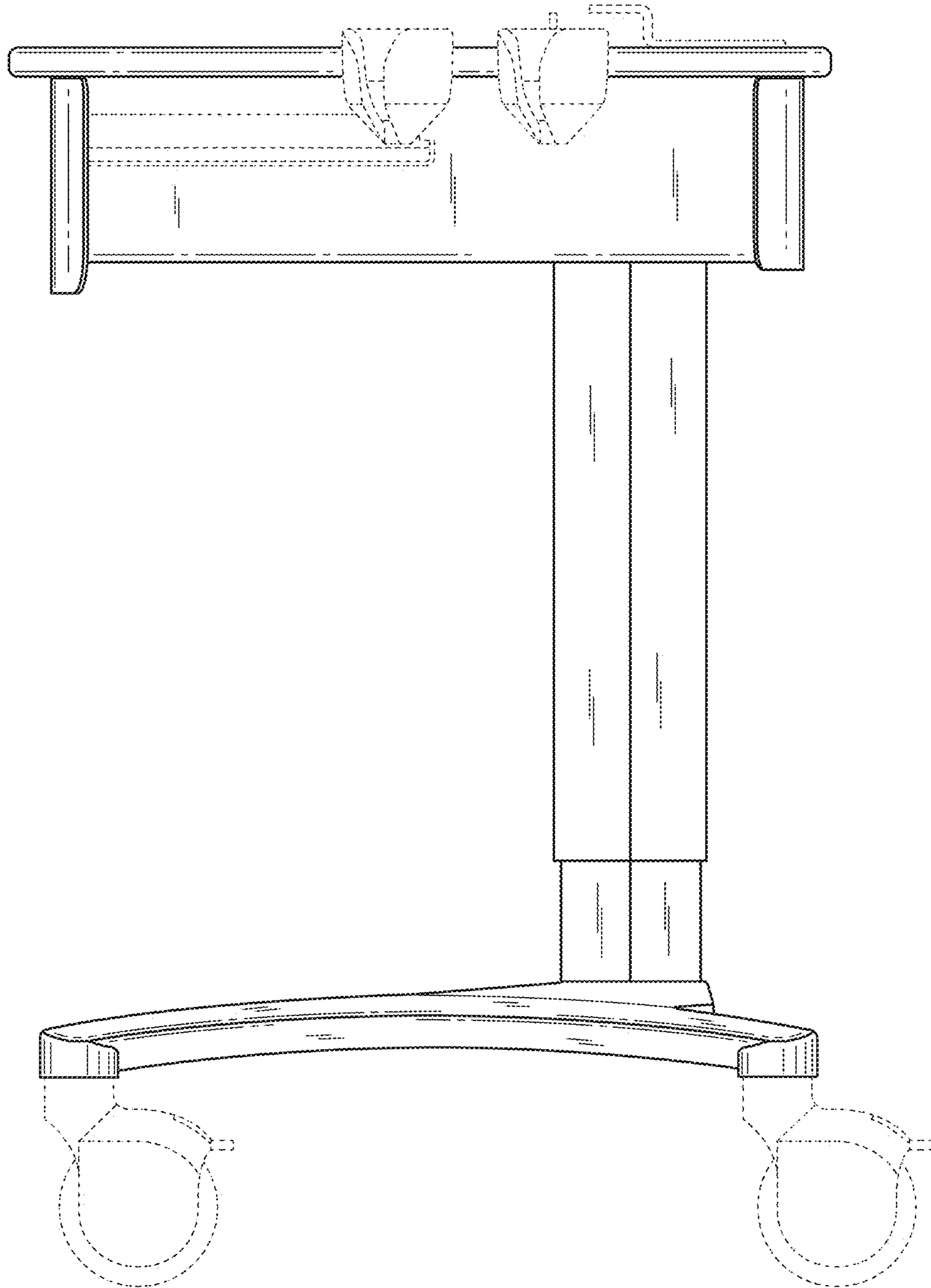


Fig. 5

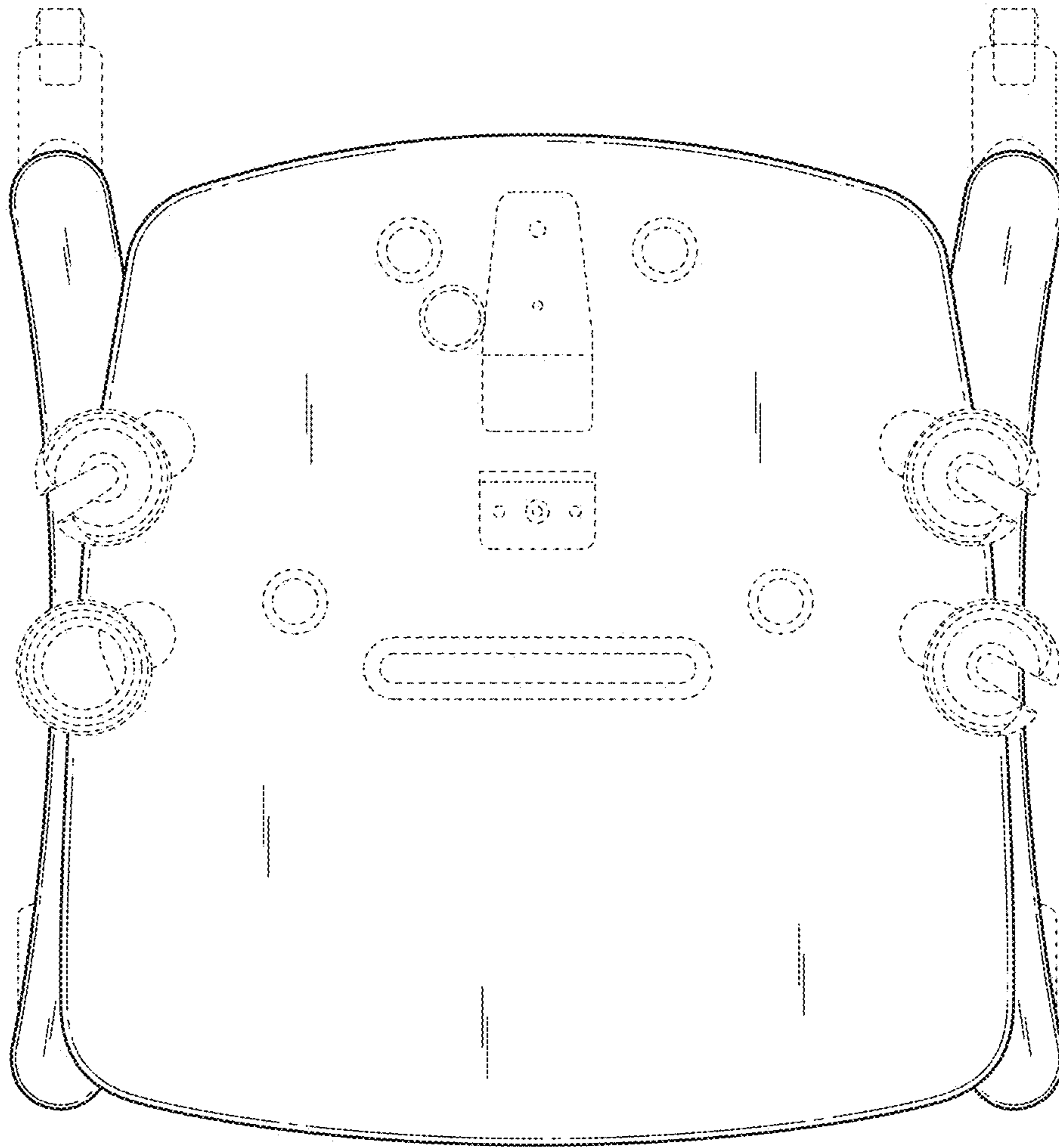


Fig. 6

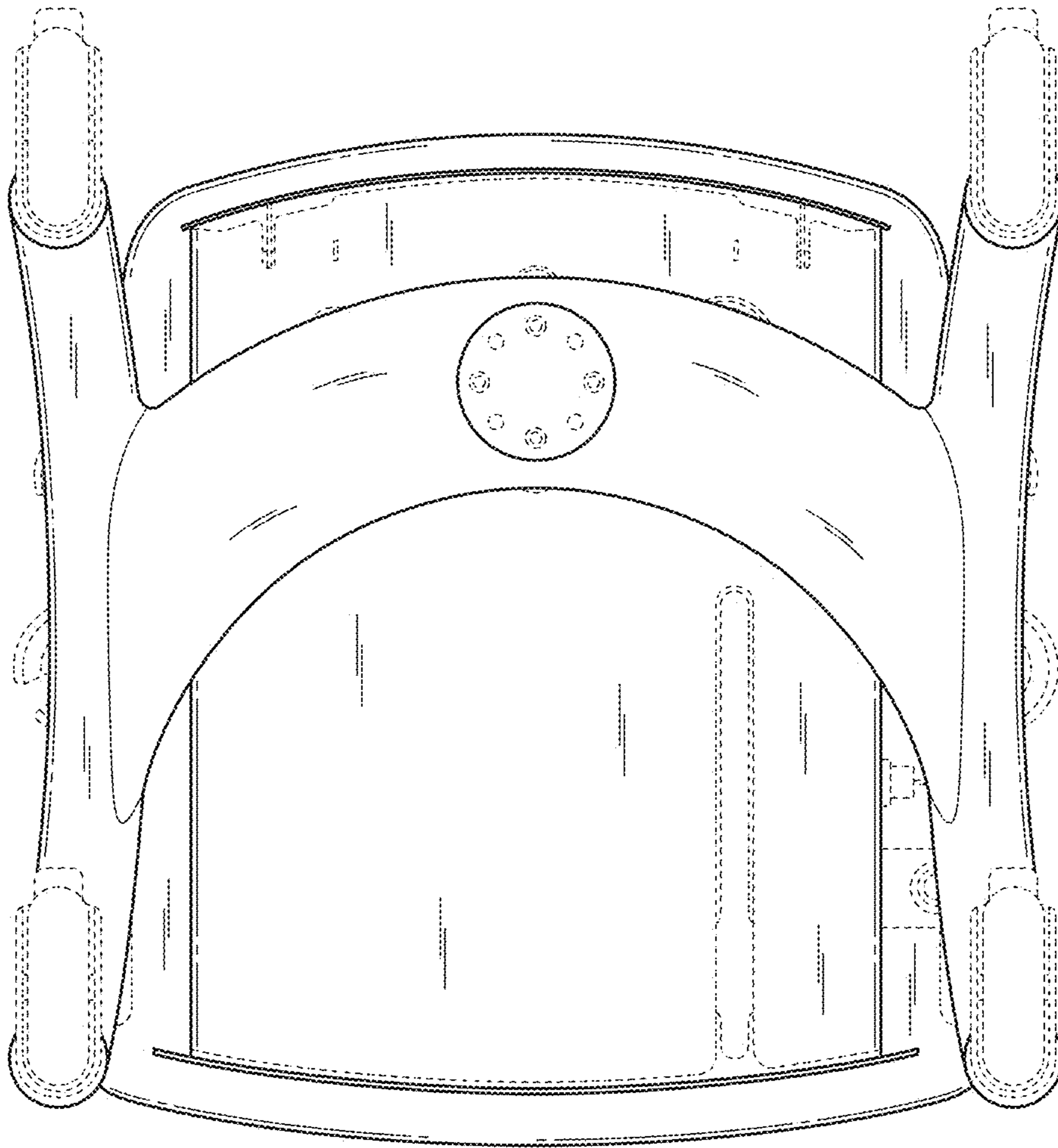


Fig. 7